



Front/Carcase	Colour code
Front Silk grey/Carcase Alpine white	AD135
Alpine white	AD317

Model information:

- Hanging cupboard in 4 widths: 140, 160, 180, 200 cm
- Shelf and door units in 2 widths: 23, 47 cm
- Bed with storage headboard
- Matching pieces (drawers with cushioned self-closing mechanism)
- Hinged door wardrobes
- Sliding door wardrobes
- Corner wardrobe

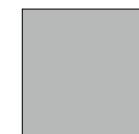


■ See rauch ORANGE accessories 1.0/1.1 for robe accessories.

Supplier: Rauch Möbelwerke GmbH



Alpine white



Silk grey



Aluminum-coloured handles



Carcase-coloured handle strips



Quality features

rauch ORANGE



Timeless
look

Attractive
front designs

Durable
product
quality

Excellent
furniture fit-
tings

comprehen-
sive acces-
sories

Quality and material



10 years rauch manufacturer's warranty.
Warranty terms and conditions on rauchmoebel.com/garantie and in information enclosed with the product.



Colour
Furniture with colour finish has an evenly attractive, hard-wearing surface.



Load-bearing capacity
The load limits for all furniture and extras can be found in the load table at: <https://qrco.de/rauch-belastungstabelle>



Raw materials from nature
In the production of the wood-based materials for our furniture, we rely exclusively on uncontaminated, fresh weak and storm wood from local, sustainable forestry operations. Strict tests by neutral institutes continuously confirm the safety of materials and processes.



The „Blue Angel“
The German government's eco-label for low-emission furniture that is harmless to health. Articles covered with textiles or artificial leather are excluded.

Award-winning and certified



Front/Carcase	Colour code
Front Silk grey/Carcase Alpine white	AD135
Alpine white	AD317

WARDROBES		Hanging cupboards			
Only for intermediate installation. Not free hanging!					
		hanging unit	overbed unit 160	hanging unit	hanging unit
		4-door	4-door	4-door	4-door
		↔149 cm †78 cm ↗41 cm	↔169 cm †78 cm ↗41 cm	↔189 cm †78 cm ↗41 cm	↔209 cm †78 cm ↗41 cm
Article	Price	8737	8787	8755	8776

WARDROBES		Shelf units		
		shelf unit	shelf unit	wardrobe section
		with 5 shelves	with 5 shelves	1-door, 3 drawers
		↔23 cm †210 cm ↗40 cm	↔47 cm †210 cm ↗40 cm	↔47 cm †210 cm ↗41 cm
Article	Price	9245	9255	9266

WARDROBES		Door elements		
		hinged door wardrobe	hinged door wardrobe	hinged door wardrobe
		1-door	1-door	1-door, 1 glass door
		↔23 cm †210 cm ↗41 cm	↔47 cm †210 cm ↗41 cm	↔47 cm †210 cm ↗41 cm
Article	Price	9258	9259	9264

MEMPHIS

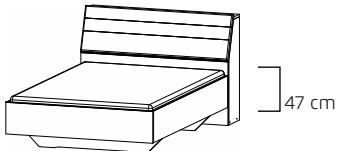
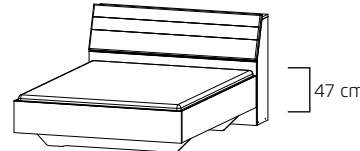
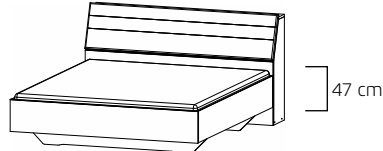
rauch ORANGE

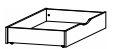
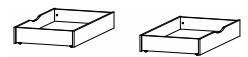
Purchase Price List
Prices = invoice prices in Euro



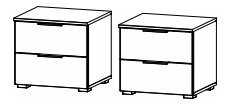

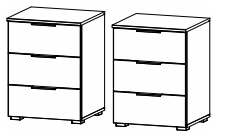
23.02.2024 SB
valid from 01.04.2024 until revoked






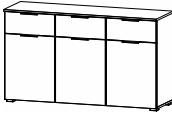
Front/Carcase	Colour code
Front Silk grey/Carcase Alpine white	AD135
Alpine white	AD317

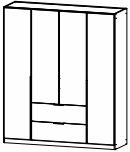

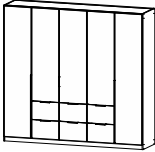

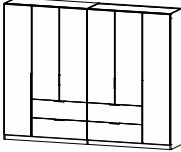
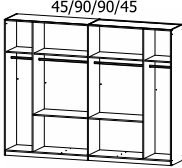
BEDS		Beds, Headboard with faux leather padding. White.		
<ul style="list-style-type: none"> • Bed side height = 47 cm • Slatted frame can be adjusted to 3 different heights • Inlet depths (Upper edge of bed side to support height): - 13,8 cm 				
	bed	bed	bed	
	headboard padding	headboard padding, for fabric box	headboard padding	
	140/200 ↔145 cm †102 cm ↗235 cm BG 40	160/200 ↔165 cm †102 cm ↗235 cm BG 60	180/200 ↔185 cm †102 cm ↗235 cm BG 80	
Article	Price	8116	8160	8117

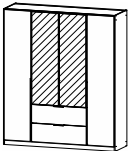

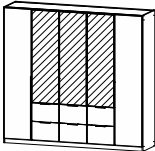
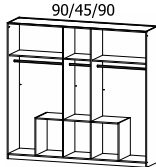
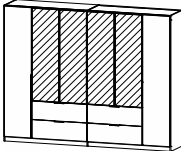

BEDS		Extras for beds		
				
	bedding box on rollers	pair of bedding boxes		
	↔59 cm †16 cm ↗108 cm	↔59 cm †16 cm ↗108 cm		
Article	Price	9901	9961	

MATCHING PIECES					
					
	bedside table	bedside tables, pair	bedside table	bedside tables, pair	
	2 drawers	2 drawers	3 drawers	3 drawers	
	↔47 cm †43 cm ↗42 cm	↔47 cm †43 cm ↗42 cm	↔47 cm †62 cm ↗42 cm	↔47 cm †62 cm ↗42 cm	
Article	Price	636Z	637B	637C	637D

Front/Carcase	Colour code
Front Silk grey/Carcase Alpine white	AD135
Alpine white	AD317

MATCHING PIECES			
			
	chest 4 drawers	chest 2-door, 2 drawers	chest 3-door, 3 drawers
	↔47 cm †81 cm ↗42 cm	↔93 cm †81 cm ↗42 cm	↔140 cm †81 cm ↗42 cm
	Article Price 638N	645R	675G

WARDROBES			Hinged door wardrobes			
See rauch ORANGE ACCESSORIES 1.0 for robe accessories.						
	hinged door wardrobe 4-door, 2 drawers	45/90/45	hinged door wardrobe 5-door, 6 drawers	90/45/90	hinged door wardrobe 6-door, 4 drawers	45/90/90/45
	↔181 cm †210 cm ↗54 cm		↔226 cm †210 cm ↗54 cm		↔271 cm †210 cm ↗54 cm	
	Article Price 42D4		4K53		42D6	

WARDROBES			Hinged door wardrobes			
See rauch ORANGE ACCESSORIES 1.0 for robe accessories.						
	hinged door wardrobe 4-door, 2 mirror doors, 2 drawers, mirror/glass	45/90/45	hinged door wardrobe 5-door, 3 mirror doors, 6 drawers, mirror/glass	90/45/90	hinged door wardrobe 6-door, 4 mirror doors, 4 drawers	45/90/90/45
	↔181 cm †210 cm ↗54 cm		↔226 cm †210 cm ↗54 cm		↔271 cm †210 cm ↗54 cm	
	Article Price 5379		5K38		5398	

MEMPHIS

rauch ORANGE

Purchase Price List
Prices = invoice prices in Euro

23.02.2024 SB
valid from 01.04.2024 until revoked



Front/Carcase	Colour code
Front Silk grey/Carcase Alpine white	AD135
Alpine white	AD317

NOTE!
Design constraints necessitate a shelf thickness of 2.2 cm on unit widths of 112.5 cm.

WARDROBES		Sliding door wardrobes							
<p>See rauch ORANGE ACCESSORIES 1.1 for robe accessories.</p>					<p>NOTE! If a sliding-door robe is added to a hinged-door robe or a corner robe, the compensating profile 9R10 must always be mounted between the wardrobes!</p>				
						sliding door wardrobe	sliding door wardrobe	sliding door wardrobe	compensating profile
						2-door	2-door	2-door	
	↔181 cm †210 cm ↗62 cm	↔226 cm †210 cm ↗62 cm	↔271 cm †210 cm ↗62 cm	↔2 cm †210 cm ↗12 cm					
Article	Price	4805	4852	4808	9R10				

WARDROBES		Sliding door wardrobes							
<p>See rauch ORANGE ACCESSORIES 1.1 for robe accessories.</p>					<p>NOTE! If a sliding-door robe is added to a hinged-door robe or a corner robe, the compensating profile 9R10 must always be mounted between the wardrobes!</p>				
						sliding door wardrobe	sliding door wardrobe	sliding door wardrobe	compensating profile
						2-door, 1 mirror door, mirror/glass partially laid	2-door, 1 mirror door, mirror/glass partially laid	2-door, 1 mirror door	
	↔181 cm †210 cm ↗62 cm	↔226 cm †210 cm ↗62 cm	↔271 cm †210 cm ↗62 cm	↔2 cm †210 cm ↗12 cm					
Article	Price	54J2	54J6	53J3	9R10				

WARDROBES		Corner wardrobe							
<p>See next page for space required.</p> <p>Corner combinations can only be fitted in conjunction with a corner robe!</p>									
						hinged door corner robe	hinged door corner robe	hinged door corner robe	hinged door corner robe
						1-door, hinged right	1-door, hinged right, 1 mirror door	2-door	2-door, 2 mirror doors
	↔87 cm †210 cm ↗74 cm	↔87 cm †210 cm ↗74 cm	↔119 cm †210 cm ↗106 cm	↔119 cm †210 cm ↗106 cm					
Article	Price	03C7	03C9	03C6	03C8				

WARDROBES		Space required for corner robe
	<p>Maße in mm.</p>	<p>Maße in mm.</p>
Description	Space required for corner robe Art. no. 03C7/03C9	Space required for corner robe Art. no. 03C6/03C8