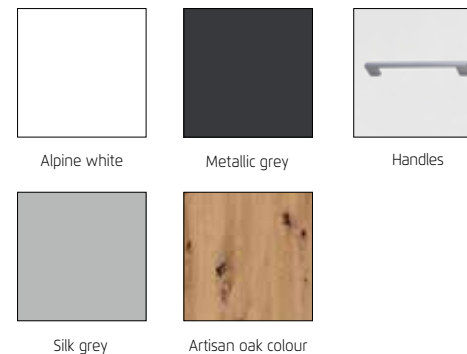




| Front/Carcase, Applications   | Colour code    |                         |
|---|----------------|-------------------------|
|   | App. Silk grey | App. Artisan oak colour |
| Metallic grey (metallic grey handles and handle strips)               | -              | AC104                   |
| Alpine white (aluminium-coloured handles, alpine white handle strips) | AD159          | AC105                   |



■ See rauch ORANGE ACCESSORIES 1.1 for robe accessories.

Supplier: Rauch Möbelwerke GmbH

# Quality features

rauch ORANGE



Interior colour  
Texline  
colour



EASY  
SLIDE

Metal guide  
rails



Drawers  
on silent  
ball-bearing  
runners



Optional  
dampers for  
hinged and  
sliding doors



The following space is required to mount the wardrobe:  
wardrobe height + min. 15 cm,  
wardrobe width + min. 15 cm on each side.



For extras, see  
rauch ORANGE  
Accessories 11.

Timeless look

Attractive front designs

Durable product quality

Excellent furniture fittings

comprehensive accessories

## Quality and material



**10 years rauch manufacturer's warranty.**  
Warranty terms and conditions on [rauchmoebel.com/garantie](http://rauchmoebel.com/garantie) and in information enclosed with the product.



**Colour**  
Furniture with colour finish has an evenly attractive, hard-wearing surface.



**Load-bearing capacity**  
The load limits for all furniture and extras can be found in the load table at: <https://qrco.de/rauch-belastungstabelle>



**Raw materials from nature**  
In the production of the wood-based materials for our furniture, we rely exclusively on uncontaminated, fresh weak and storm wood from local, sustainable forestry operations. Strict tests by neutral institutes continuously confirm the safety of materials and processes.

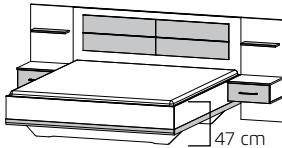
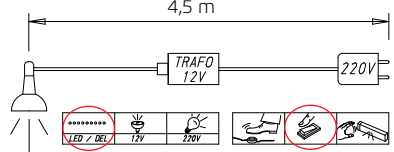

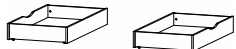




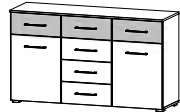
**The „Blue Angel“**  
The German government's eco-label for low-emission furniture that is harmless to health. Articles covered with textiles or artificial leather are excluded.

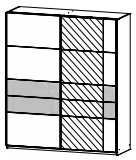
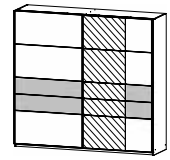
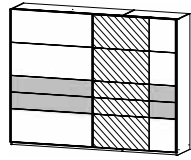
## Award-winning and certified



| Front/Carcase, Applications                             | Colour code    |                         |
|---|----------------|-------------------------|
|   | App. Silk grey | App. Artisan oak colour |
| Metallic grey (metallic grey handles and handle strips) | -              | AC104                   |
| Alpine white (aluminium-coloured handles, alpine white) | AD159          | AC105                   |

| BEDS  |  | Combination consisting of bed and 2 bedside tables.   |   |   |   |   |   |  |         |       |             |
|---|--|---|---|---|---|---|---|--|---------|-------|-------------|
| <ul style="list-style-type: none"> <li>• Bed side height = 47 cm</li> <li>• Slatted frame can be adjusted to 3 different heights</li> <li>• Inlet depths (Upper edge of bed side to support height):<br/>- 13,8 cm<br/>- 15,4 cm</li> </ul> |  <p>47 cm</p> |  <p>4,5 m</p> <p>TRAF0 12V 220V</p> <p>*****<br/>LED 7 BEL 12V 220V</p> |  |  | <p>bed combination with lighting, with panel lighting</p> <p>160/200 ↔259 cm †107 cm ↗207 cm <b>BG 60</b></p> <p>180/200 ↔279 cm †107 cm ↗207 cm <b>BG 80</b></p> | <p>This product contains a light source of the energy efficiency class E.</p> <p>EPREL 766774</p> | <p>bedding box on rollers</p> <p>↔59 cm †16 cm ↗108 cm</p> <p><b>9901</b></p> | <p>pair of bedding boxes</p> <p>↔59 cm †16 cm ↗108 cm</p> <p><b>9961</b></p> |         |       |             |
|   |  |   |   |   |   |   |   |  | Article | Price | <b>03C0</b> |

| MATCHING PIECES   |   |   |   |   |  |         |       |             |             |             |
|---|---|---|---|---|--|---------|-------|-------------|-------------|-------------|
|  | <p>chest</p> <p>4 drawers</p> <p>↔47 cm †81 cm ↗42 cm</p> |  | <p>chest</p> <p>2-door, 2 drawers</p> <p>↔93 cm †81 cm ↗42 cm</p> |  | <p>chest</p> <p>2-door, 6 drawers</p> <p>↔140 cm †81 cm ↗42 cm</p> |         |       |             |             |             |
|   |   |   |   |   |  | Article | Price | <b>637F</b> | <b>639H</b> | <b>674D</b> |

| WARDROBES  |  |  |   |  |  | <p><b>*NOTE!</b><br/>Design constraints necessitate a shelf thickness of 2.2 cm on unit widths of 112.5 cm.</p> |  |         |       |             |             |             |
|--|--|--|---|--|--|---|--|---------|-------|-------------|-------------|-------------|
| <p>See rauch ORANGE ACCESSORIES 1.1 for robe accessories.</p> <p><b>EASY SLIDE</b></p> |  <p>90/90</p> |  <p>112,5/112,5</p> |  <p>90/90/90</p> | <p>sliding door wardrobe</p> <p>2-door, 1 mirror door, mirror/glass partially laid</p> <p>↔181 cm †210 cm ↗62 cm</p> | <p>sliding door wardrobe</p> <p>2-door, 1 mirror door, mirror/glass partially laid</p> <p>↔226 cm †210 cm ↗62 cm</p> |   | <p>sliding door wardrobe</p> <p>2-door, 1 mirror door, mirror/glass partially laid</p> <p>↔271 cm †210 cm ↗62 cm</p> |         |       |             |             |             |
|  |  |  |   |  |  |   |  | Article | Price | <b>5500</b> | <b>5544</b> | <b>5551</b> |

# BOSTON EXTRA

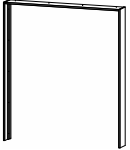


rauch ORANGE

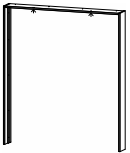
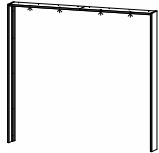
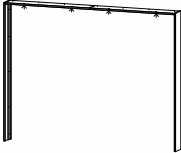
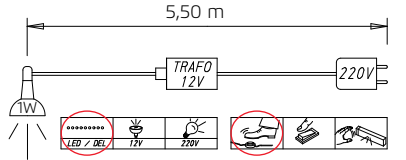
Purchase Price List  
Prices = invoice prices in Euro

23.02.2024 SB  
valid from 01.04.2024 until revoked



| Front/Carcase | Colour code   |
|---------------|---------------|
| Metallic grey | AC104         |
| Alpine white  | AD159 / AC105 |

| WARDROBES  |   | Passepartouts   |   |  |
|--|---|---|---|--|
| Total depth of wardrobe and passepartout:<br>↗ 64 cm |  |  |  |  |
|  | passepartout<br>for sliding wardrobe 180 cm                                       | passepartout<br>for sliding wardrobe 225 cm                                       | passepartout<br>for sliding wardrobe 270 cm   |  |
|  | ↔189 cm †214 cm ↗23 cm  | ↔233 cm †214 cm ↗23 cm  | ↔278 cm †214 cm ↗23 cm  |  |
|  | Article   | Price   | <b>9P2P</b>   |  |

| WARDROBES  |   | Passepartouts with lighting.  |   |   |
|--|---|---|---|---|
| Total depth of wardrobe and passepartout:<br>↗ 64 cm |  |  |  |  <p>This product contains a light source of the energy efficiency class G.</p> |
|  | passepartout<br>with lighting, for sliding wardrobe 180 cm                        | passepartout<br>with lighting, for sliding wardrobe 225 cm                        | passepartout<br>with lighting, for sliding wardrobe 270 cm                          |   |
|  | ↔189 cm †214 cm ↗23 cm  | ↔233 cm †214 cm ↗23 cm  | ↔278 cm †214 cm ↗23 cm  |   |
|  | Article   | Price   | <b>9P2L</b>   |   |