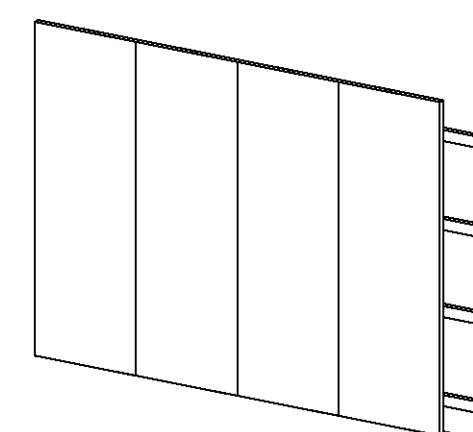
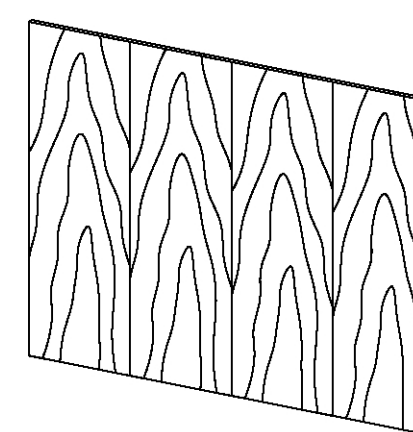
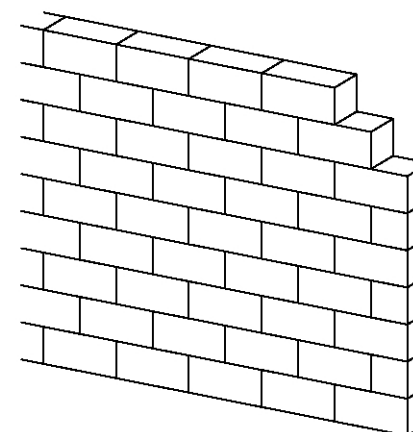
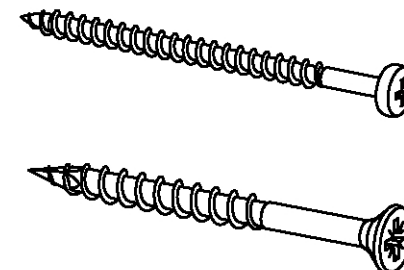
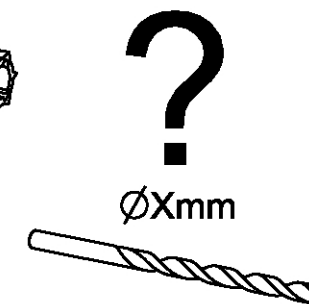
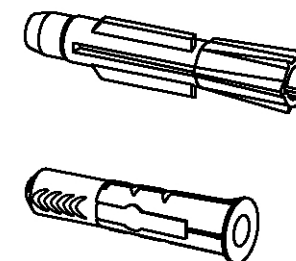
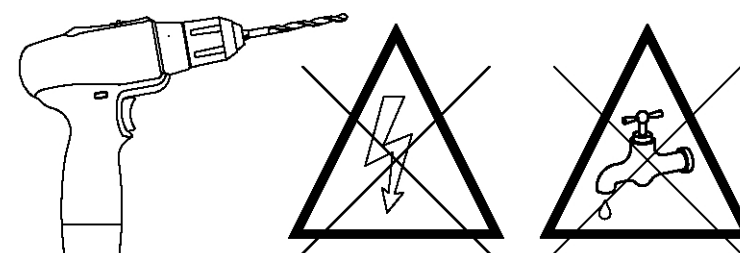
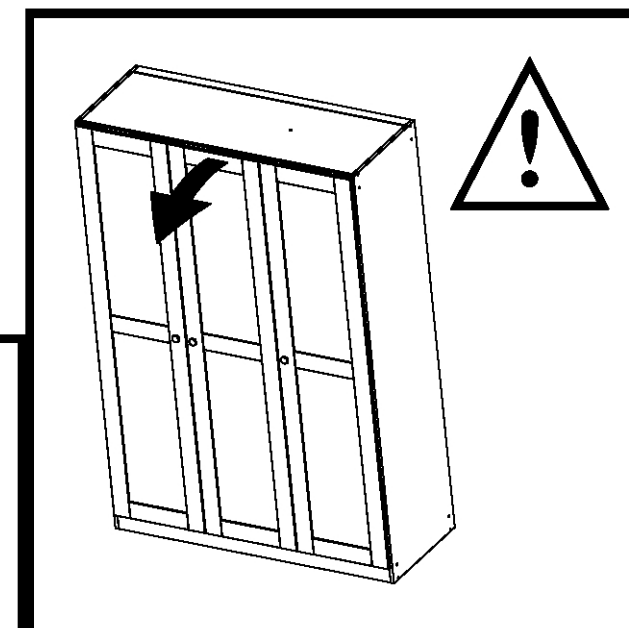
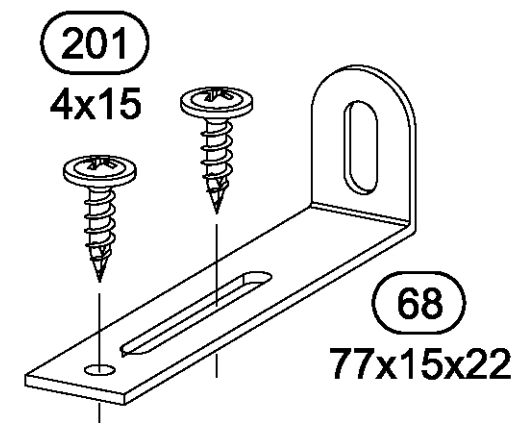
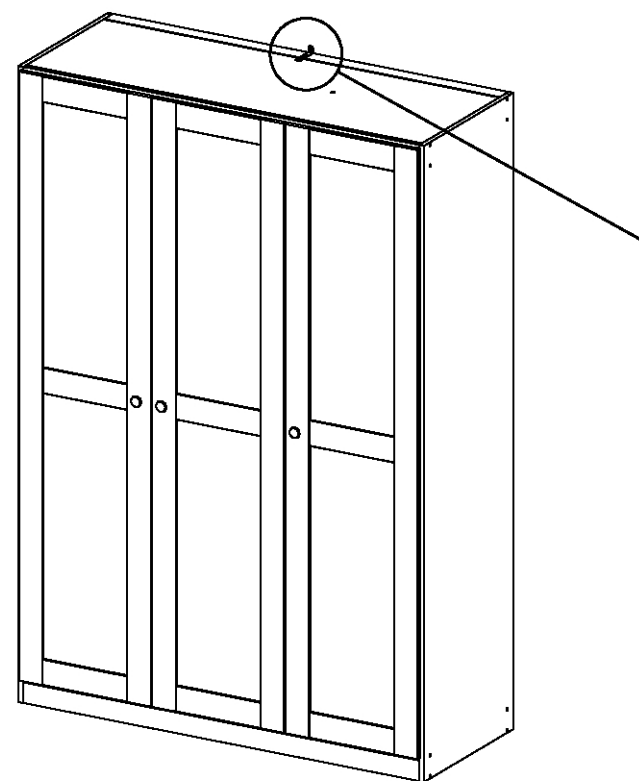
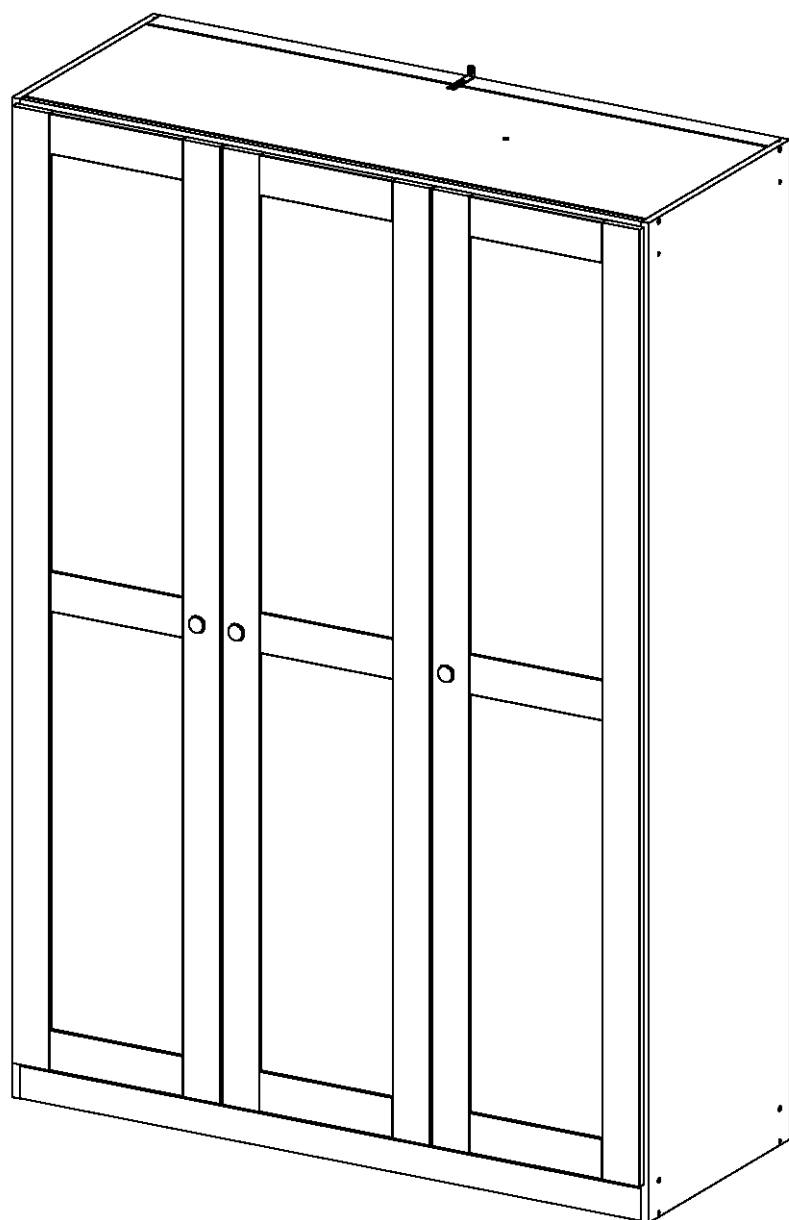
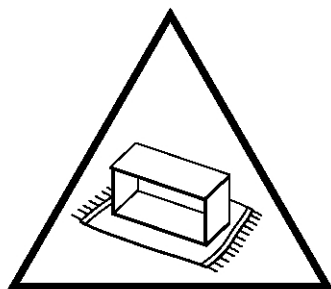
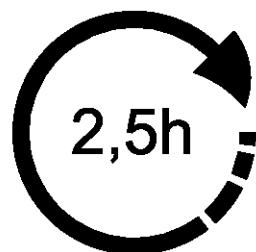
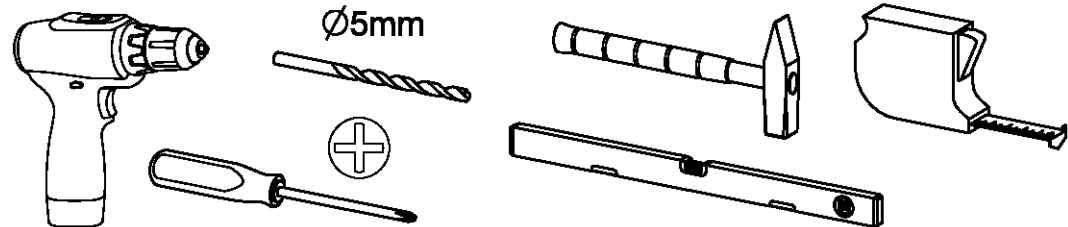
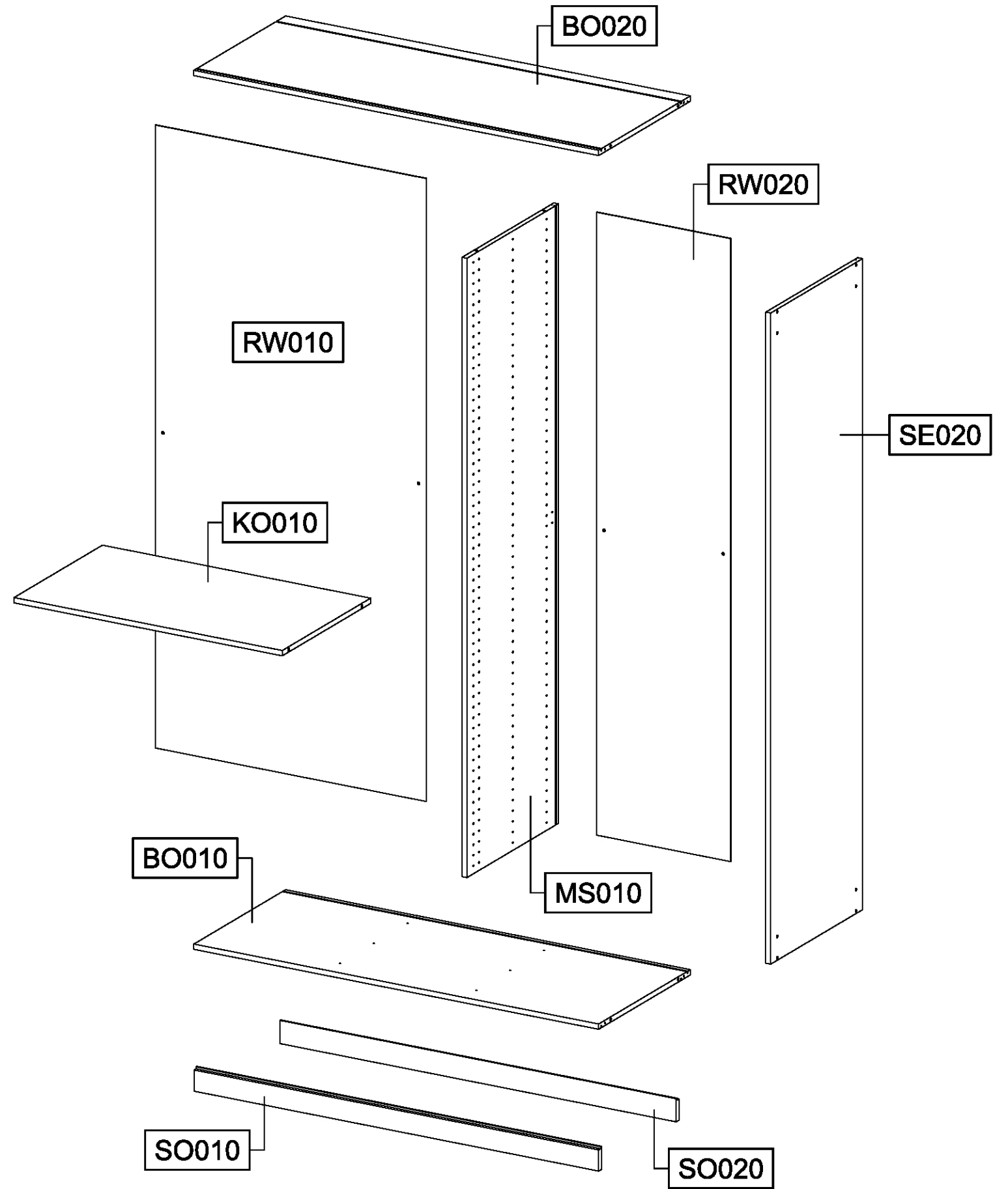
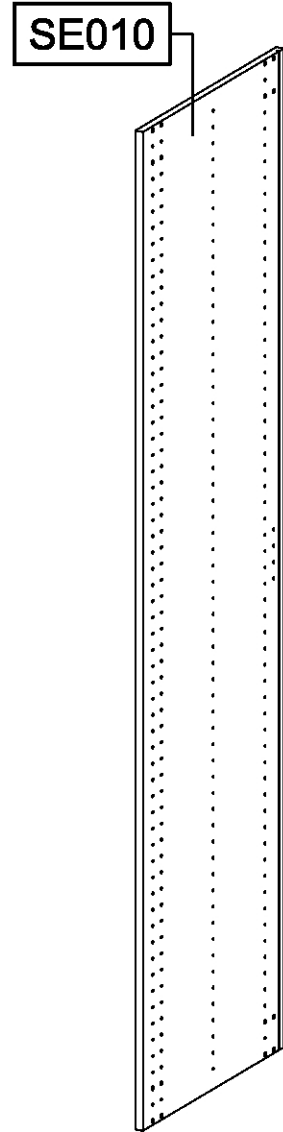
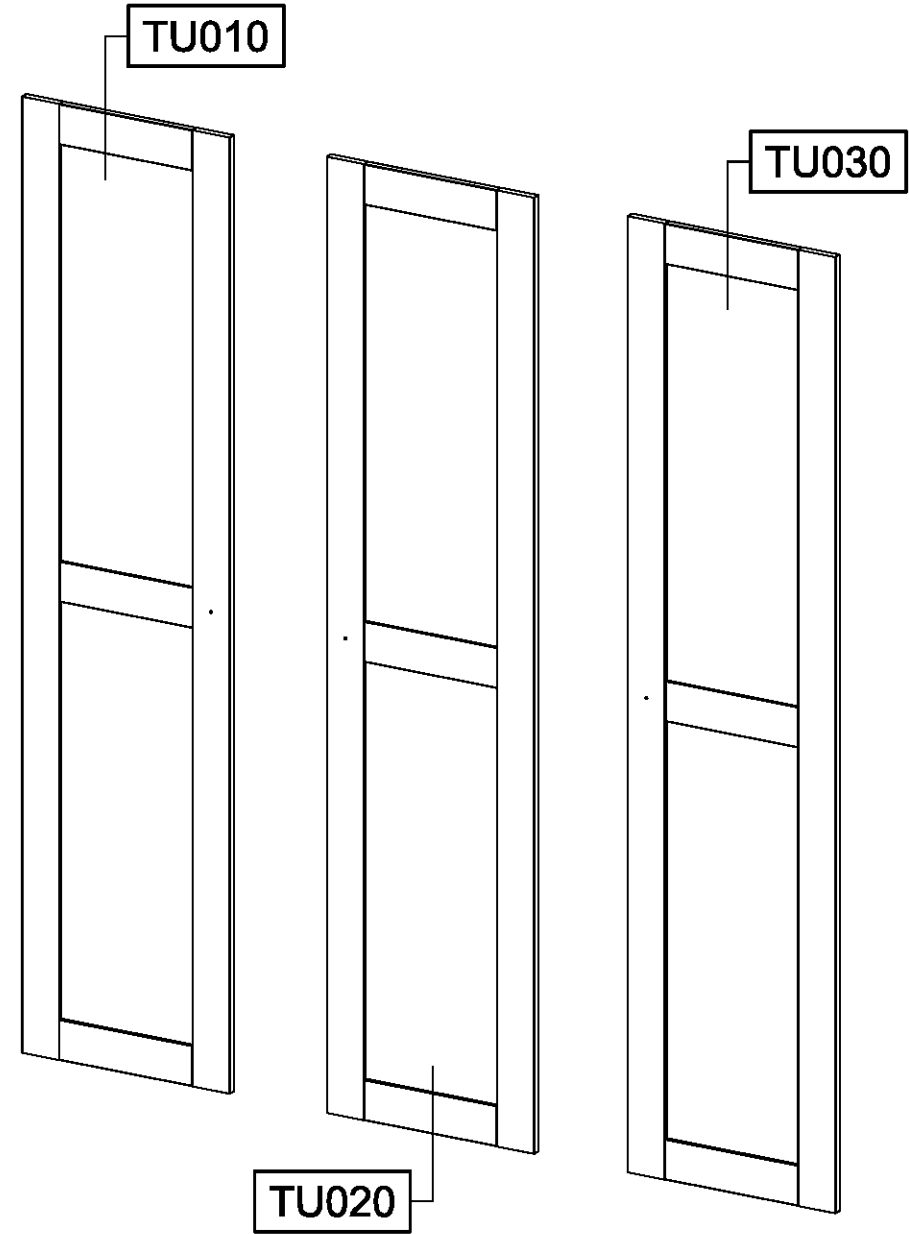


M2376_03

rauch





<p>4x</p> <p>① </p>	<p>⑪ </p>	<p>2x</p> <p>55x16x6,2</p> <p>⑫ </p>	
<p>8x</p> <p>8x30</p> <p>⑱ </p>	<p>9x</p> <p>⑪⑥ </p>		
<p>8x</p> <p>6,3x50</p> <p>⑳③③ </p>	<p>4x</p> <p>5,0x7,0</p> <p>⑳④⑨ </p>	<p>4x</p> <p>⑳⑦④ </p>	
<p>1x</p> <p>4,5x50</p> <p>⑳⑨⑥ </p>	<p>4x</p> <p>6,5x12</p> <p>⑳⑦⑨ </p>	<p>4x</p> <p>⑳⑧⑦ </p>	
<p>1x</p> <p>RE010 </p>			
<p> </p>			

①

BO010

SO010 SO020

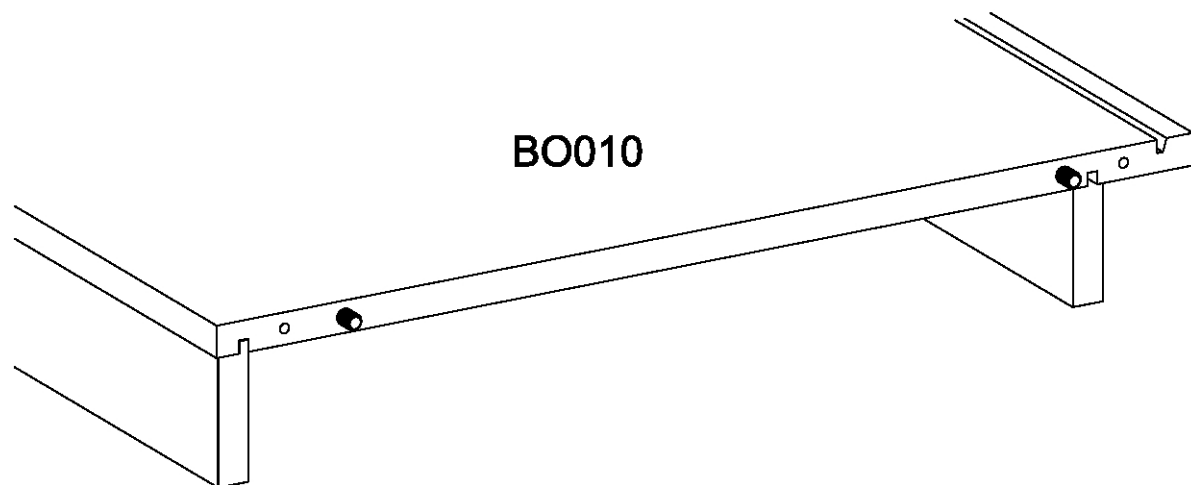
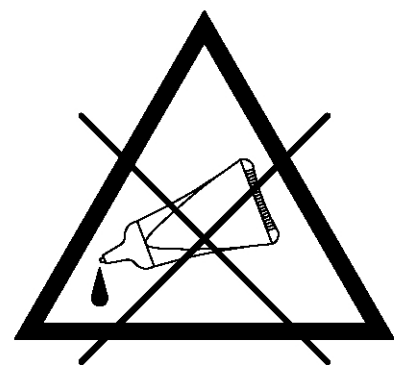
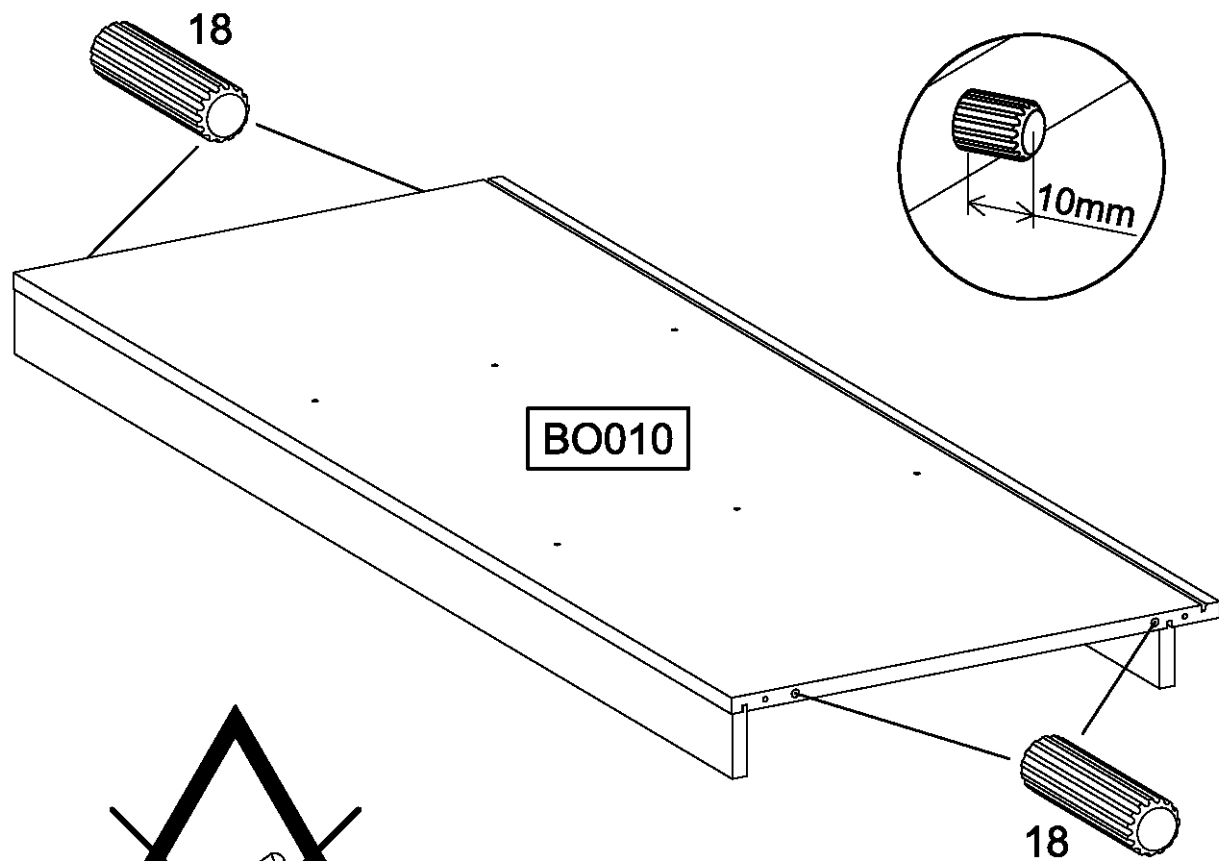
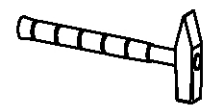
SO010 SO020

BO010

20
Min

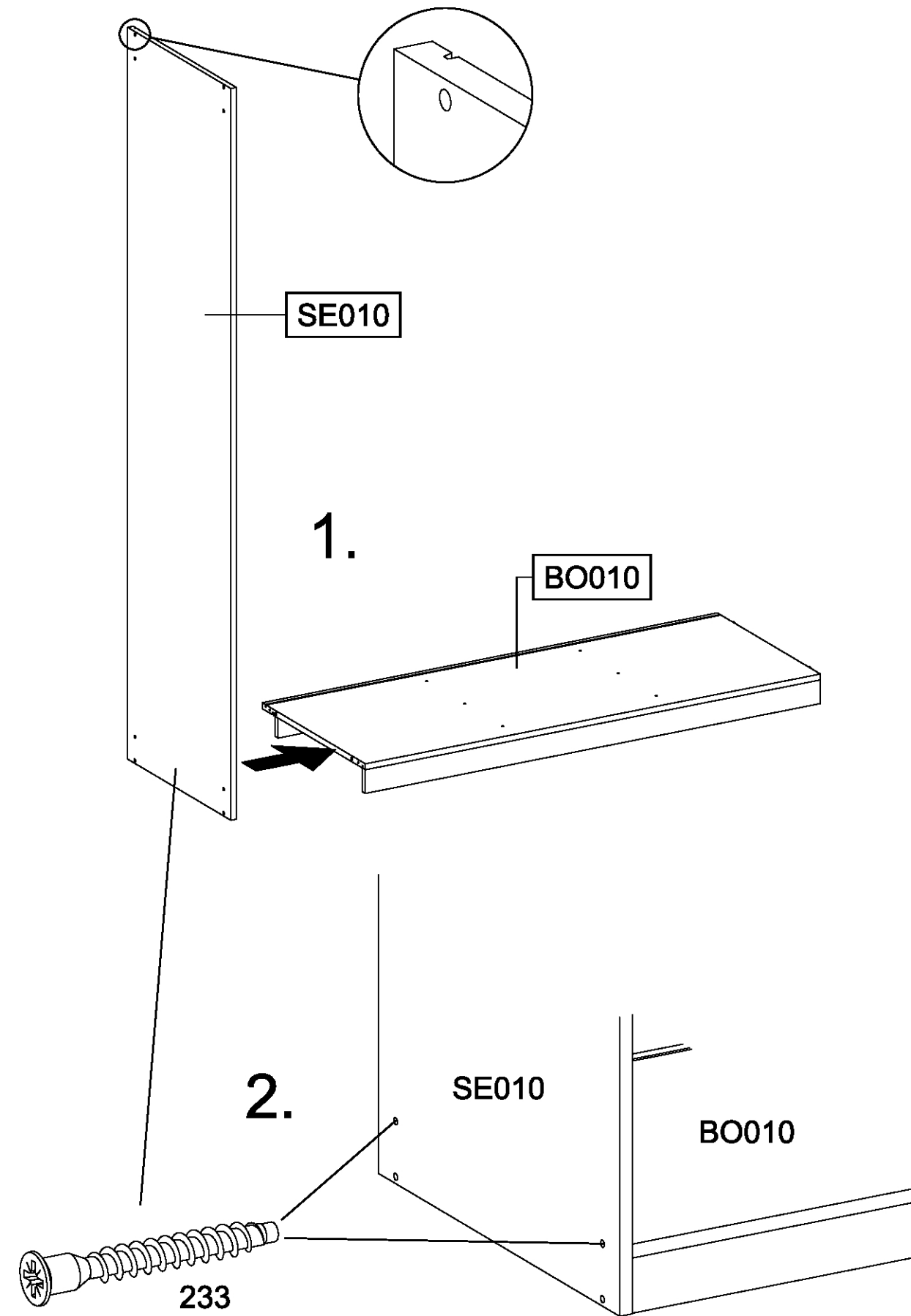
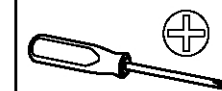
2

4x 18 8x30



3

2x 233 6,3x50



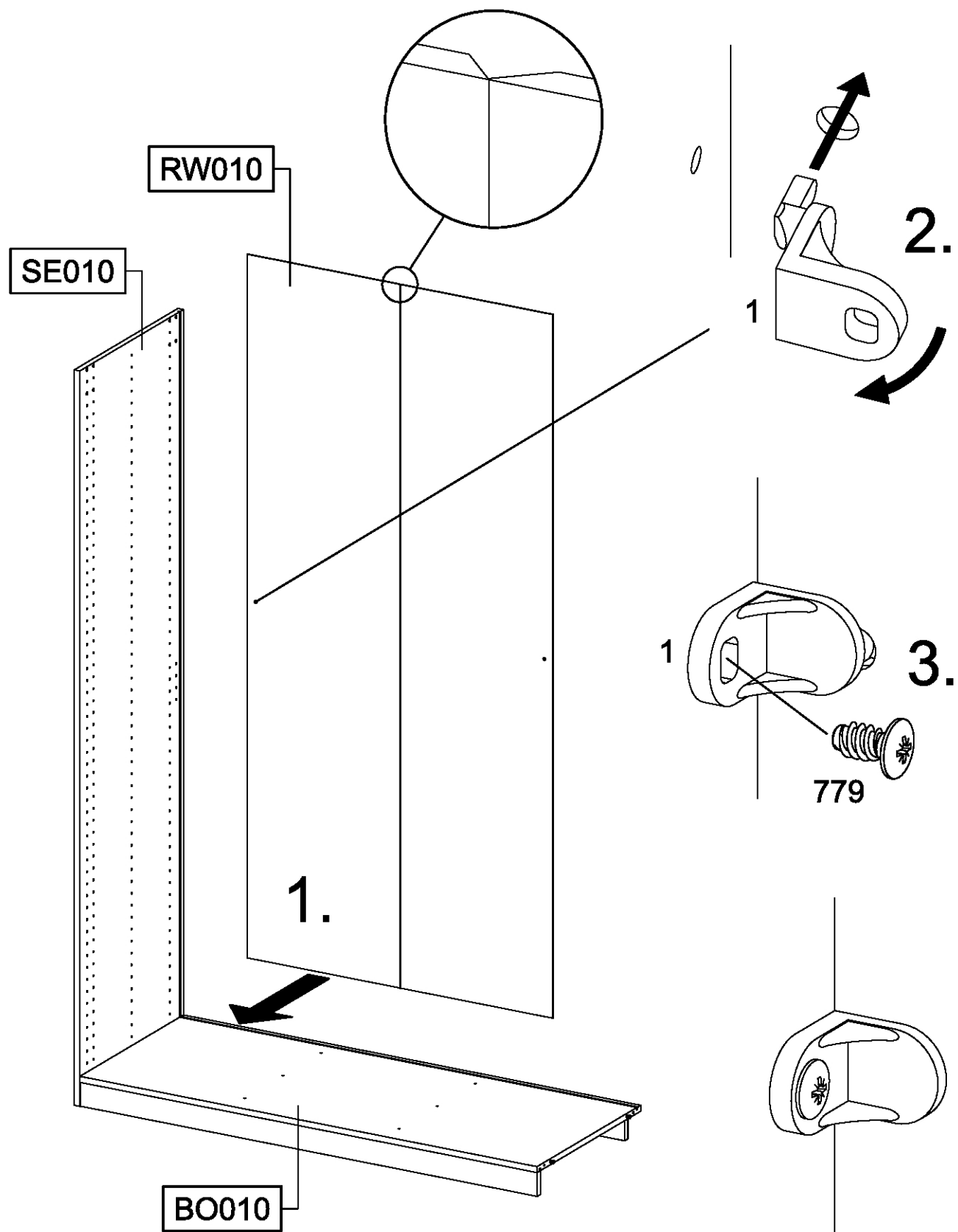
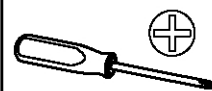
4

1x ①



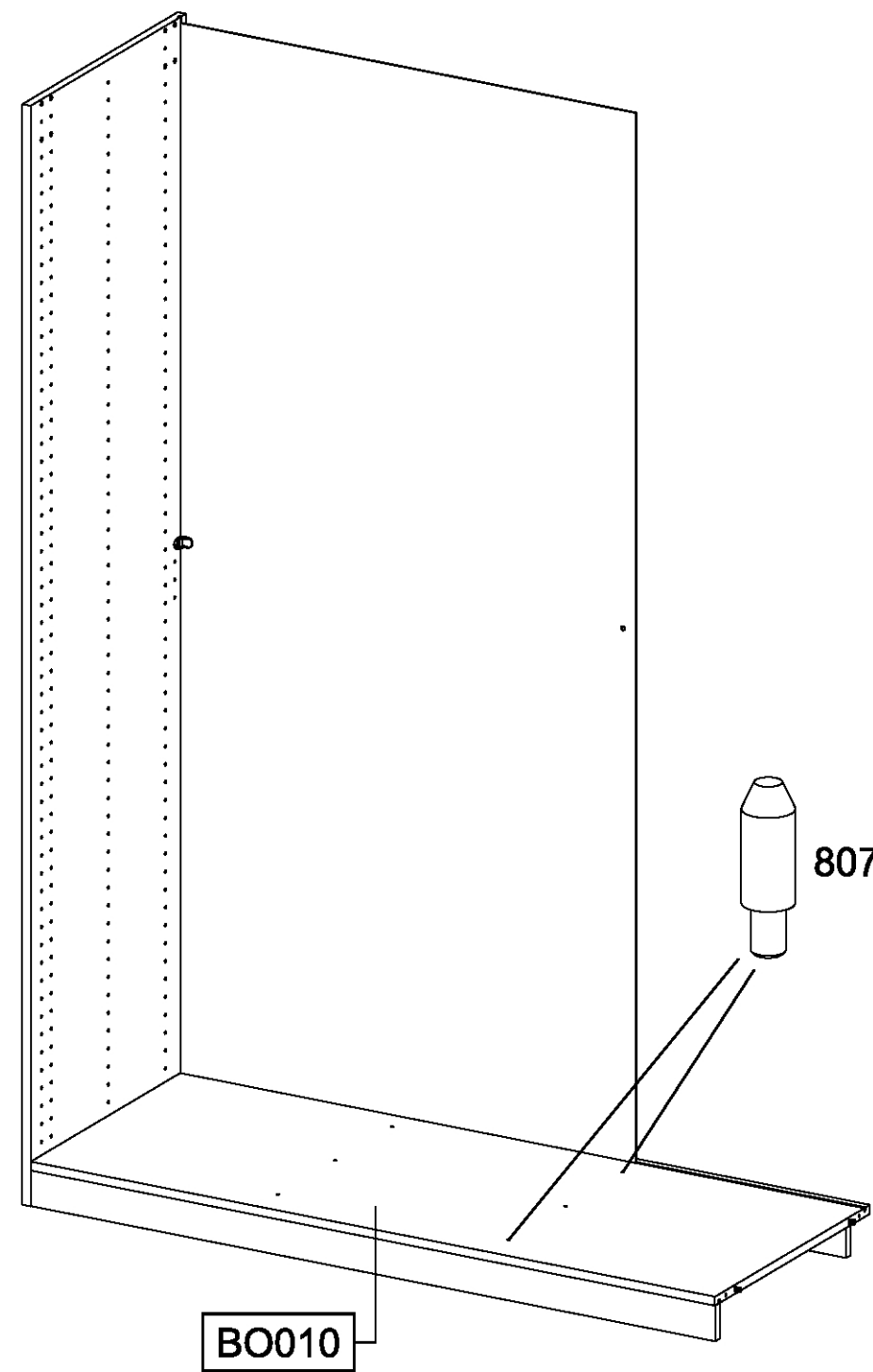
1x ②

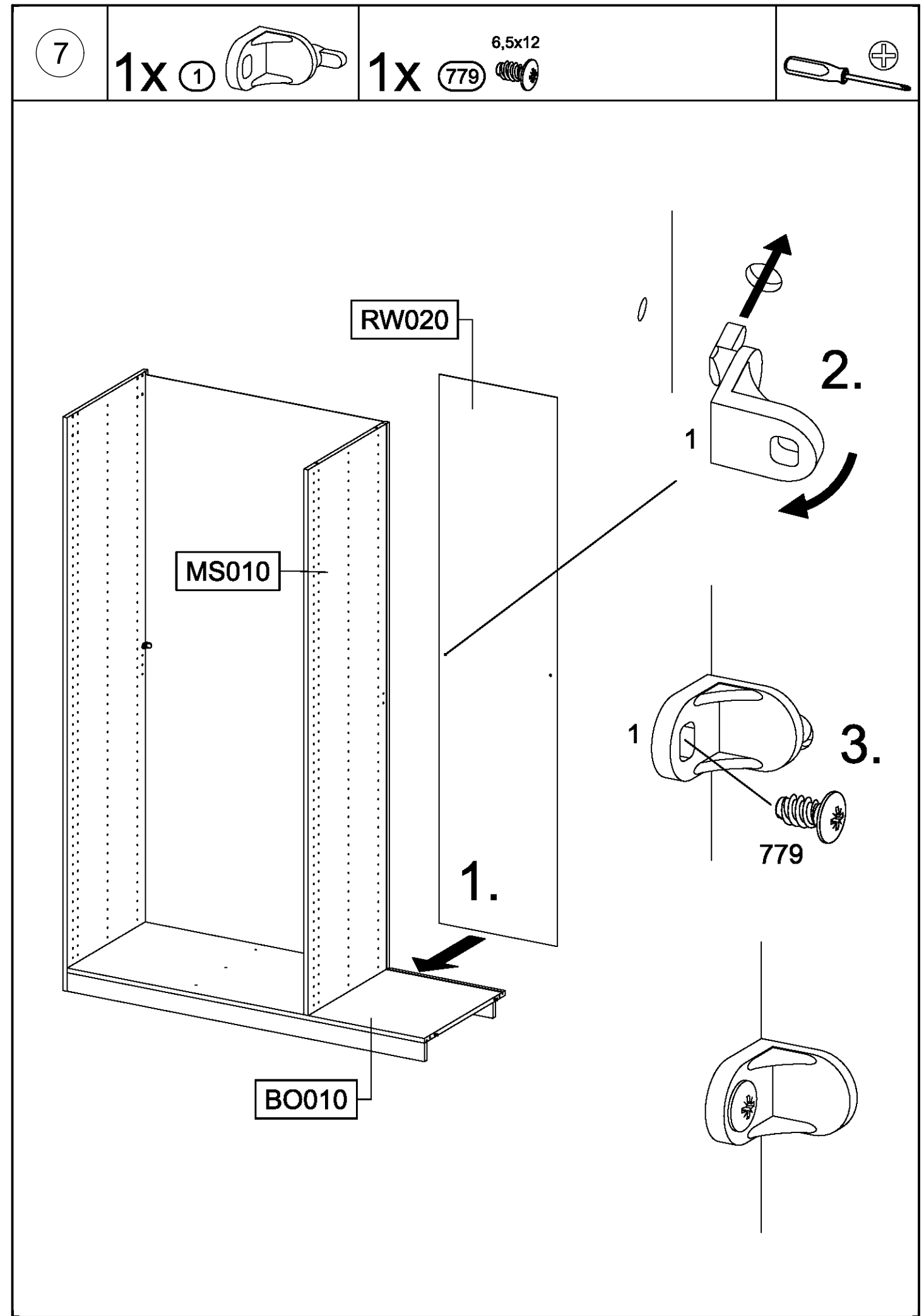
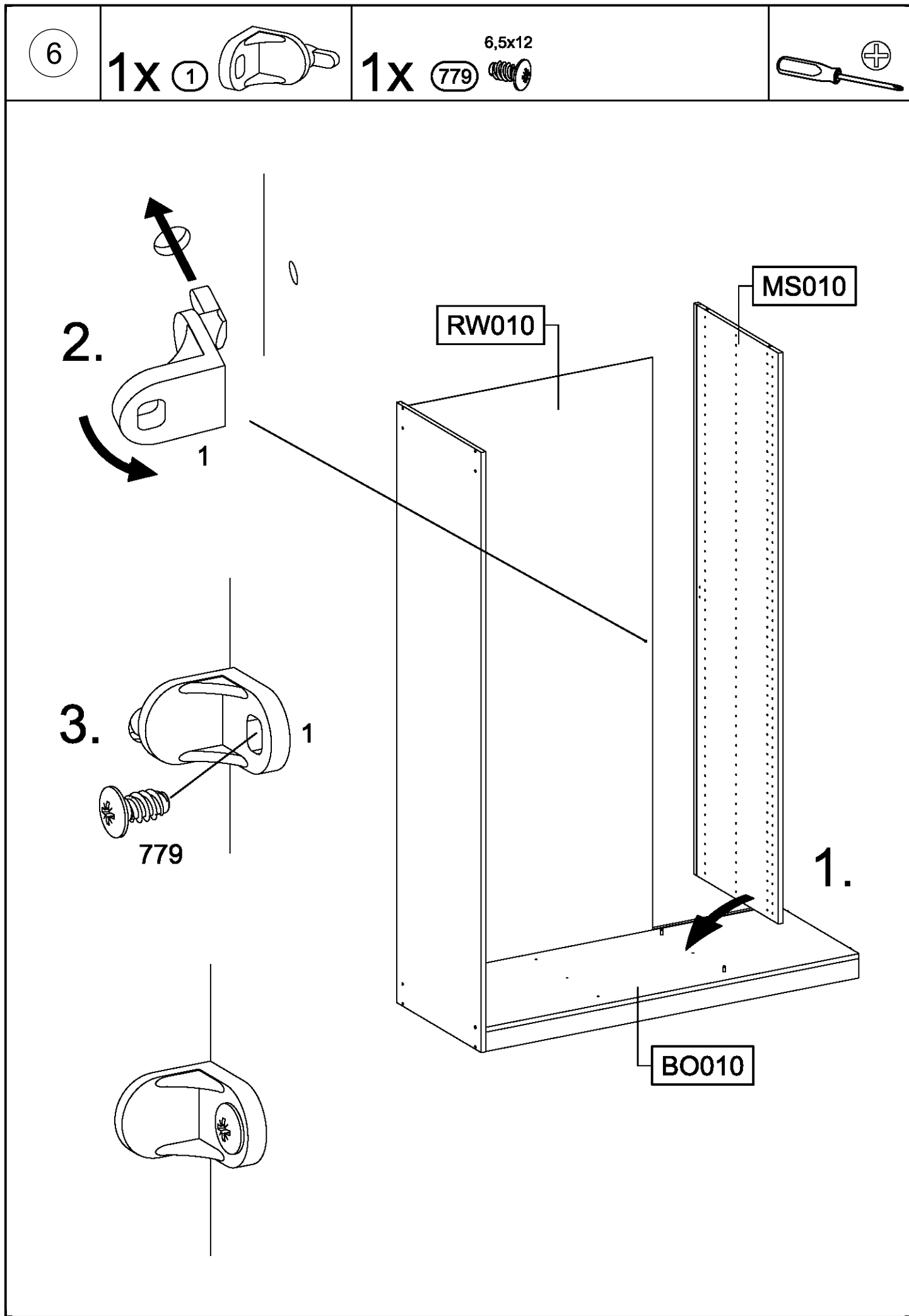
6,5x12



5

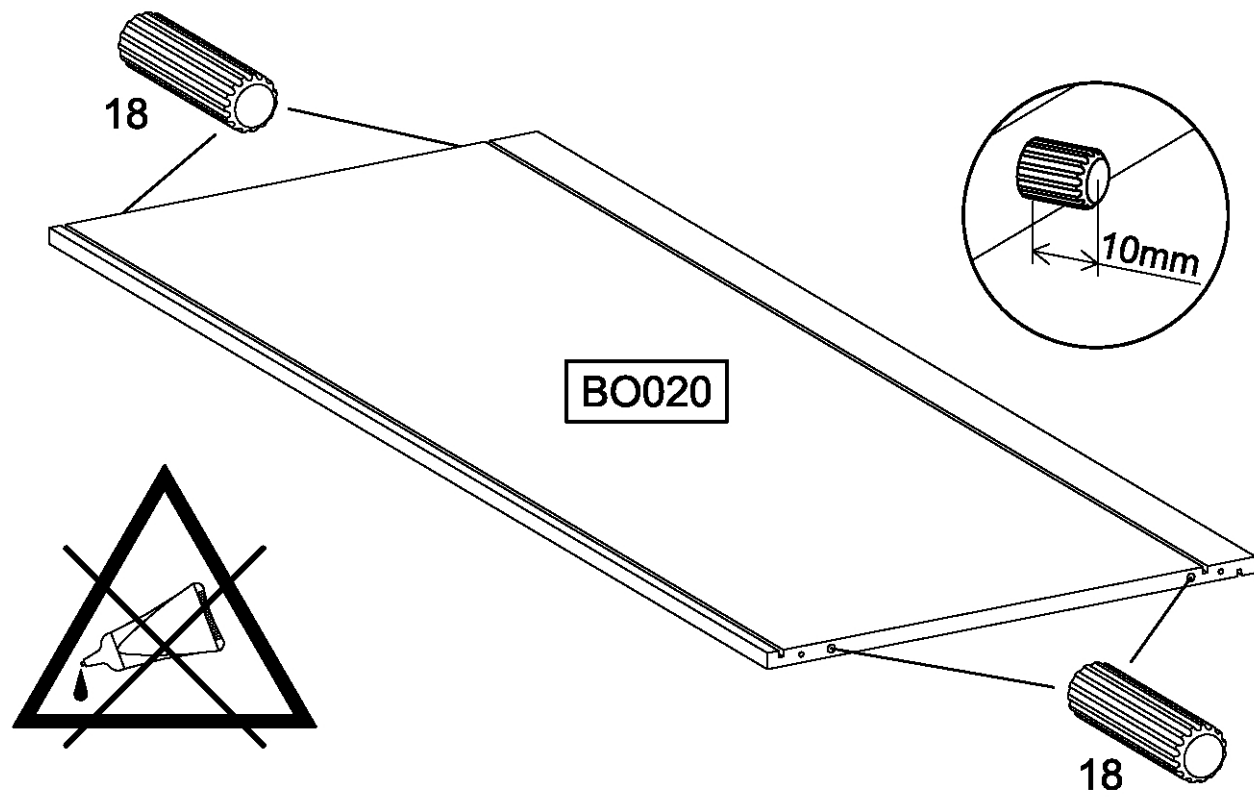
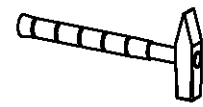
2x ③





8

4x 18 8x30

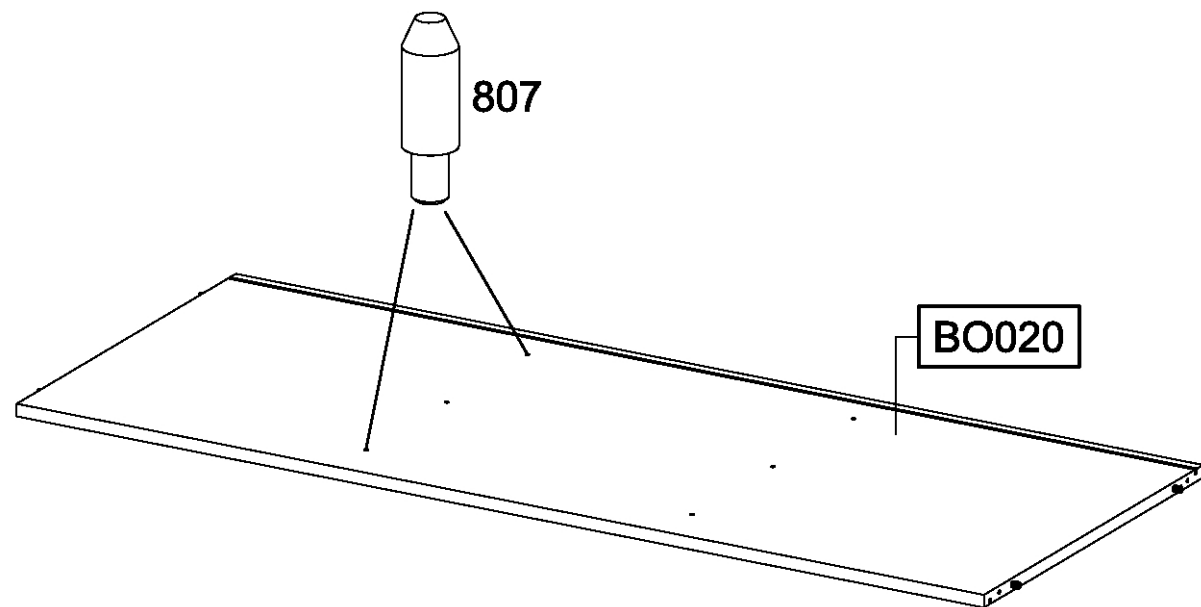


BO020

18

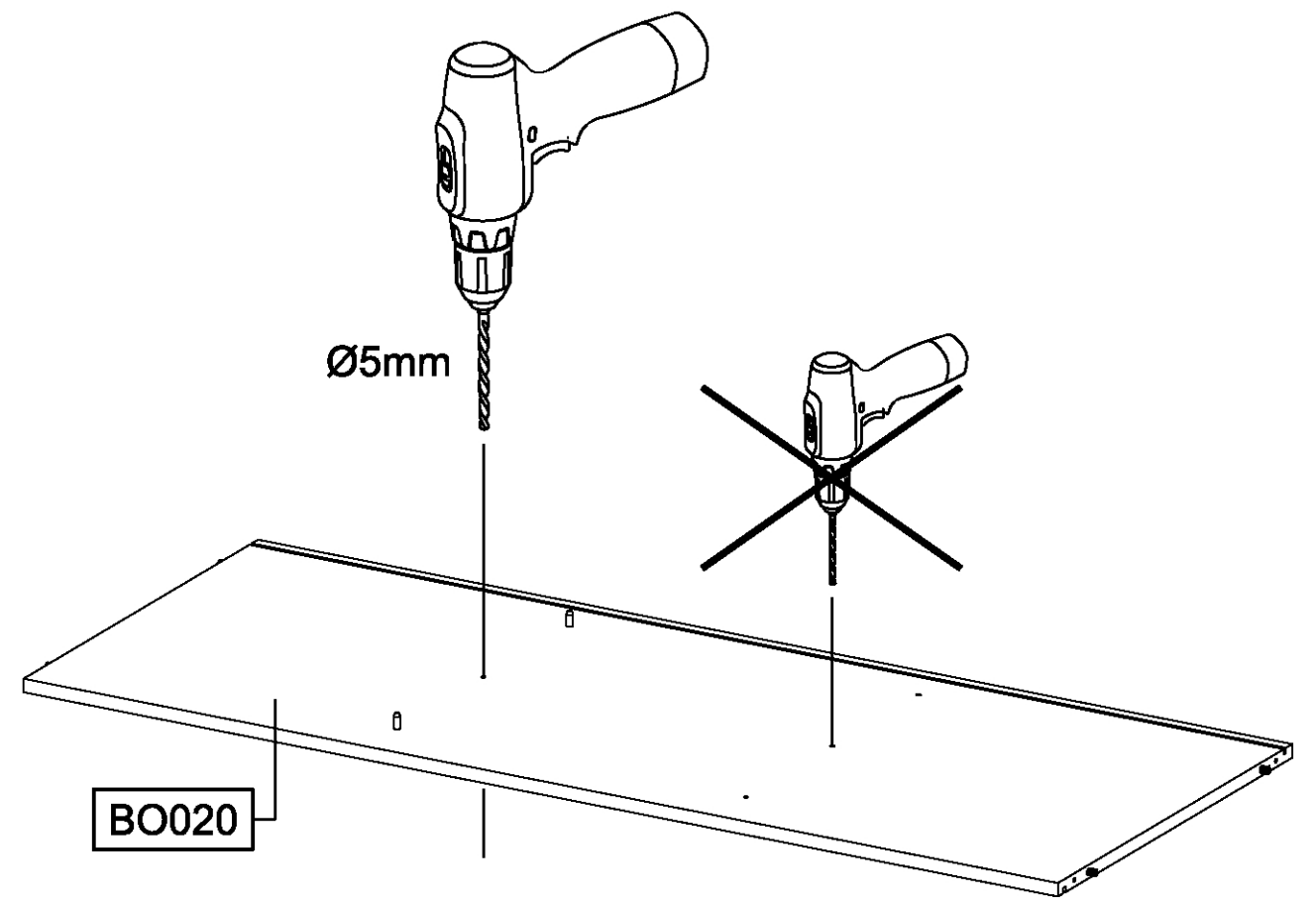
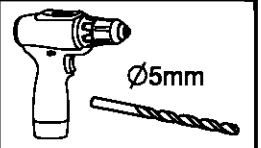
9

2x 807



BO020

10



Ø5mm

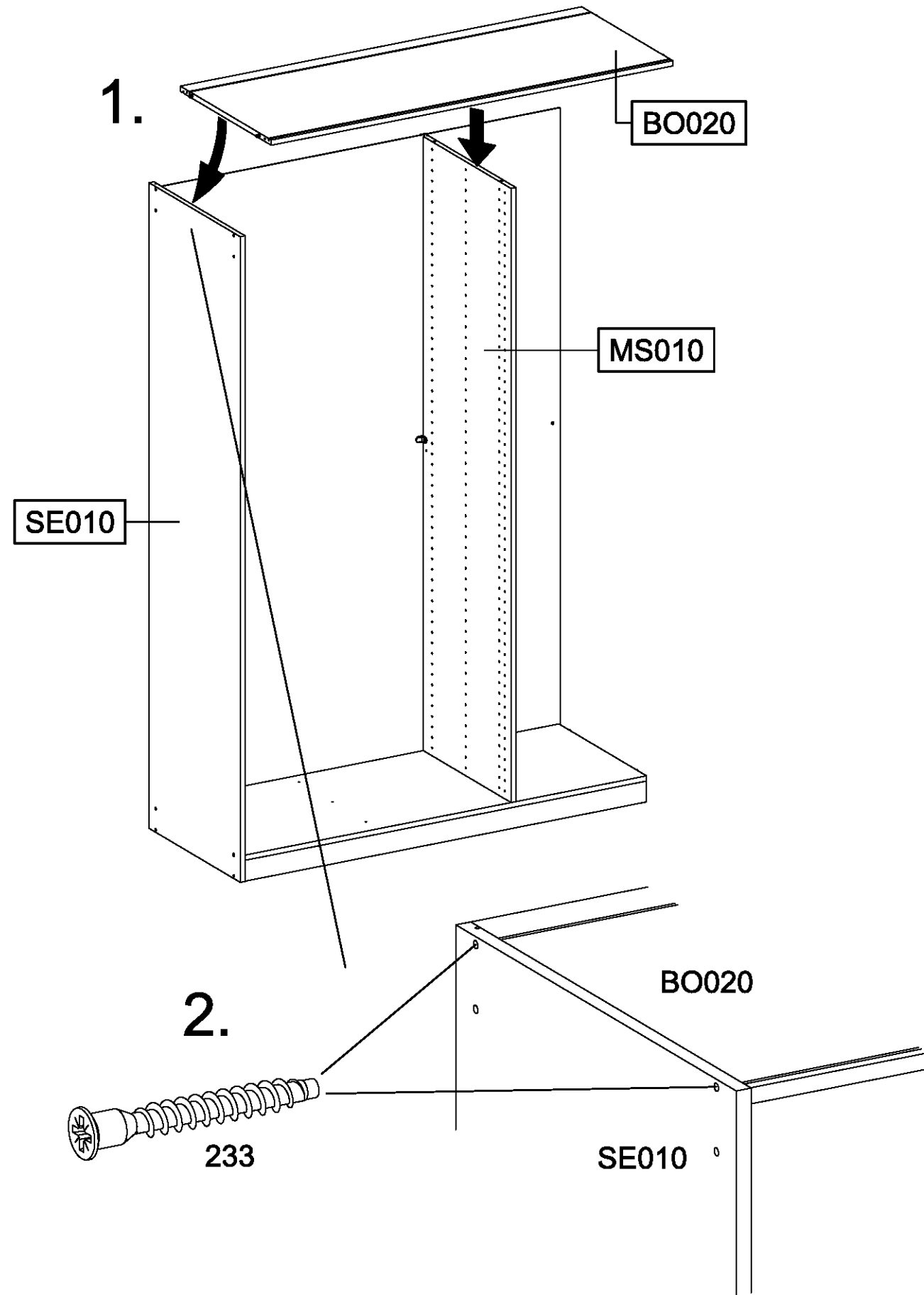
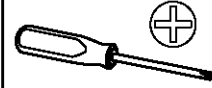
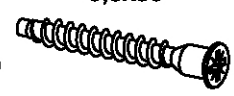
BO020

BO020

11

2x 233

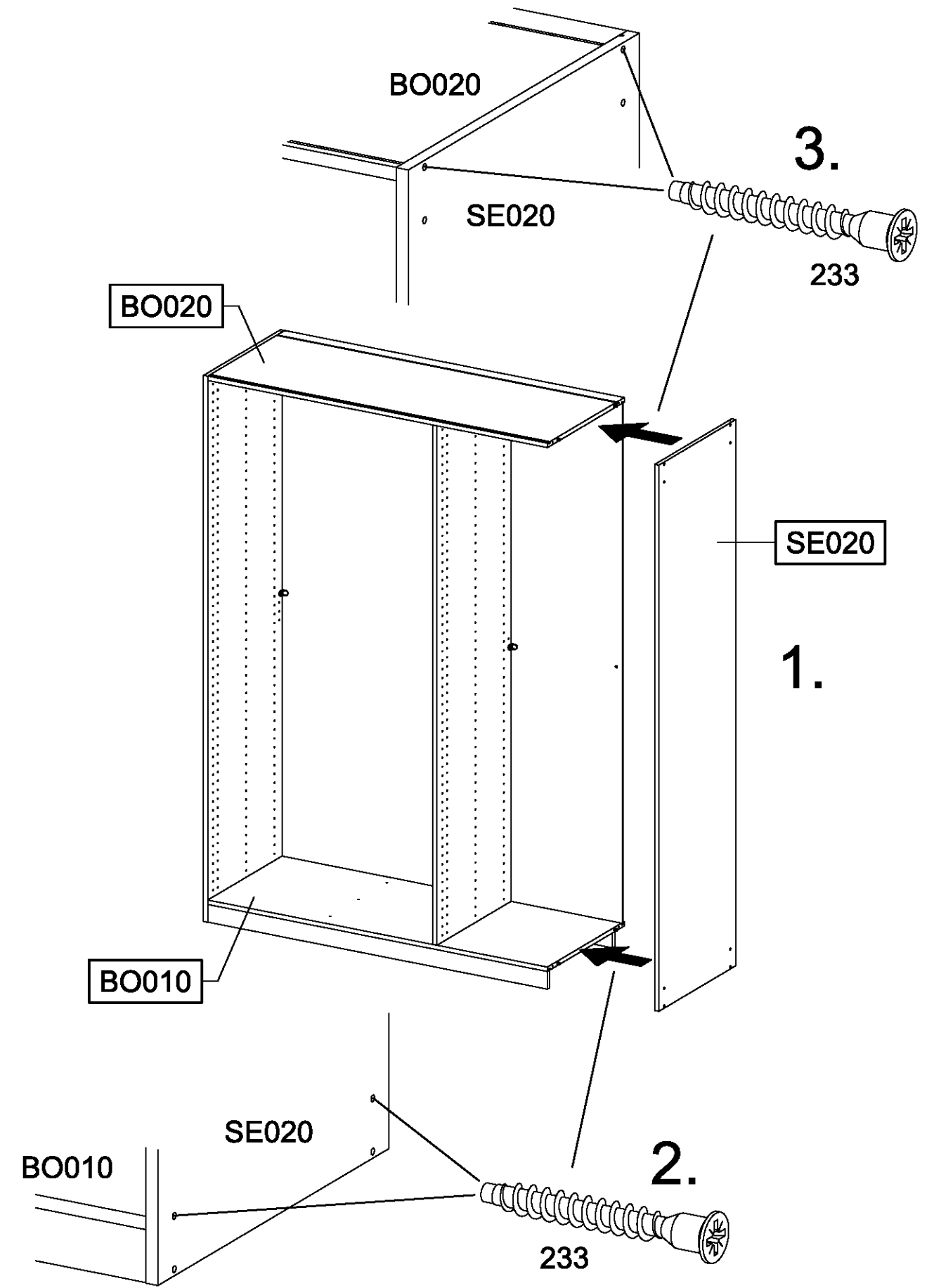
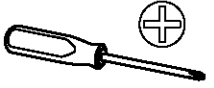
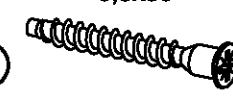
6,3x50



12

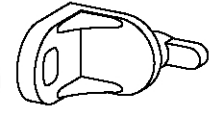
4x 233

6,3x50



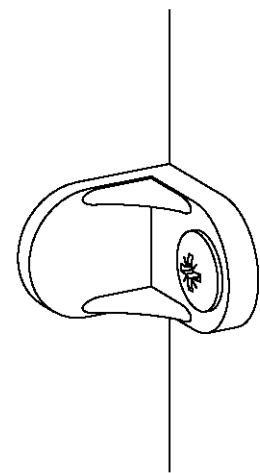
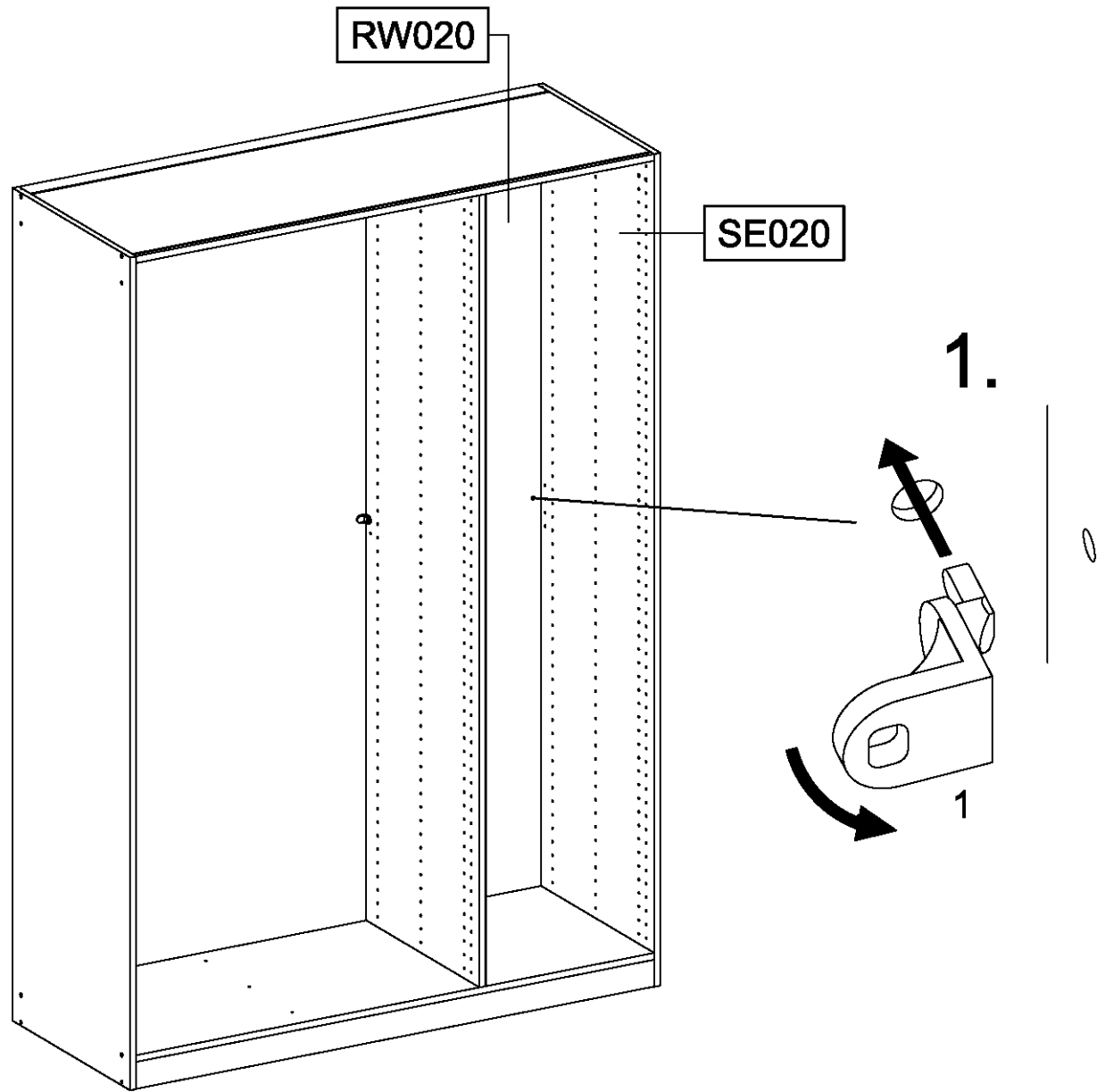
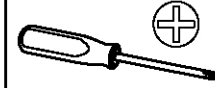
13

1x ①

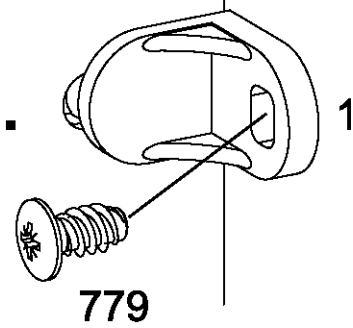


1x ⑦79

6,5x12



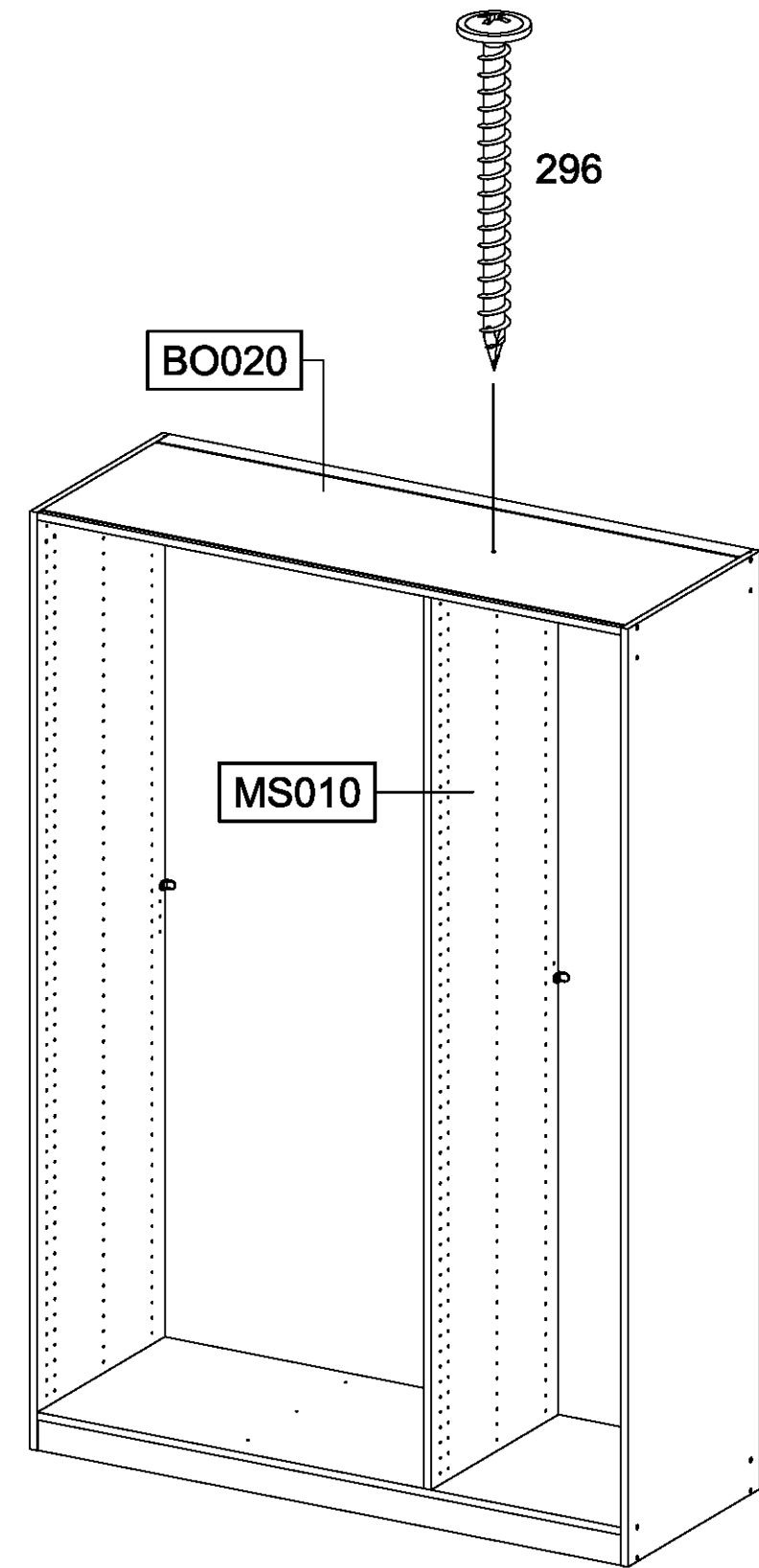
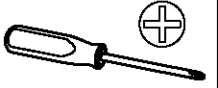
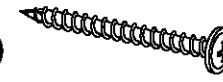
2.



14

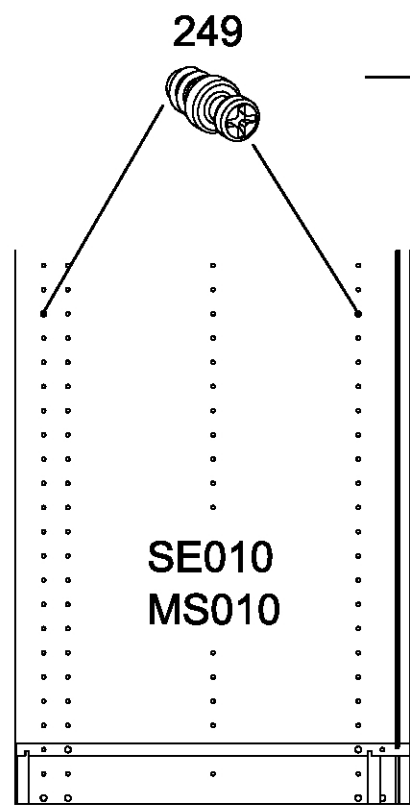
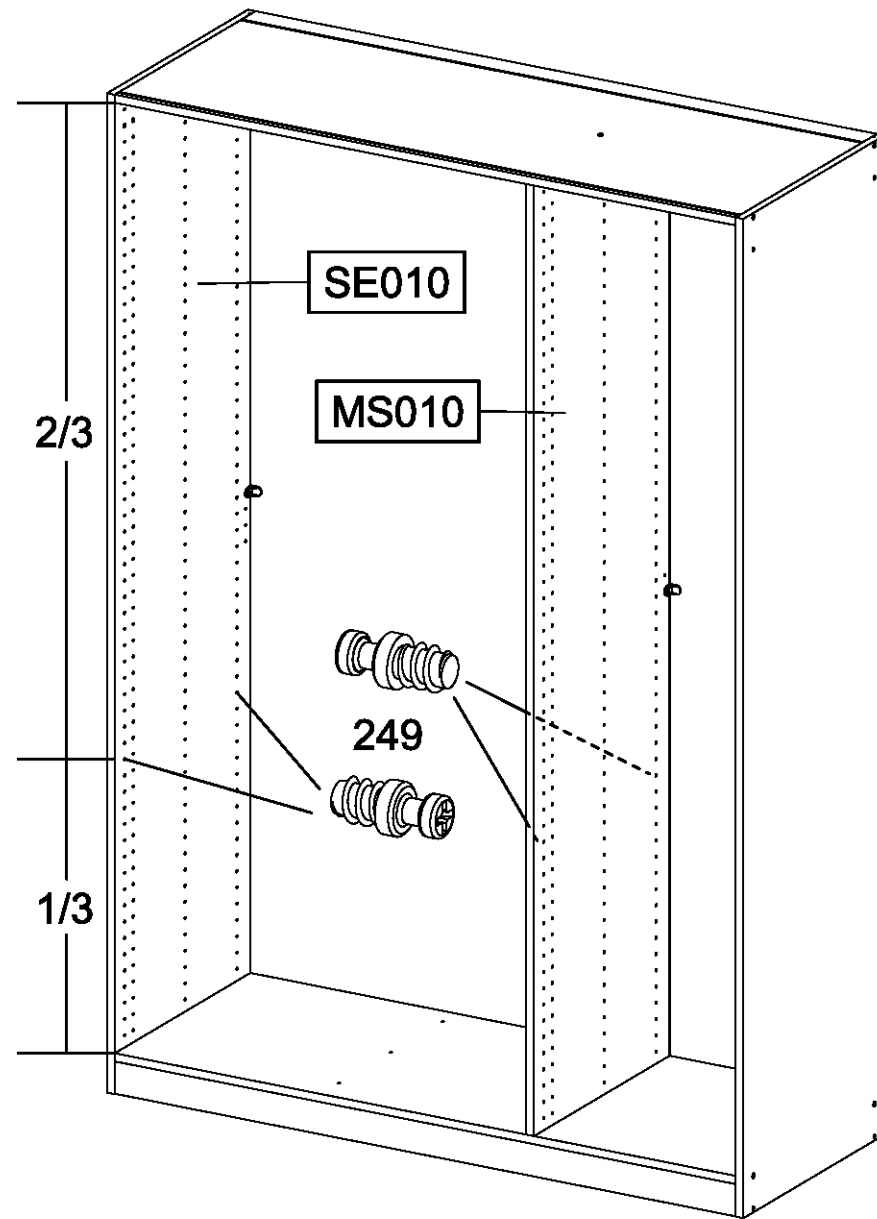
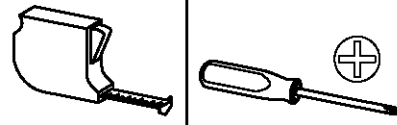
1x ②96

4,5x50



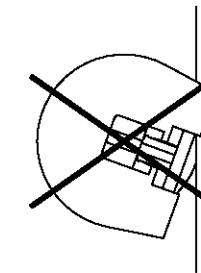
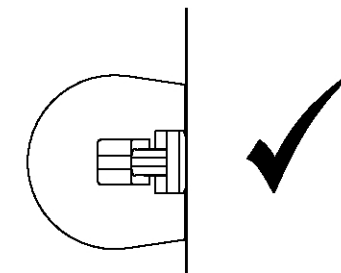
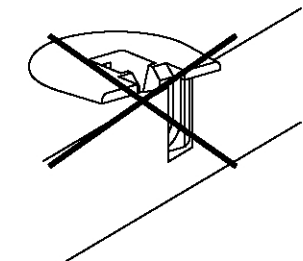
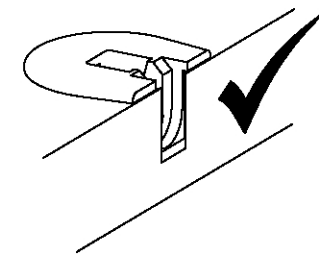
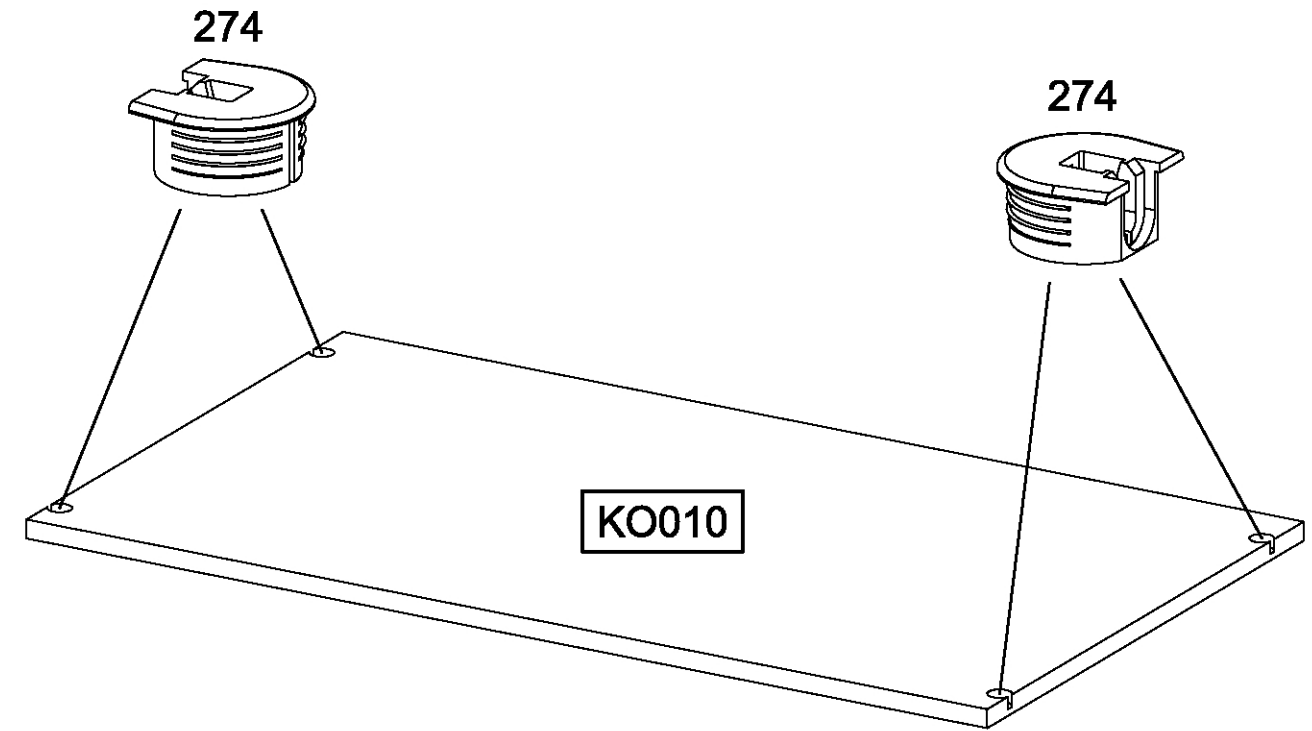
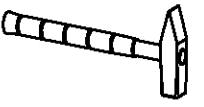
15

4x 249 5,0x7,0

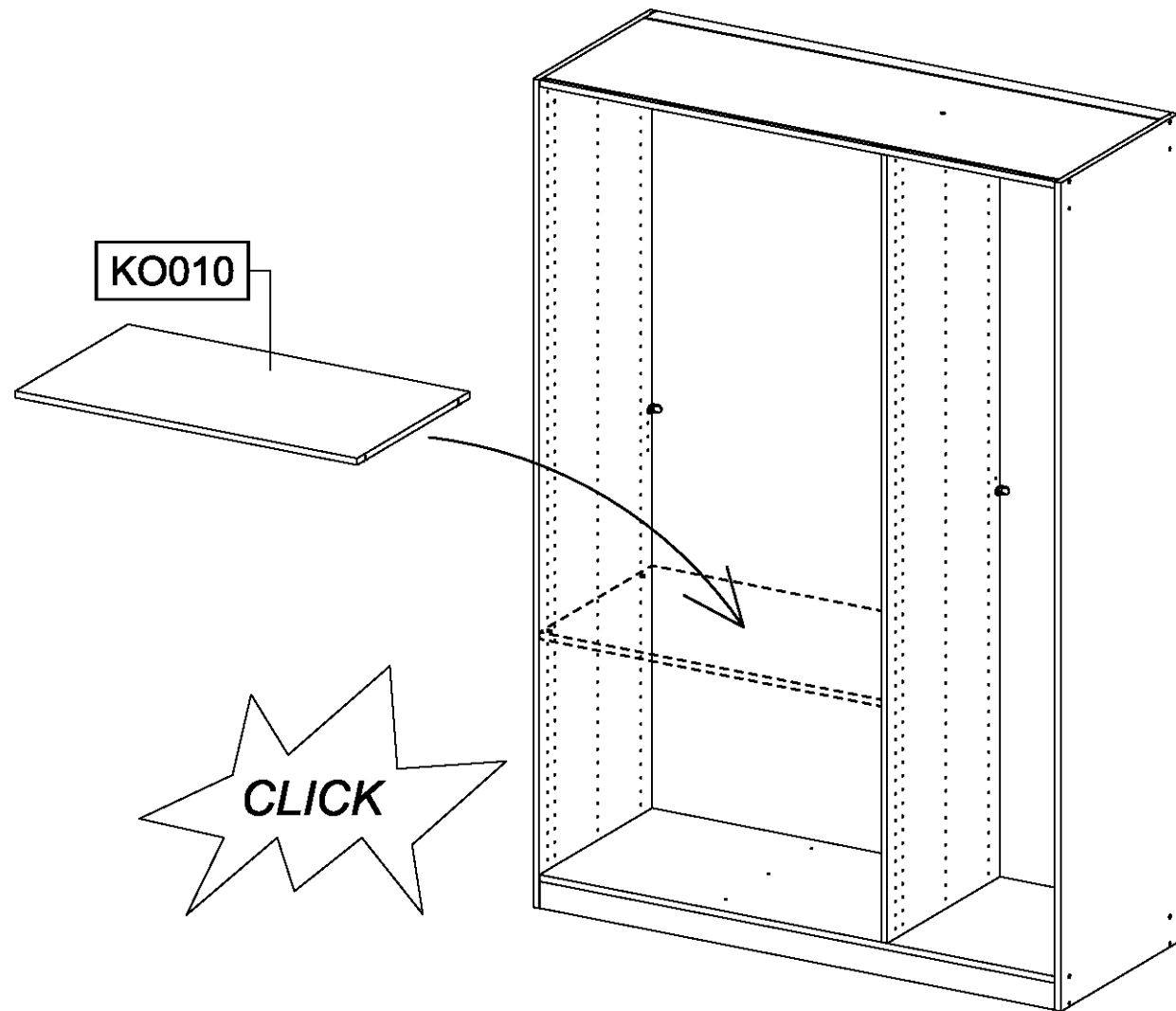


16

4x 274

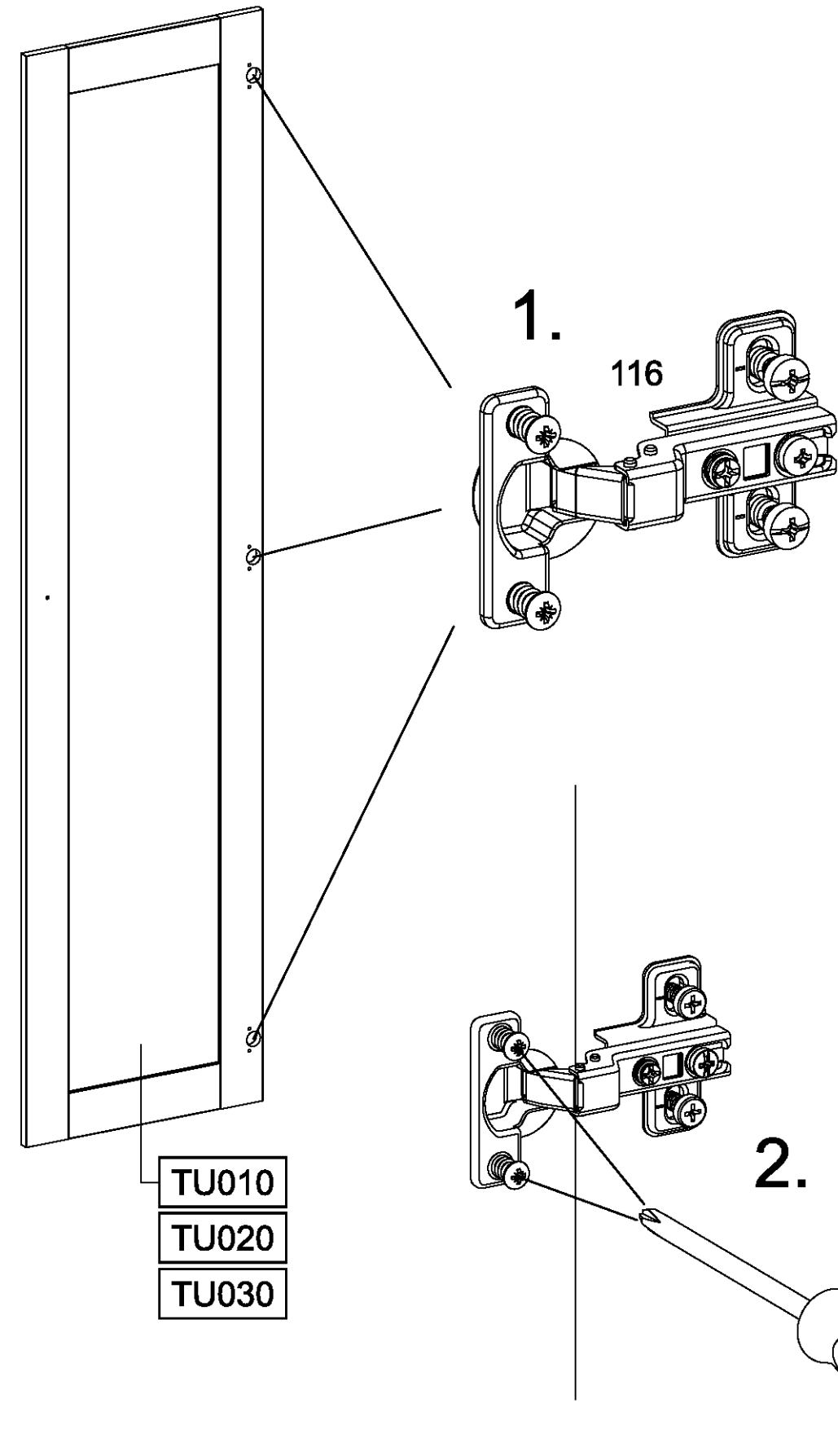
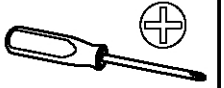
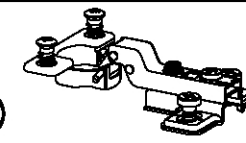


17

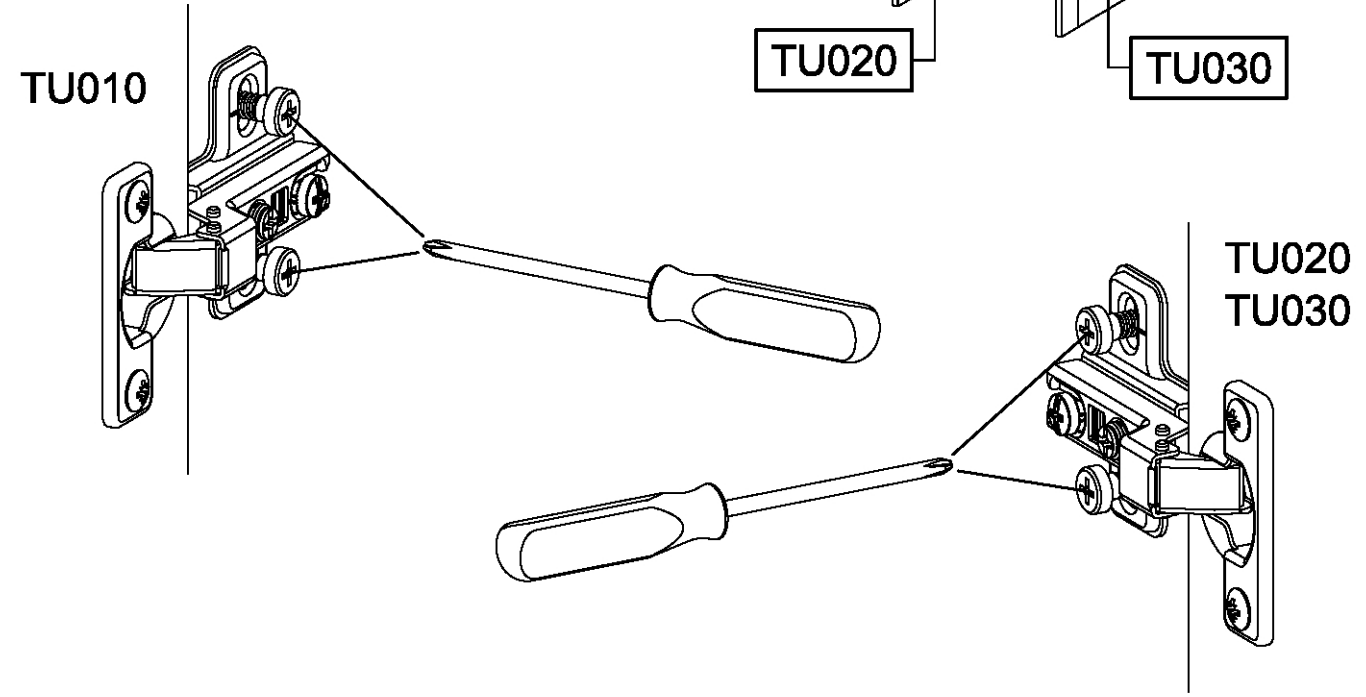
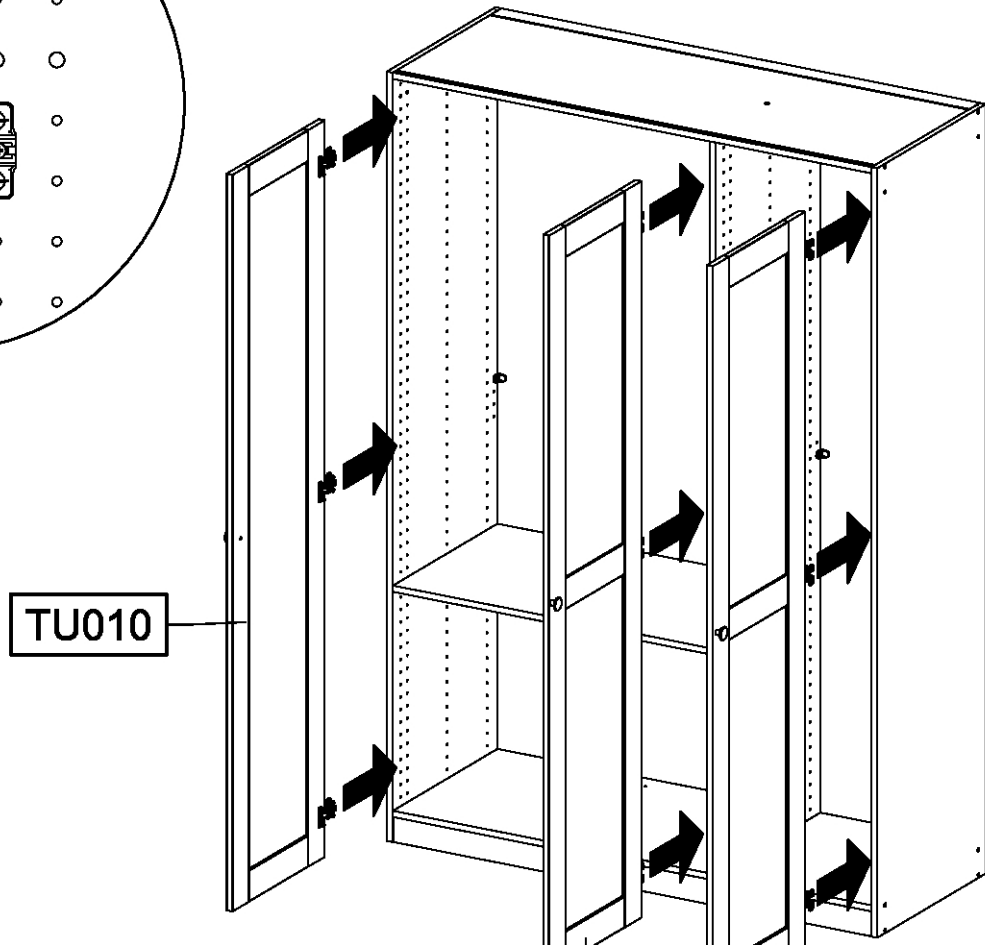
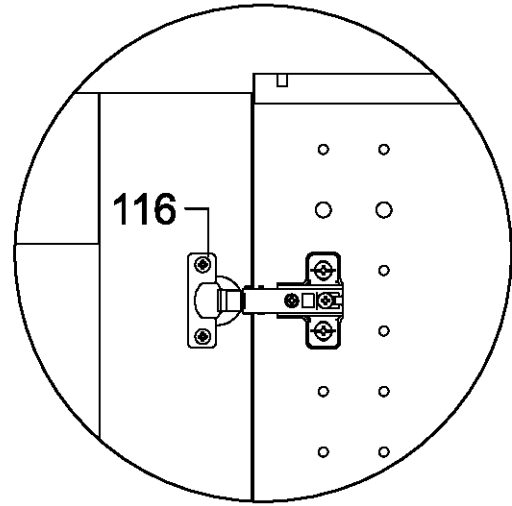
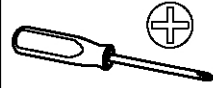


18

9x 116

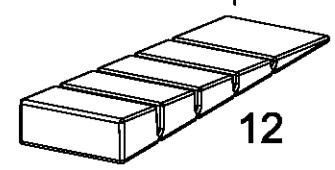
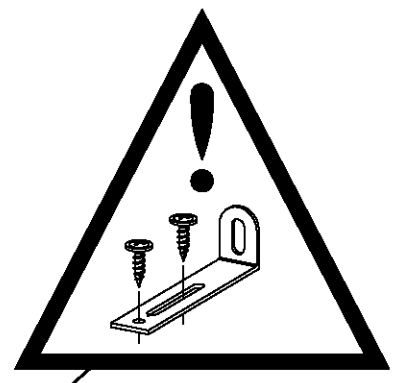
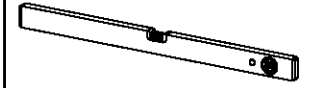


19



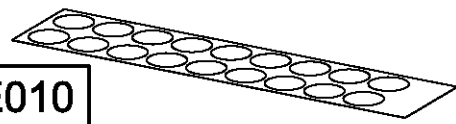
20

2x 12 55x16x6,2

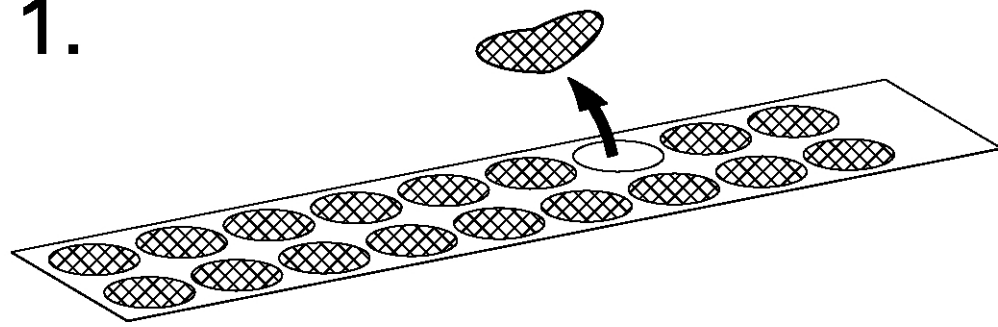


21

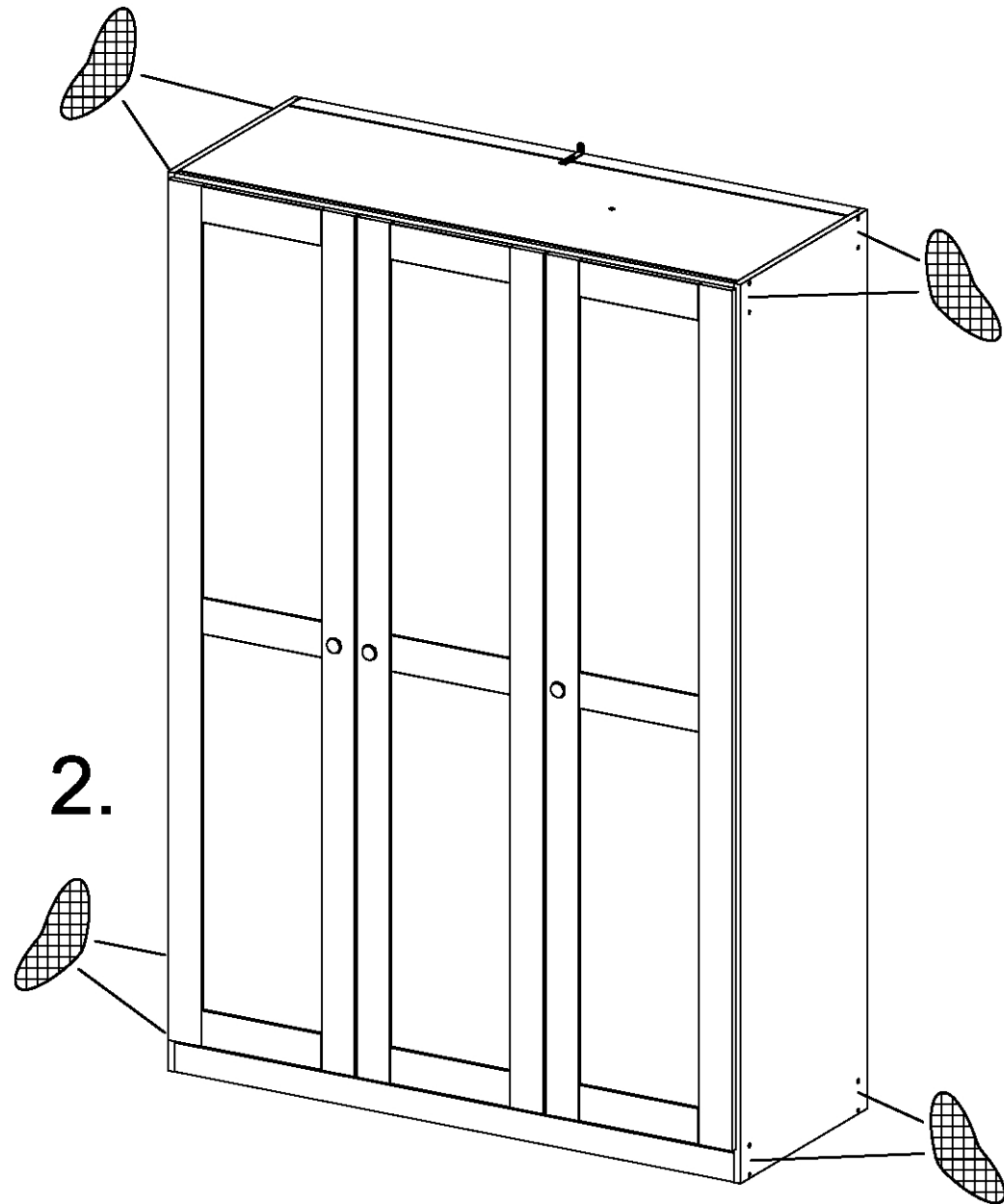
1x RE010



1.



2.



22

