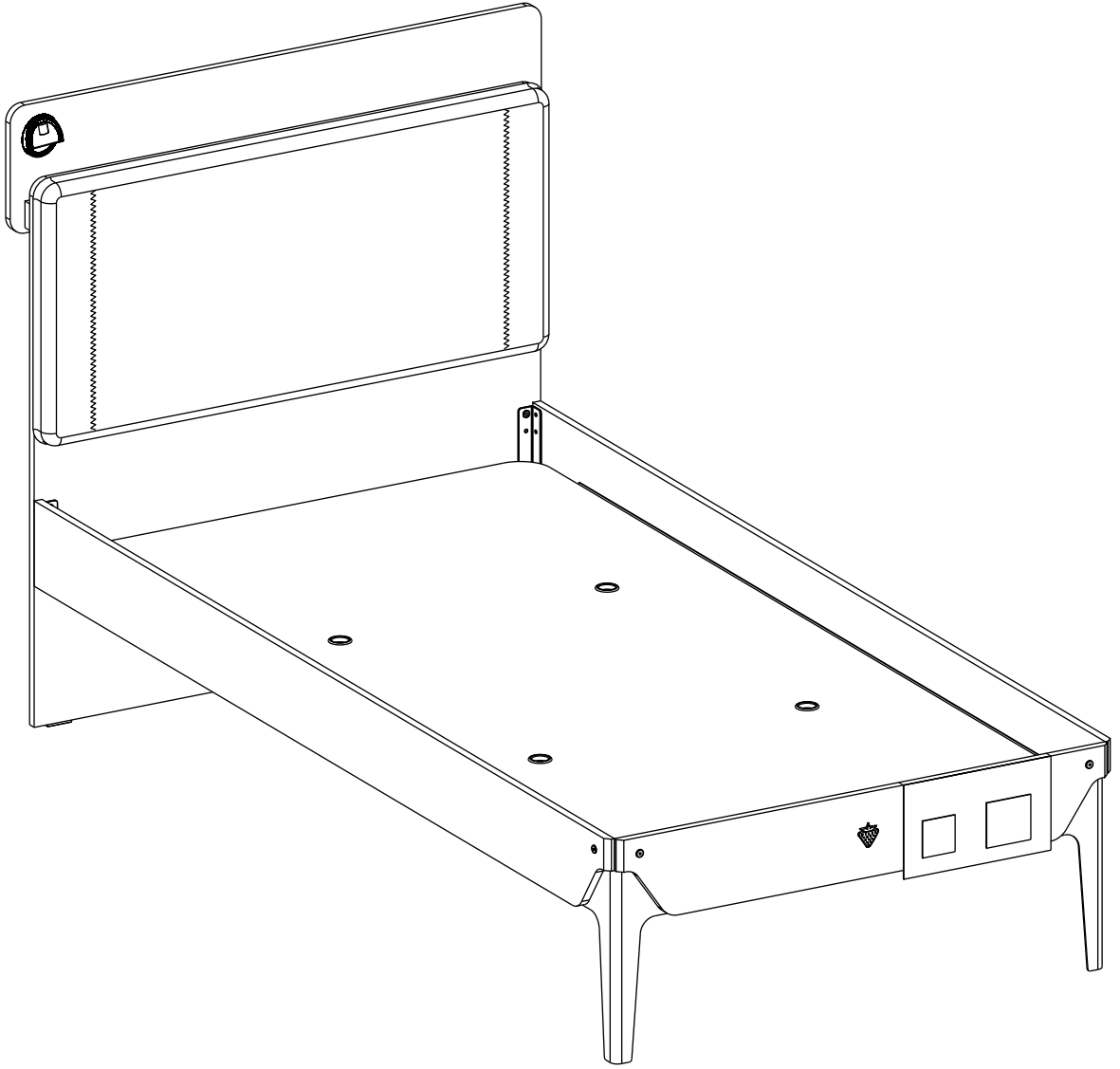


# 20.73.1311.00



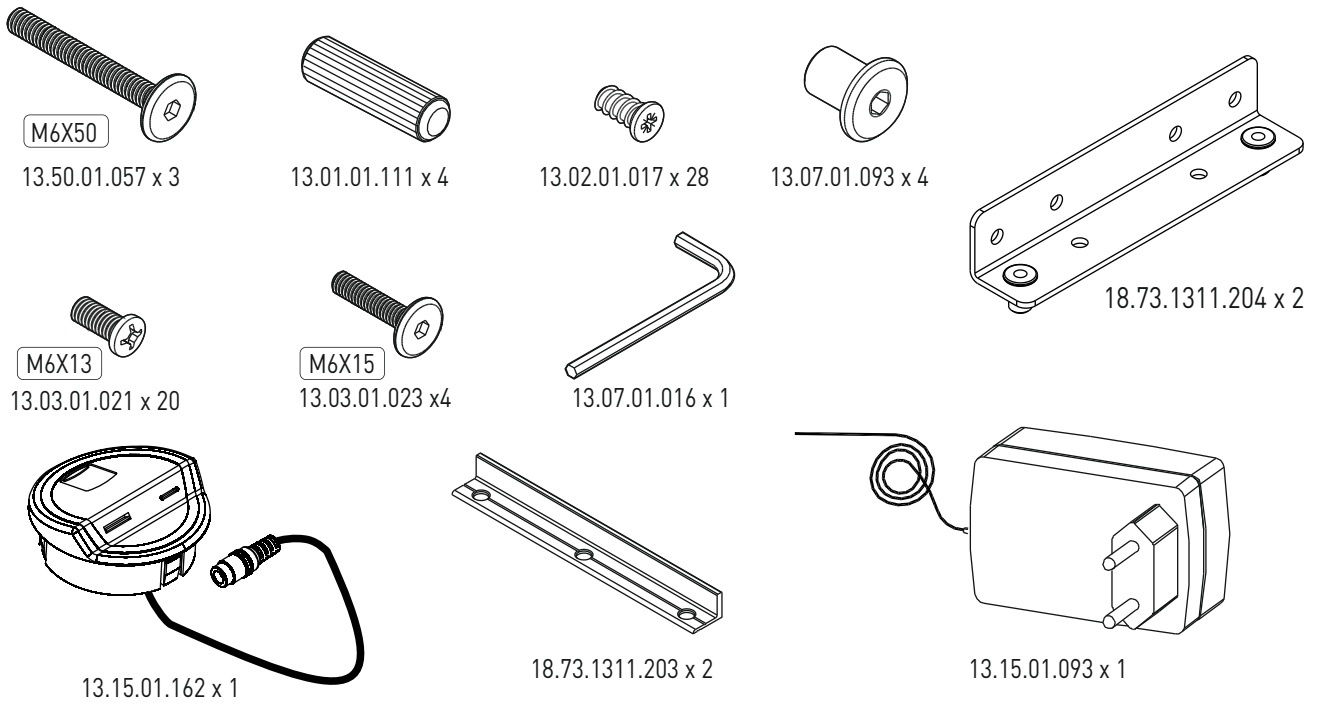
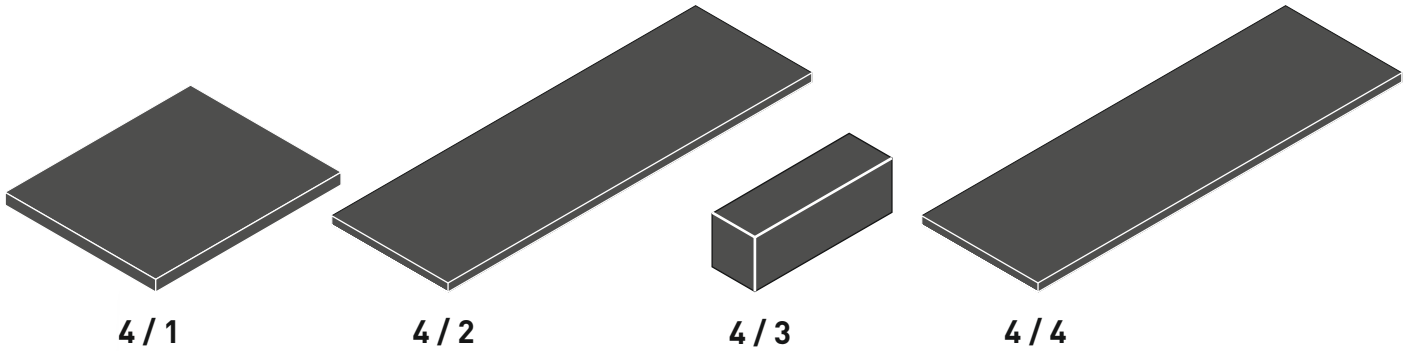
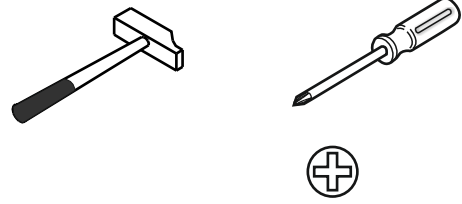
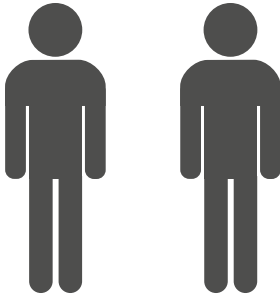
GARANTİ BELGESİ VE  
KULLANMA KILAVUZU



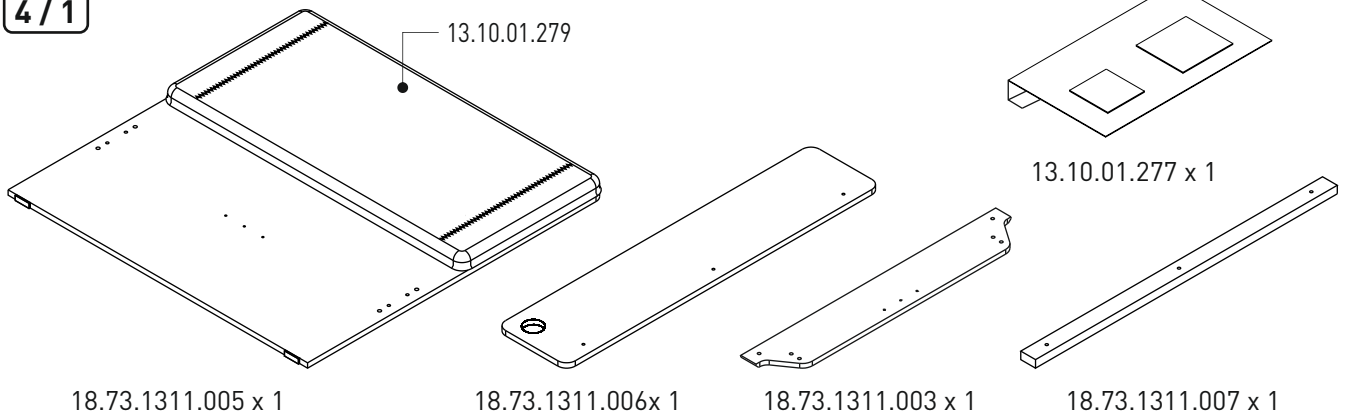
WARRANTY CERTIFICATE  
AND USER MANUAL

شهادة الضمان ودليل المستخدم





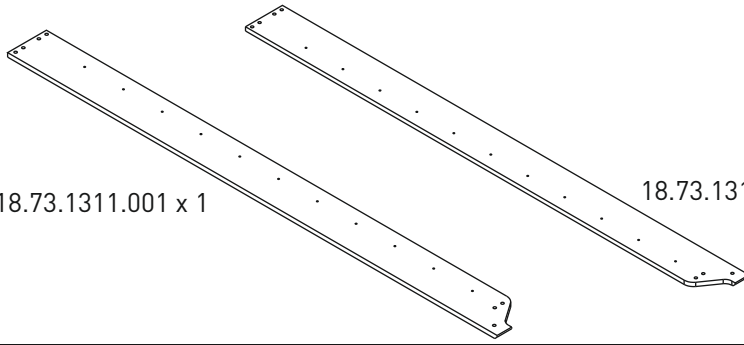
4 / 1



4/2

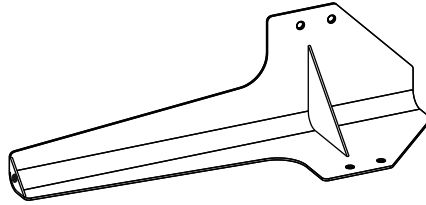
18.73.1311.001 x 1

18.73.1311.002 x 1



4/3

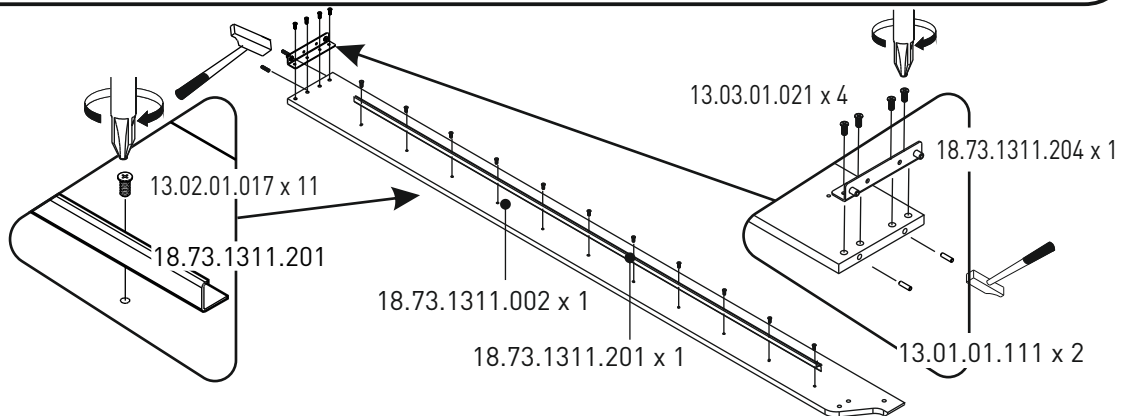
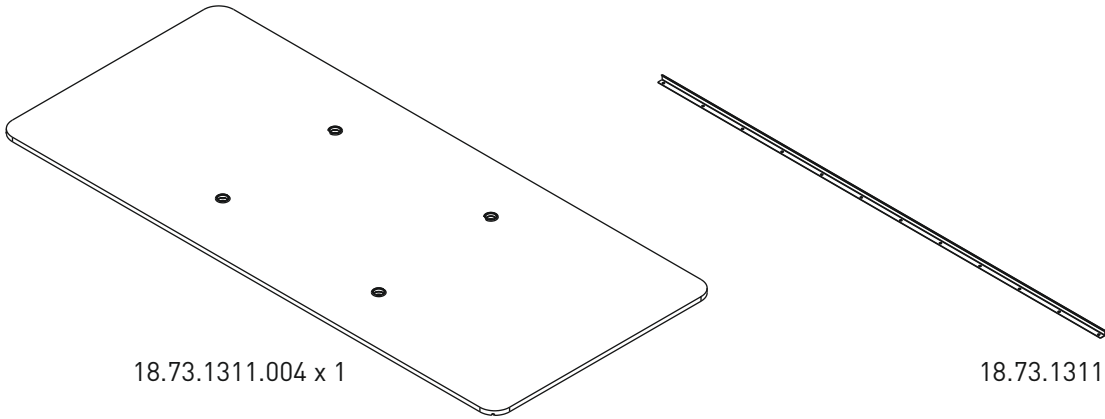
18.73.1311.202 x 2



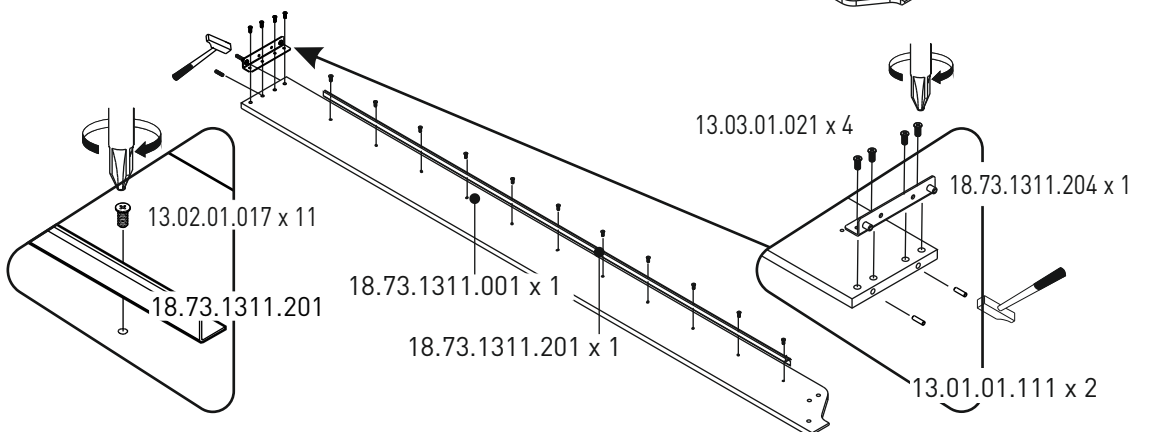
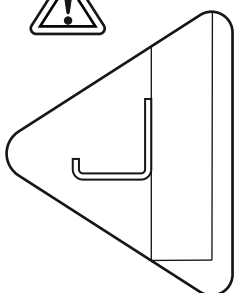
4/4

18.73.1311.004 x 1

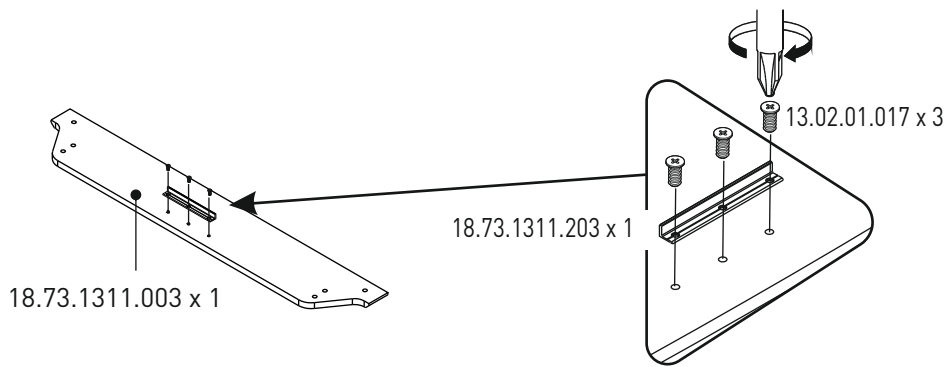
18.73.1311.201 x 2



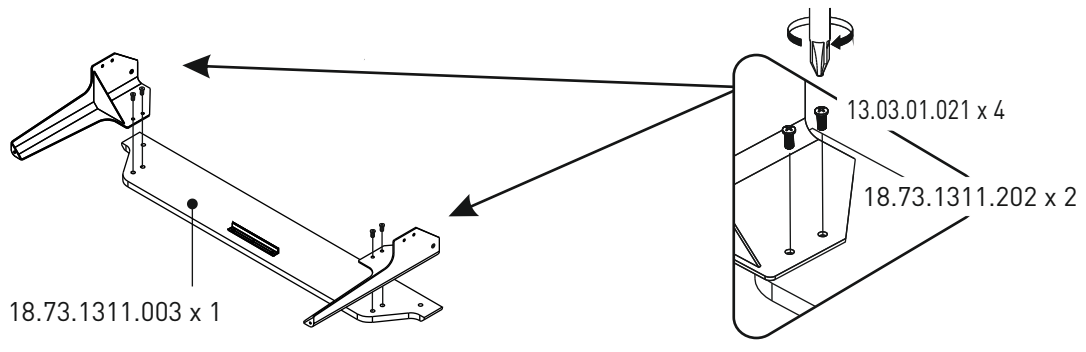
1



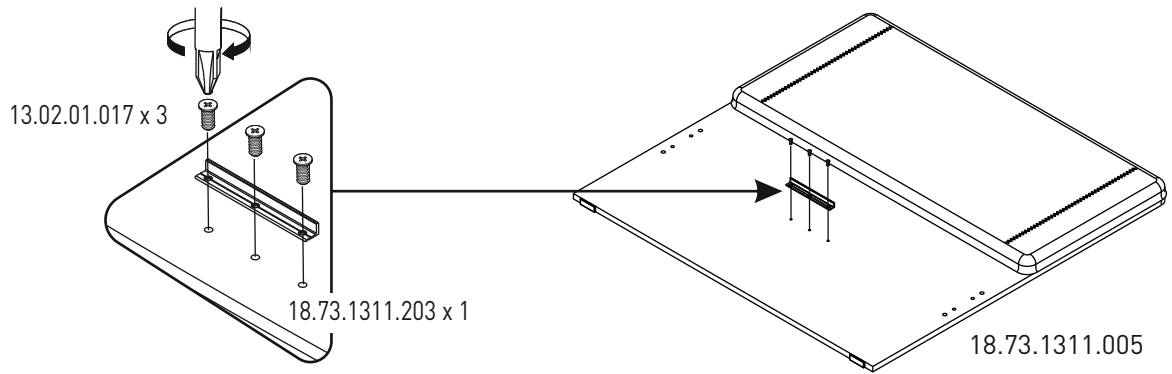
2



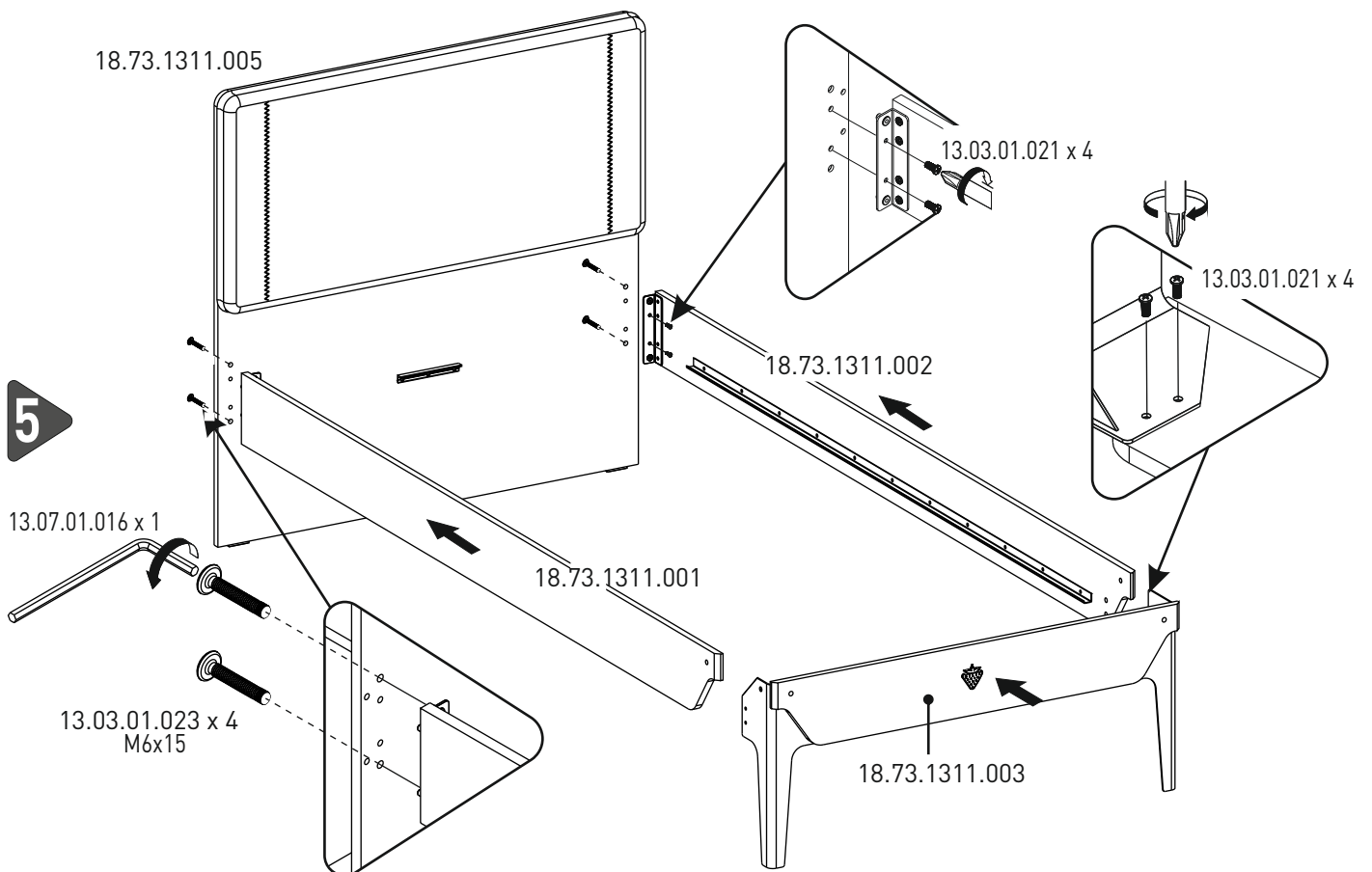
3



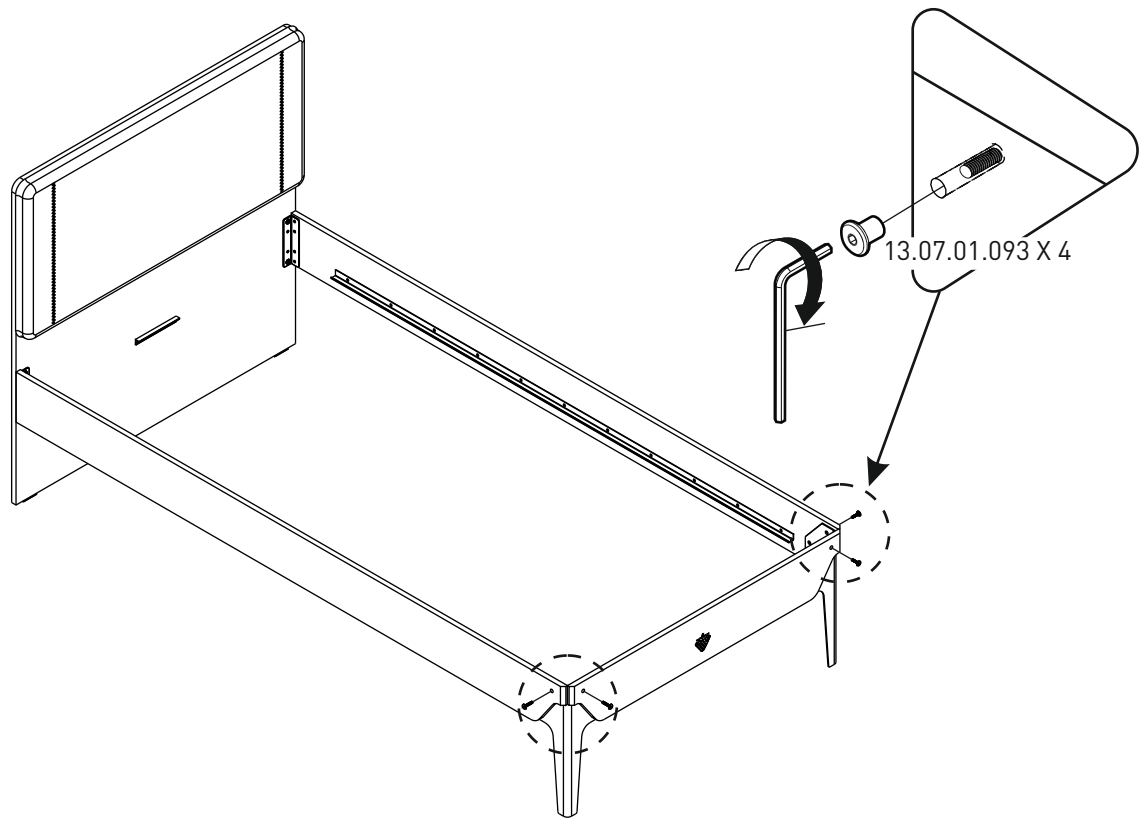
4



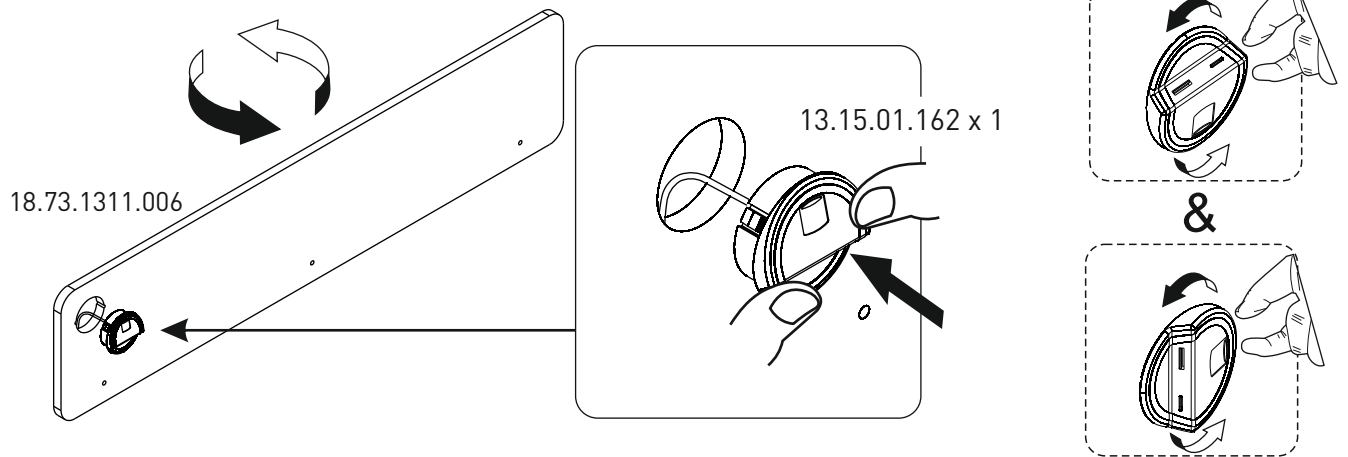
5



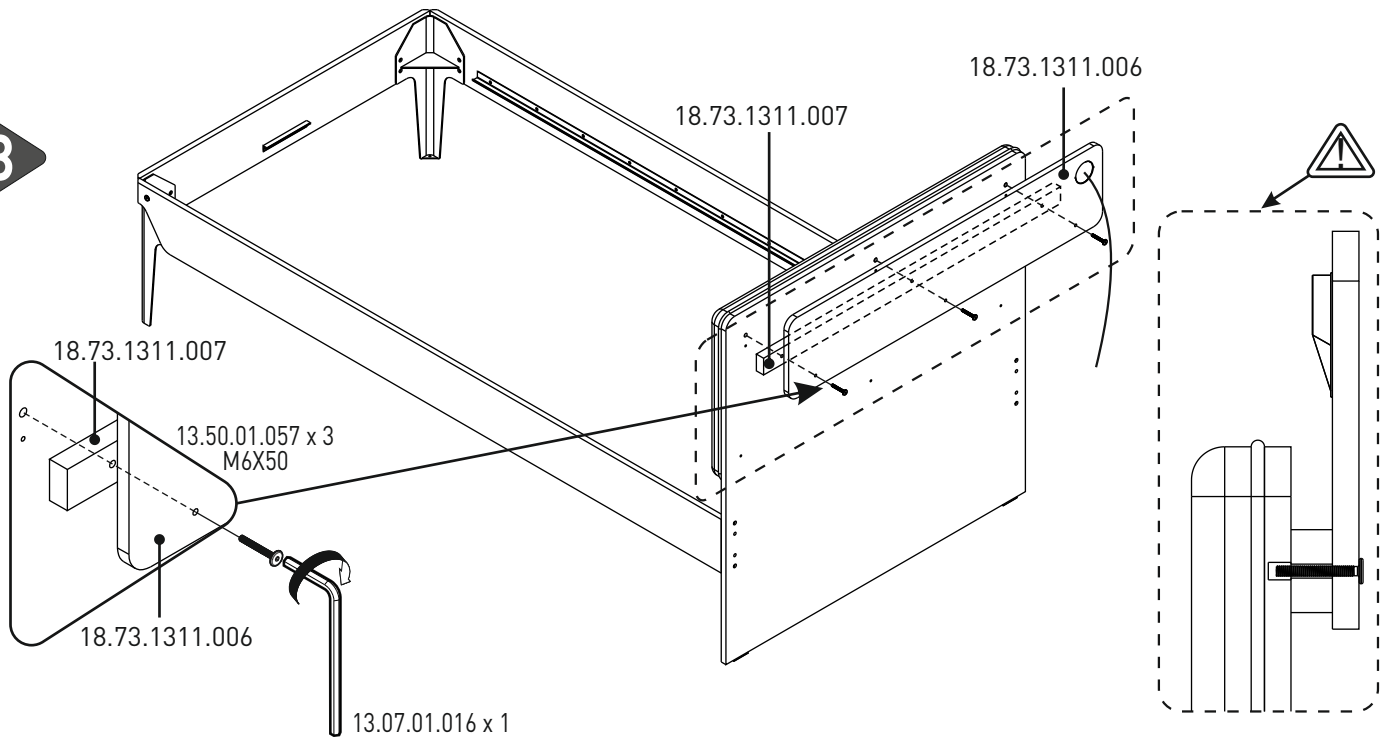
6



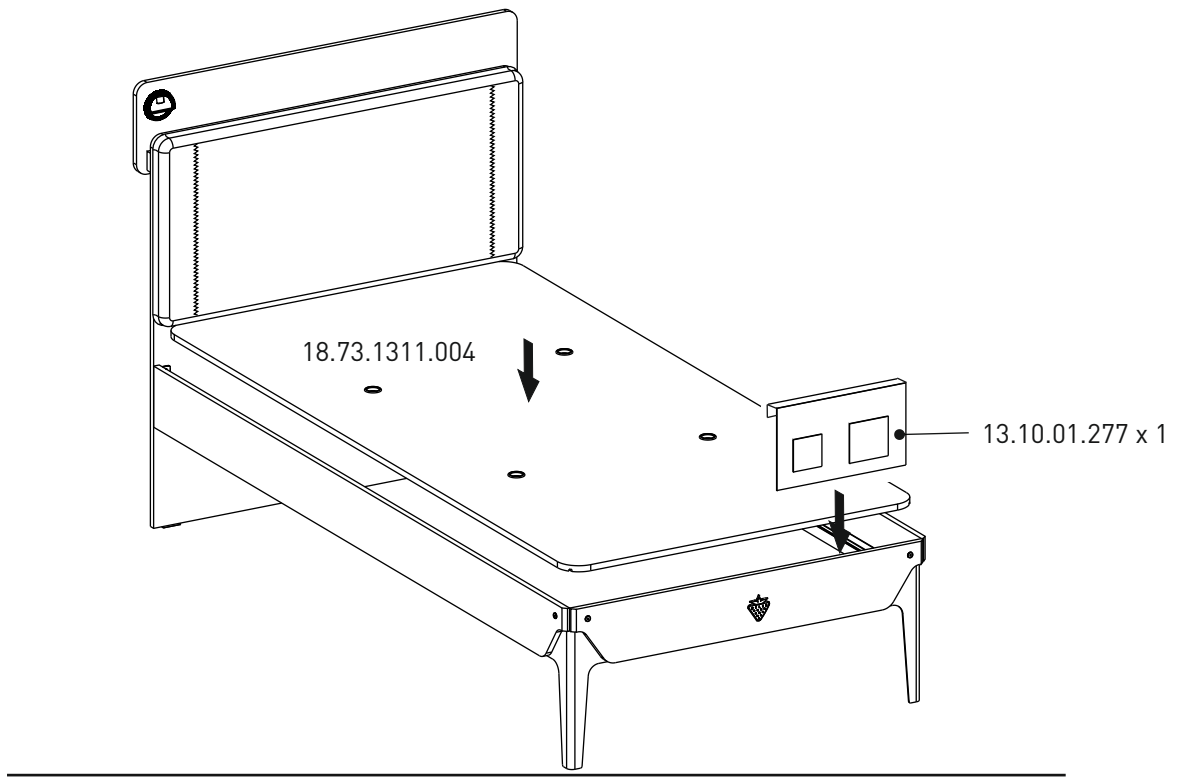
7



8



9



10

