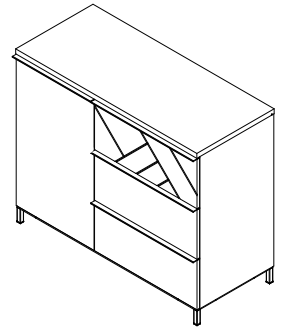
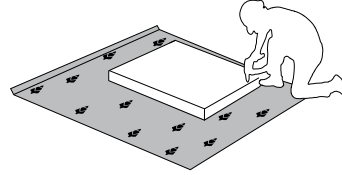
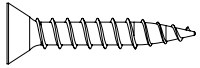


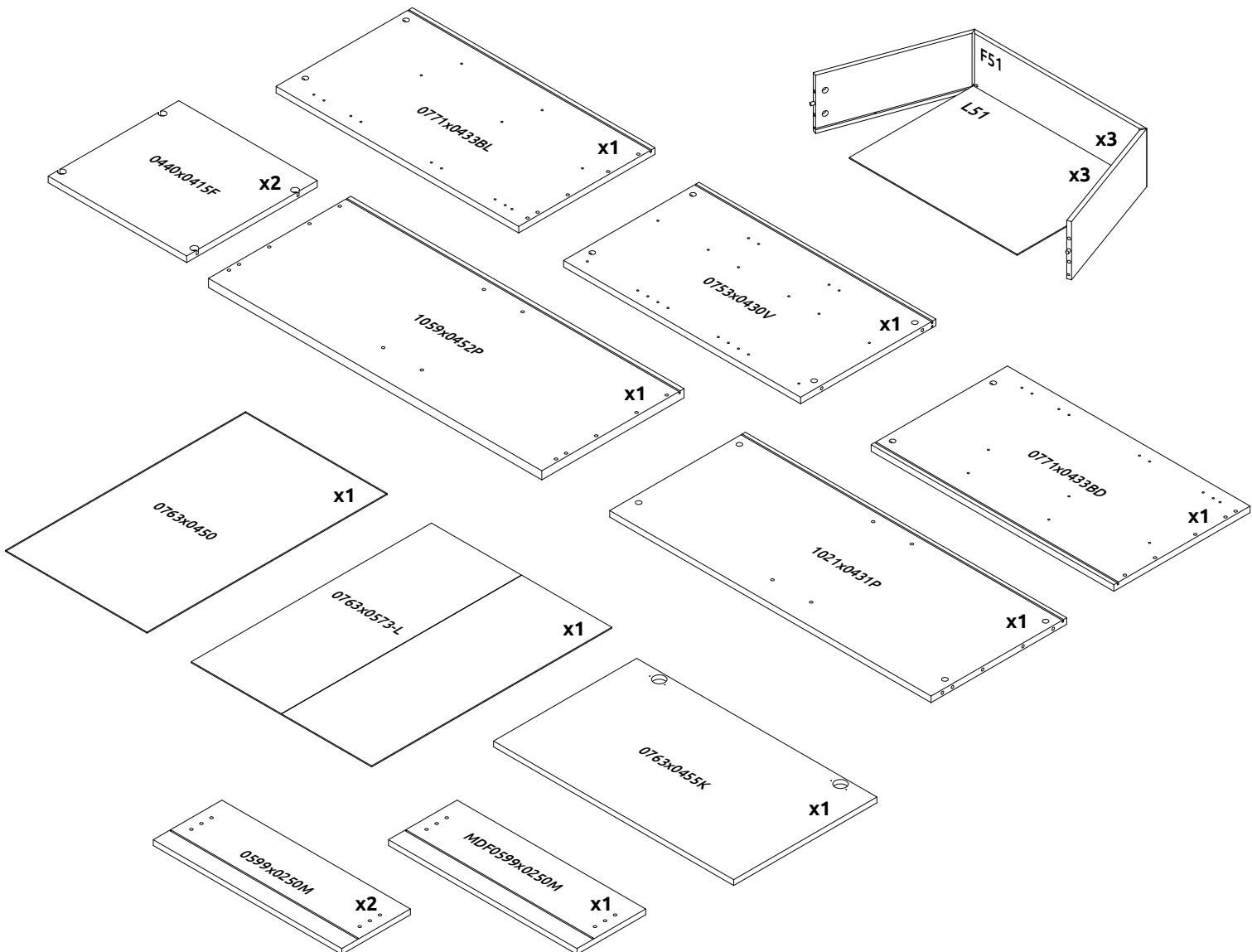


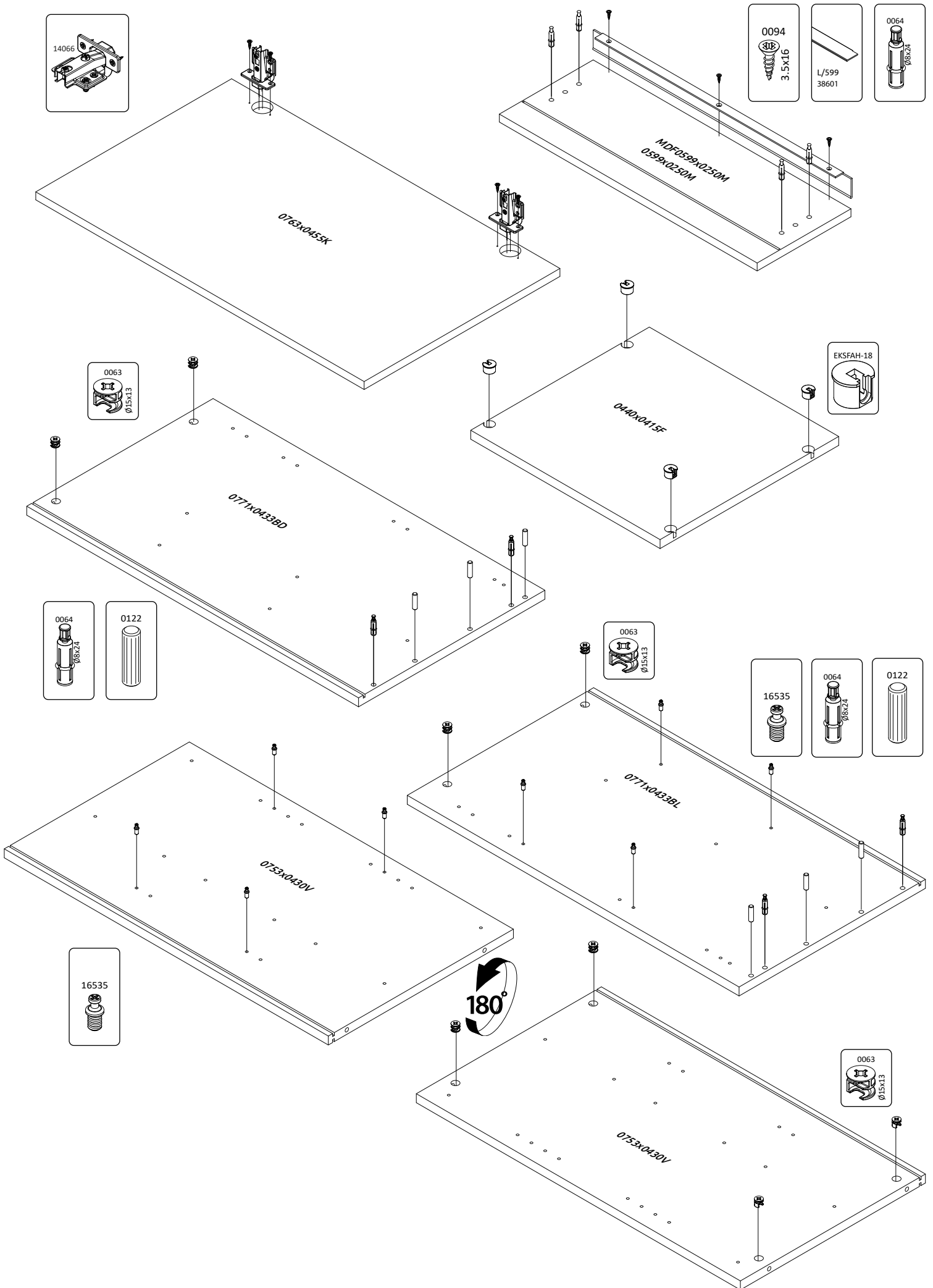
IMPORTANT - READ CAREFULLY - RETAIN FOR FUTURE REFERENCE  
WICHTIG - SORGFÄLTIG LESEN UND AUFBEWAHREN

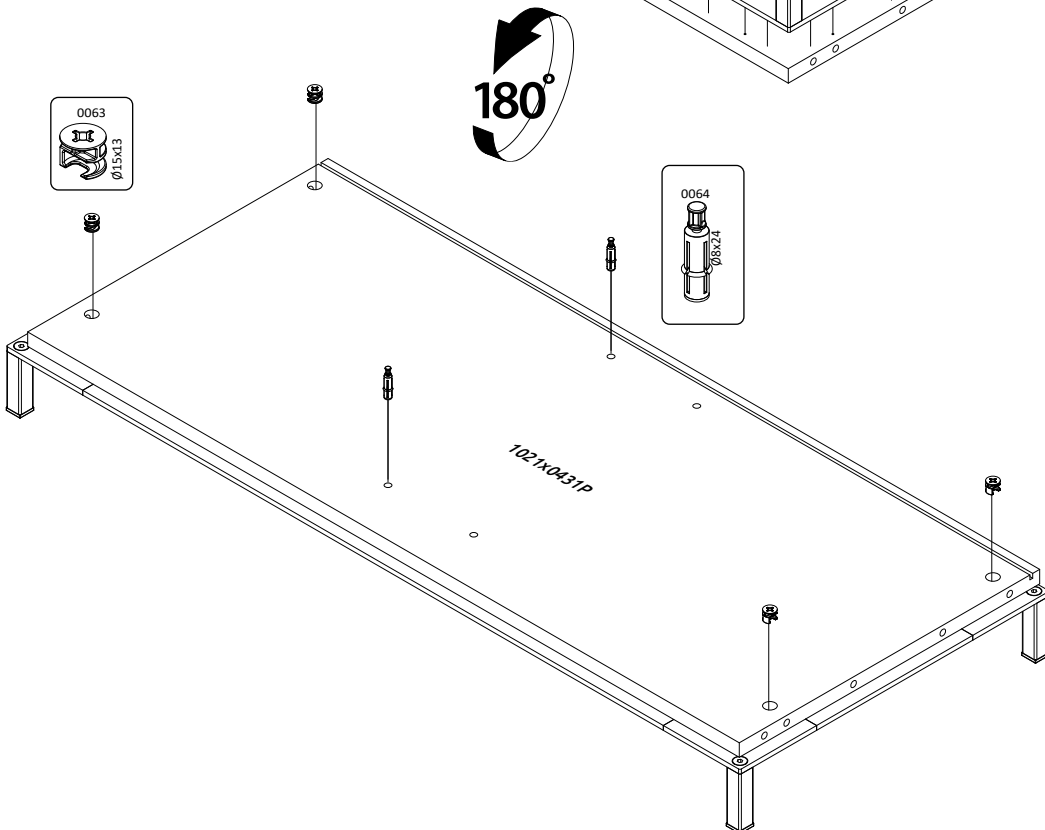
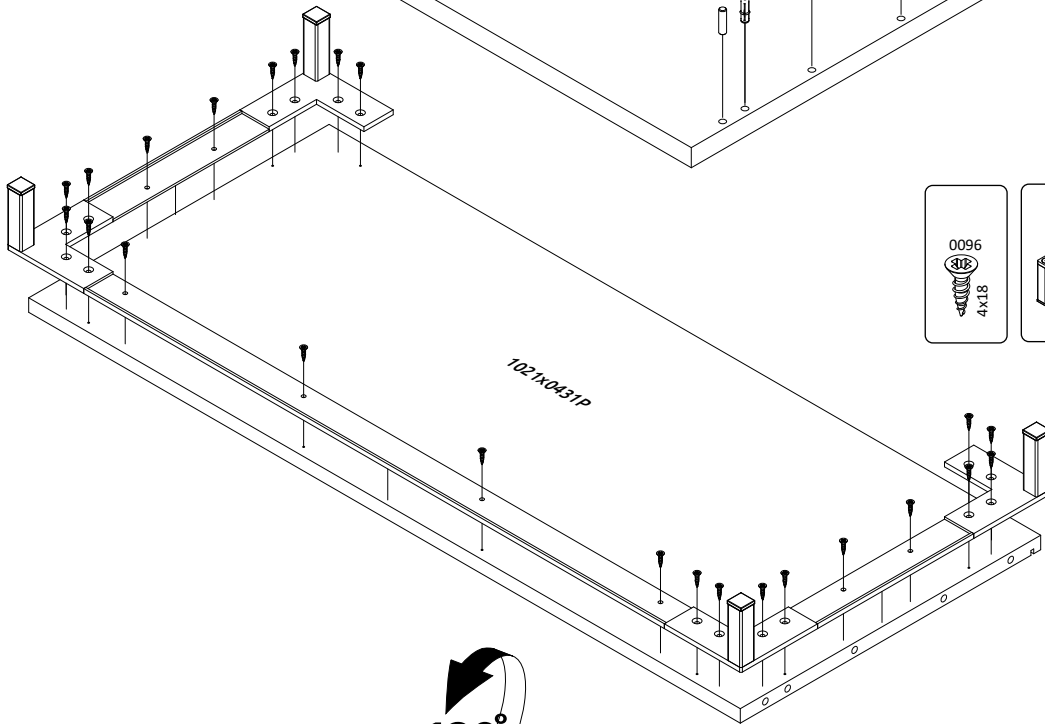
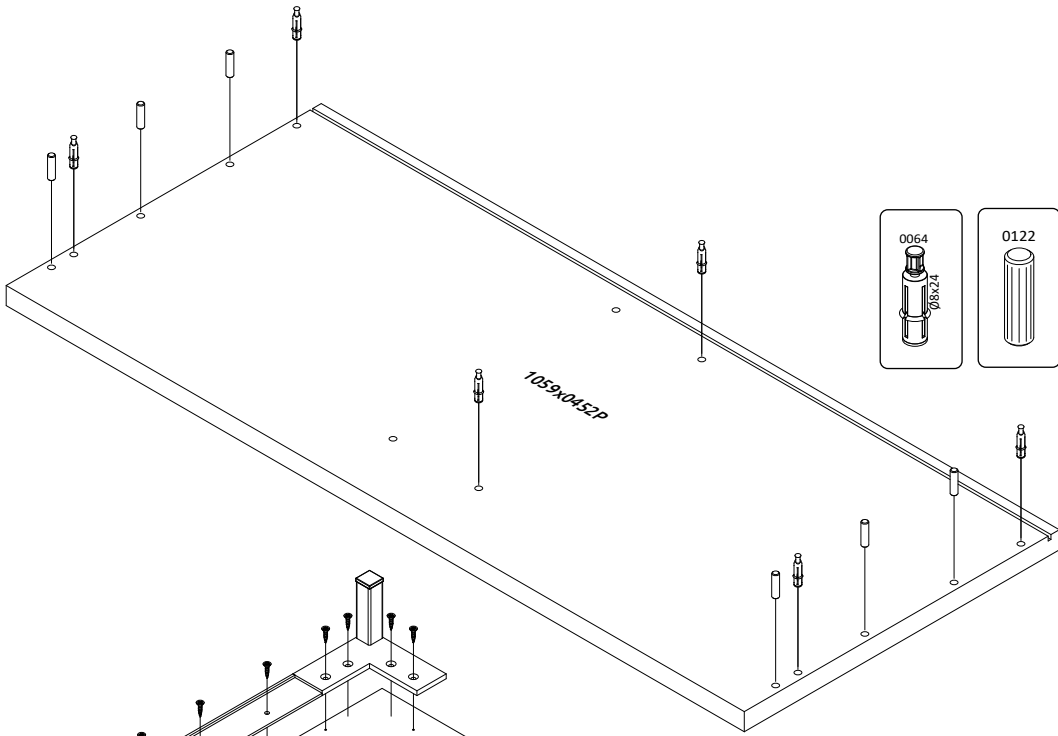


**K13/AV**  
LWH - 1059x876x452

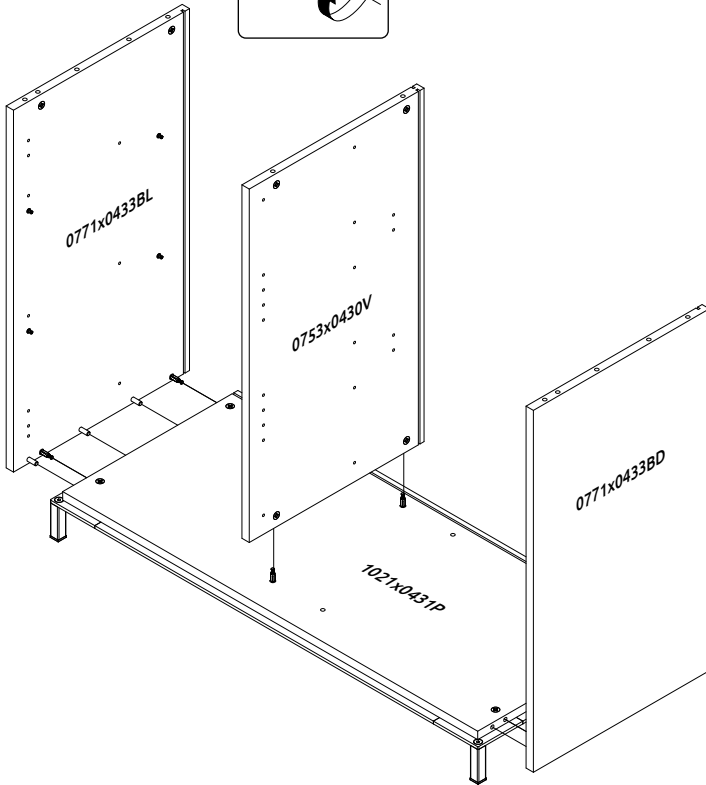
<b>x17</b> 0094 3.5x16	<b>x20</b> 0095 3.5x20	<b>x12</b> 102 6.3x13	<b>x24</b> 0096 4x18	<b>x24</b> 0064 1/8x24	<b>x12</b> 0122	<b>x12</b> 0065 Ø15x10	<b>x12</b> 0063 Ø15x13	<b>x8</b> EKSF4H-18	<b>x12</b> EKSK-TEX	<b>x2</b> EKSK4-BE	<b>x20</b> 0108	<b>x2</b> EKSK4-TEX	<b>x4</b> 47674
<b>x8</b> 16535	<b>x1</b> 0113 GLUE	<b>x1</b> 6319	<b>x3</b> 14080	<b>x2</b> 14066	<b>x3</b> L/599 38601	<b>x1</b> L/455 38609	<b>x2</b> L/224 40503	<b>x1</b> L/833 40509	<b>x1</b> 0121 1.4x25				



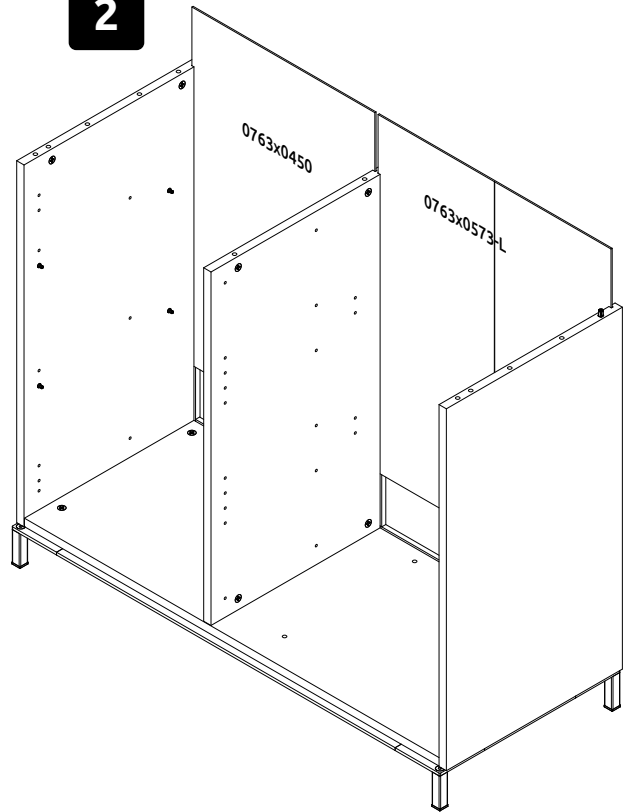




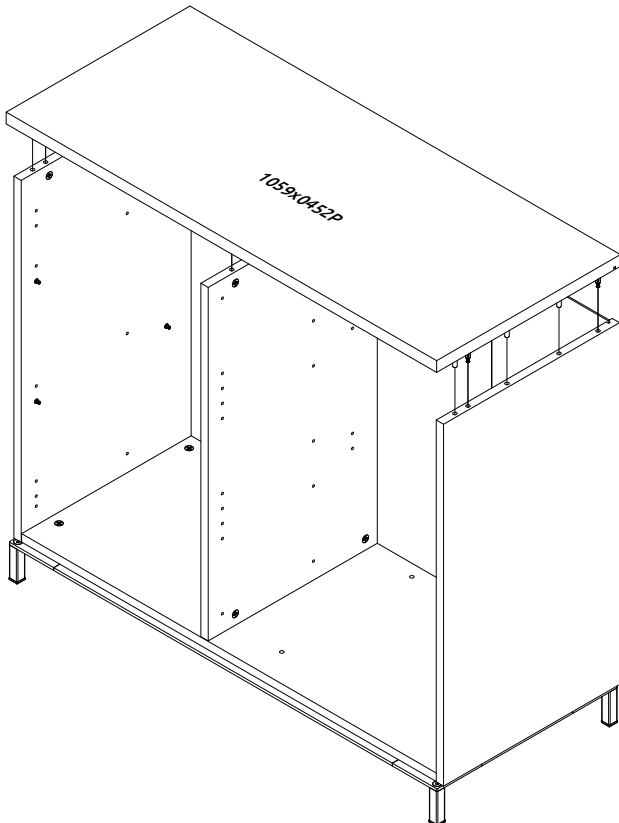
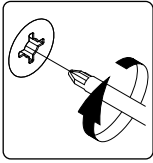
1



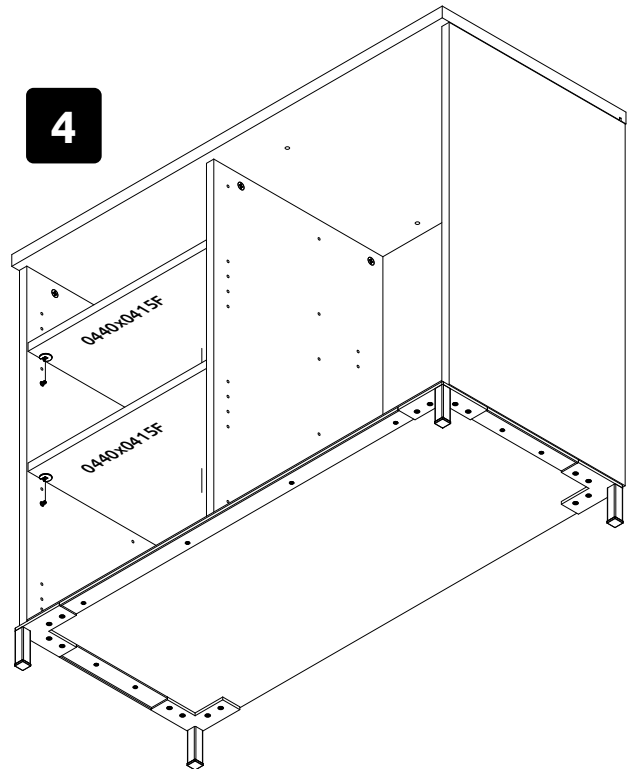
2



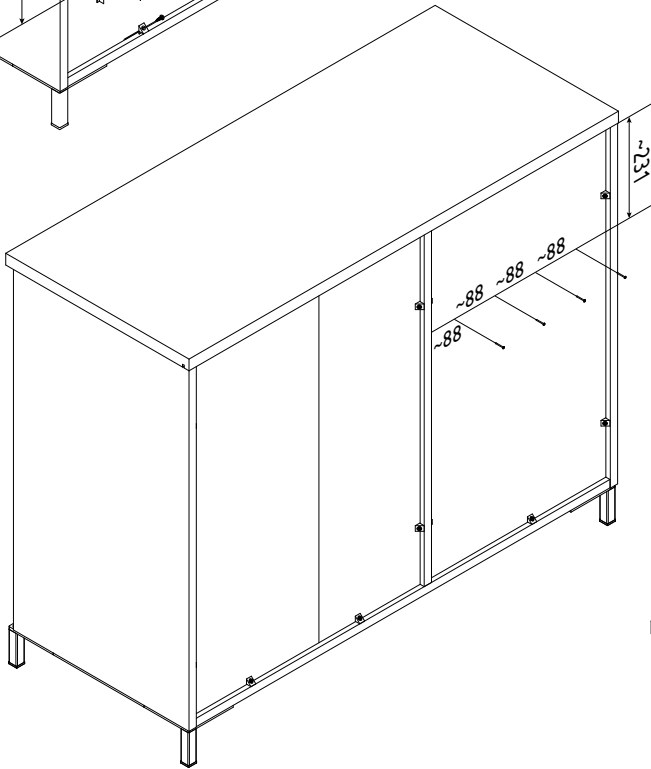
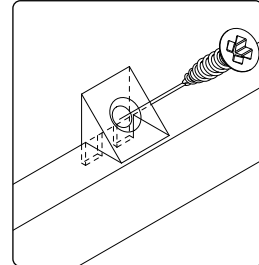
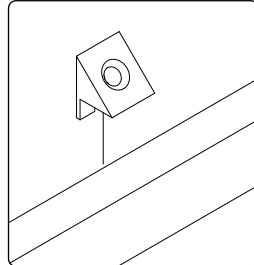
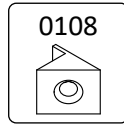
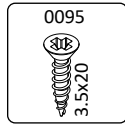
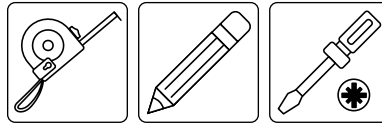
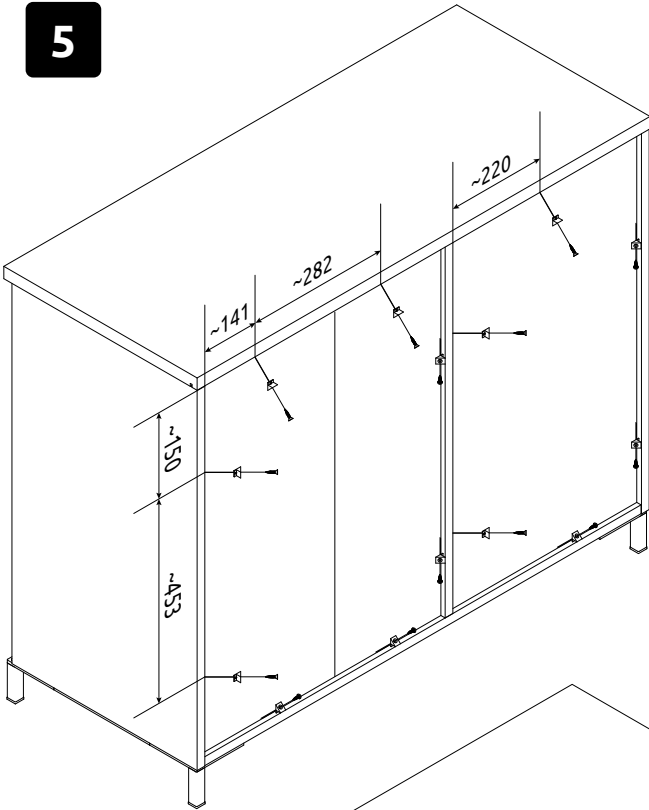
3



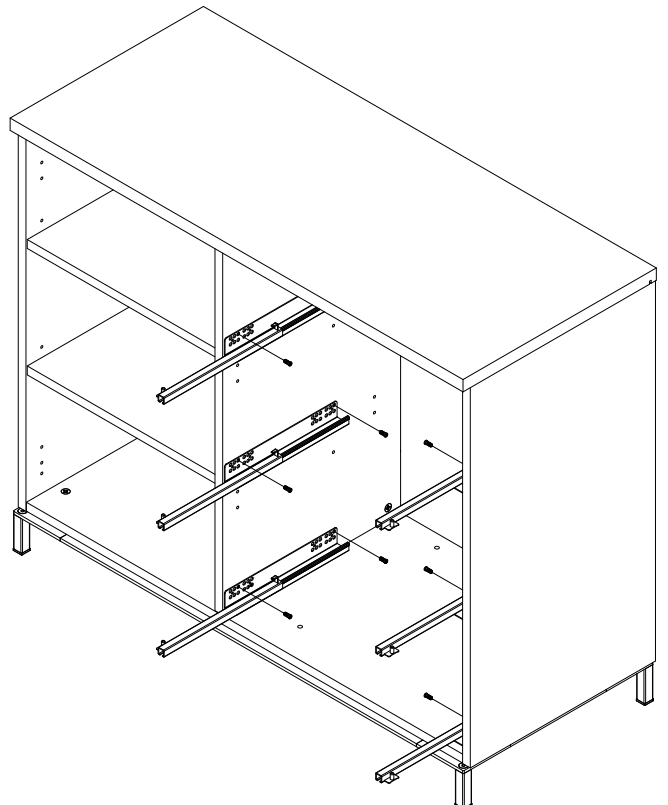
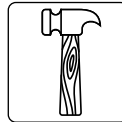
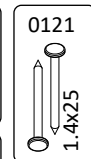
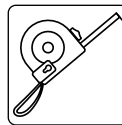
4



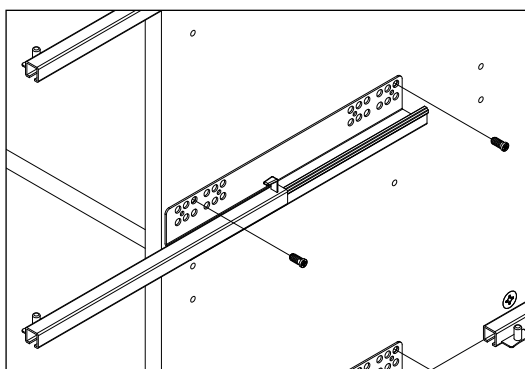
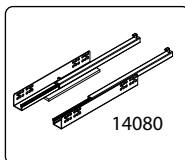
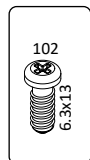
5



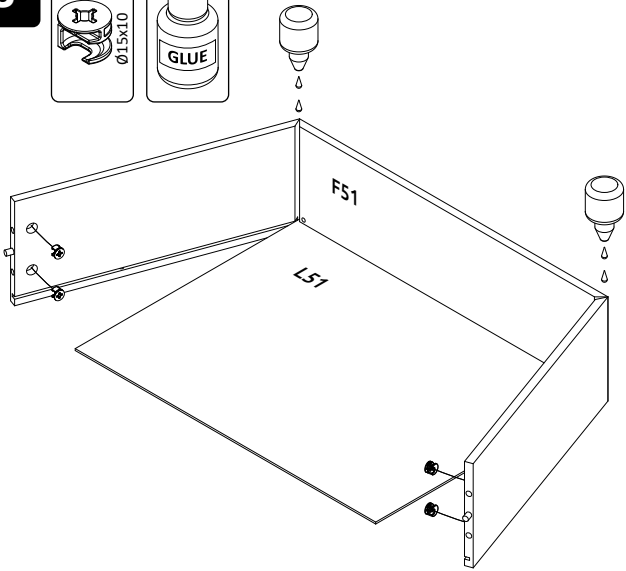
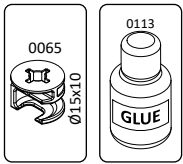
6



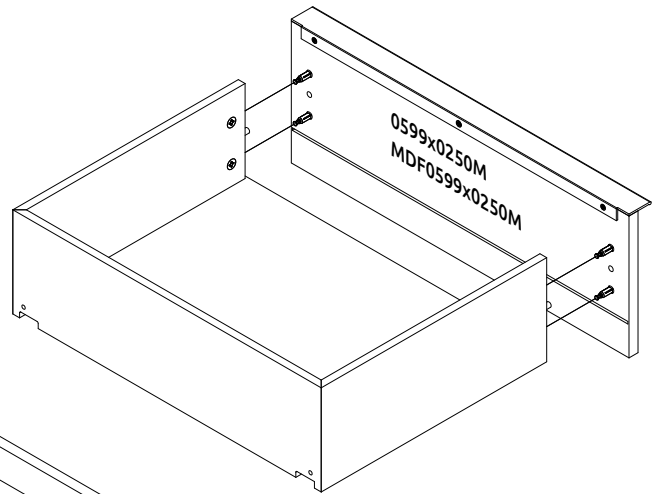
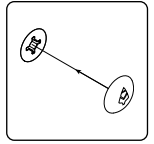
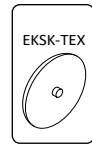
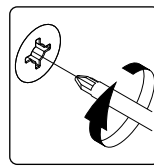
7



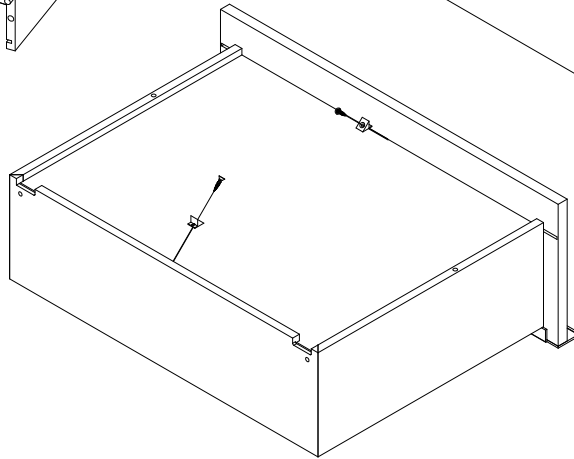
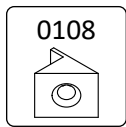
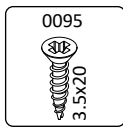
8



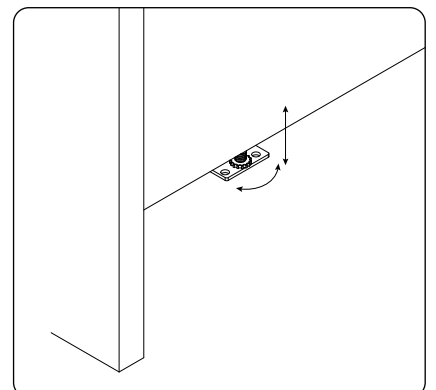
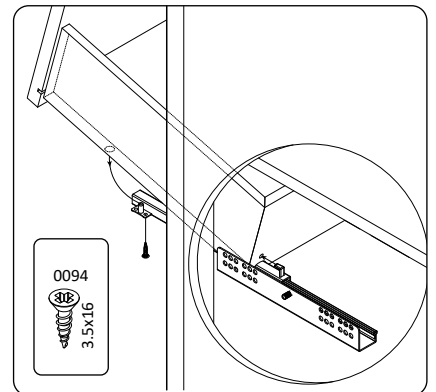
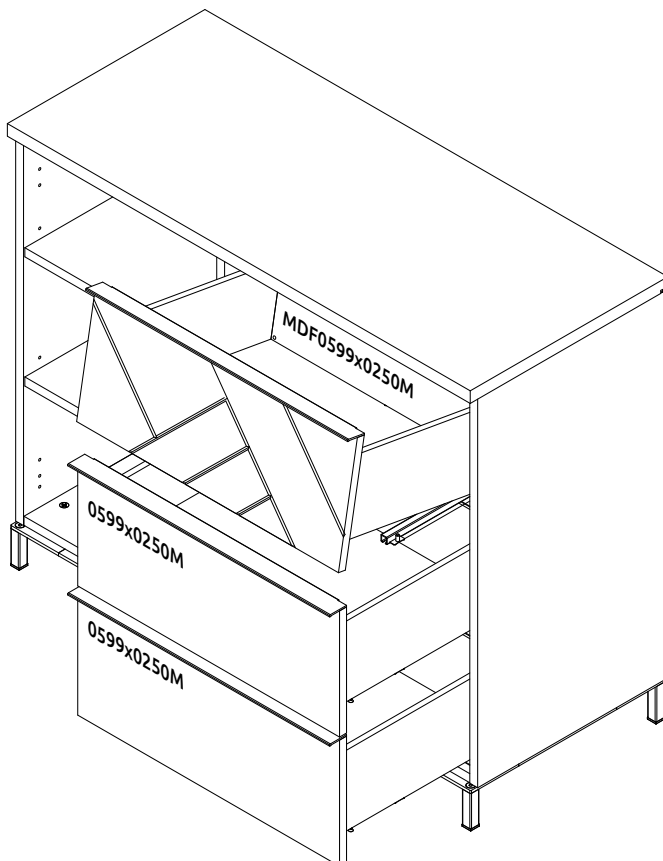
9

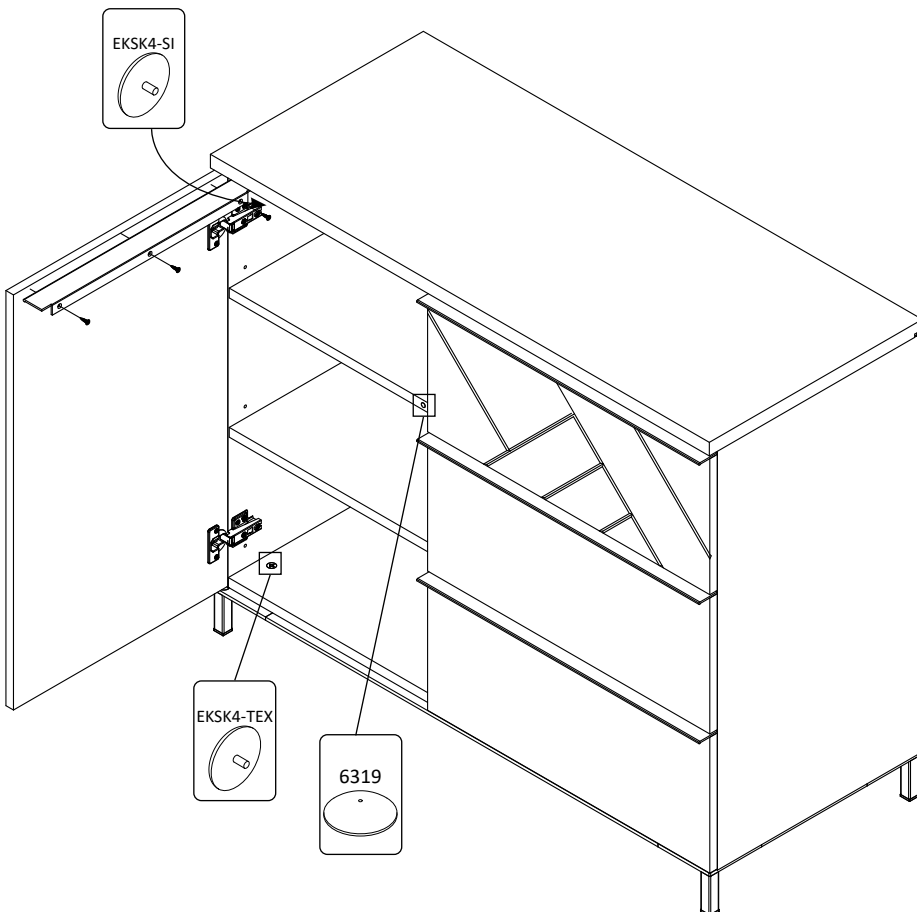
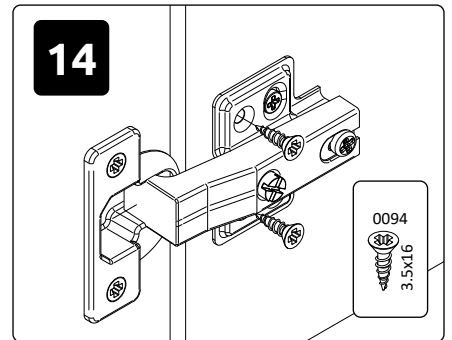
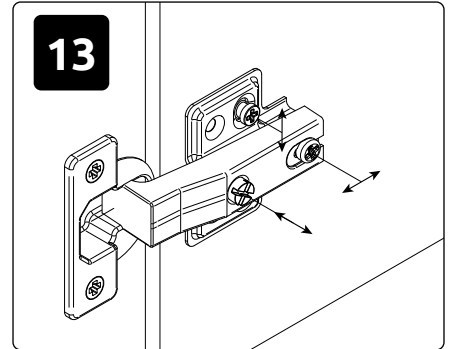
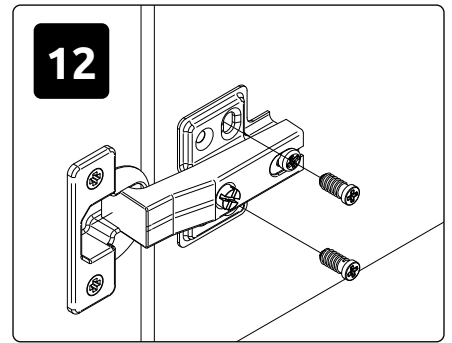
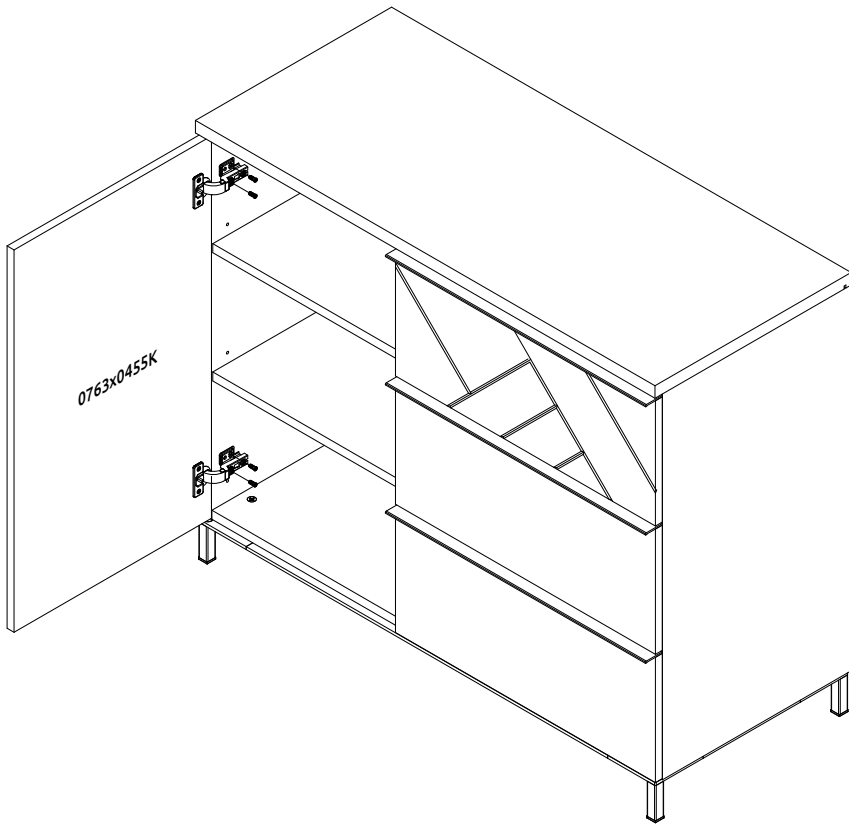


10



11





**15**

