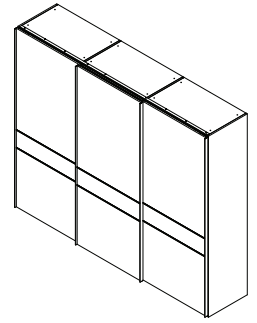
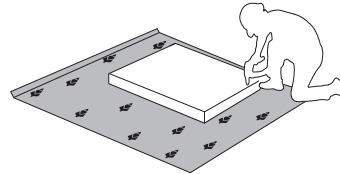
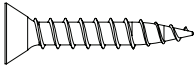
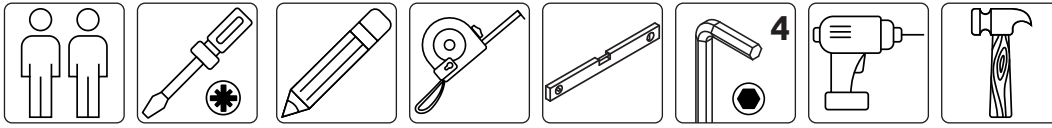


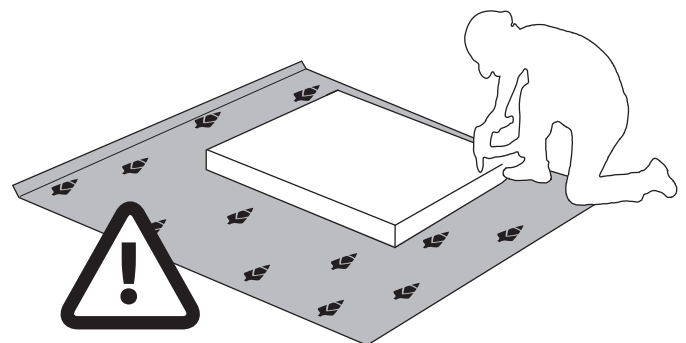


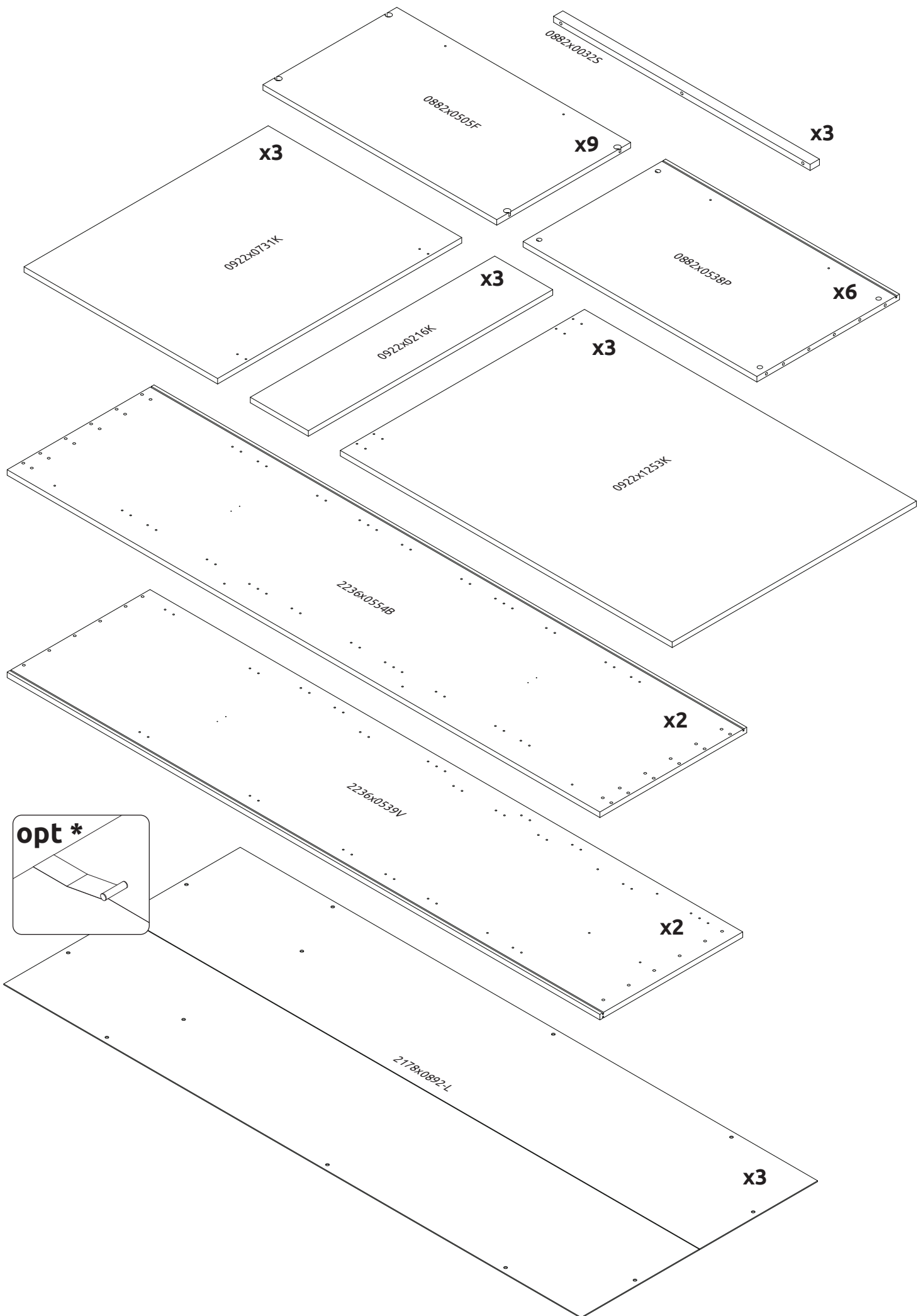
IMPORTANT - READ CAREFULLY - RETAIN FOR FUTURE REFERENCE
WICHTIG - SORGFÄLTIG LESEN UND AUFBEWAHREN

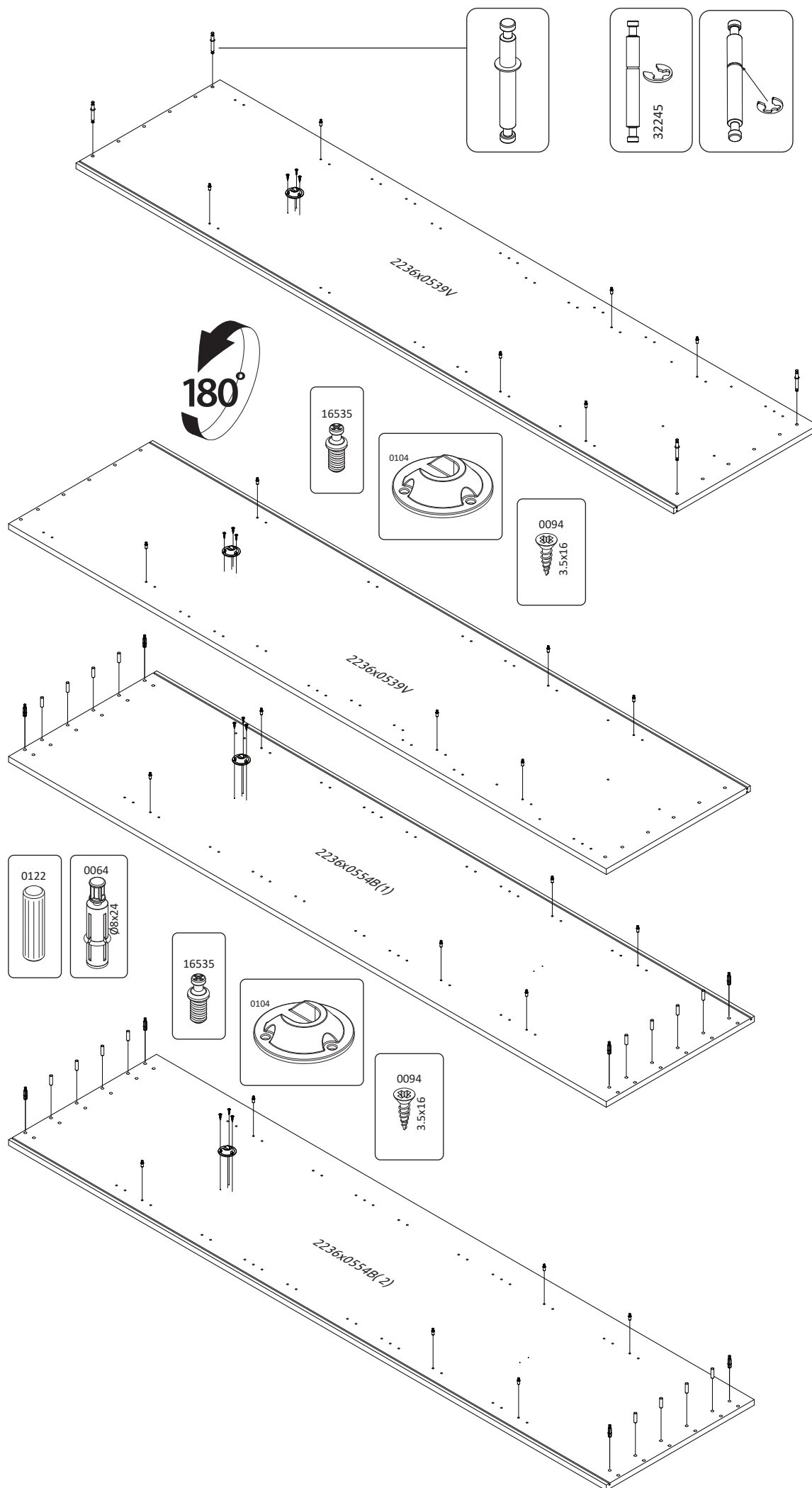


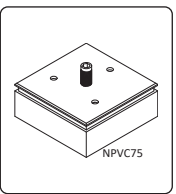
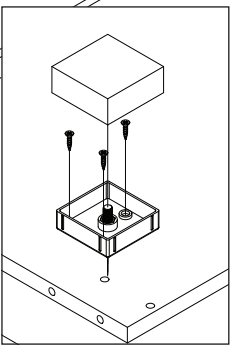
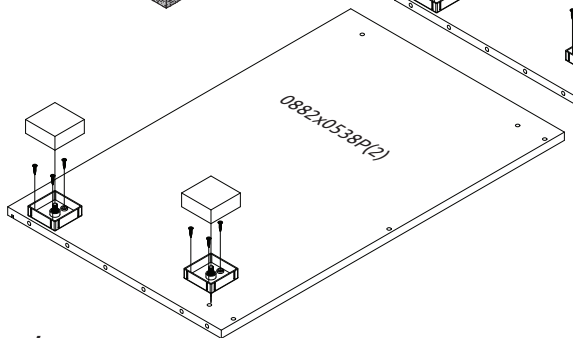
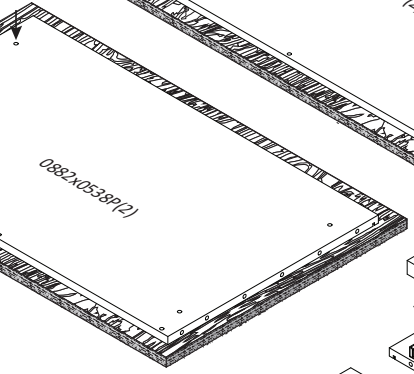
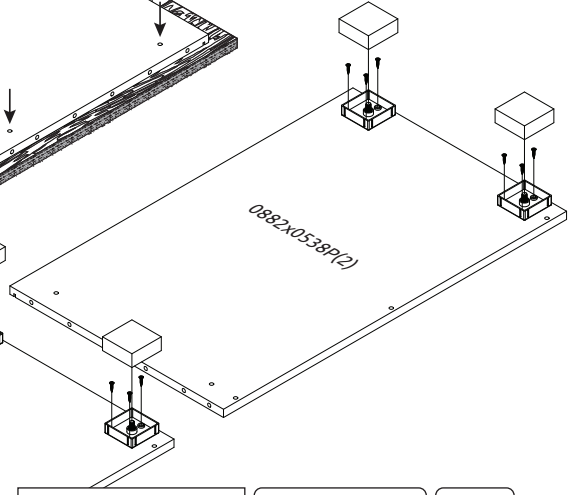
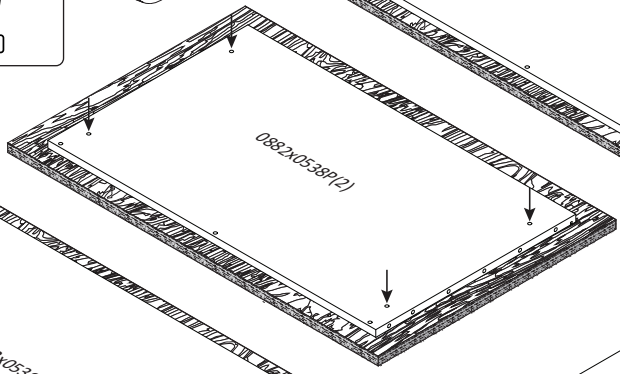
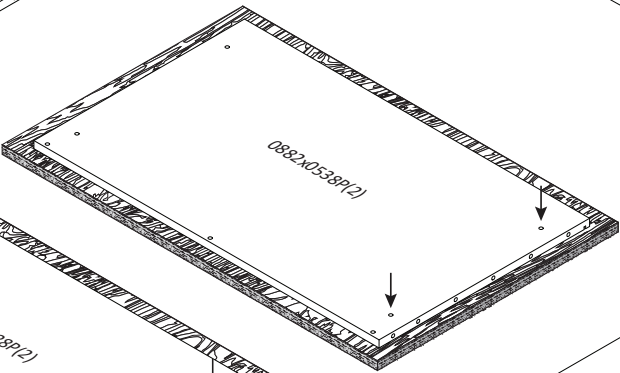
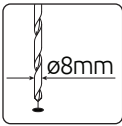
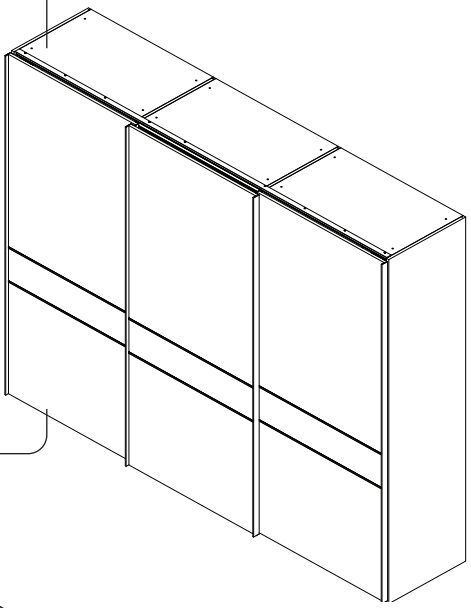
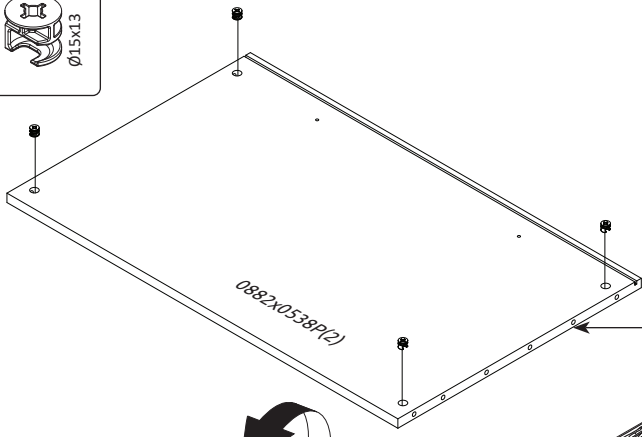
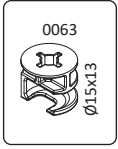
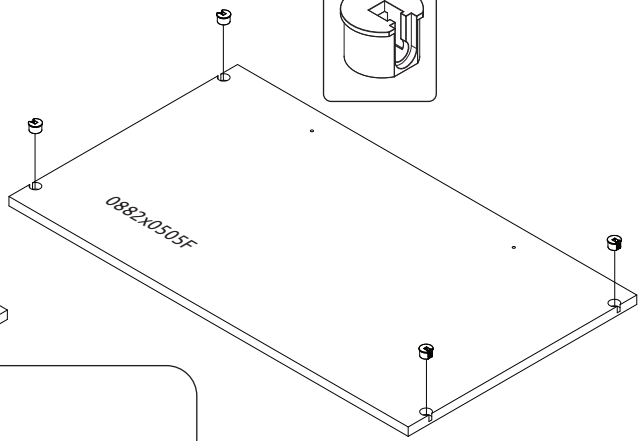
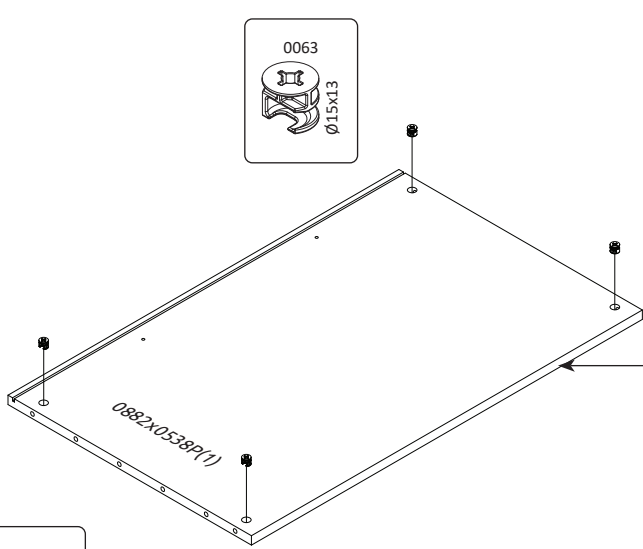
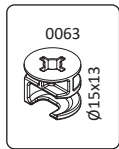
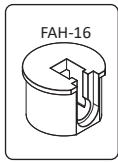
PK281/GL
LWH - 2718x611x2236

x36 2149 	24 0063 Ø15x13 	x8 0064 Ø8x24 	x36 16535 	x22 0102 	x24 EKSK4-BE 	x2 2114 4x35 	x84 0094 3.5x16 	x90 31777 4.2x16 	x13 0096 4x18 	
x3 7004 	x6 30812 	x2 36918 	x4 26102 	x1 46946 	x1 46949 	x1 0113 GLUE 				
x1 46950 	x8 NPVC75 	x2 								x1 46952
x24 CEP8 	x36 FAH-16 	x42 0122 	x8 32245 							
x6 0104 	x2 10397 									
x36 36894 										

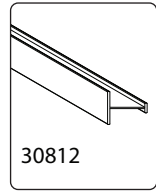
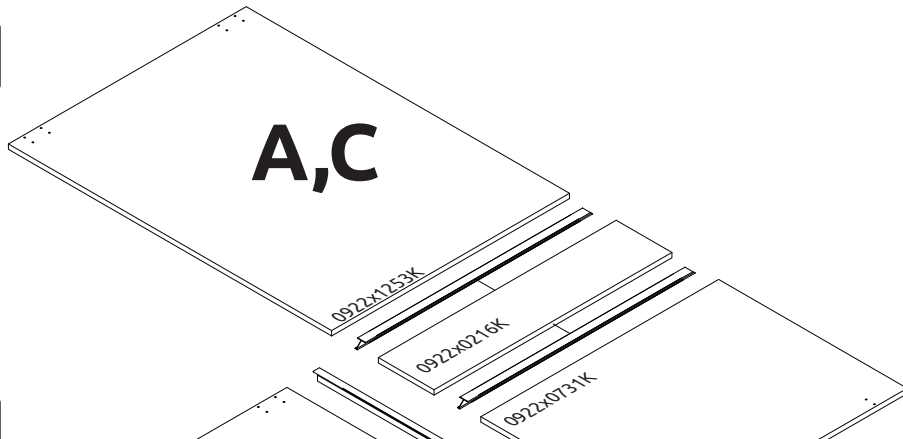




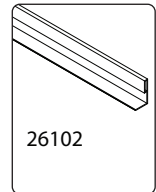
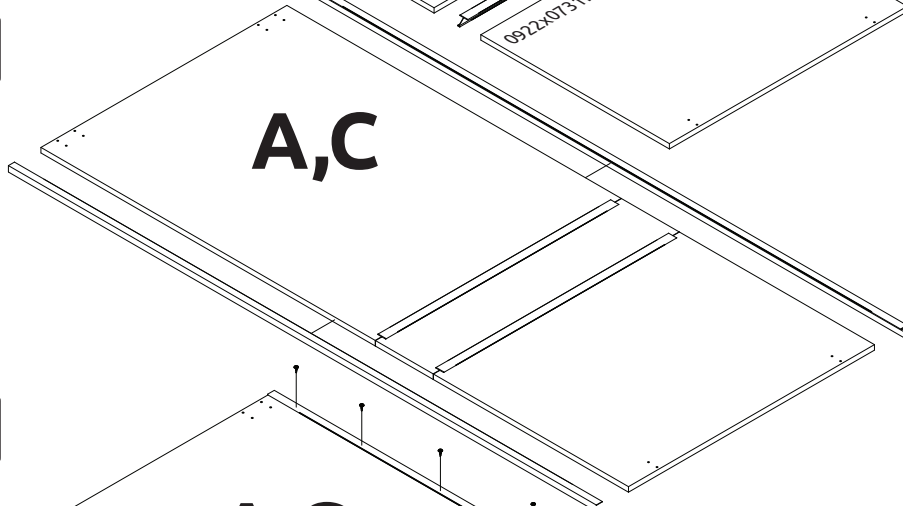




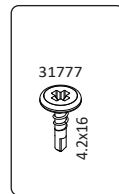
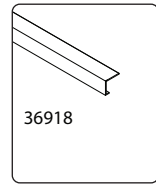
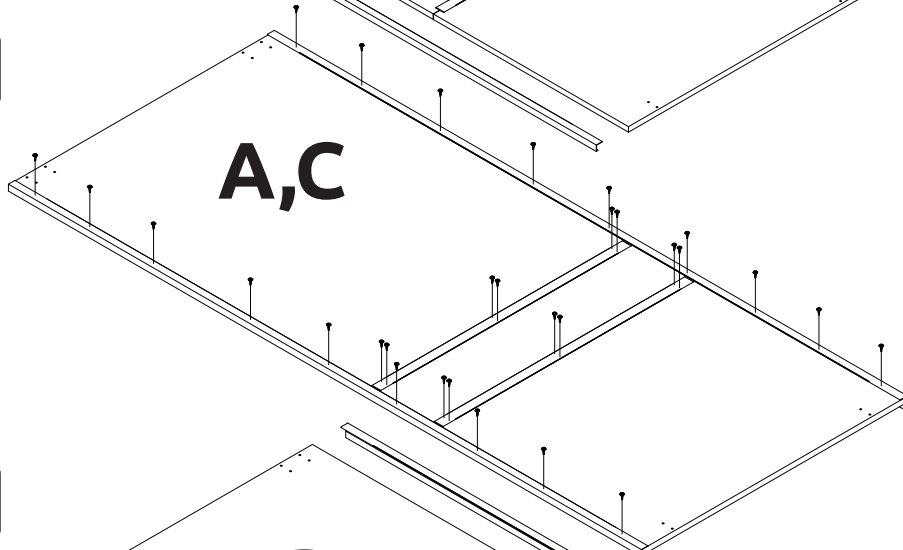
1



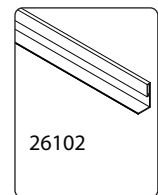
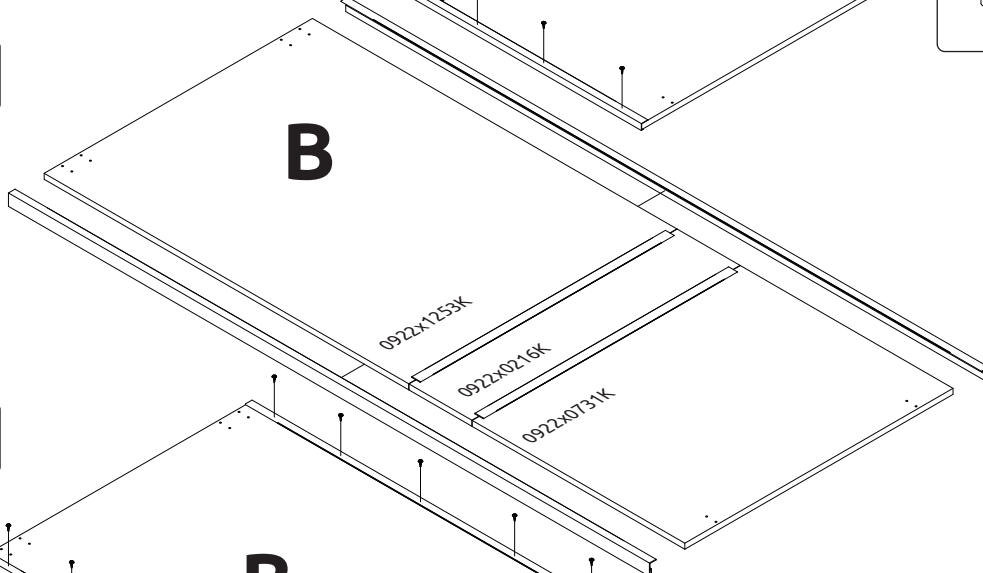
2



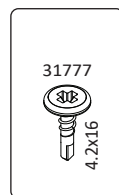
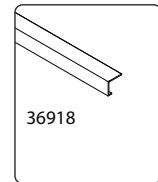
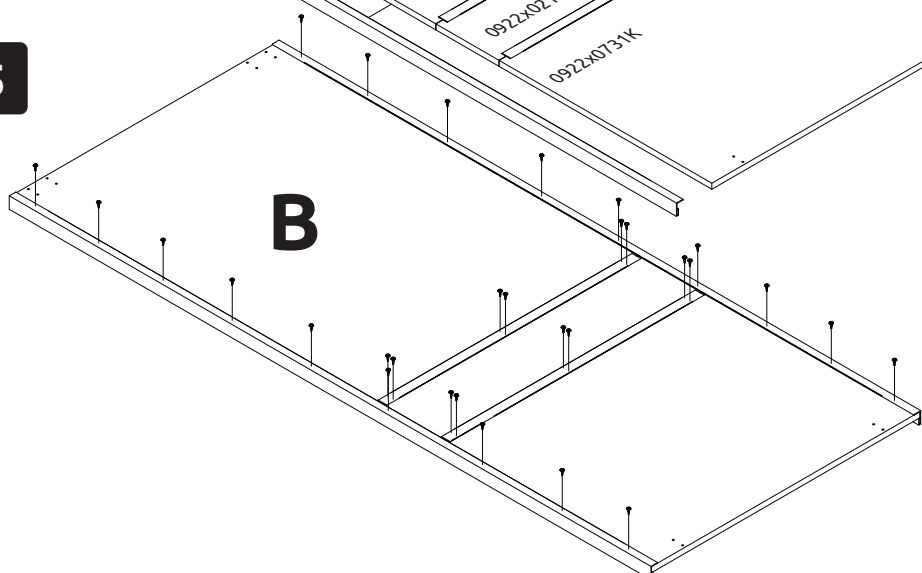
3



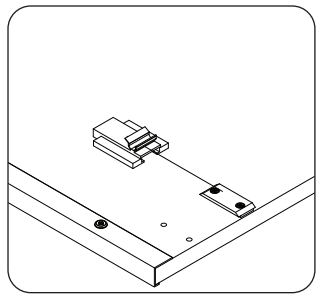
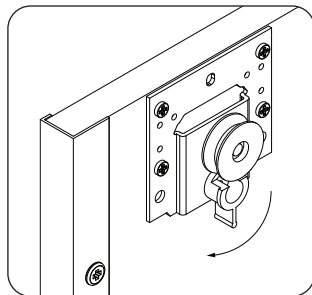
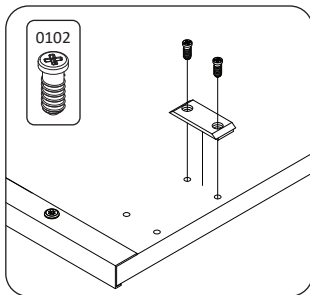
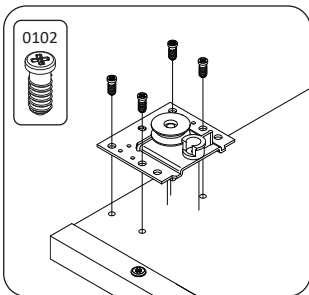
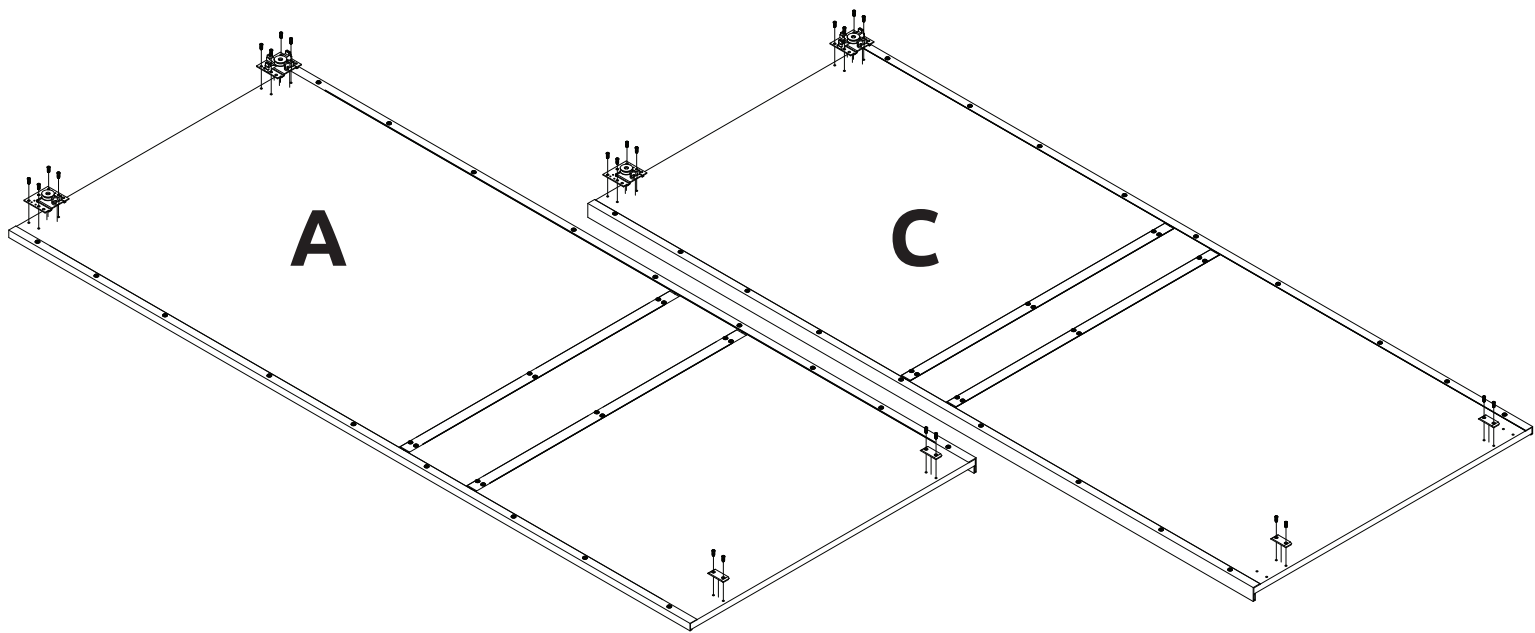
4



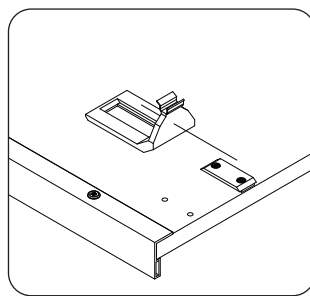
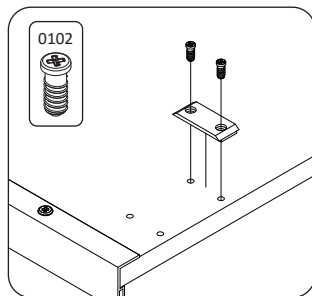
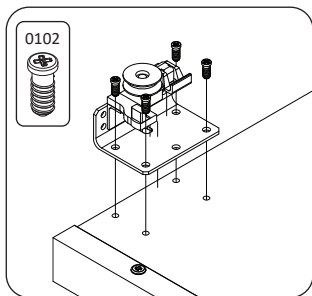
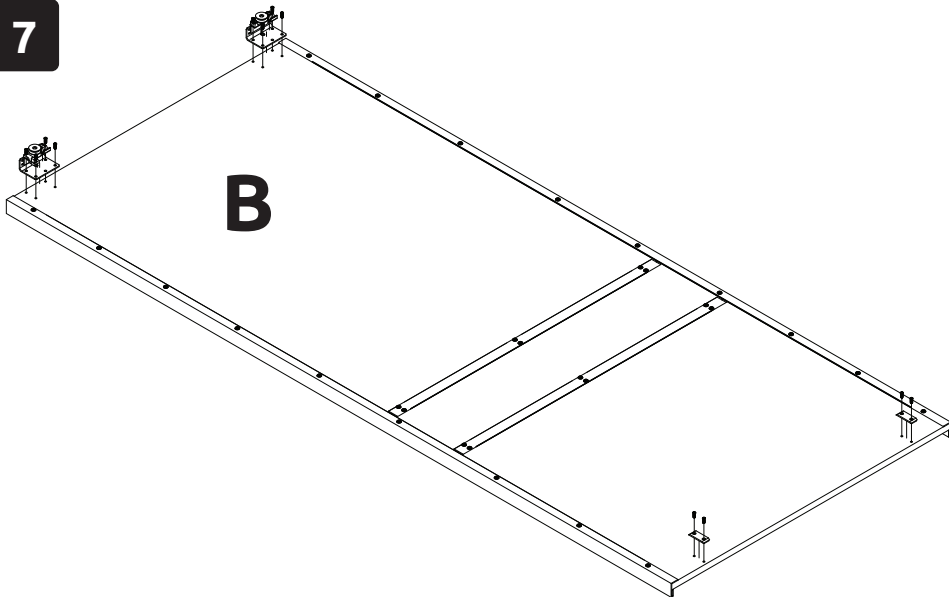
5



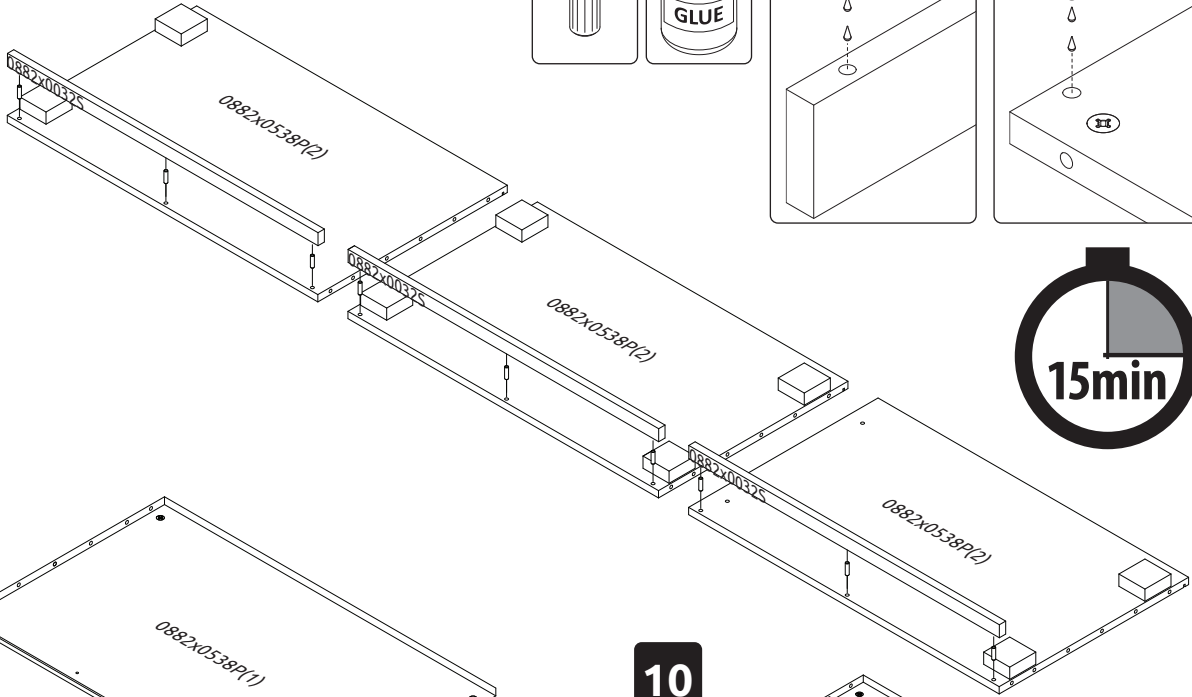
6



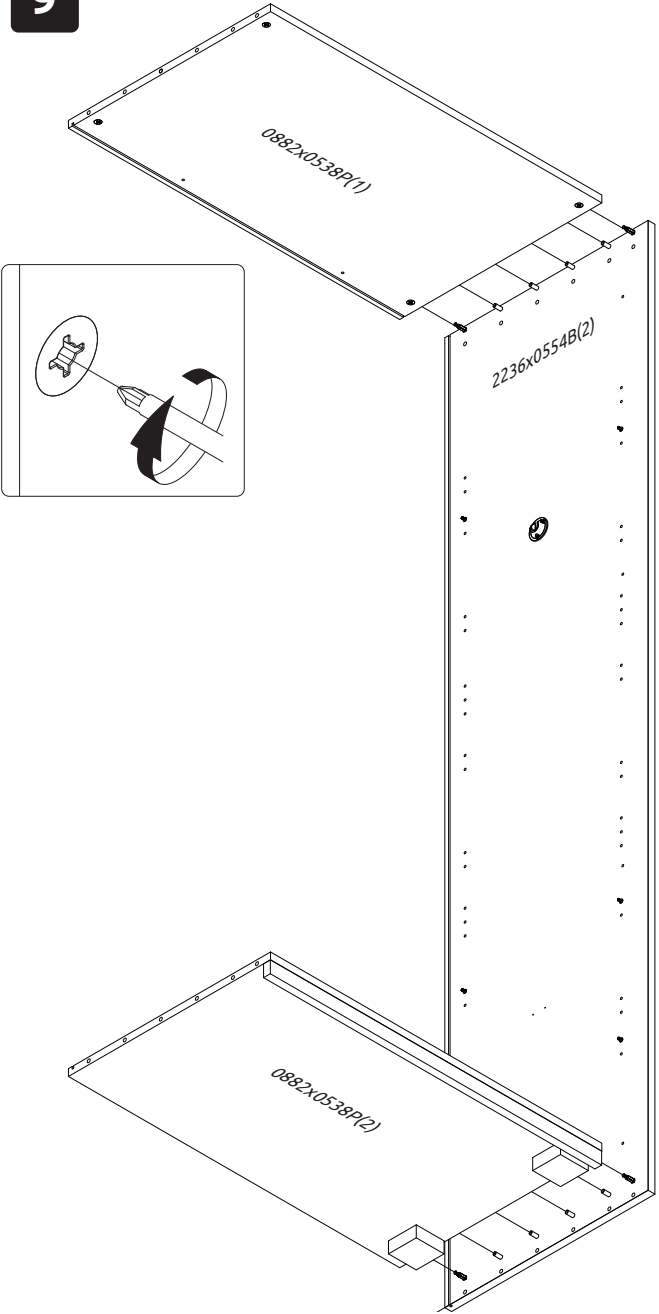
7



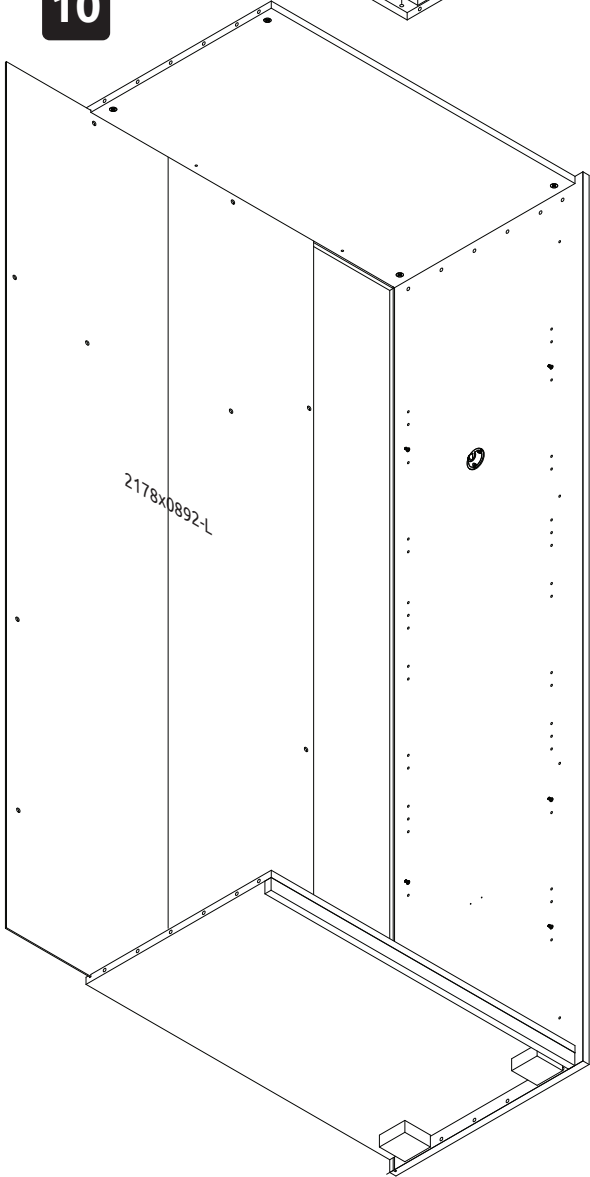
8



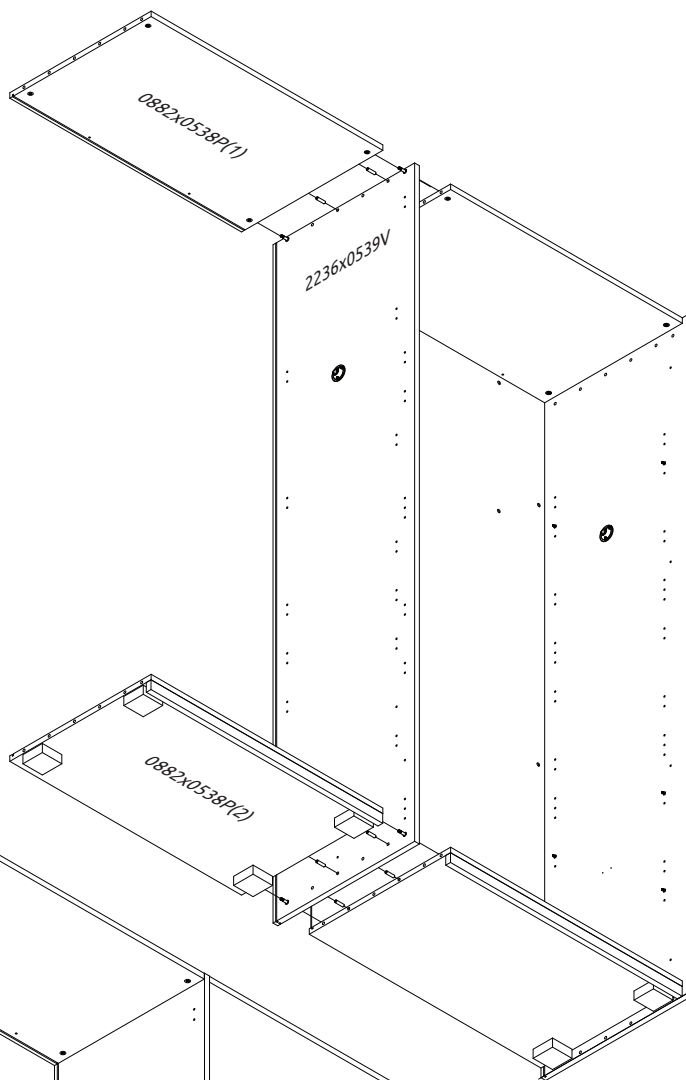
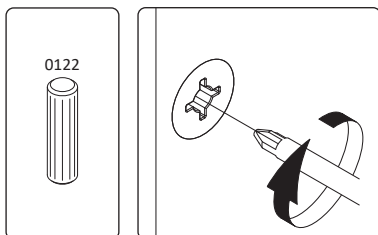
9



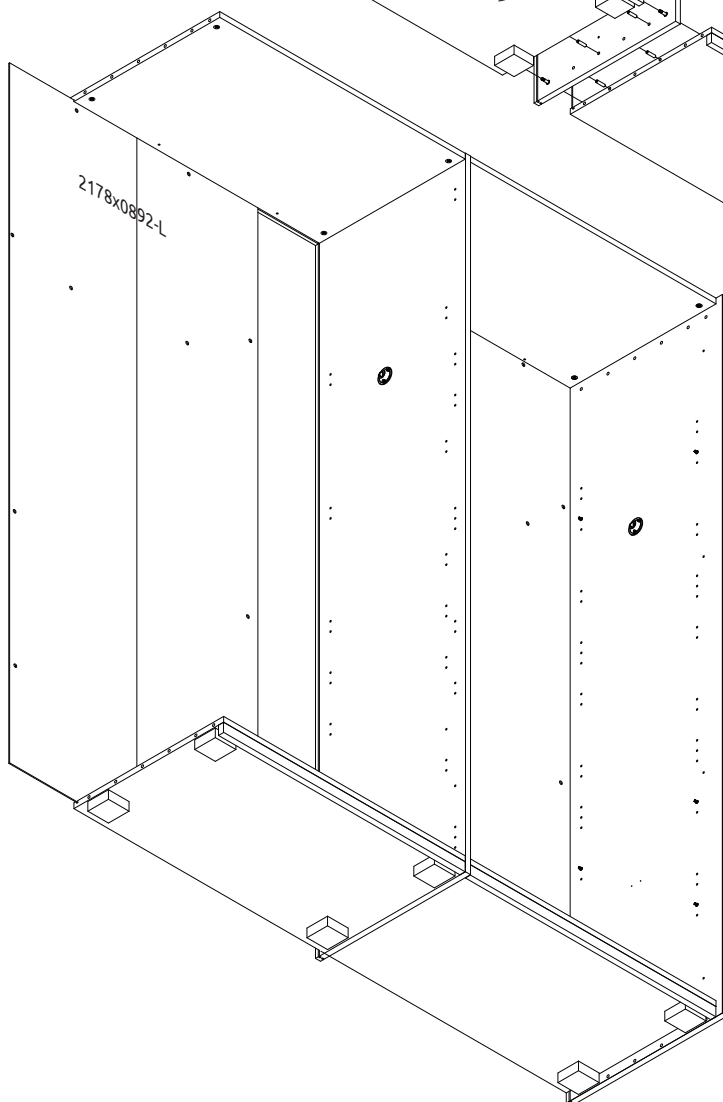
10



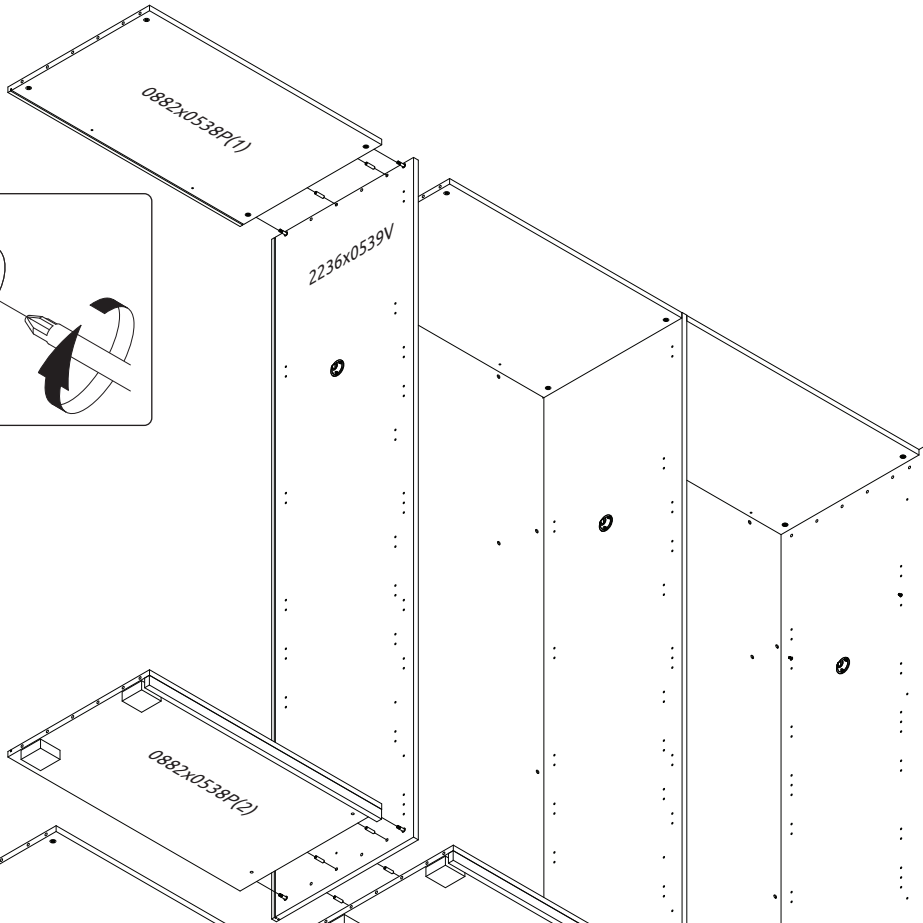
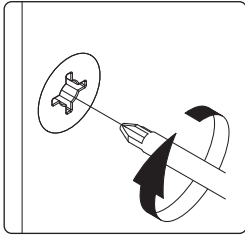
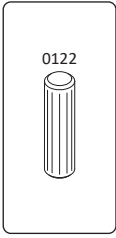
11



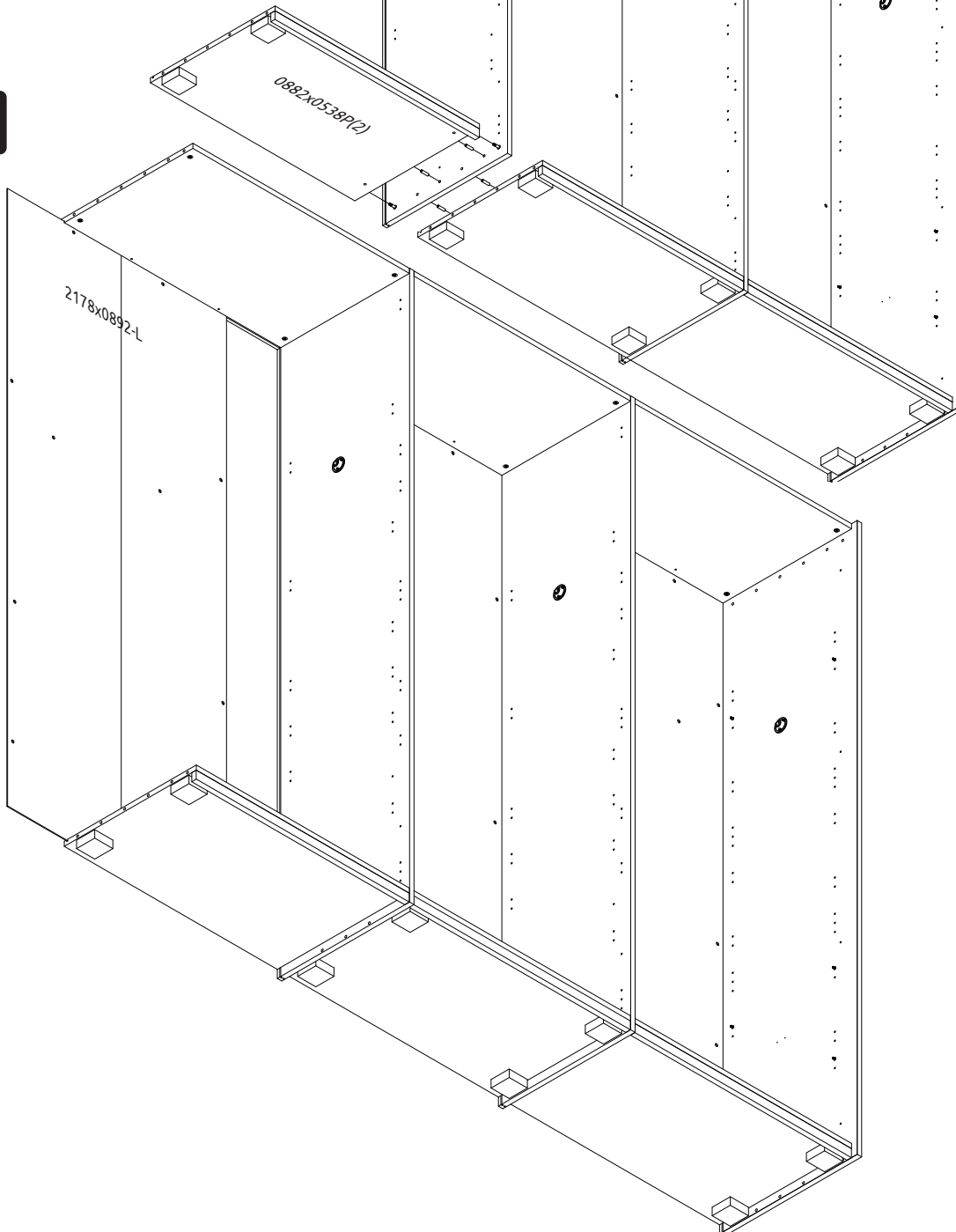
12



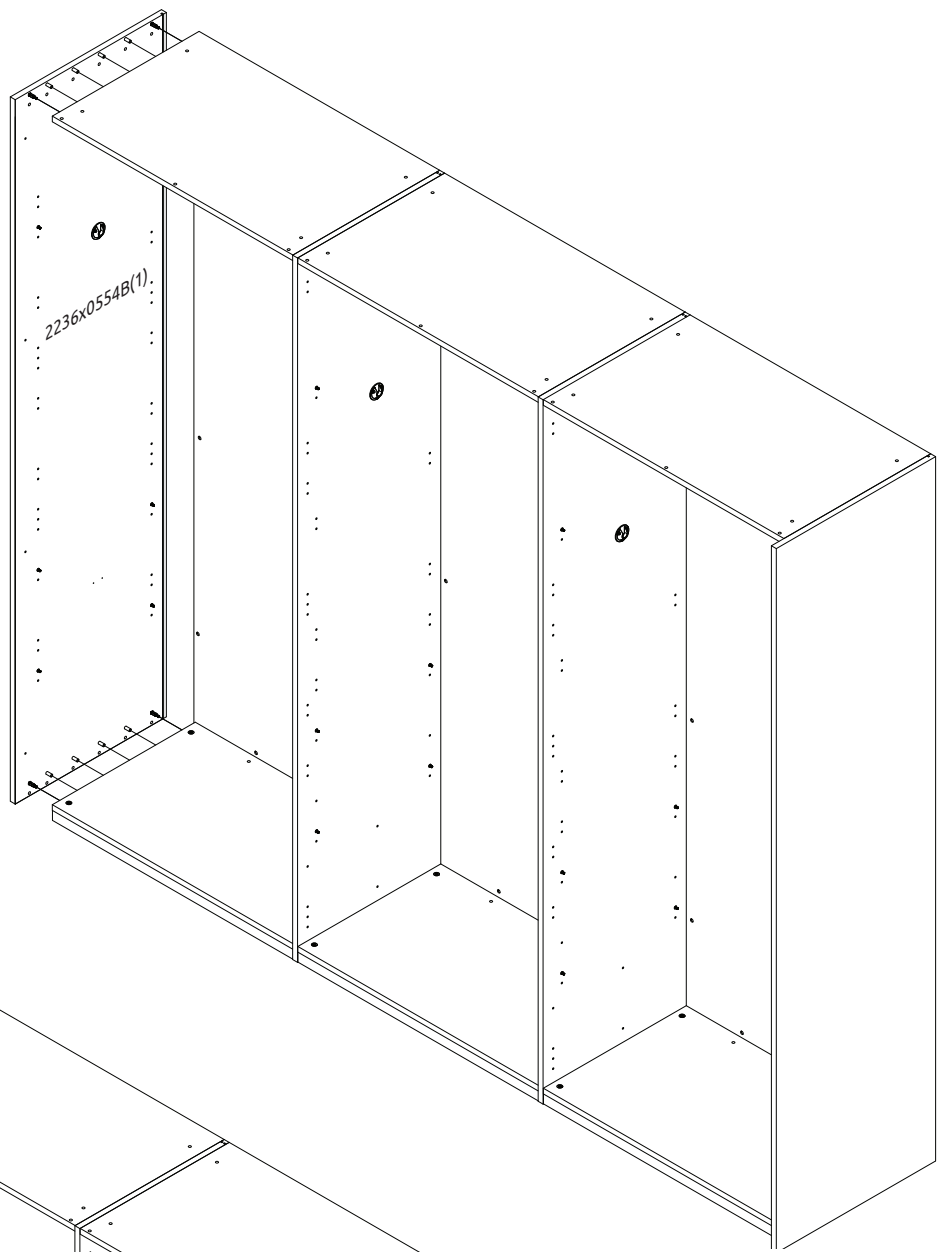
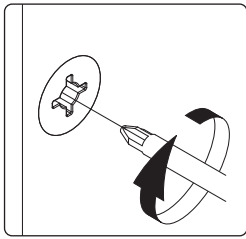
13



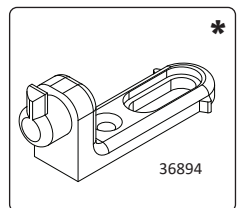
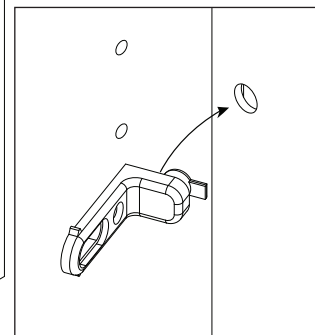
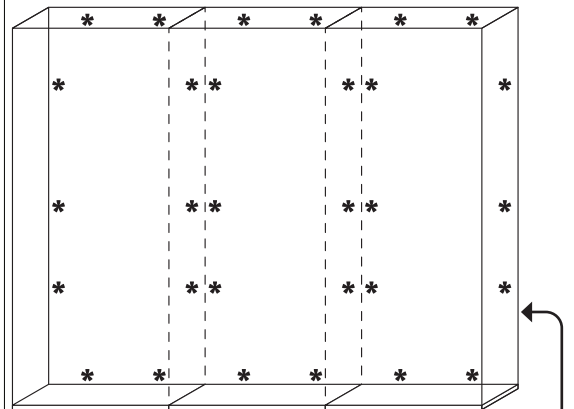
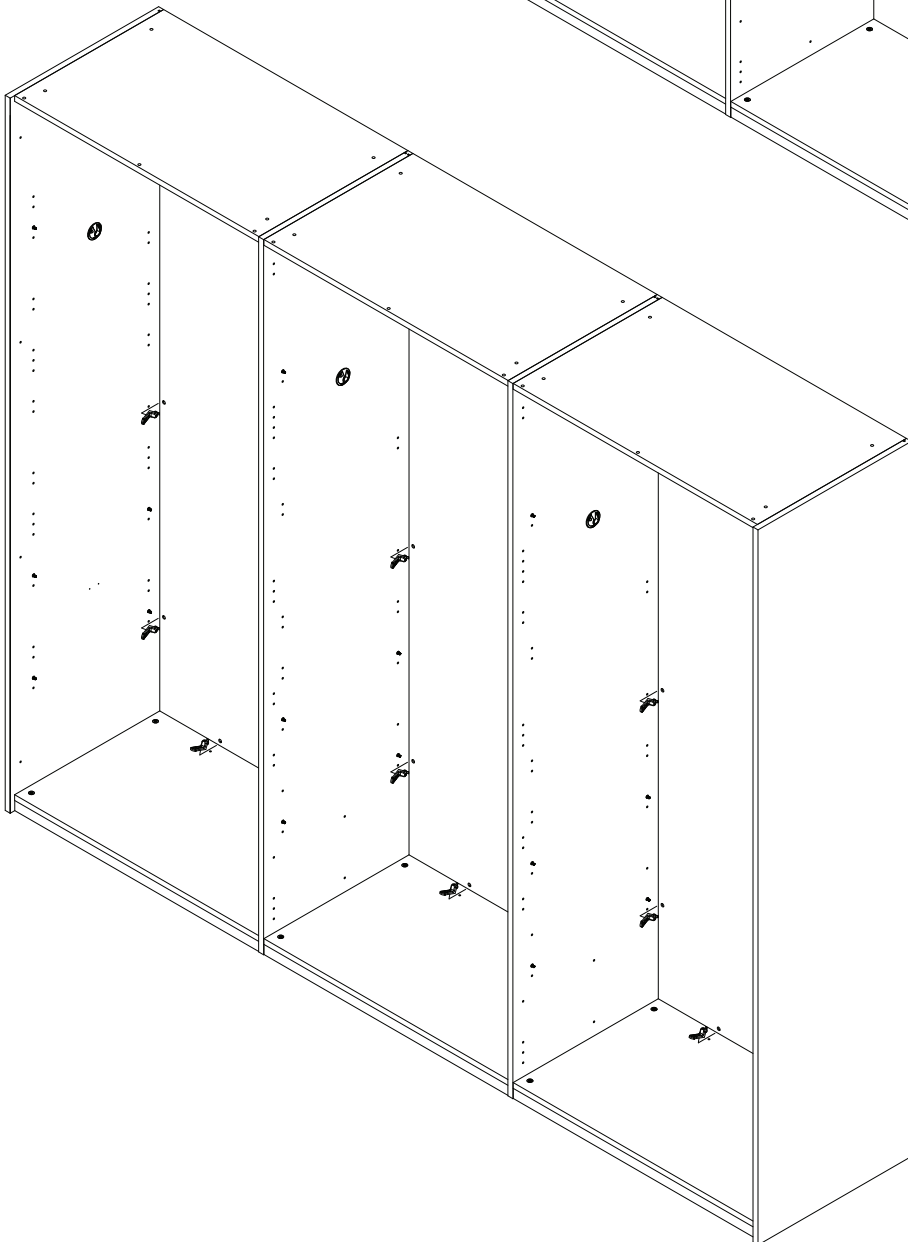
14



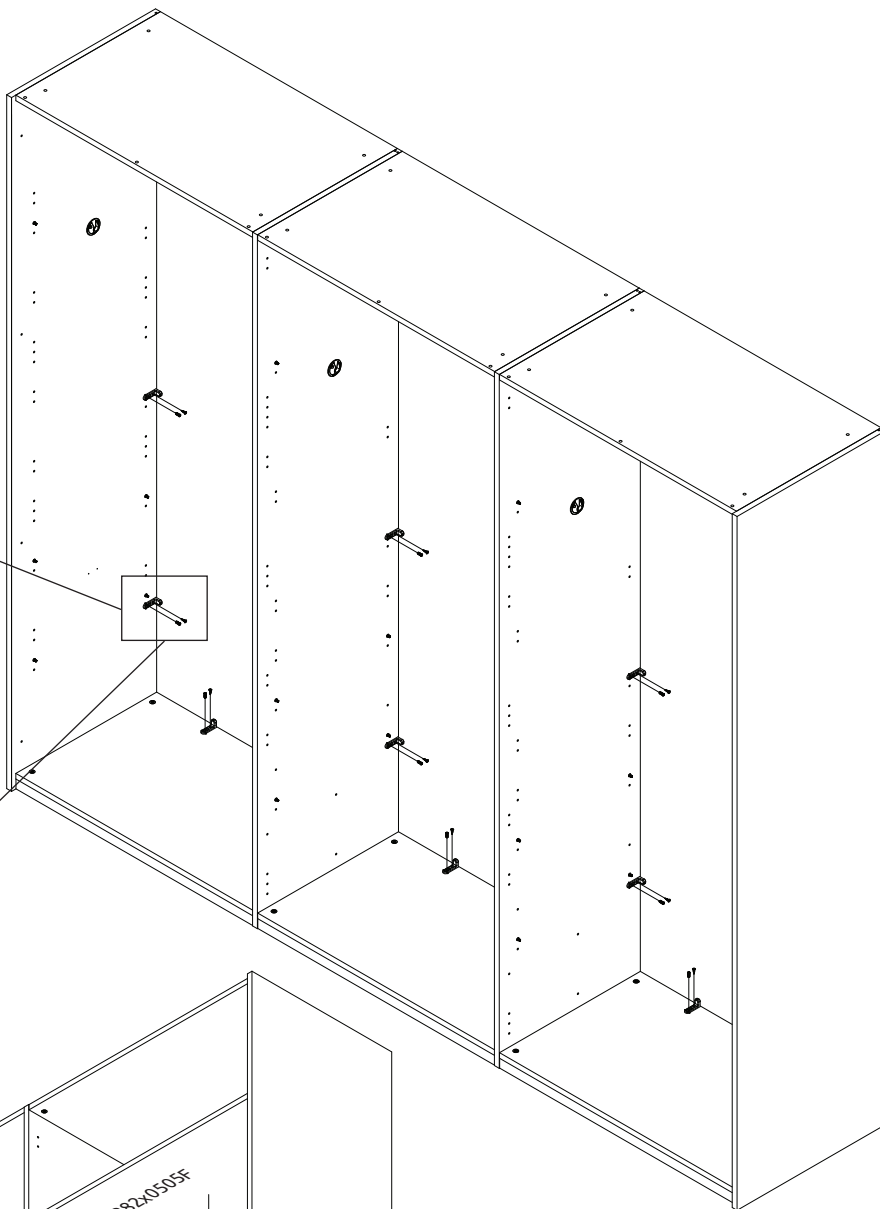
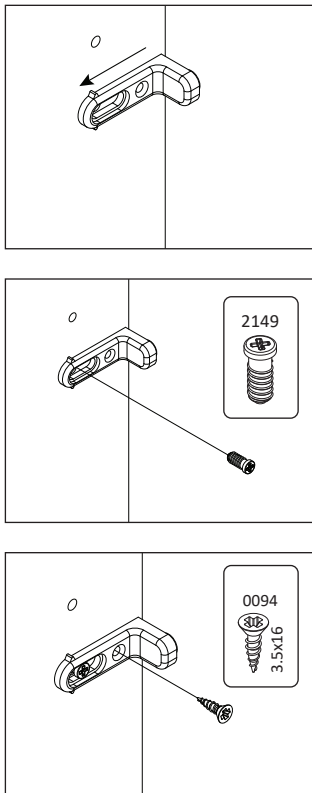
15



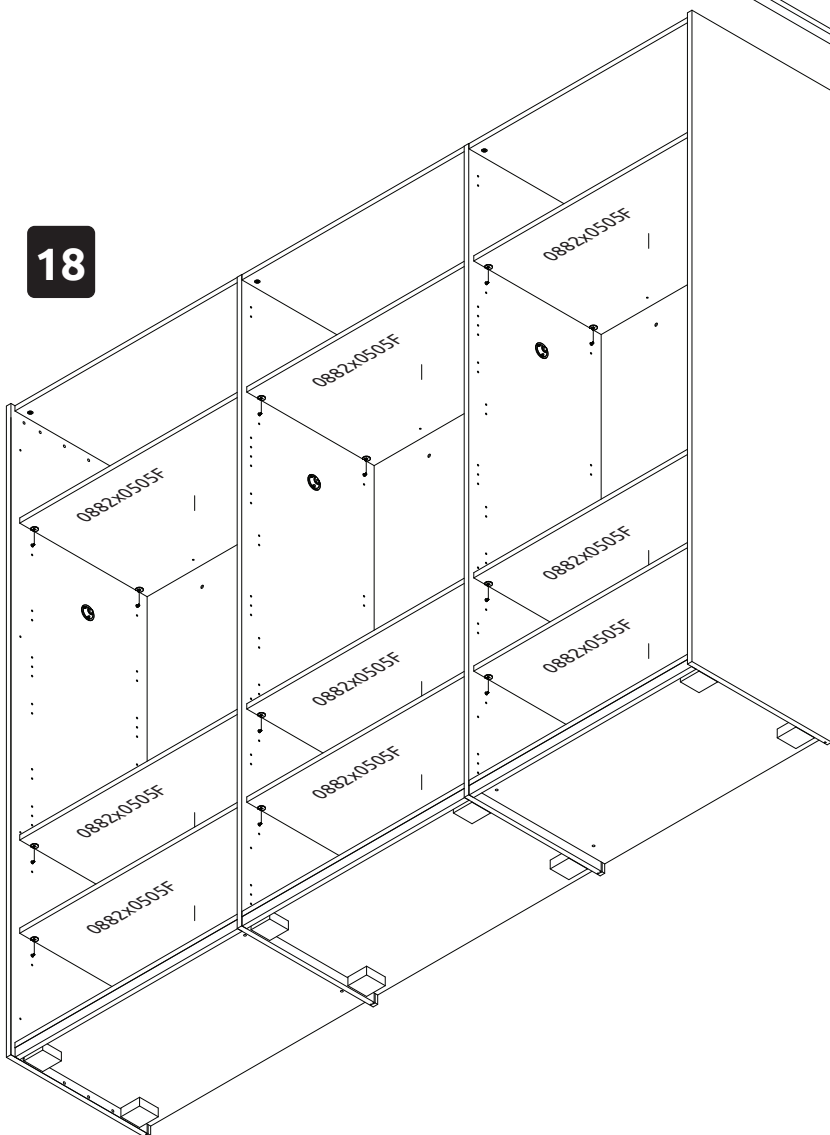
16



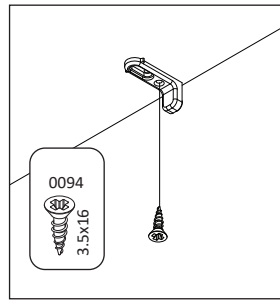
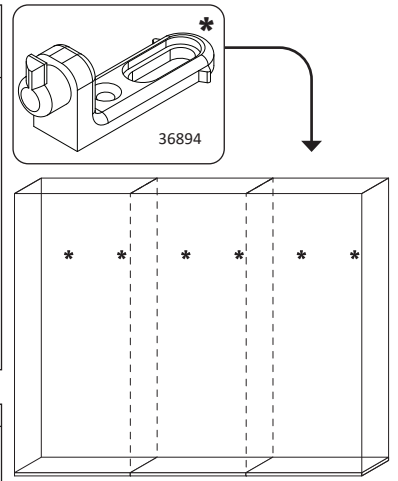
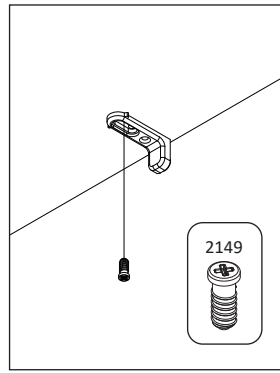
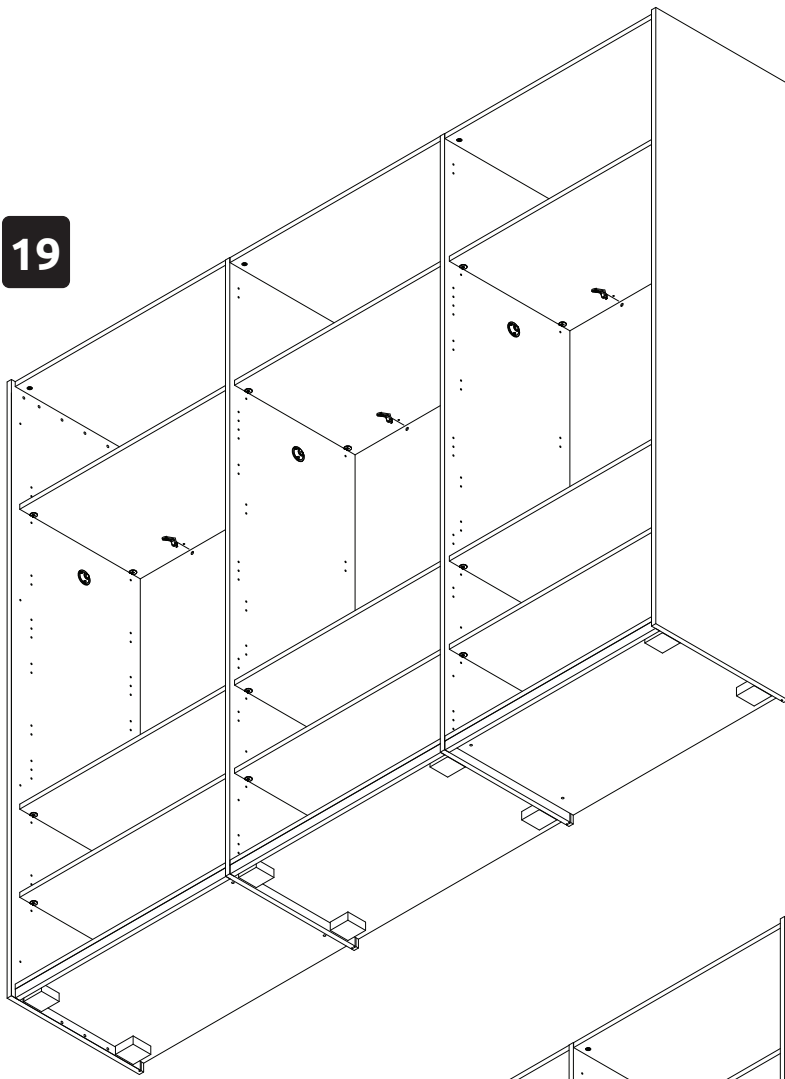
17



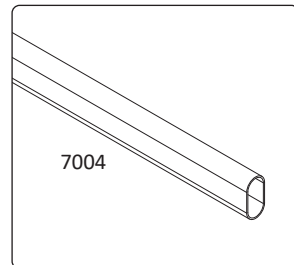
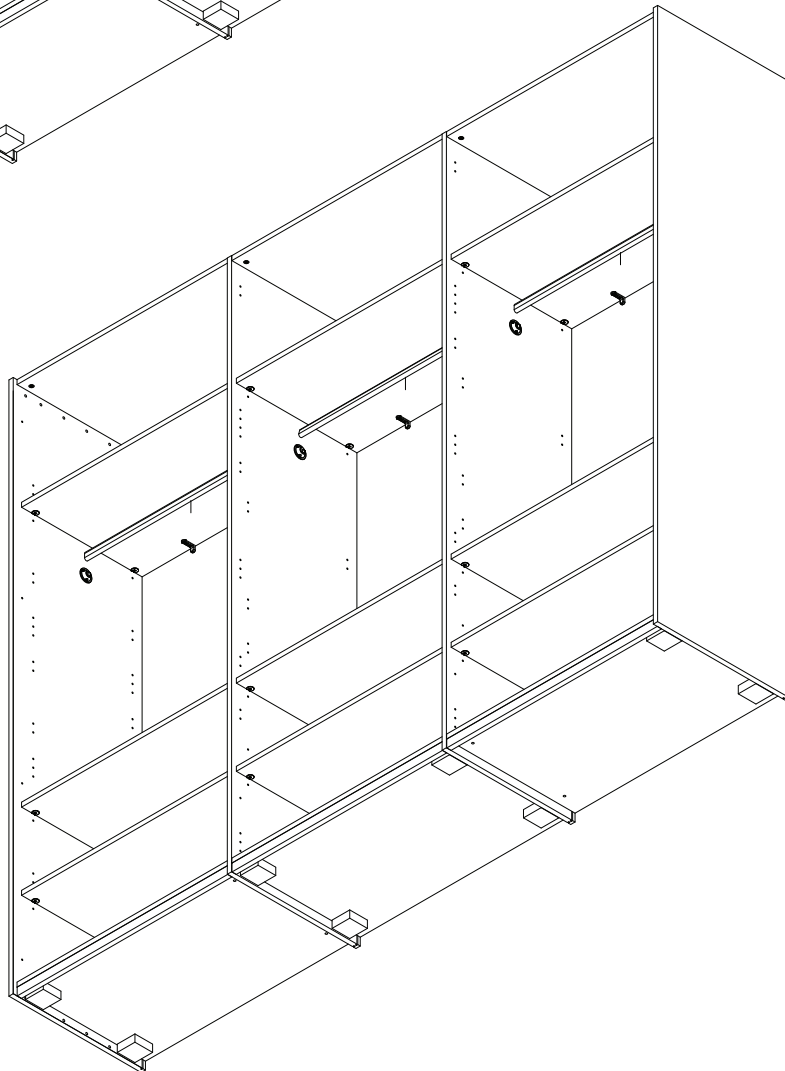
18



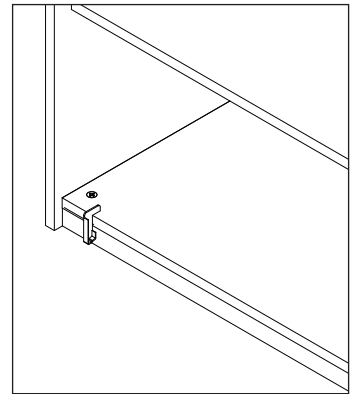
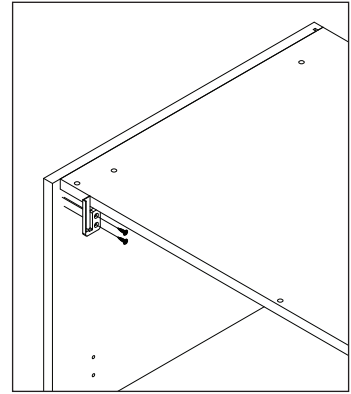
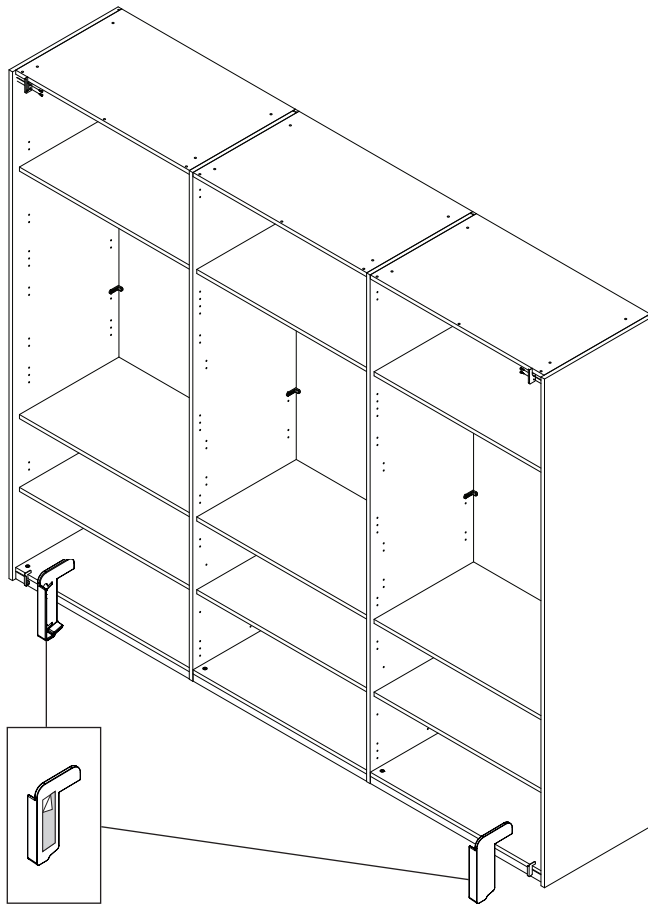
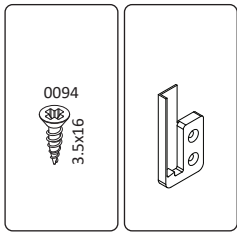
19



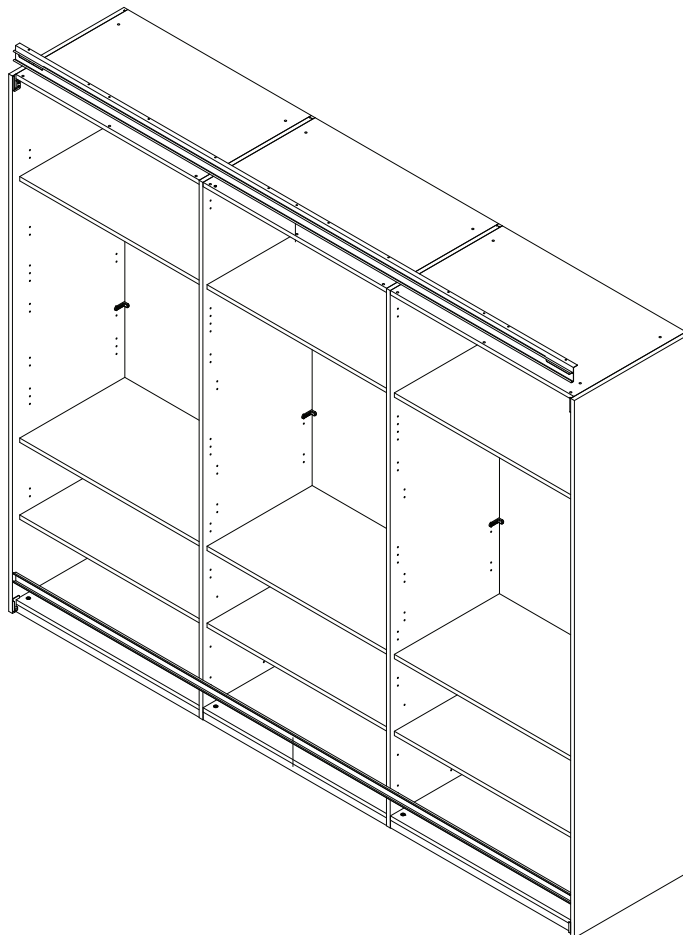
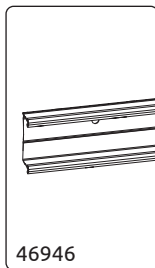
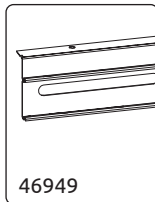
20



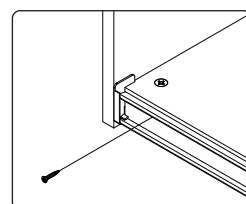
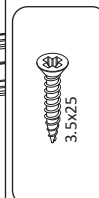
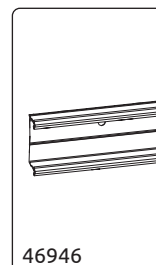
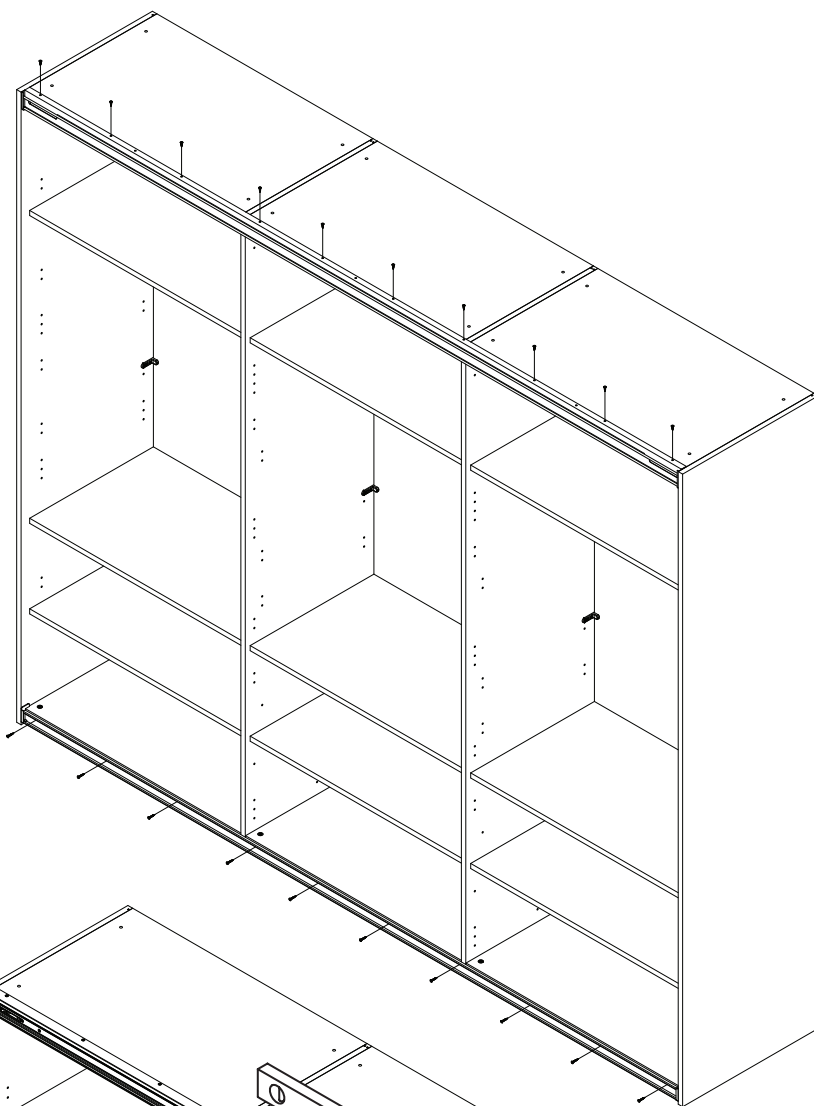
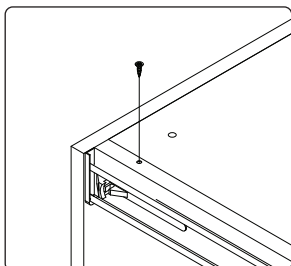
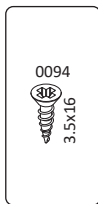
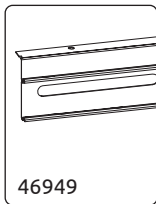
21



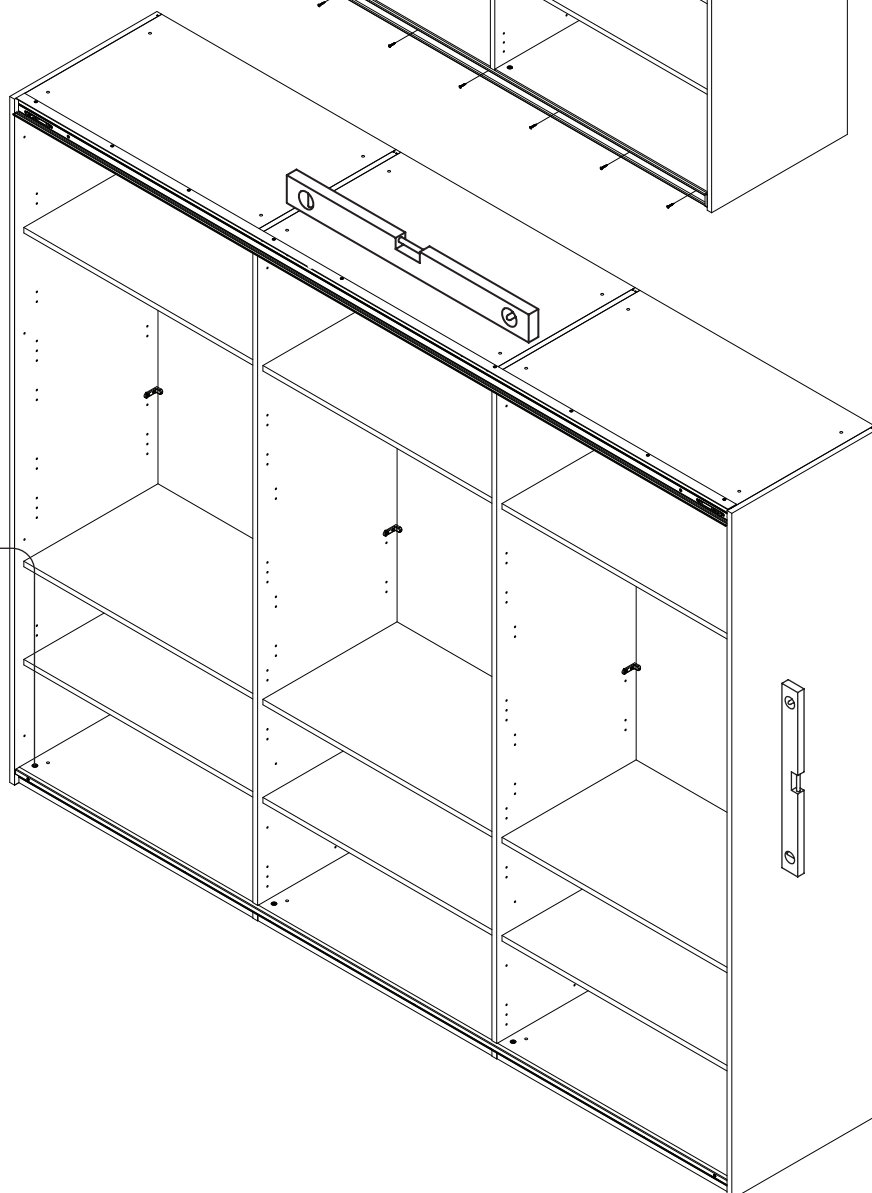
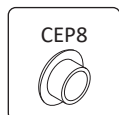
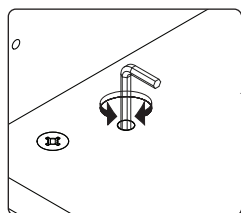
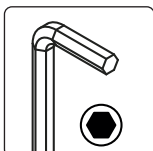
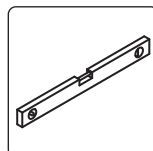
22



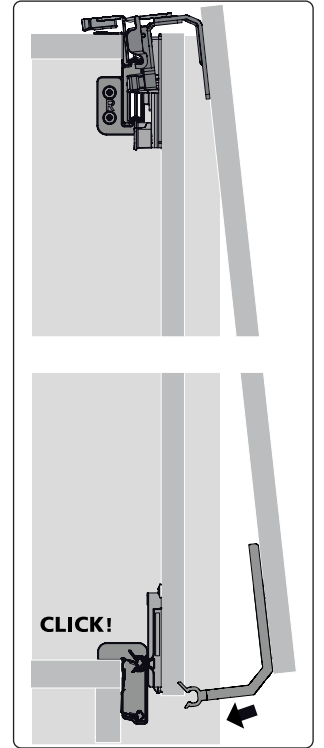
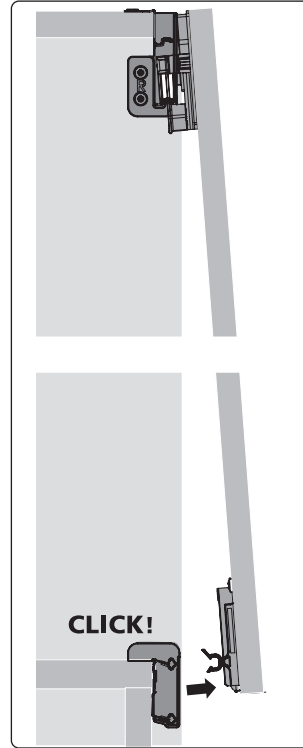
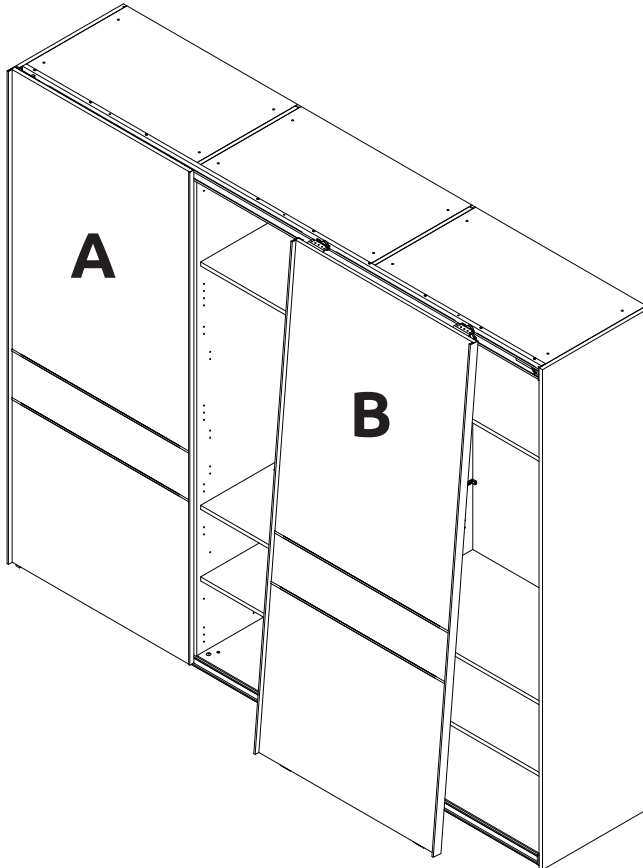
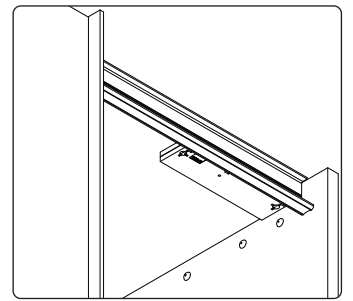
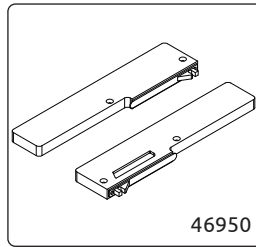
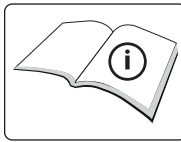
23



24



25



26

