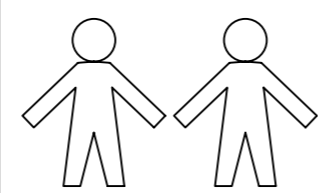
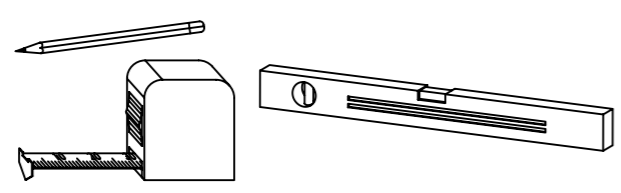
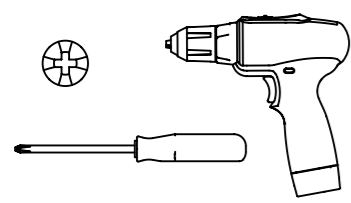


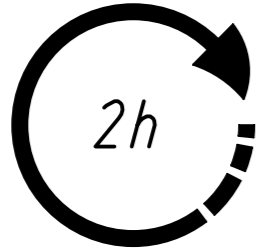
1.

M2059_04

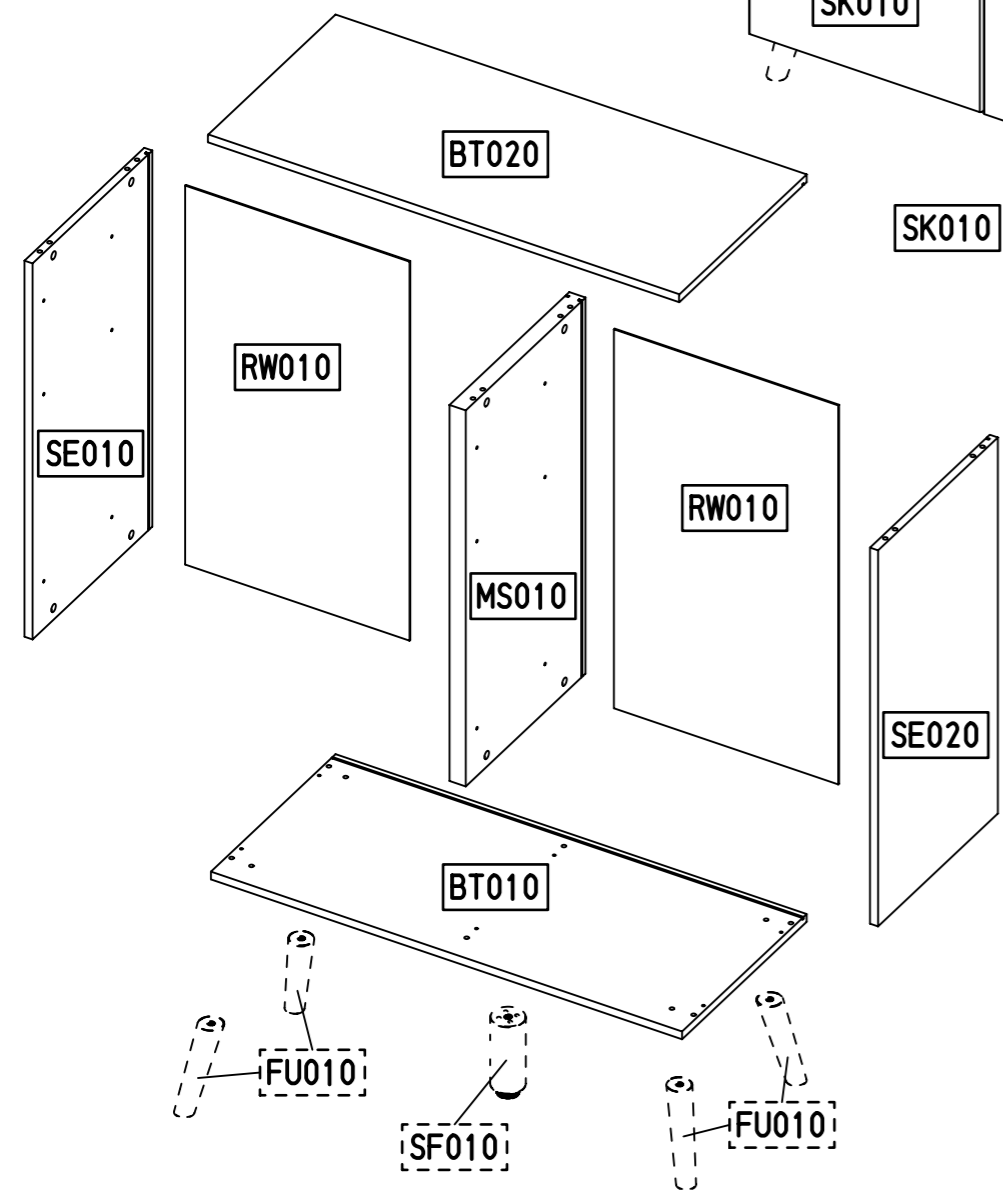
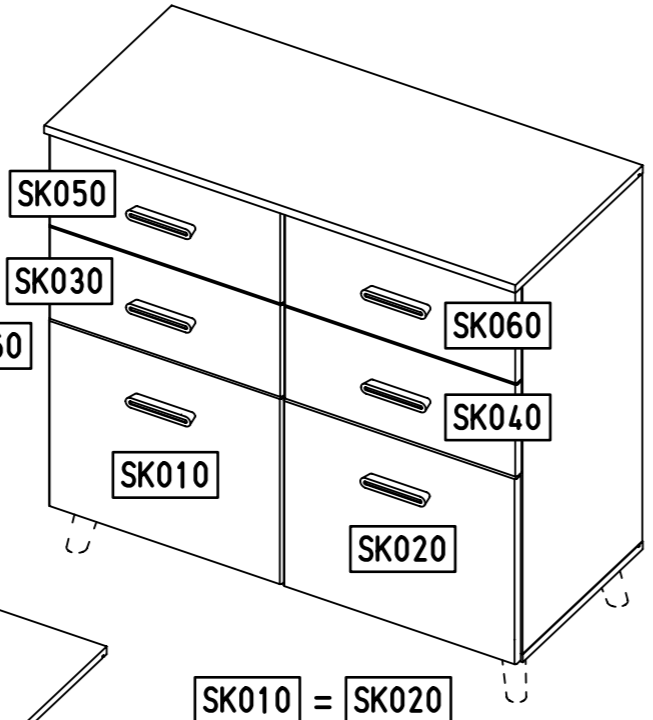
rauch



ø8mm
ø6mm

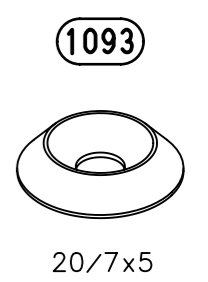
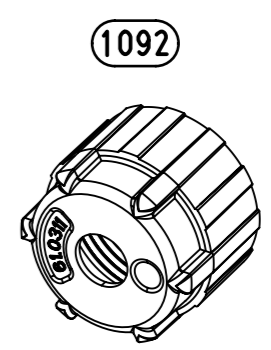
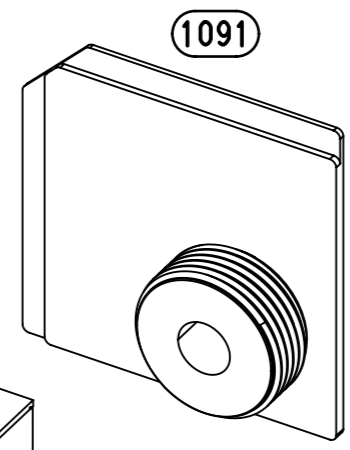


SK030 = SK040 = SK050 = SK060

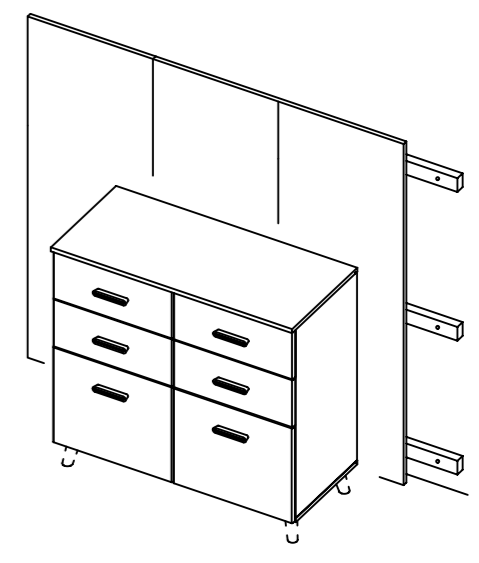
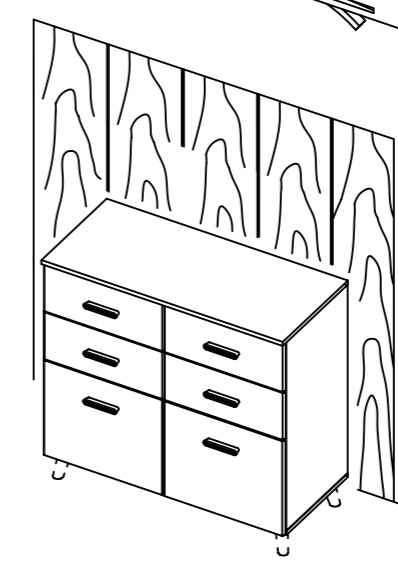
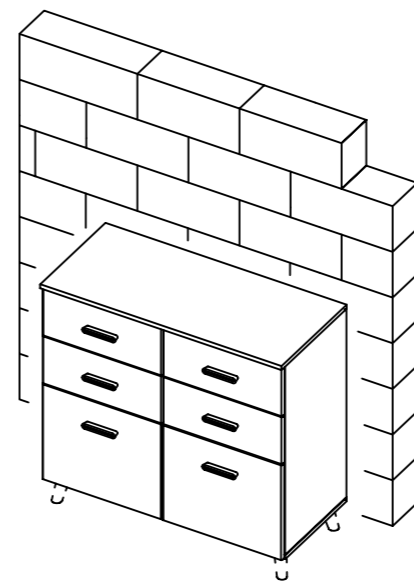
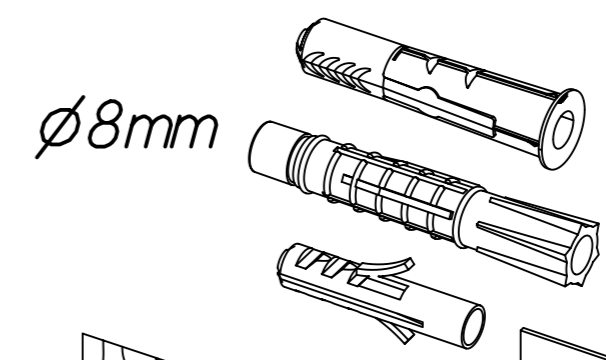
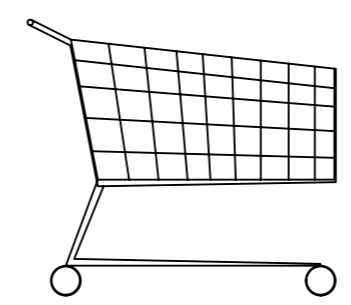
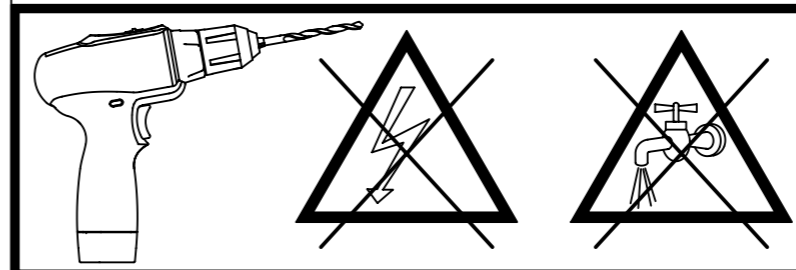
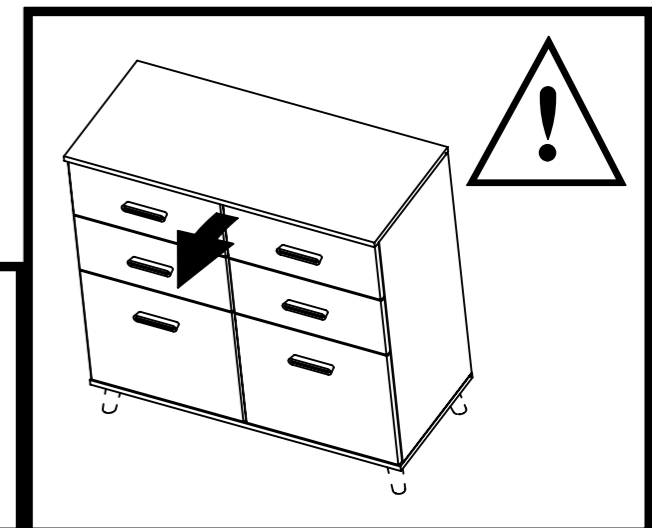
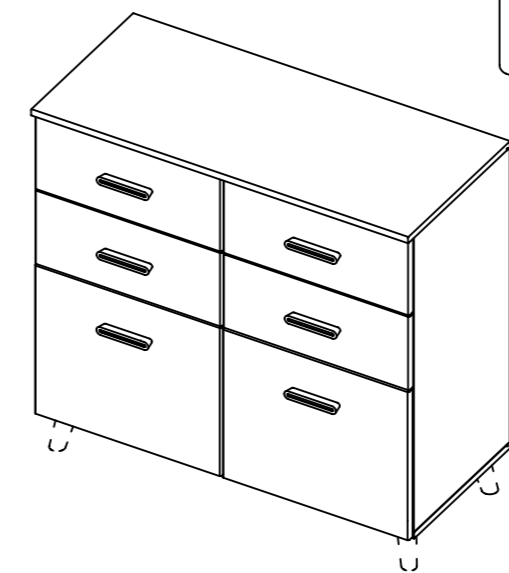
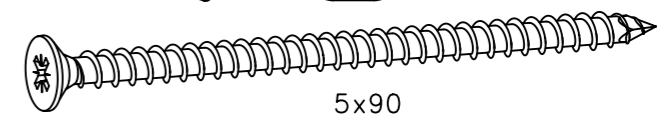


2.

2x



1147



3.

<p>(11)</p>	<p>12x (18)</p> <p>8x30</p>	<p>12x (183)</p> <p>23/10x7,5/6,5</p>	<p>12x (227)</p> <p>6x10,5</p>
<p>8x (251)</p> <p>328x17x9,5</p>		<p>4x (259)</p> <p>342x27x9,5</p>	
<p>12x (349)</p>	<p>12x (568)</p> <p>M4x9</p>	<p>8x (1090)</p>	

M2059

4.

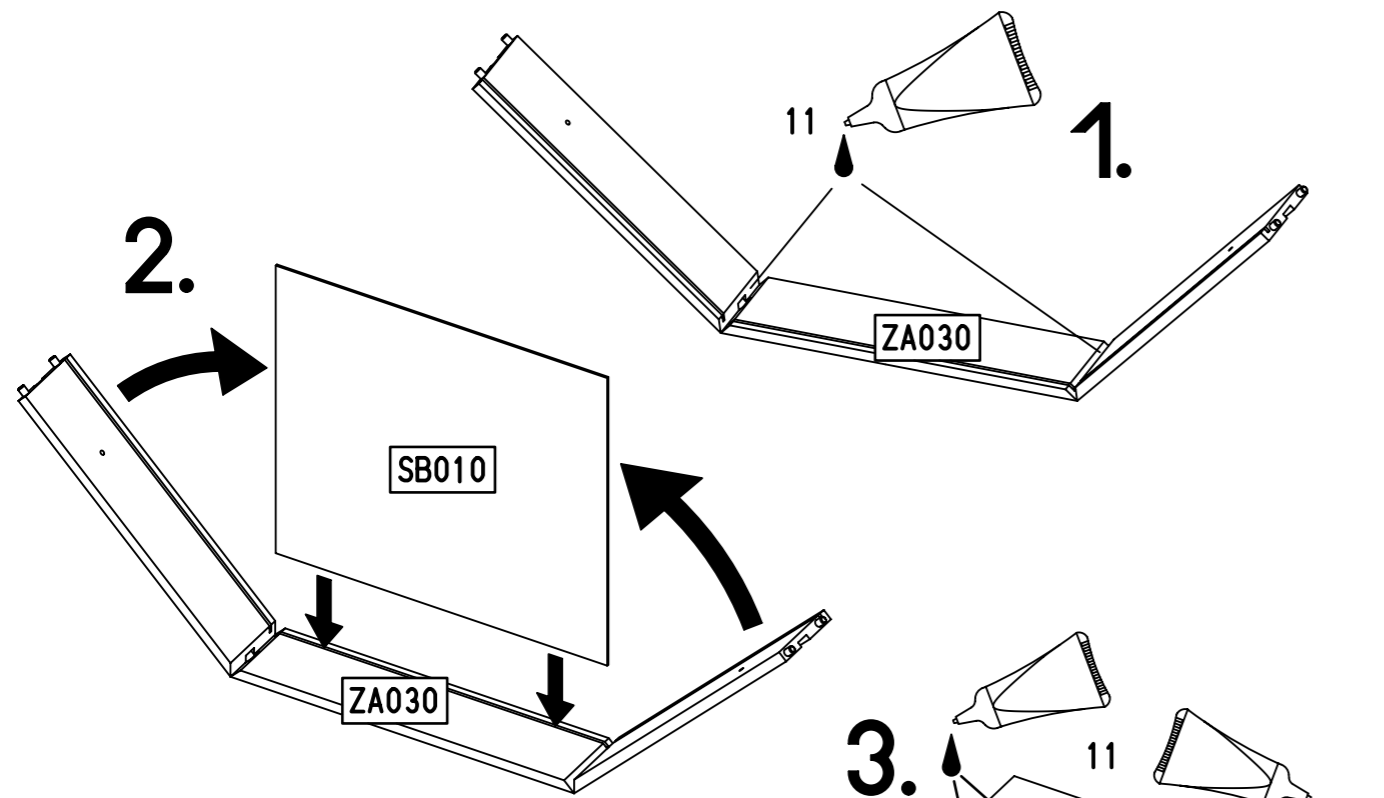
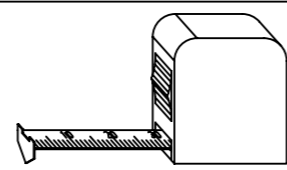
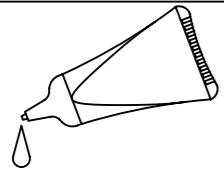
<p>(1)</p>	<p>(11)</p>		
------------	-------------	--	--

$Xmm = Xmm$

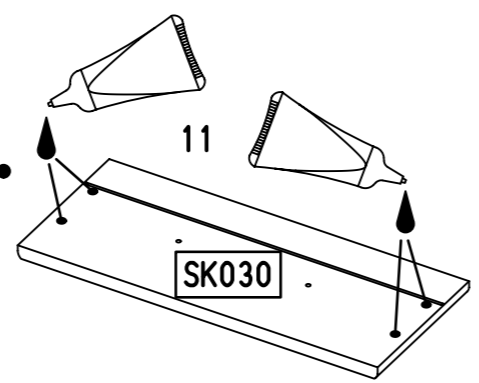
M2059

2

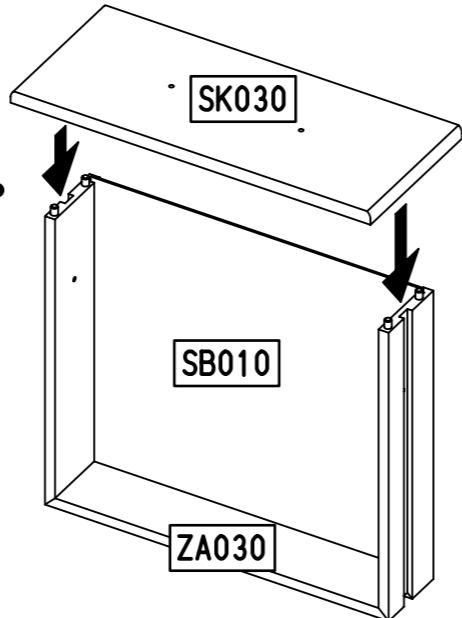
11



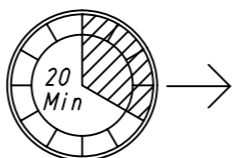
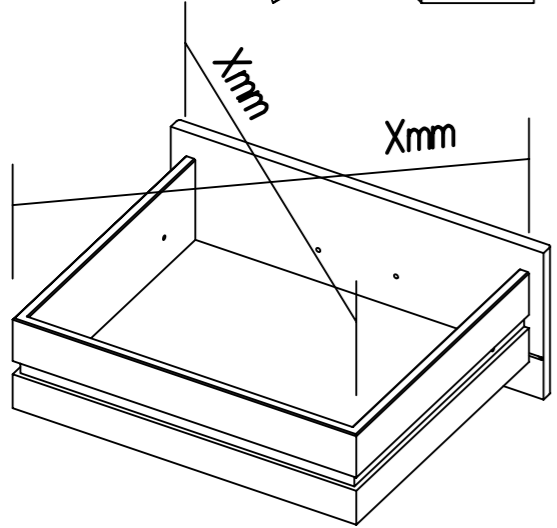
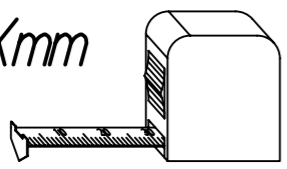
3.



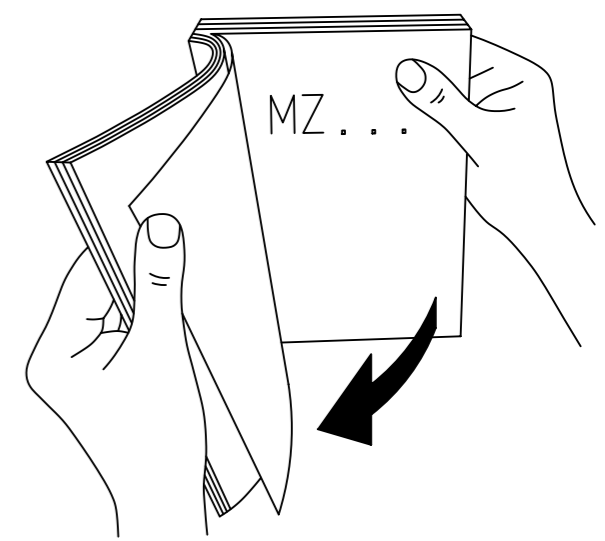
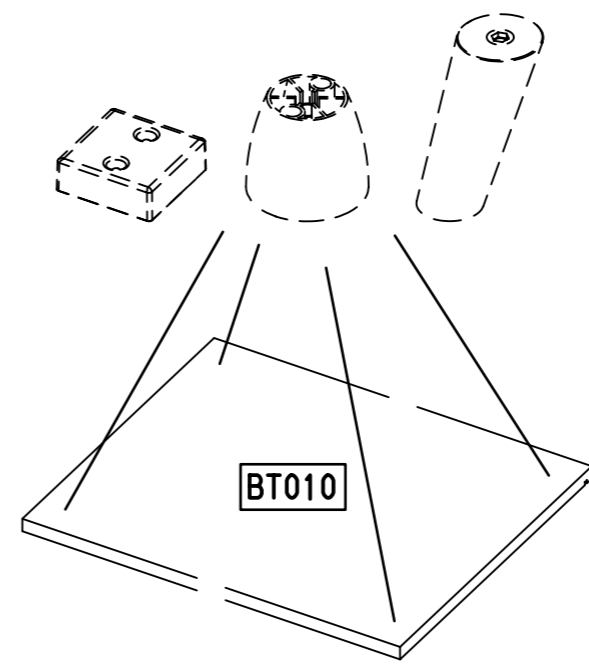
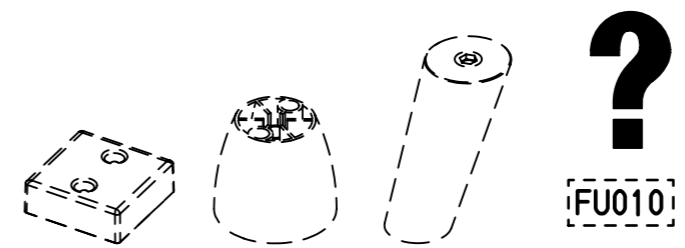
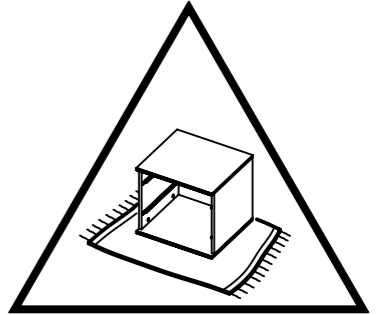
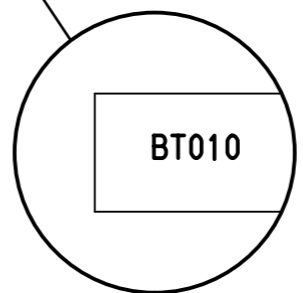
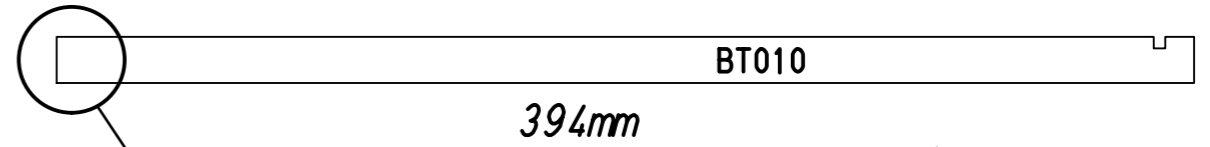
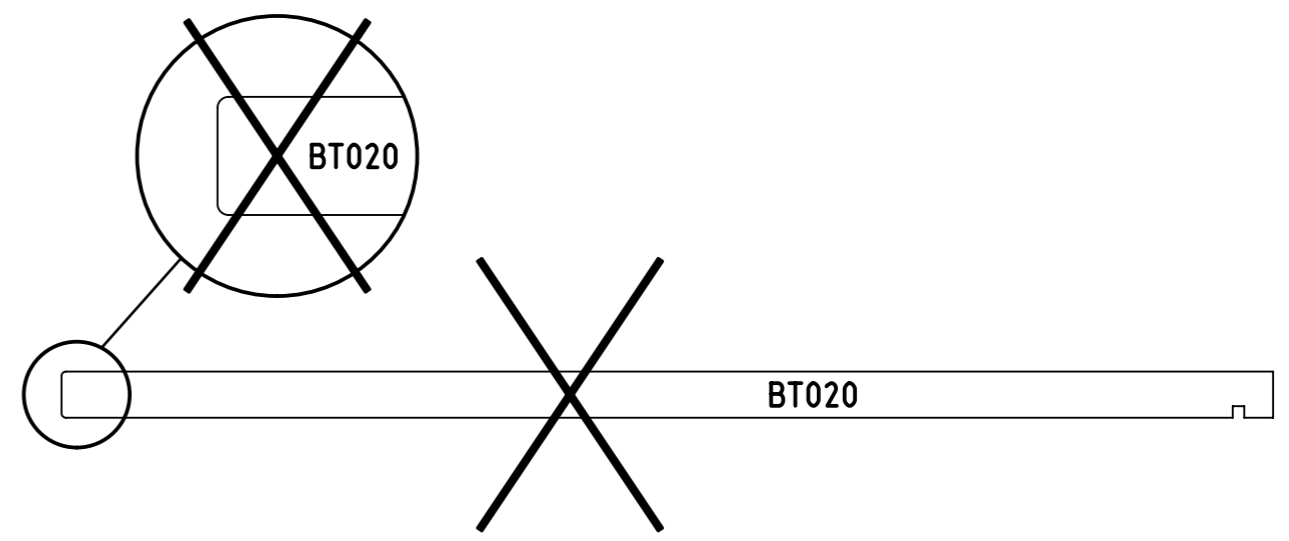
4.



Xmm = Xmm

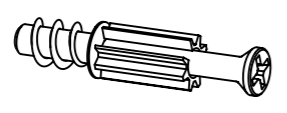


3

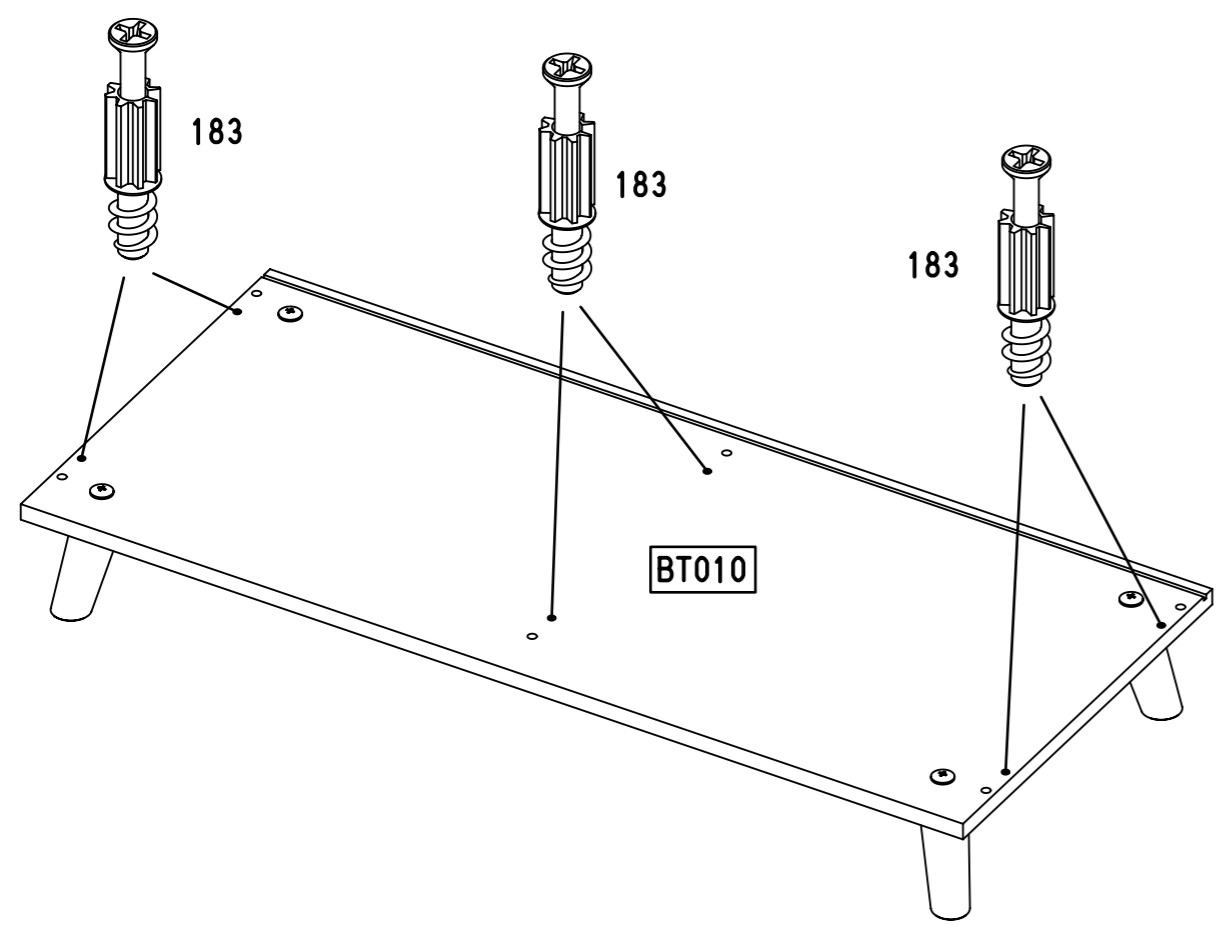
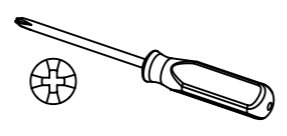


4

6x 183

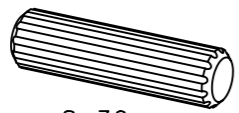


23/10x7,5/6,5

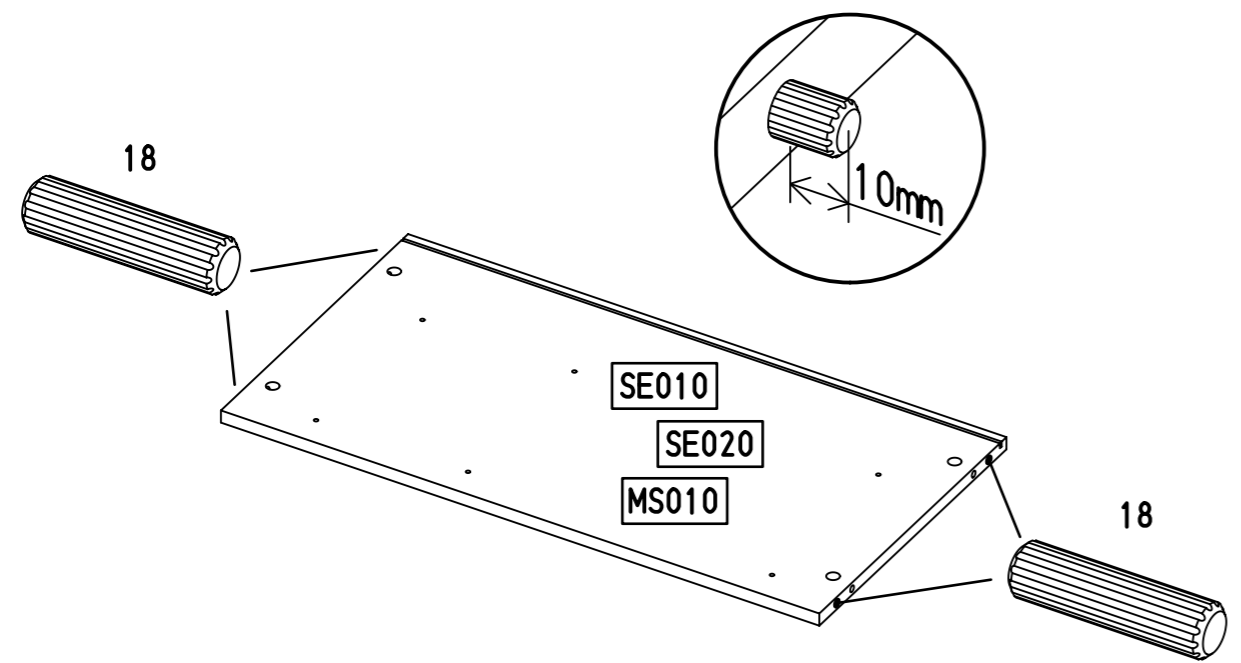


5

12x 18

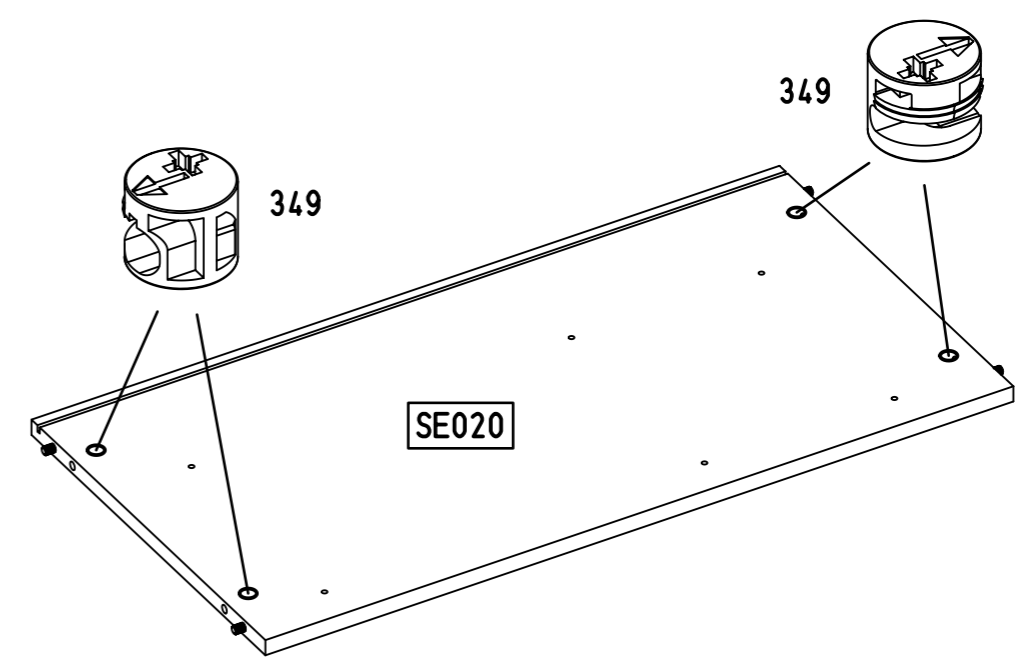
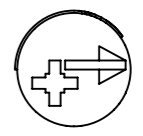
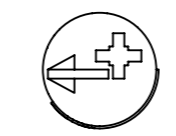
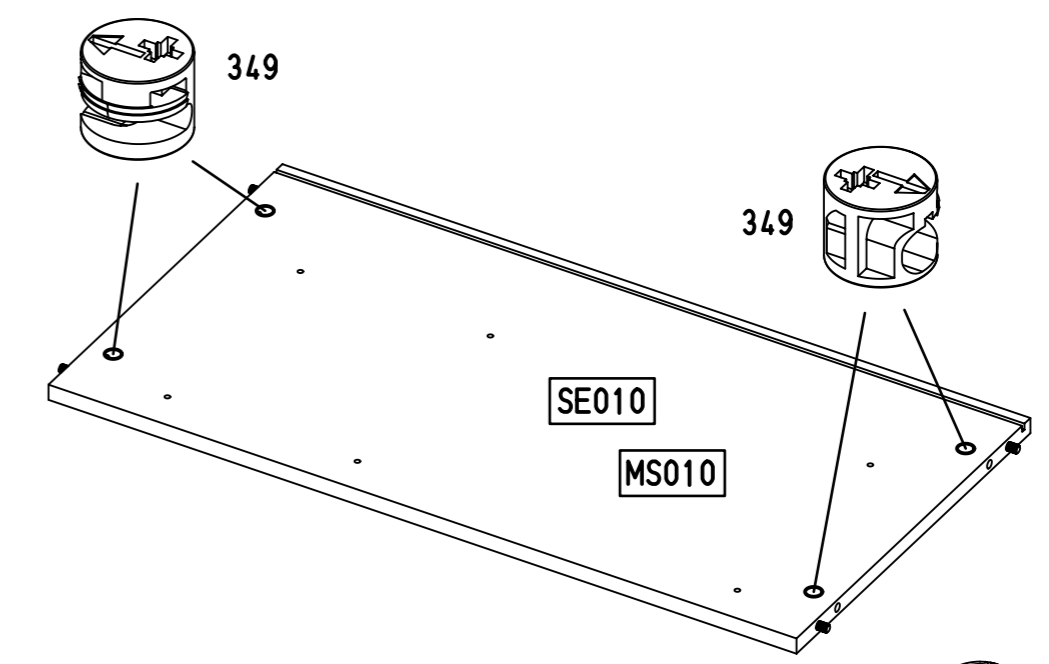
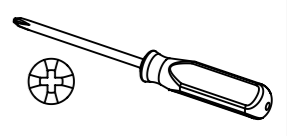
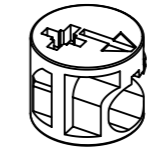


8x30



6

12x 349

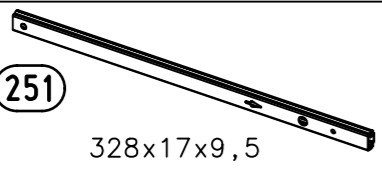


9.

7

4x

251



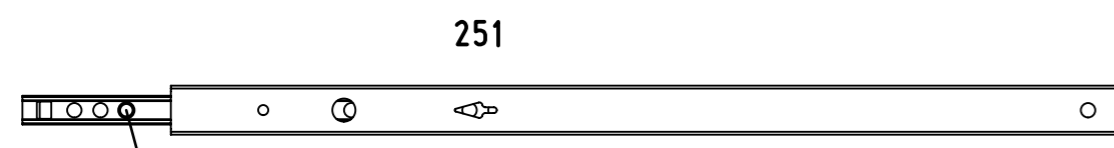
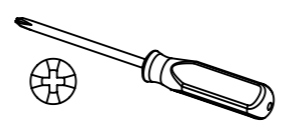
328x17x9,5

8x

227



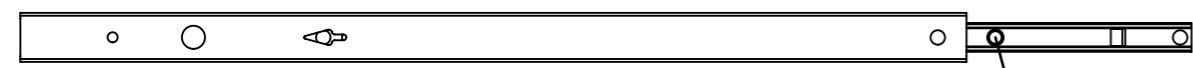
6x10,5



1.



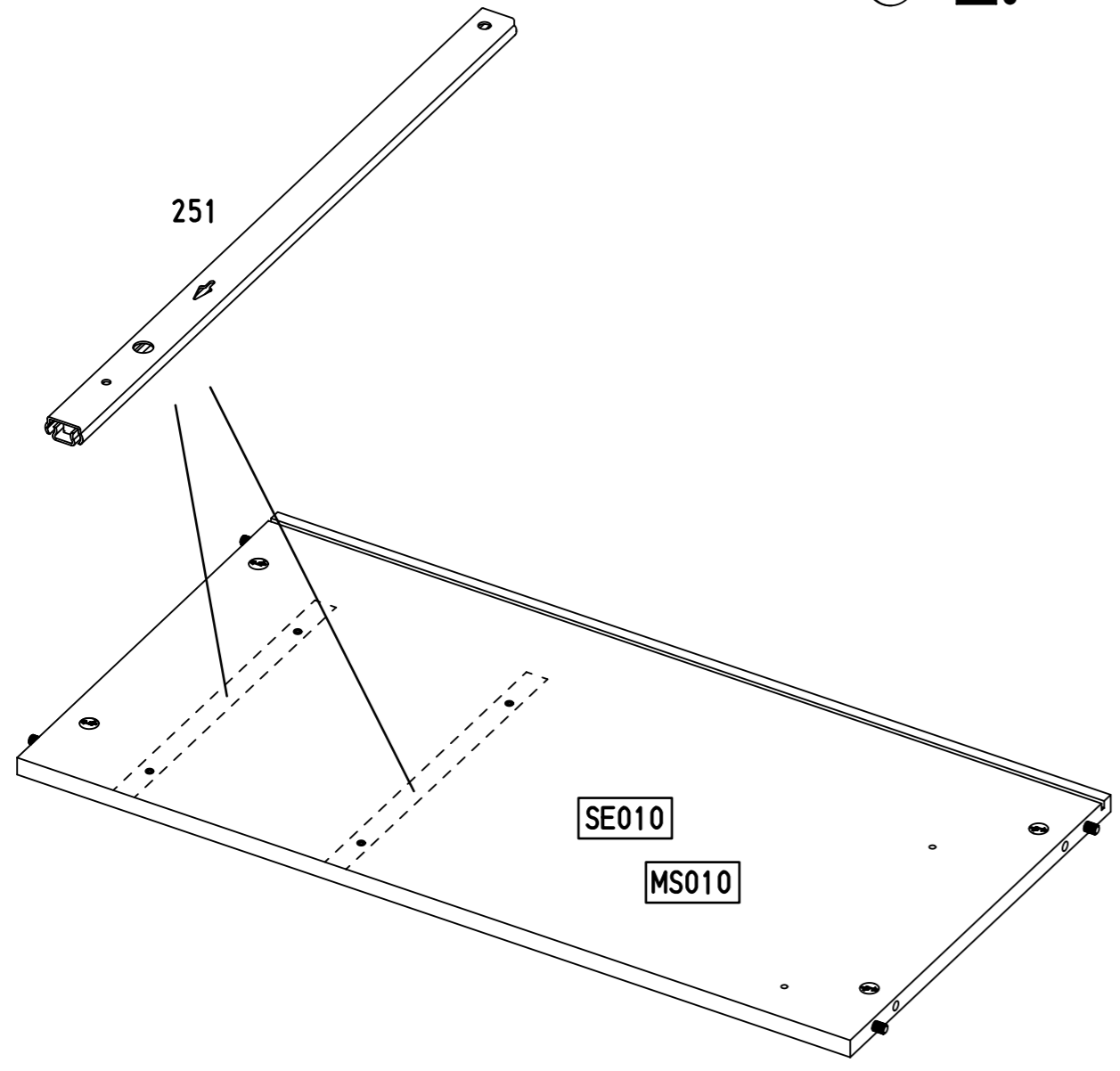
227



227



2.



SE010

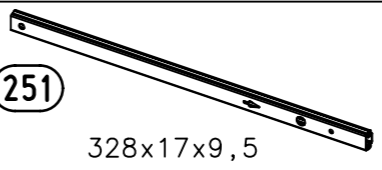
MS010

10.

8

4x

251



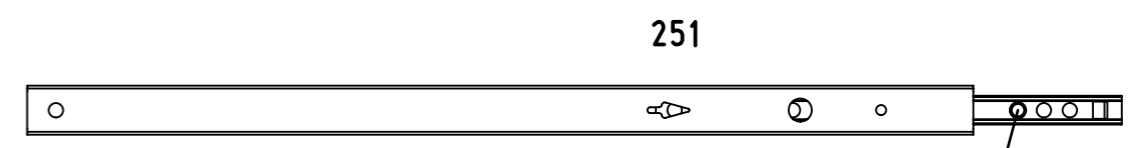
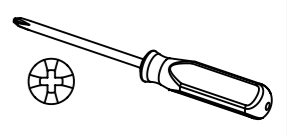
328x17x9,5

8x

227



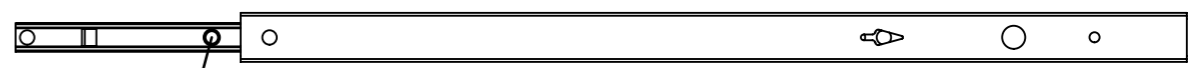
6x10,5



227



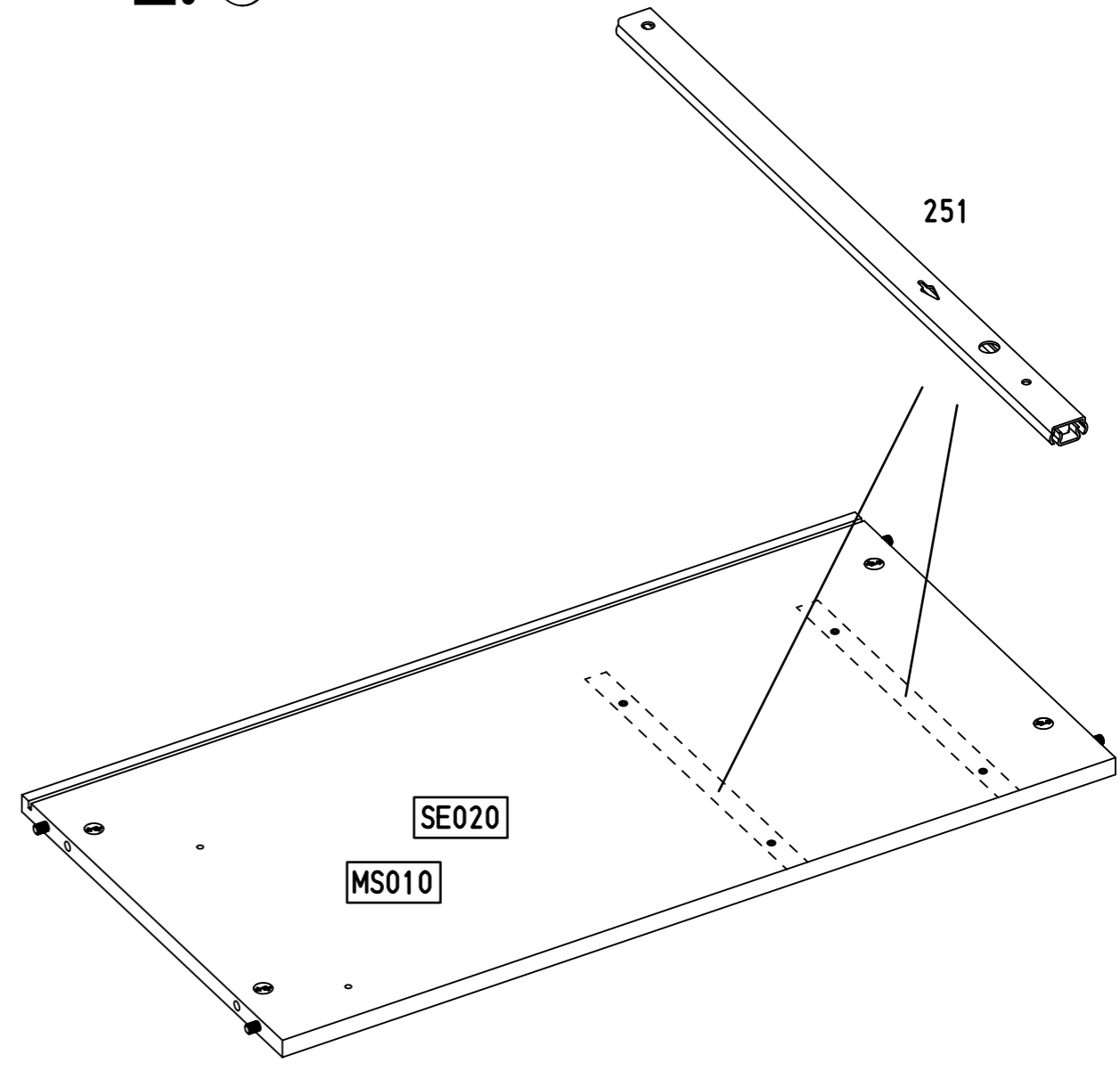
1.



2.



227



SE020

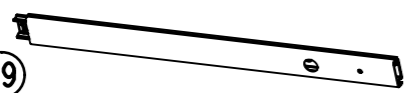
MS010

11.

9

2x 259

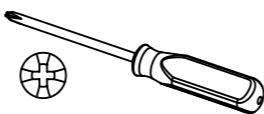
342x27x9,5



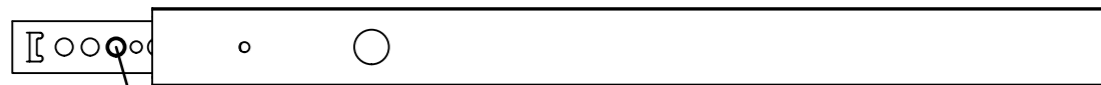
4x 227



6x10,5



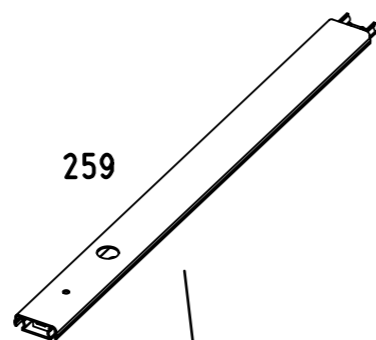
259



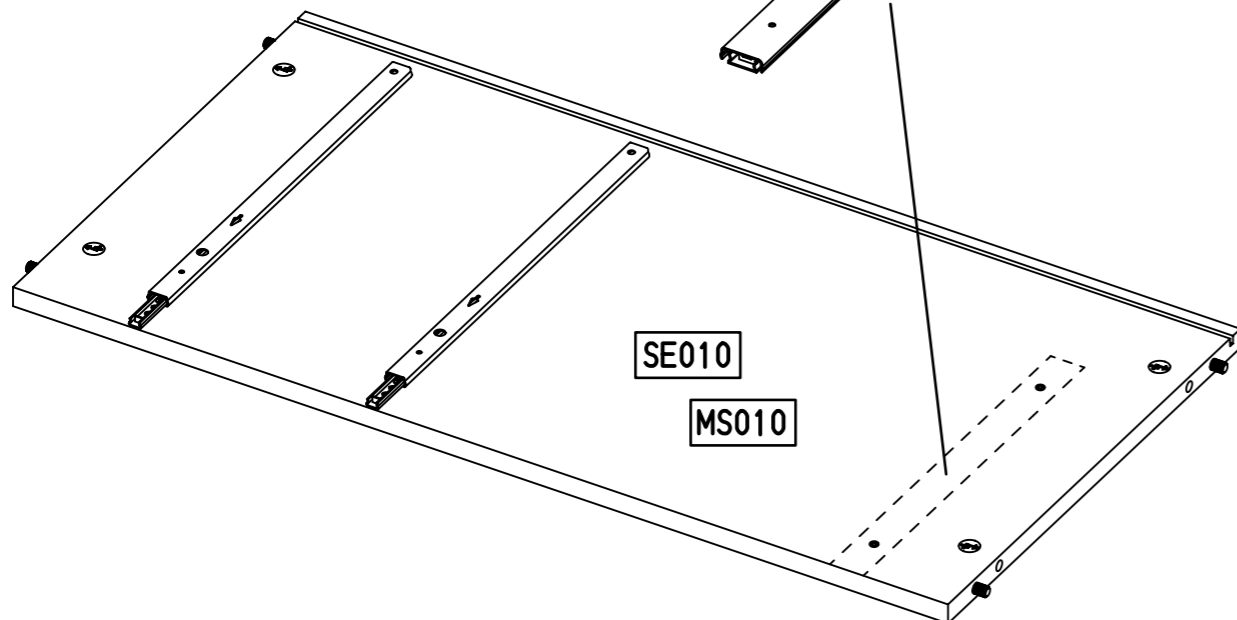
1.  227



2.  227



259



12.

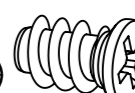
10

2x 259

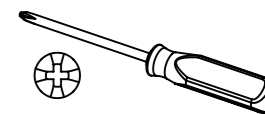
342x27x9,5



4x 227



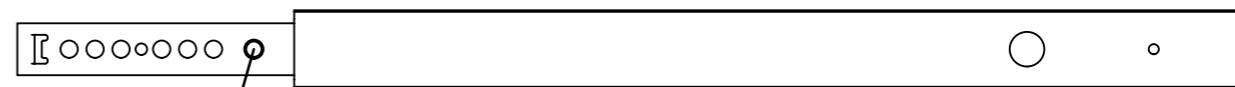
6x10,5



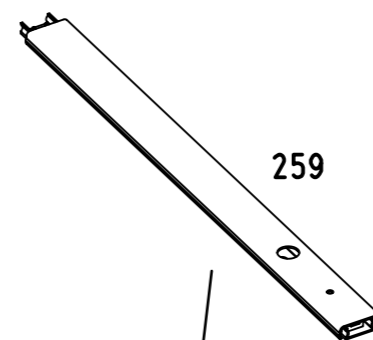
259



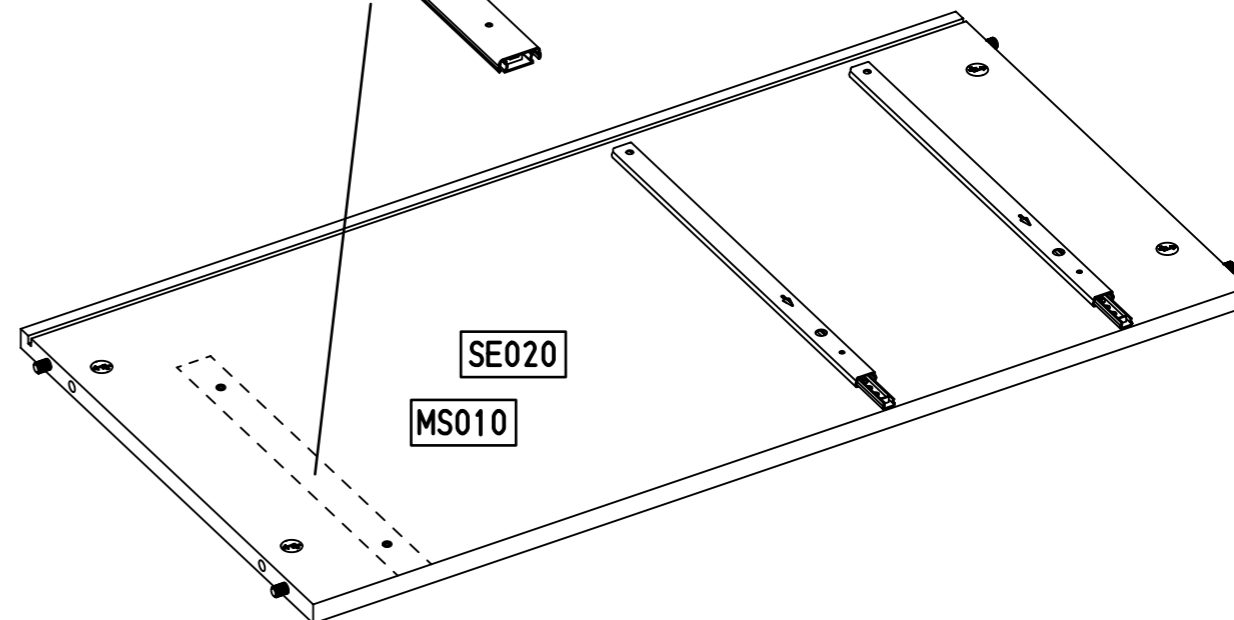
1.  227



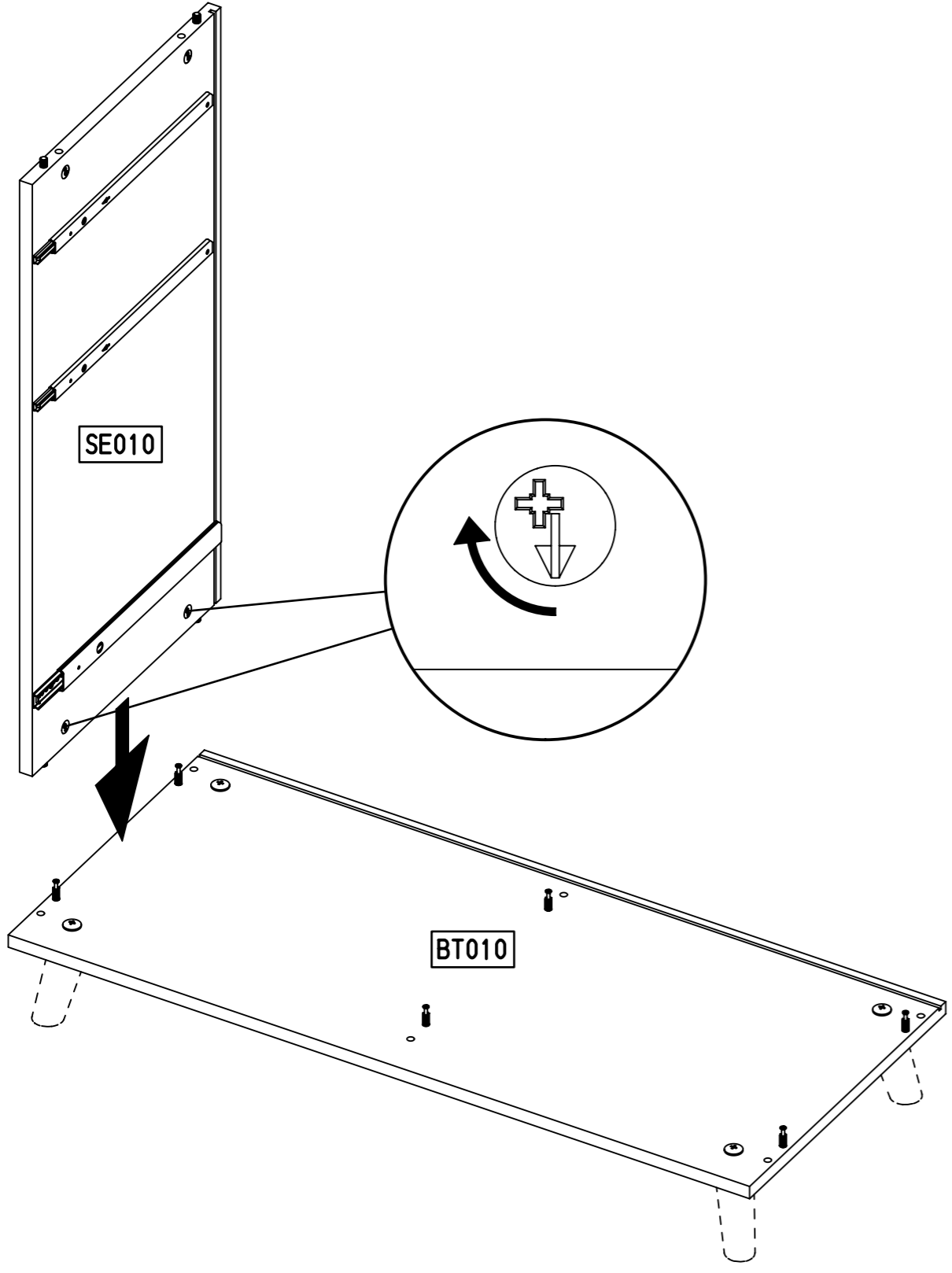
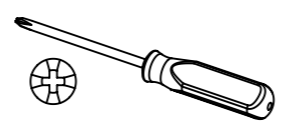
2.  227



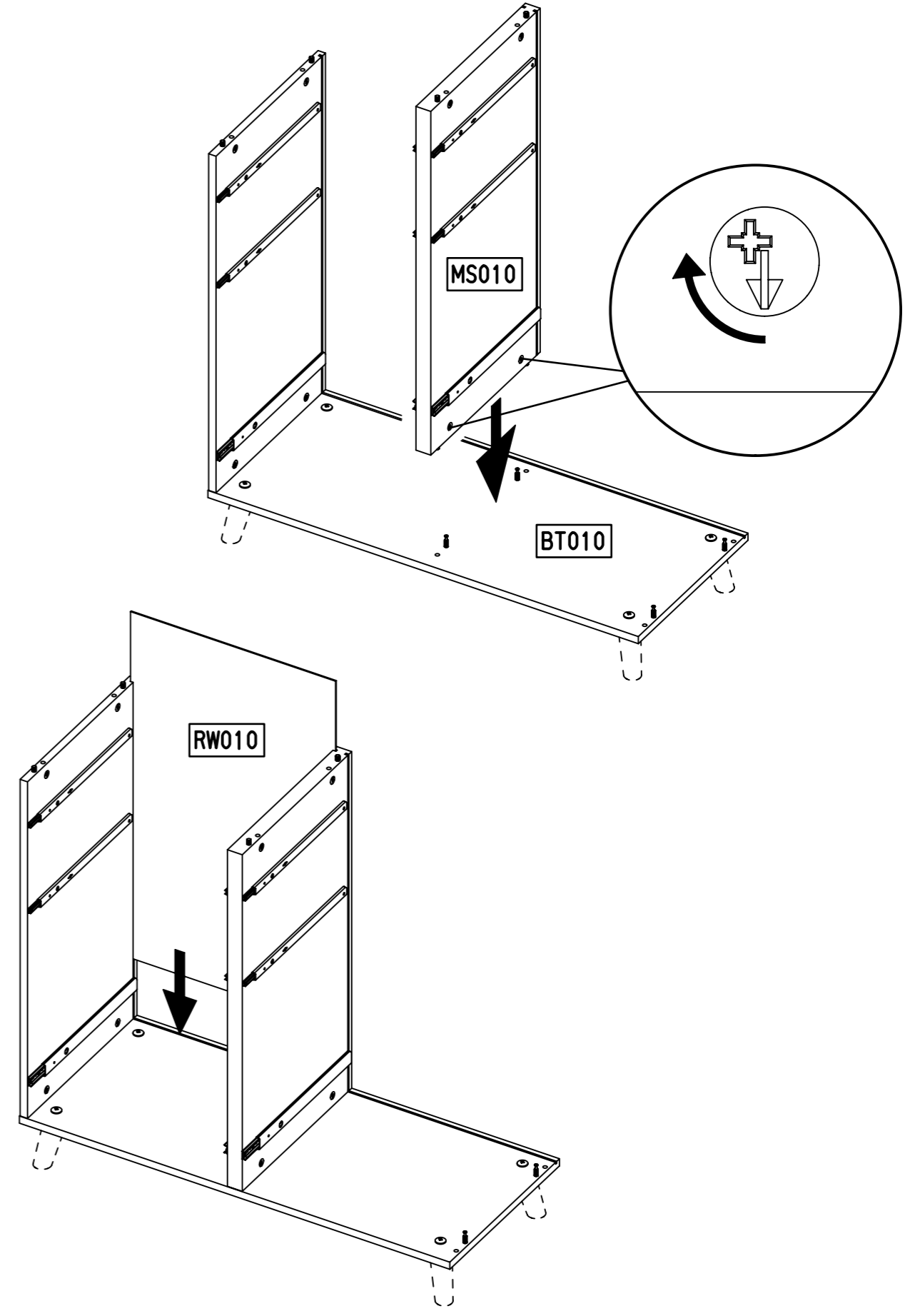
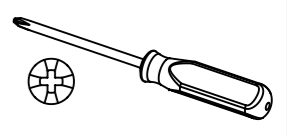
259



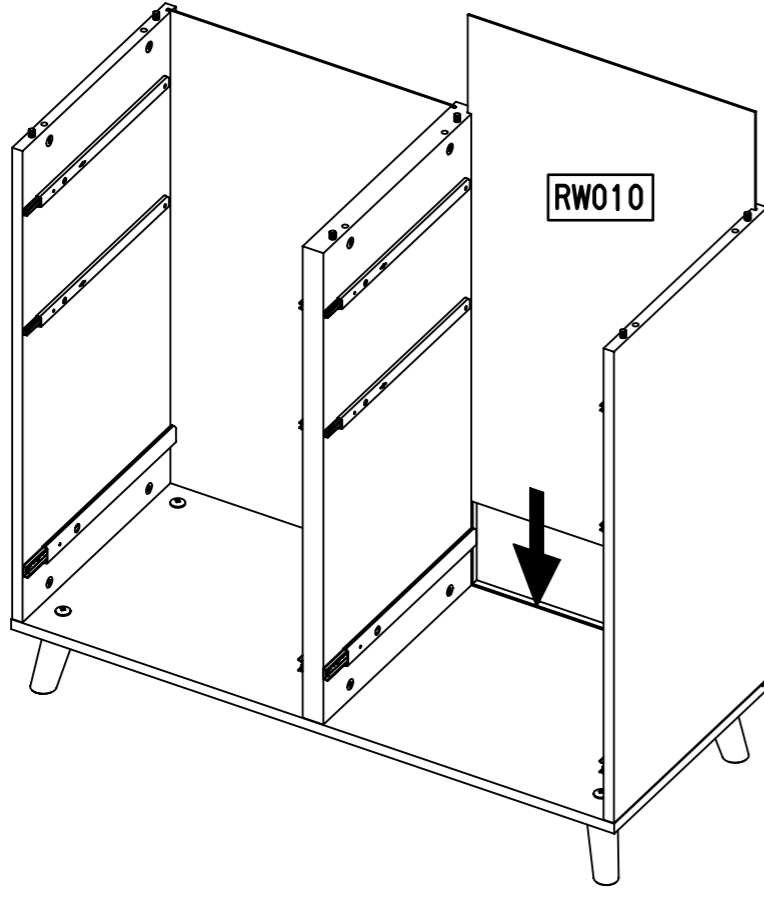
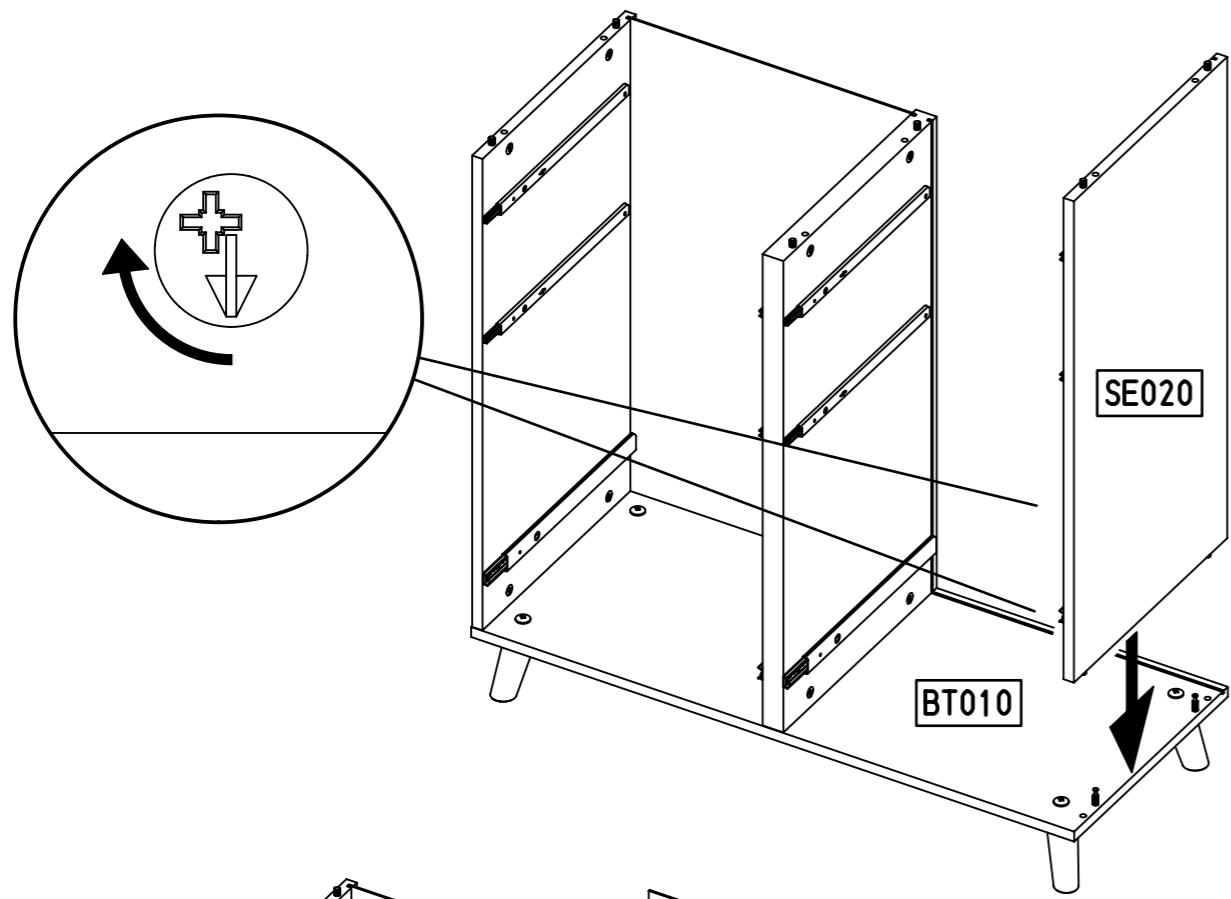
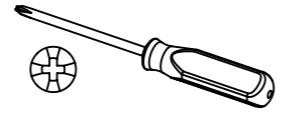
11



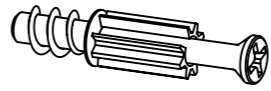
12

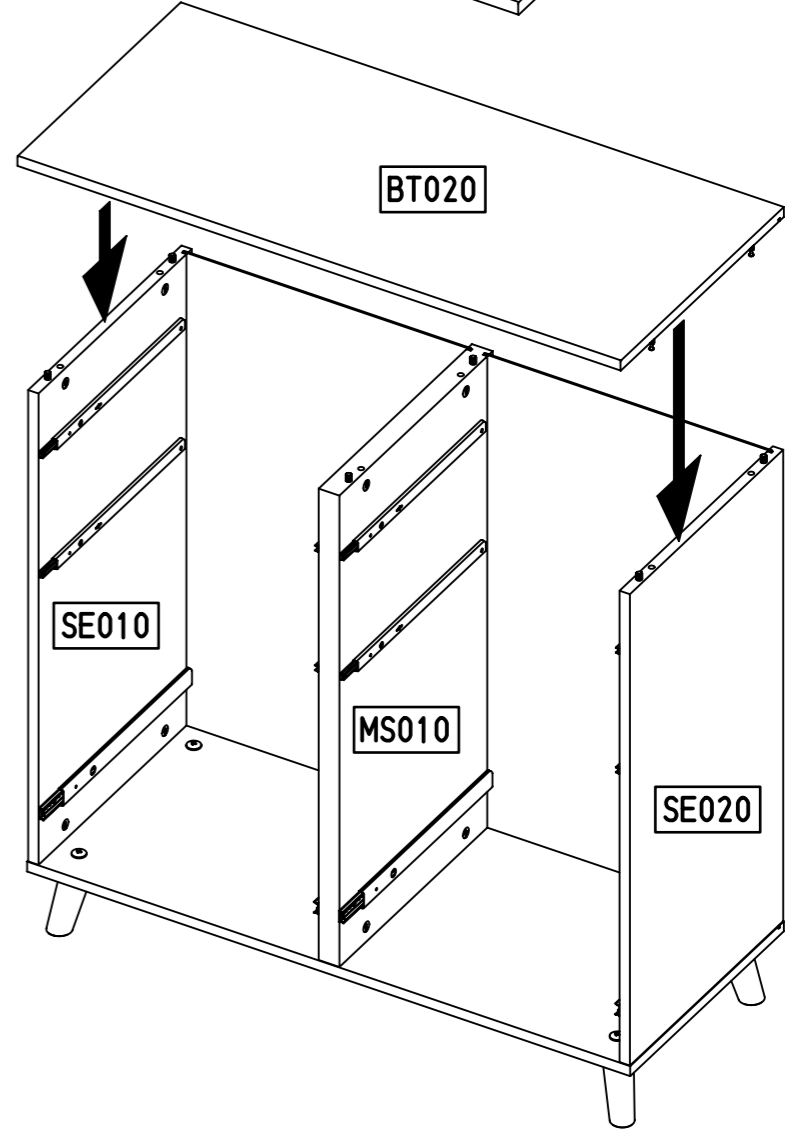
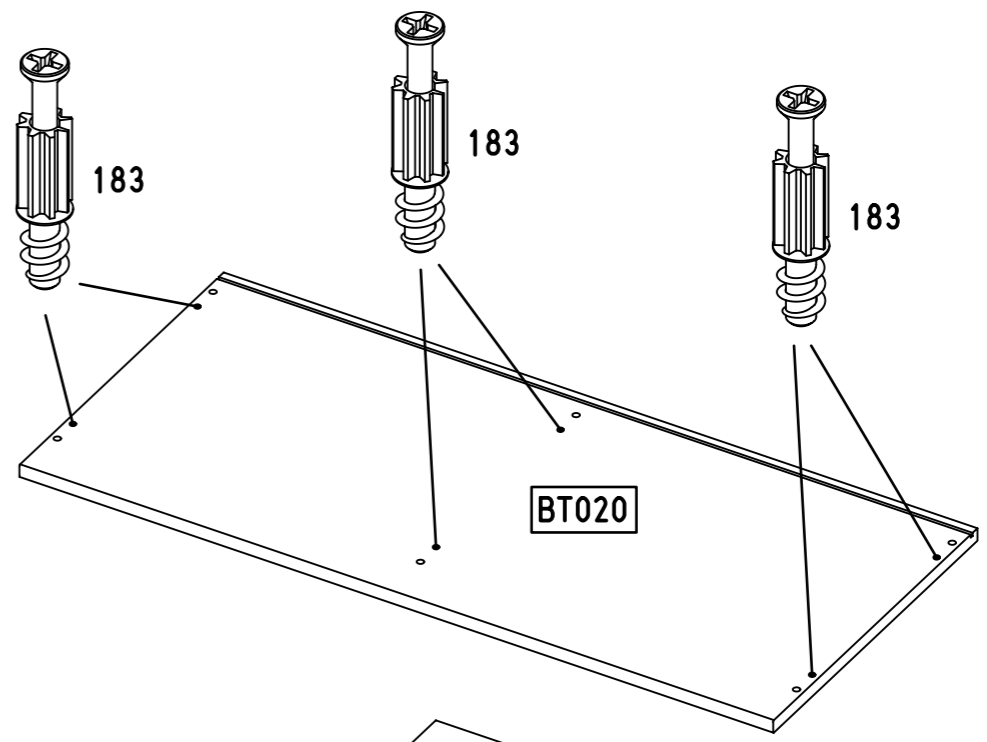
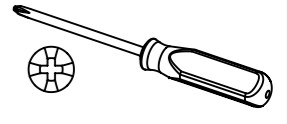


13

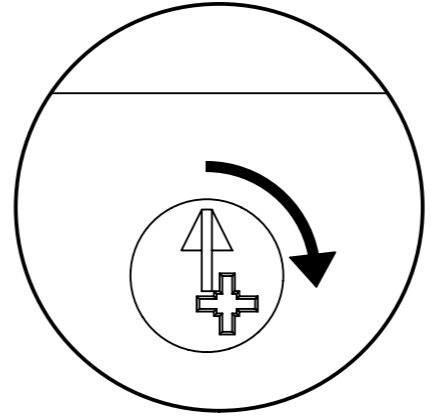


14

6x (183) 
23/10x7,5/6,5

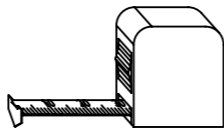
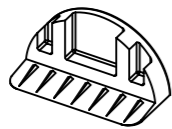


6x

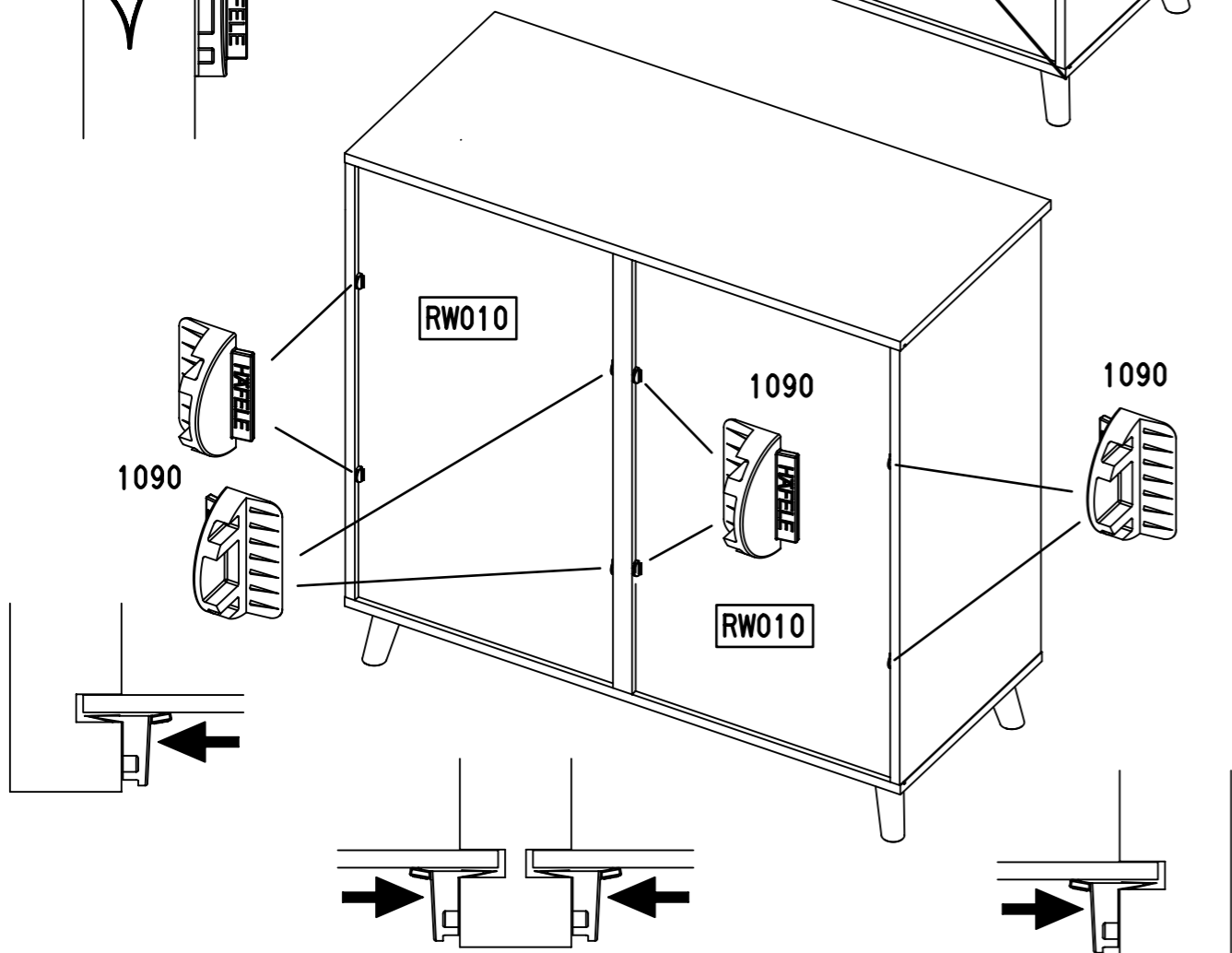
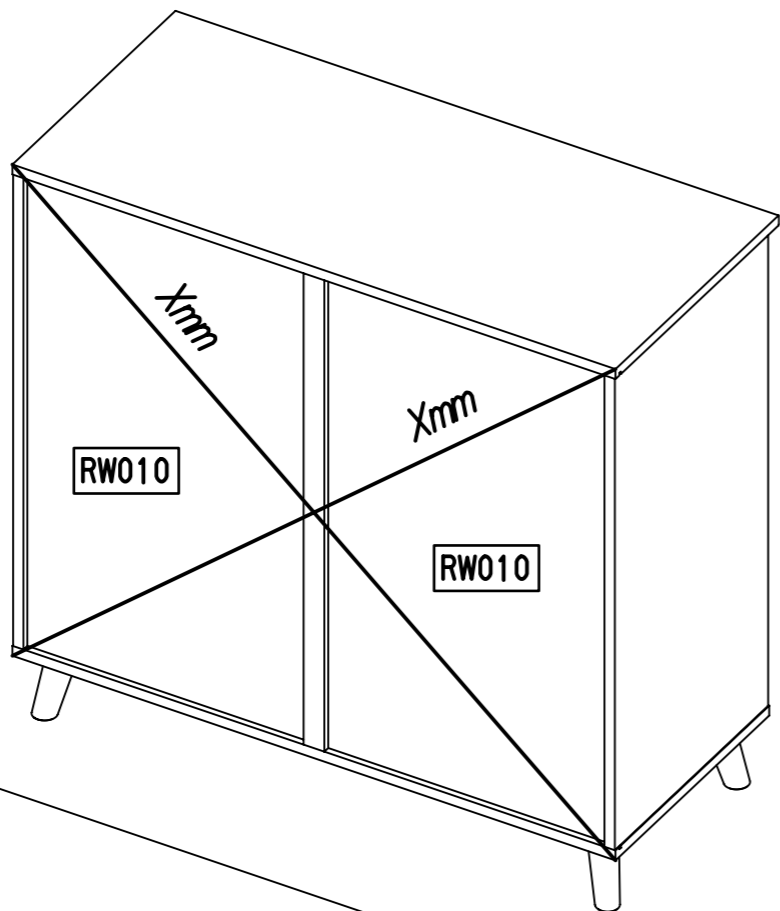
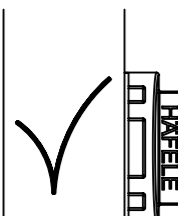
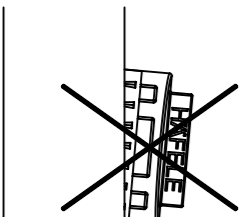
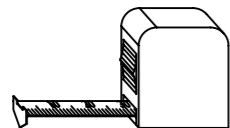


15

8x 1090

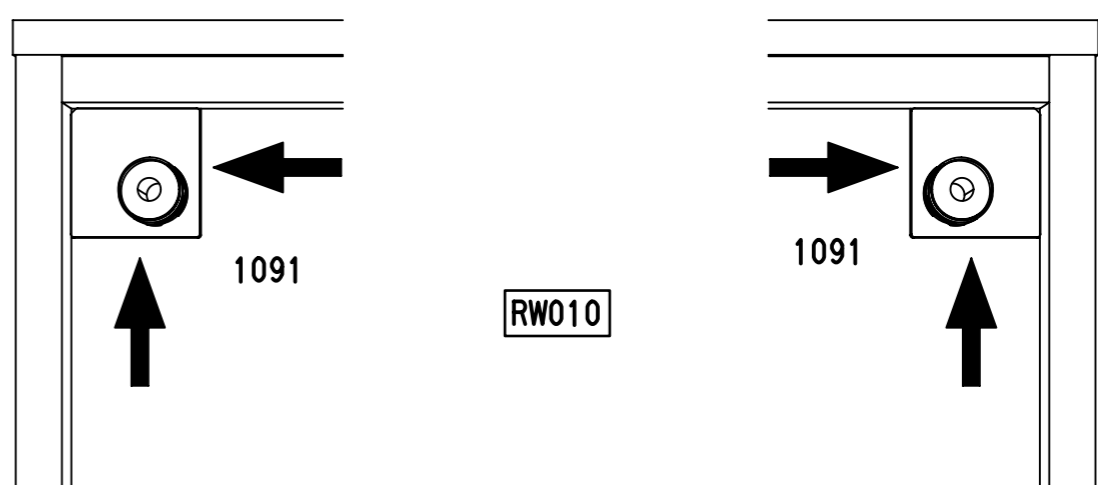
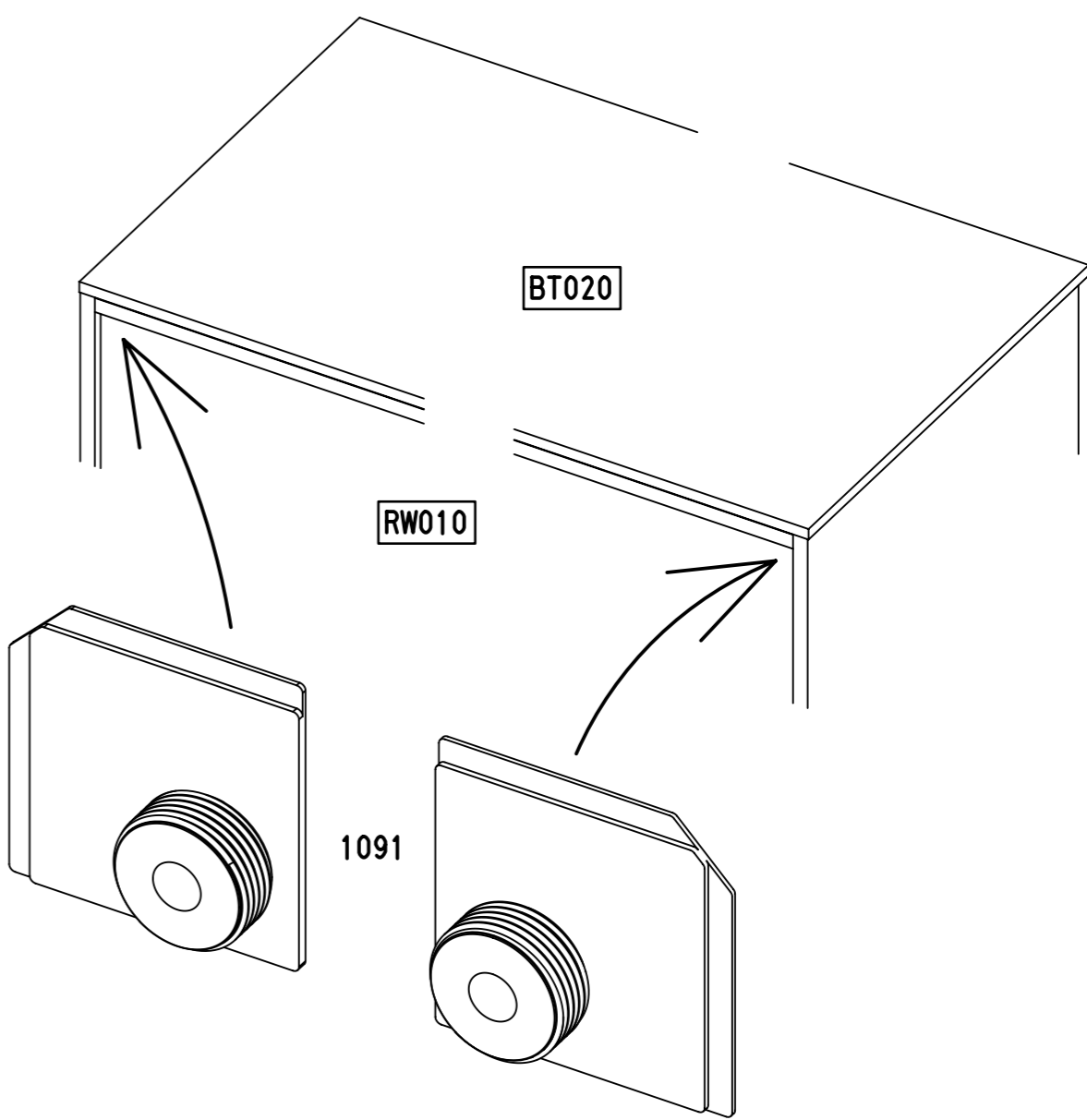
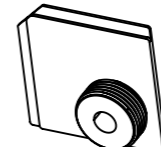


Xmm = Xmm



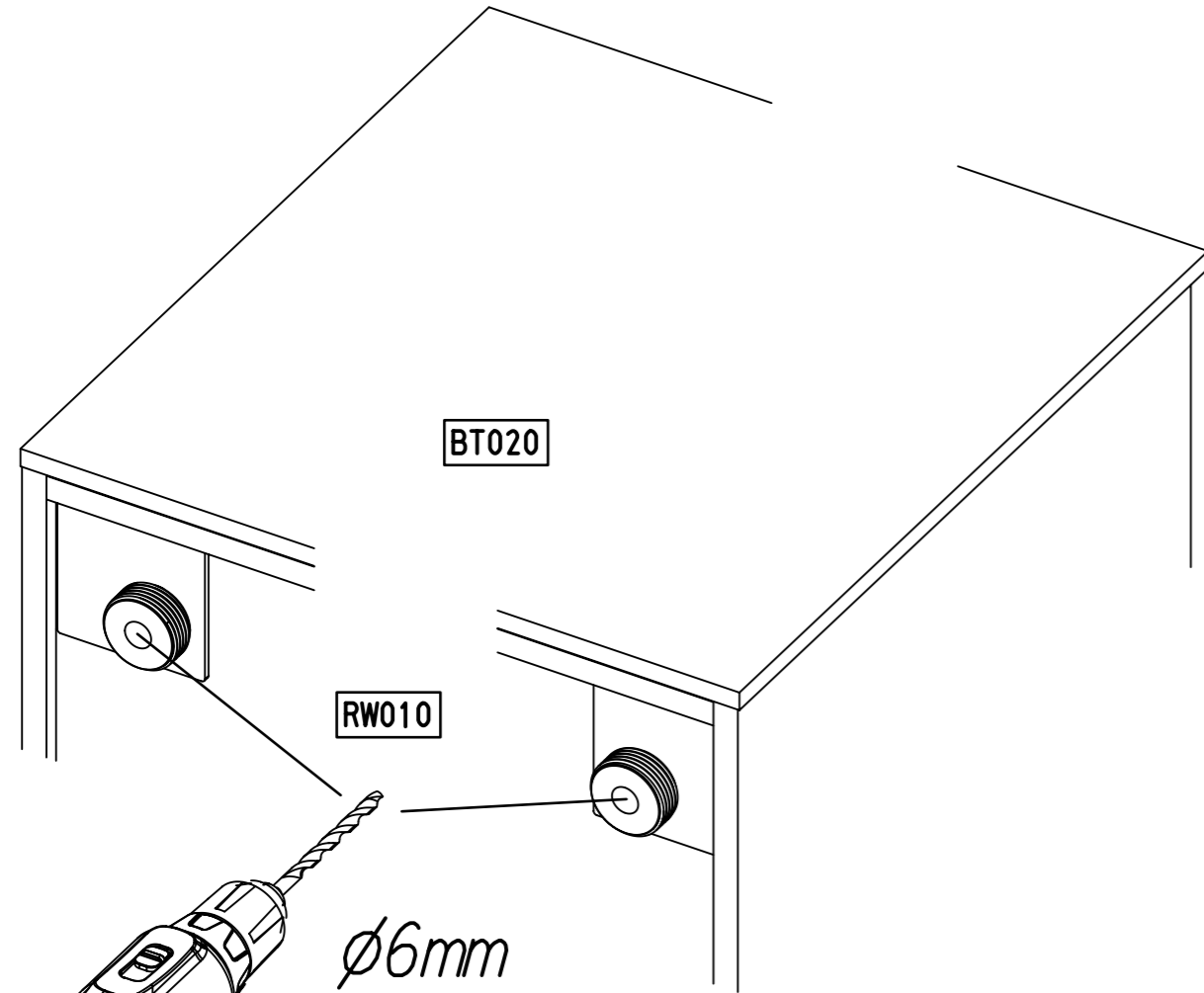
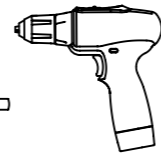
16

2x 1091



17

∅6mm



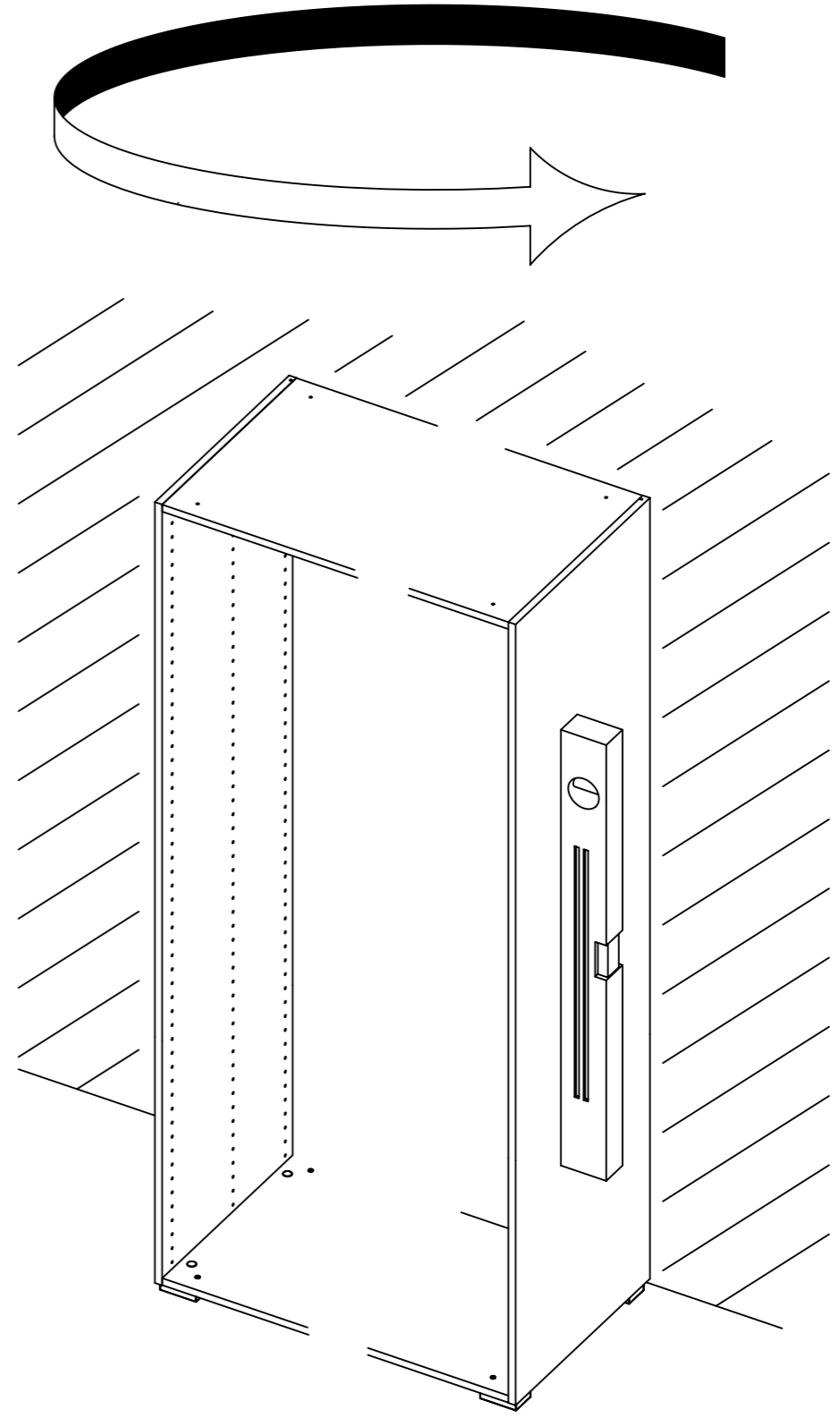
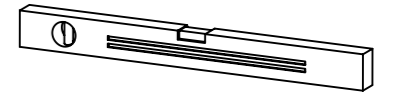
RW010

∅6mm

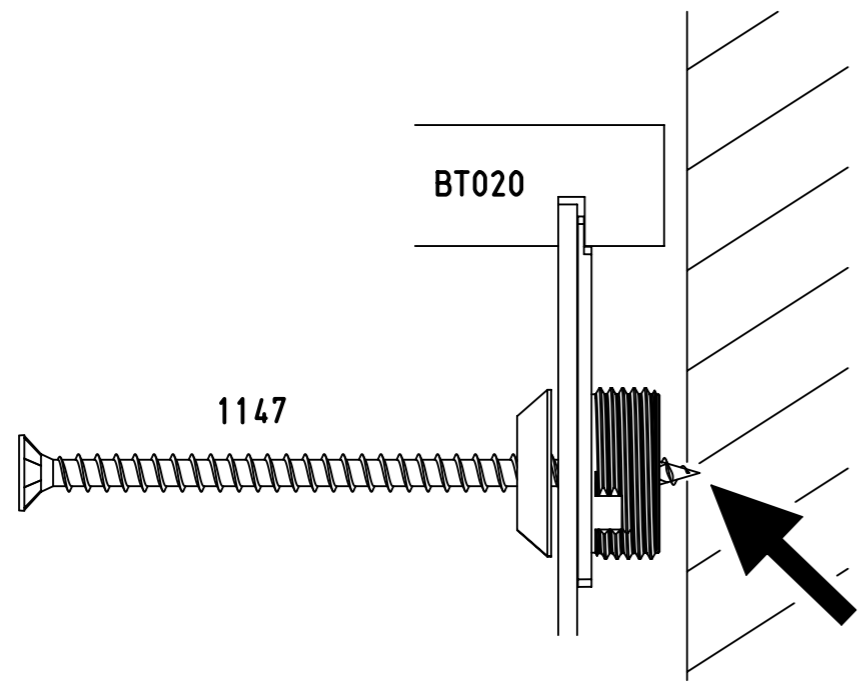
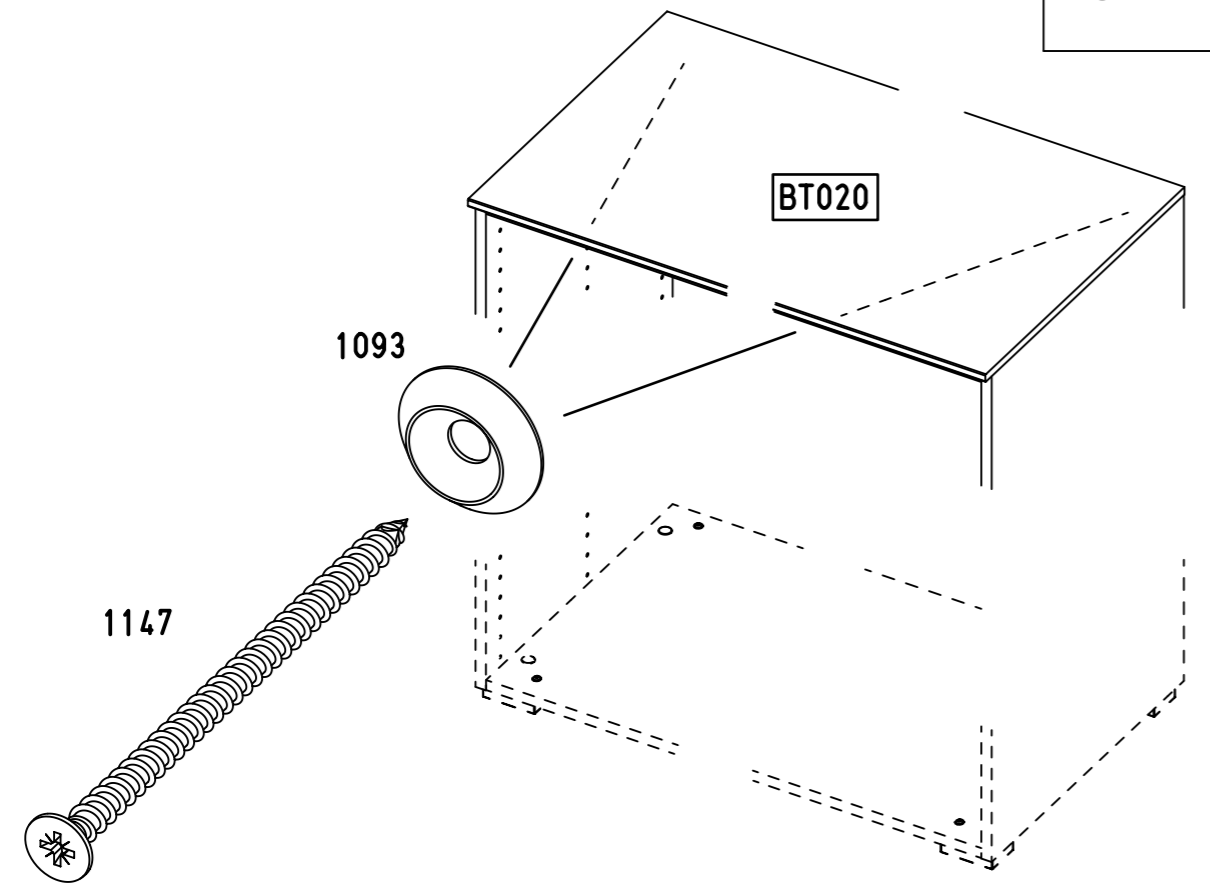
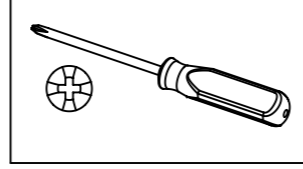
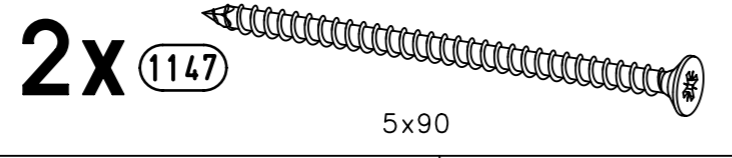
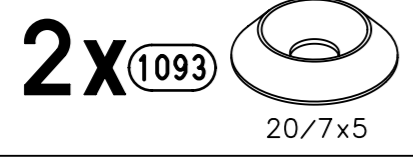
BT020

RW010

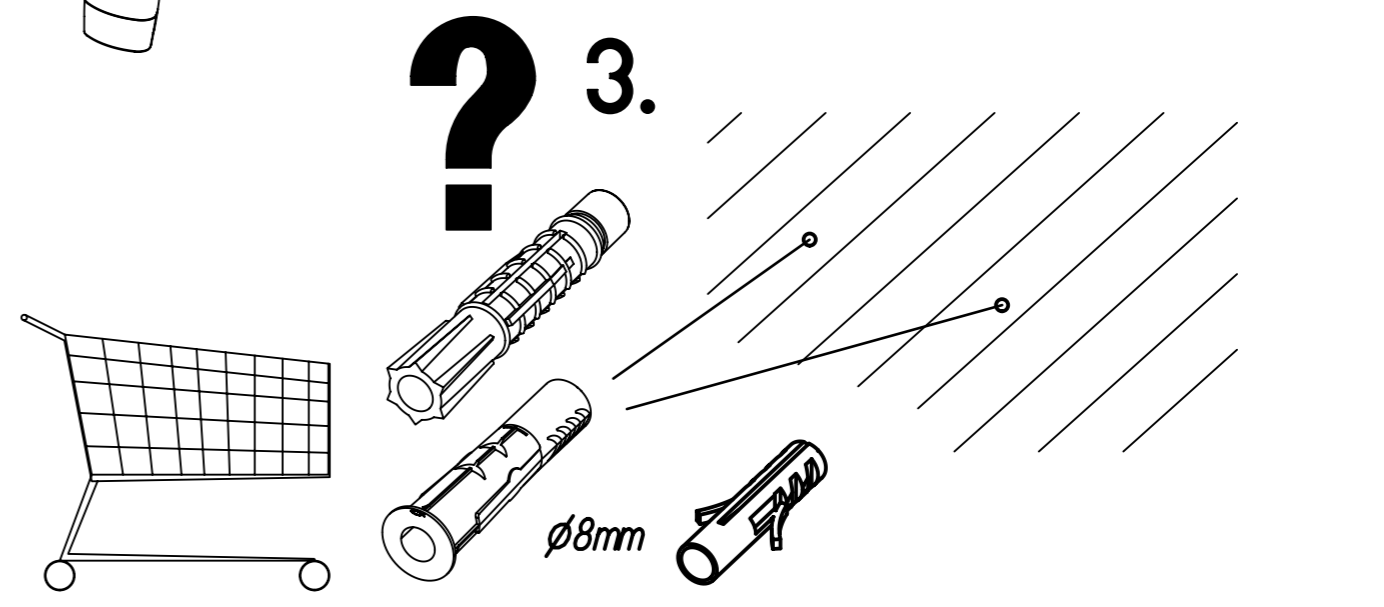
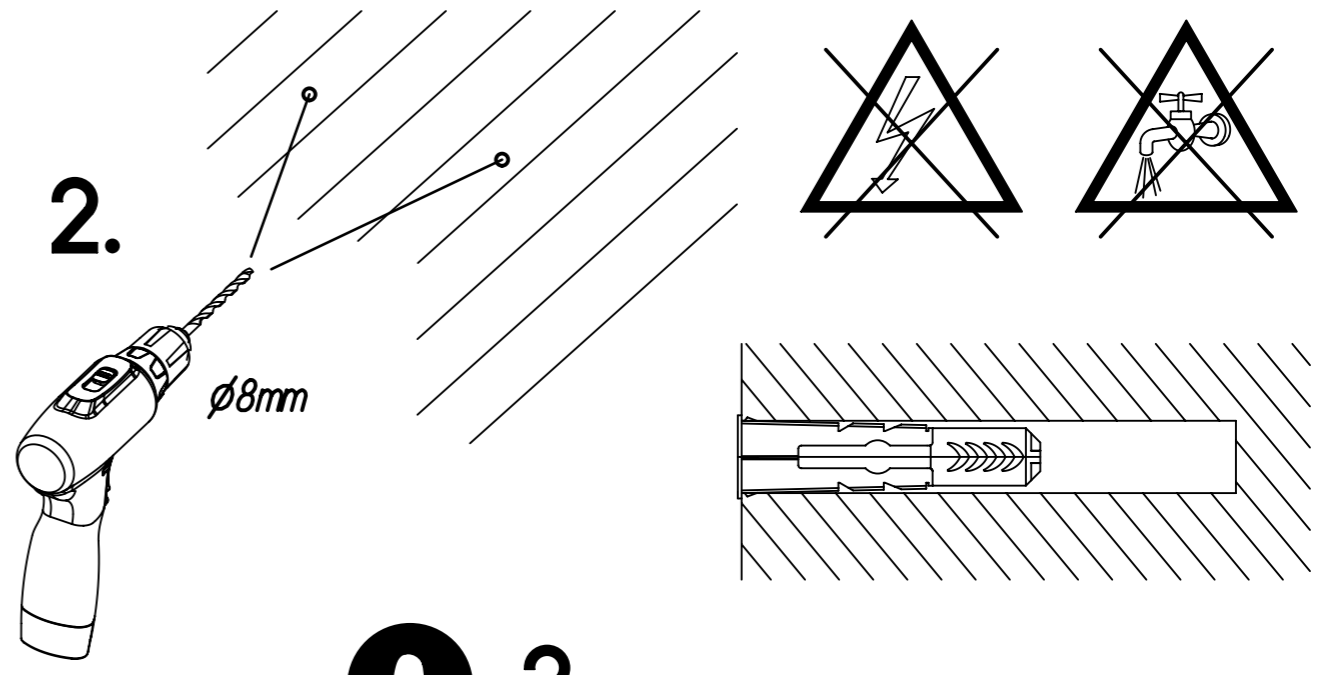
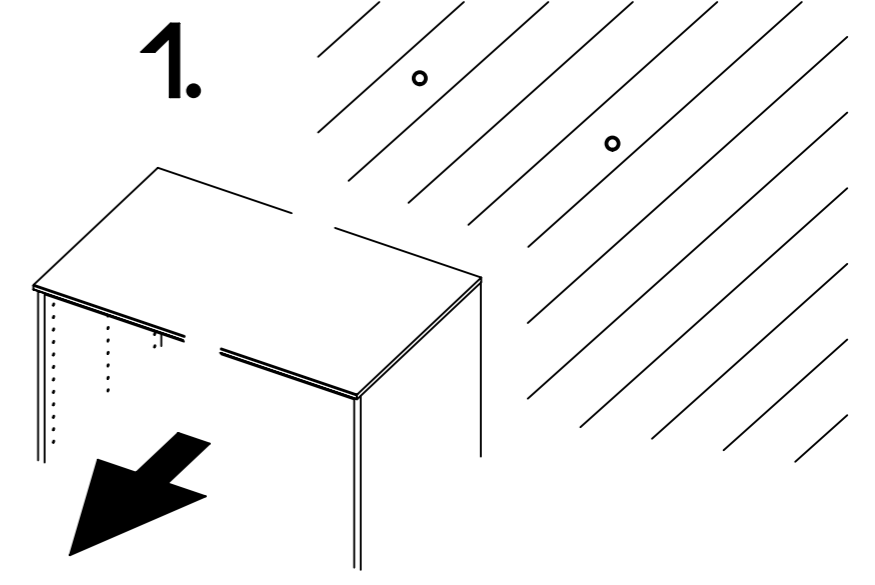
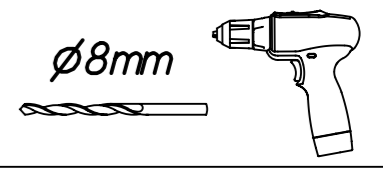
18



19

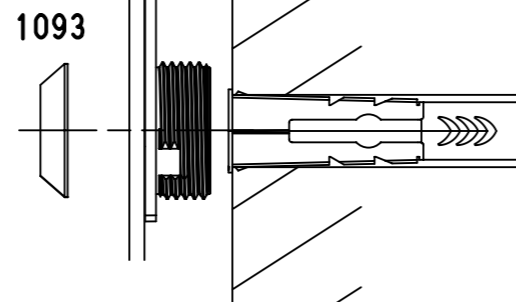
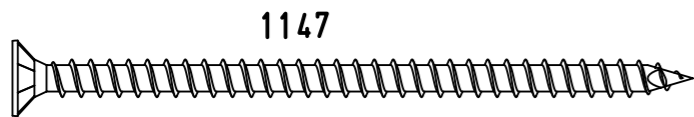
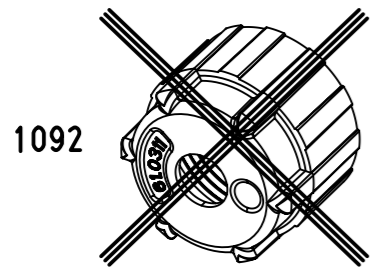
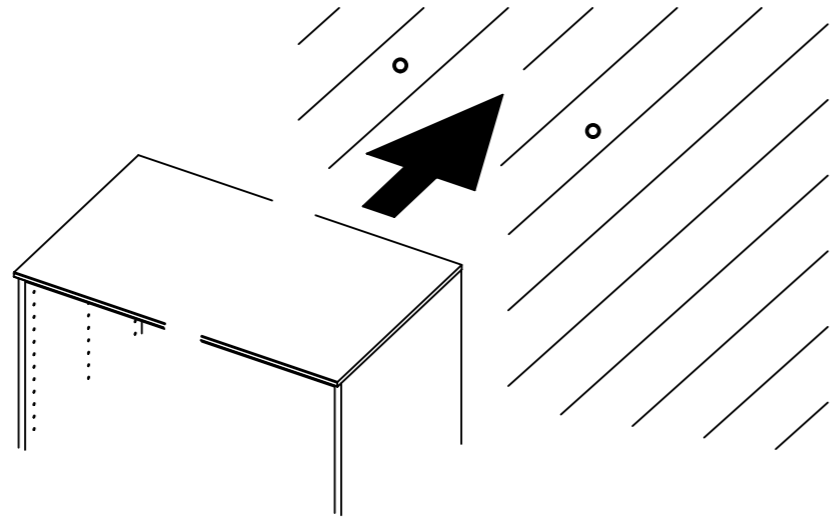
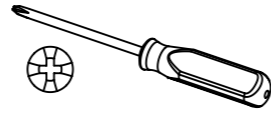
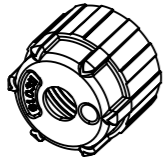


20

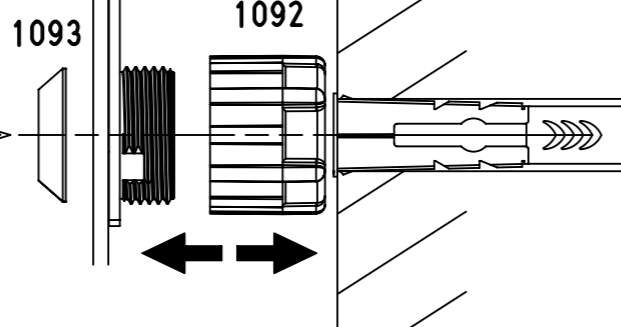
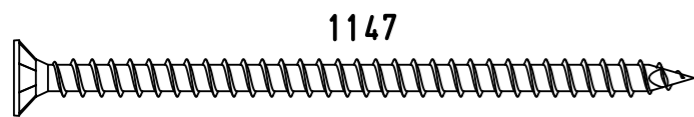


21

2x 1092

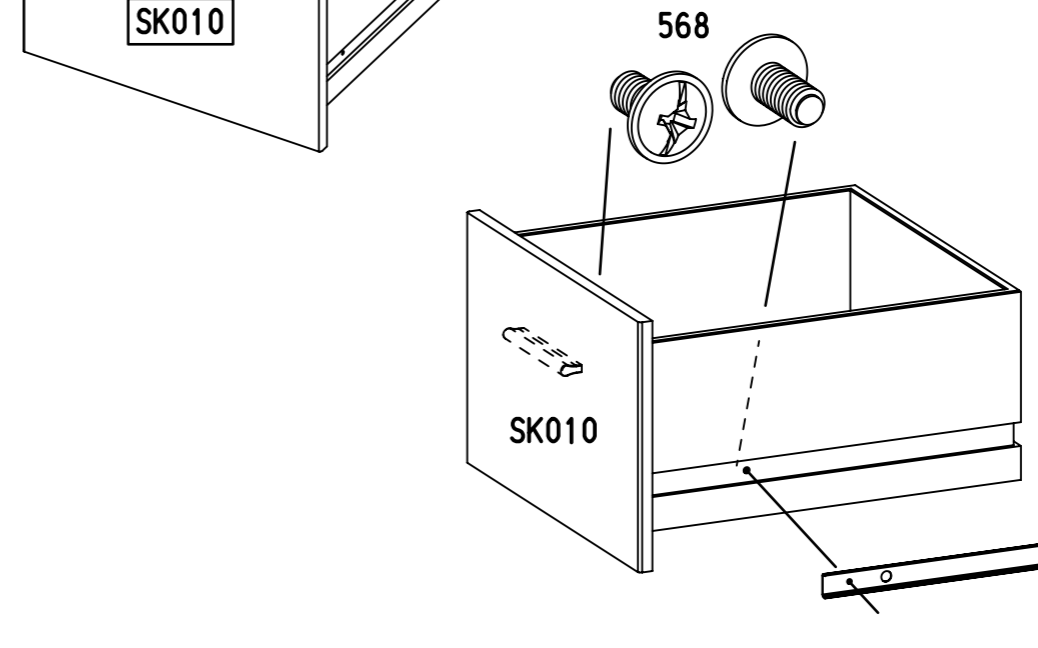
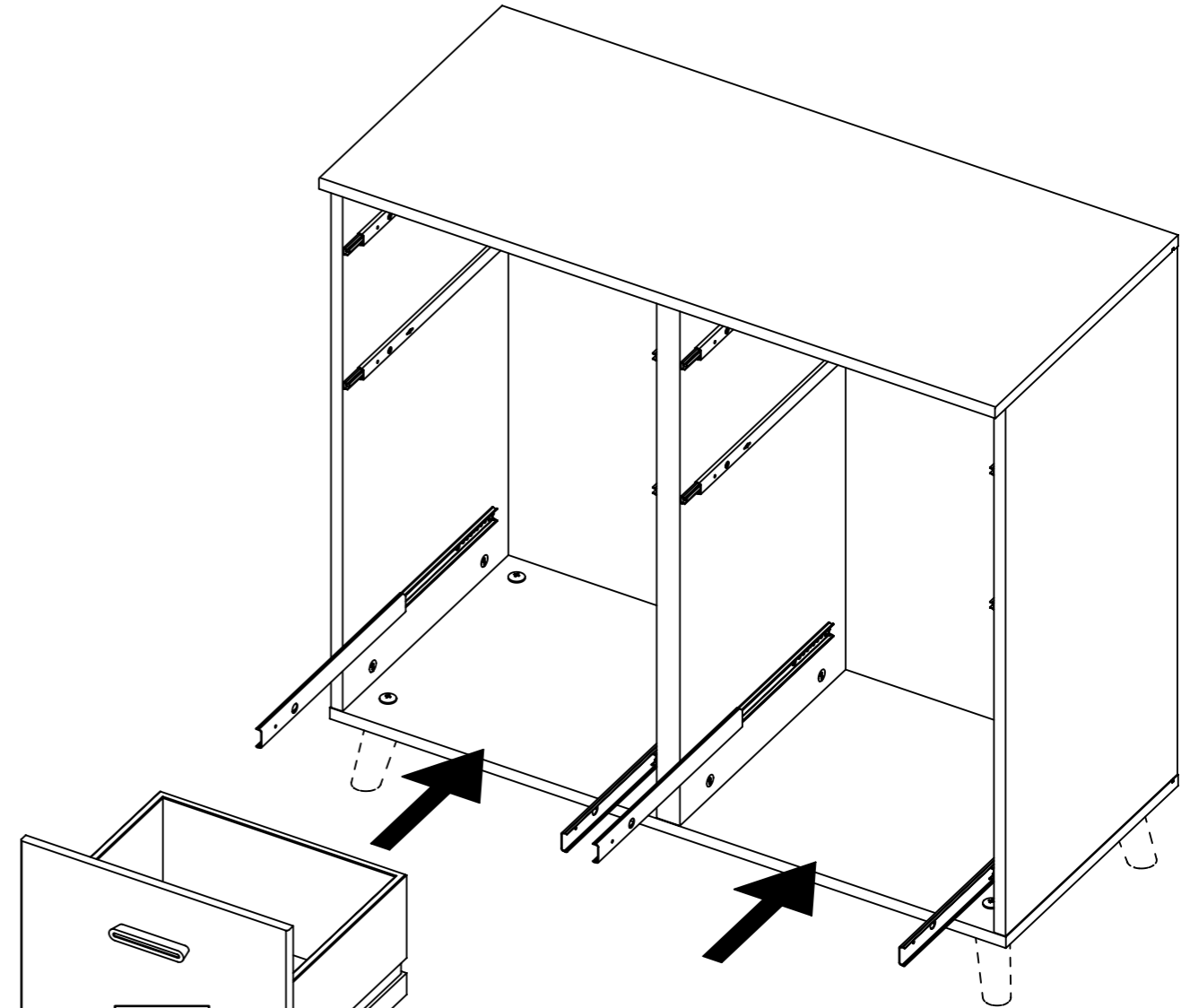
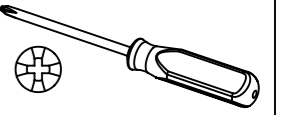
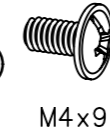


10-15mm



22

4x 568

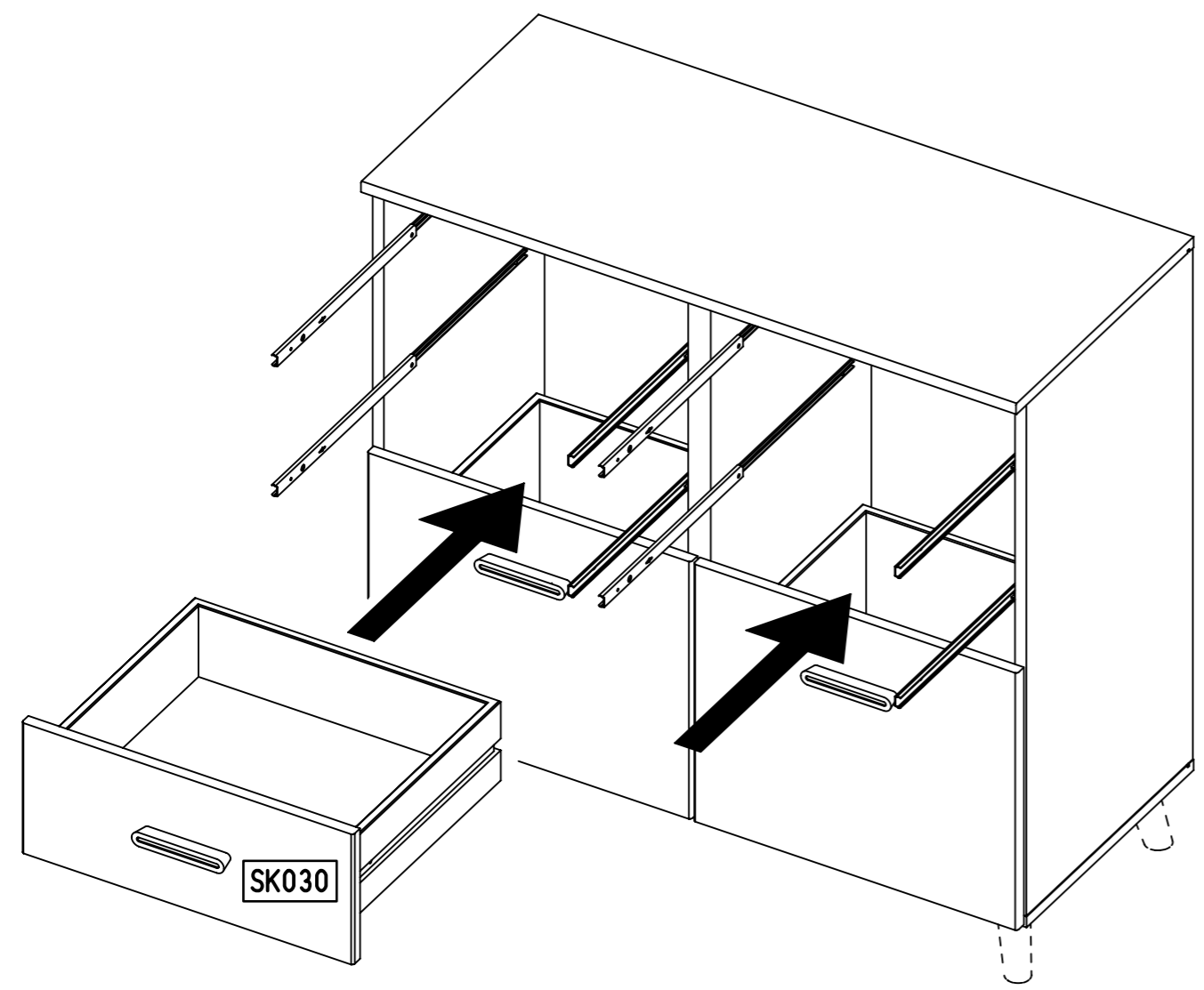
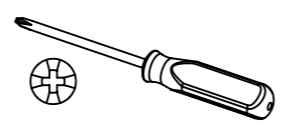


23

8x 568

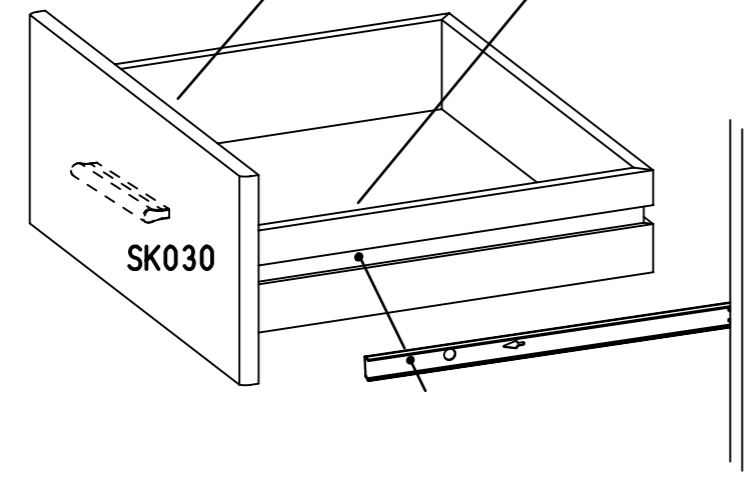


M4x9



SK030

568



SK030