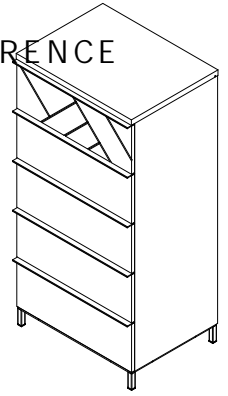
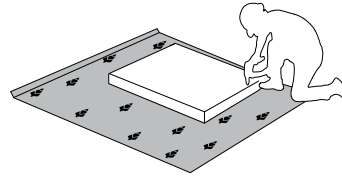
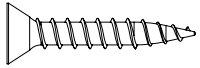


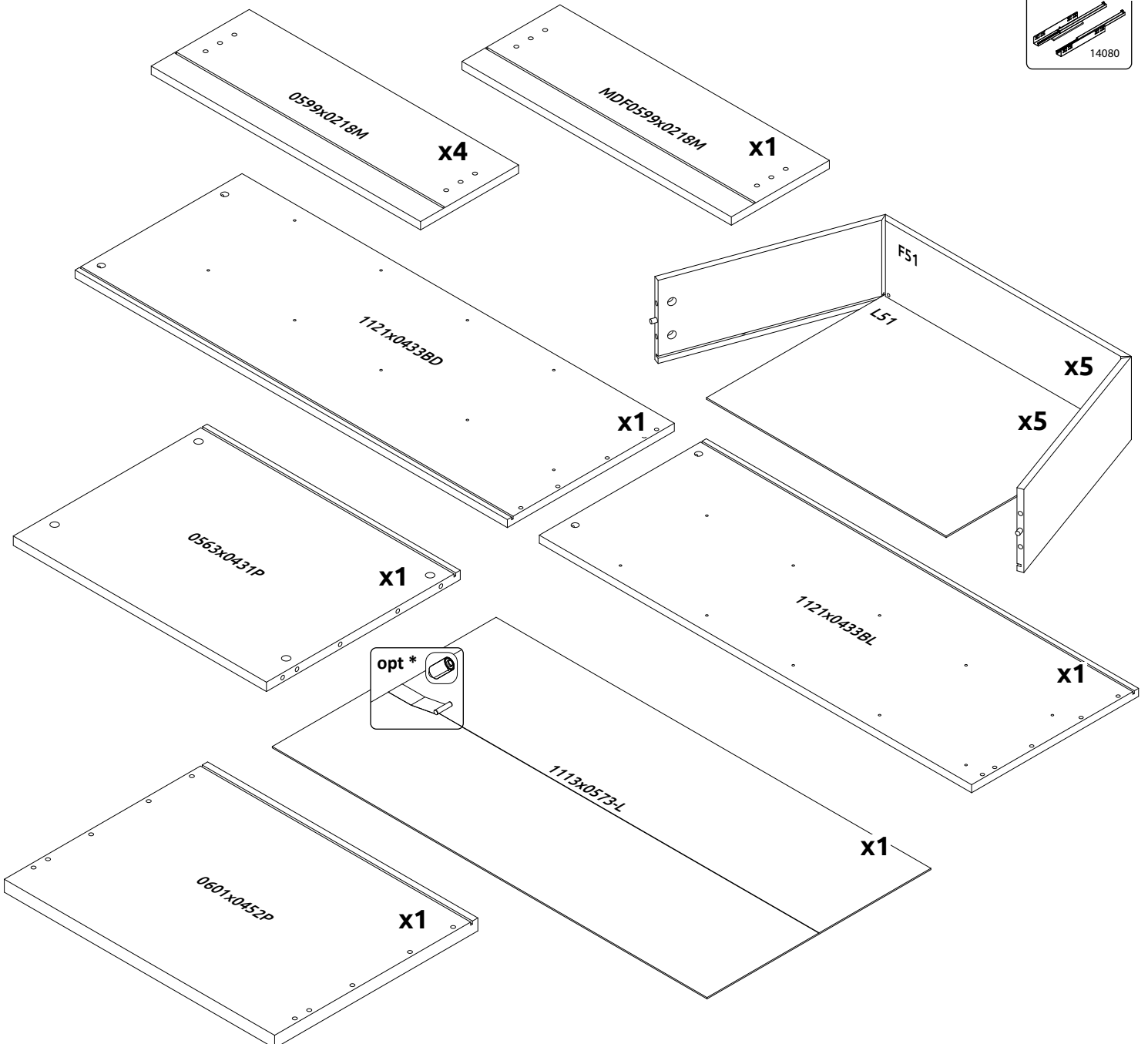
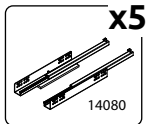


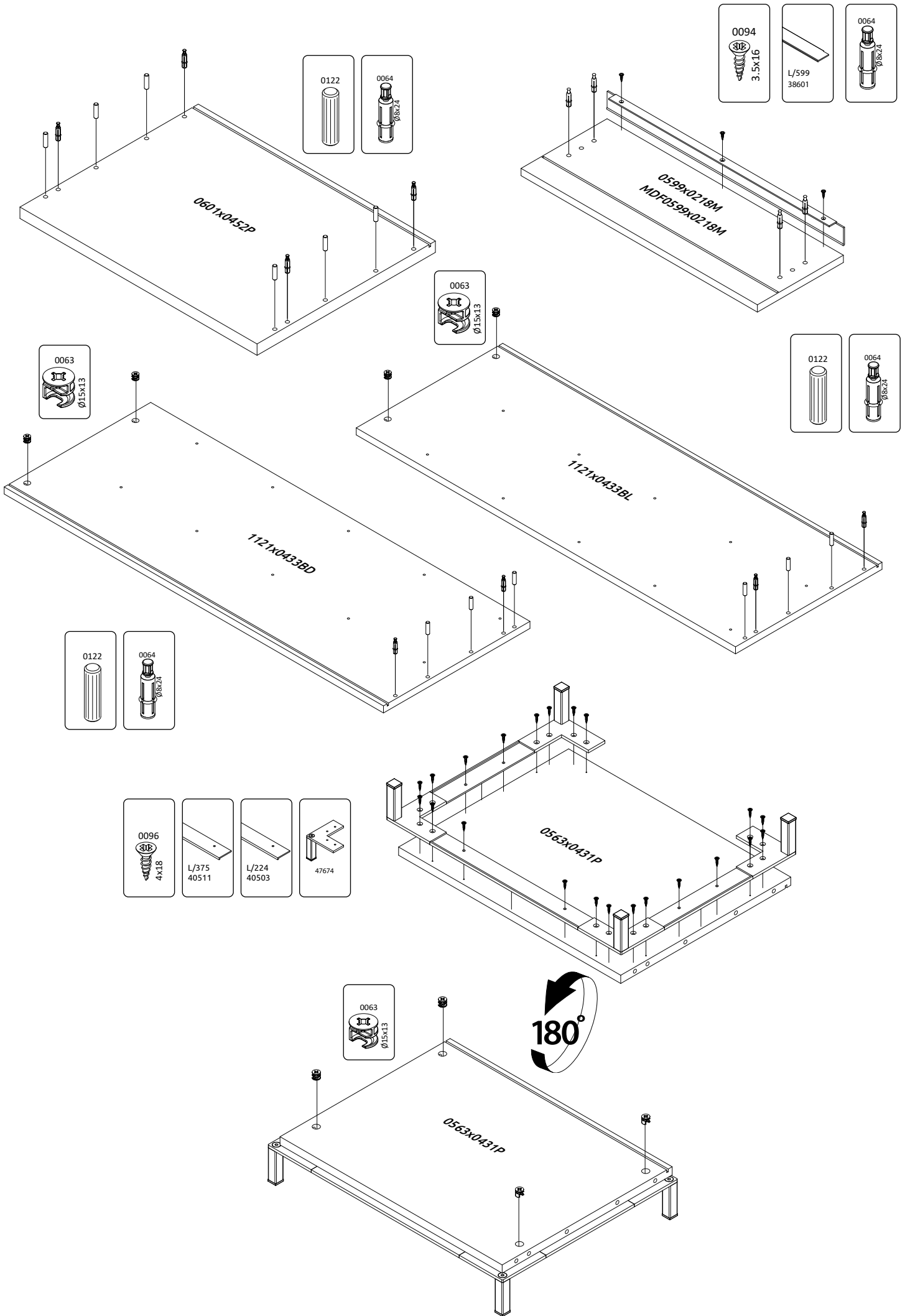
IMPORTANT - READ CAREFULLY - RETAIN FOR FUTURE REFERENCE  
WICHTIG - SORGFÄLTIG LESEN UND AUFBEWAHREN



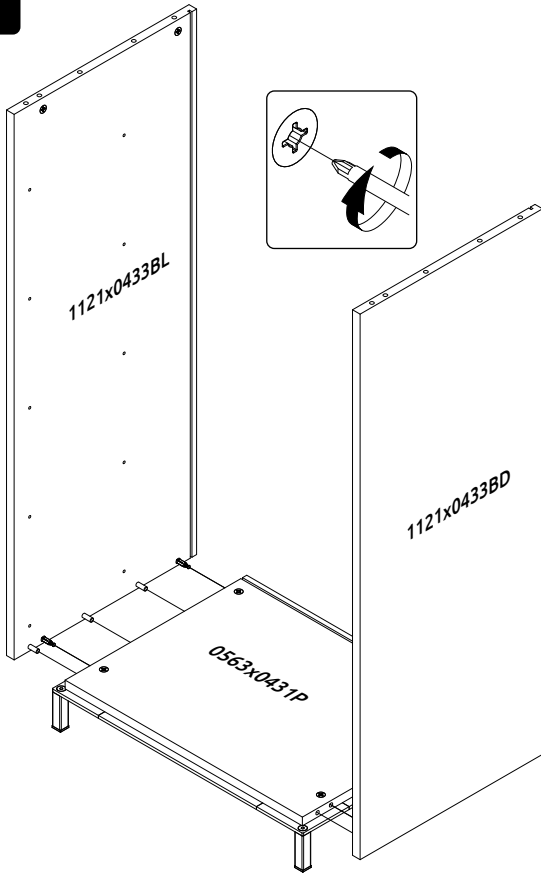
**F5/AV**  
LHW - 601x1226x452

<b>x25</b> 0094 3.5x16	<b>x20</b> 32244 3x20	<b>x22</b> 0096 4x18	<b>x20</b> 102 6.3x13	<b>x12</b> 0122	<b>x28</b> 0064 Ø5x24	<b>x8</b> 0063 Ø15x13	<b>x20</b> 0065 Ø15x10	<b>x20</b> 0108	<b>x20</b> EKSK	<b>x2</b> 0113 GLUE	<b>x5</b> L/599 38601	<b>x1</b> L/375 40511	<b>x2</b> L/224 40503	<b>x4</b> 47674
------------------------------	-----------------------------	----------------------------	-----------------------------	--------------------	-----------------------------	-----------------------------	------------------------------	--------------------	--------------------	---------------------------	-----------------------------	-----------------------------	-----------------------------	--------------------

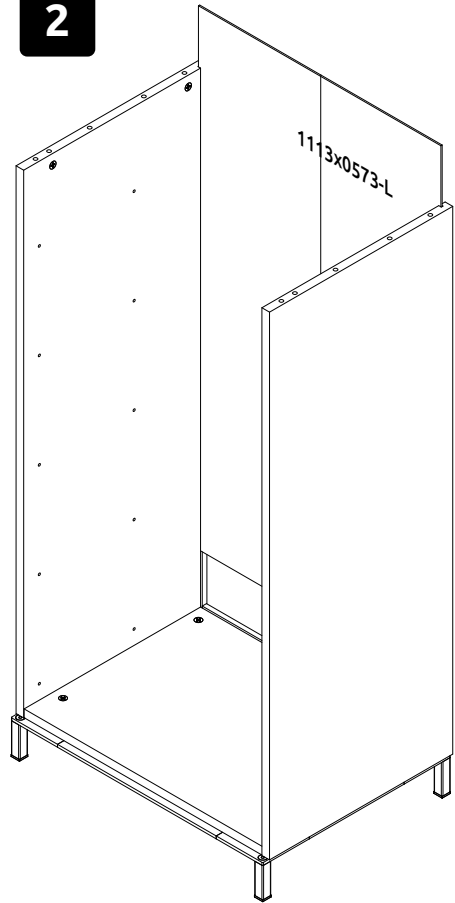




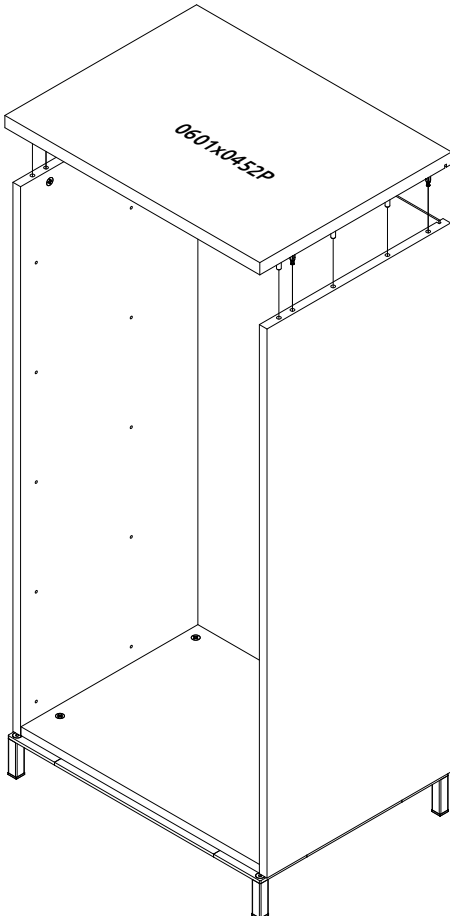
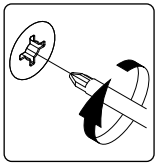
1



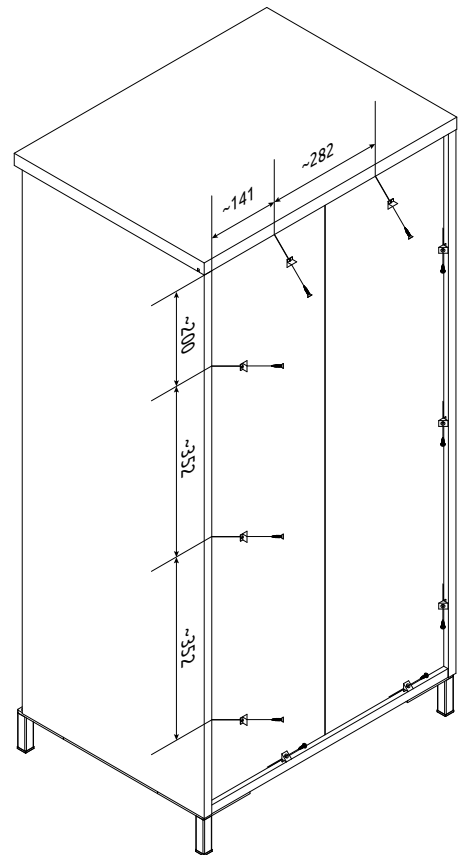
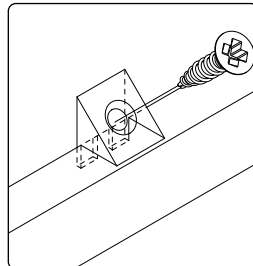
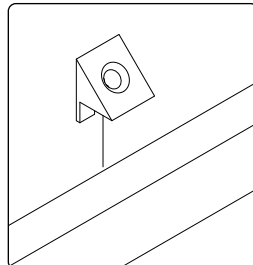
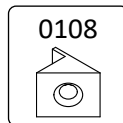
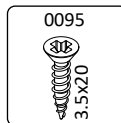
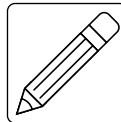
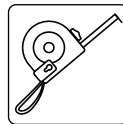
2



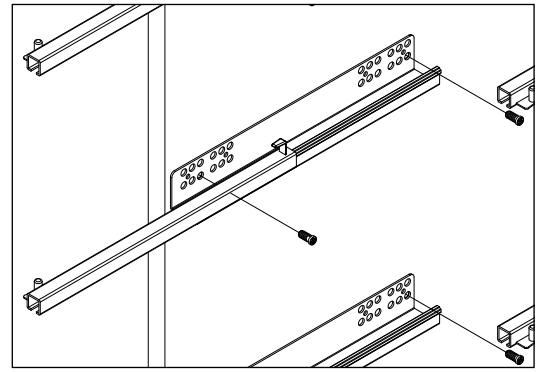
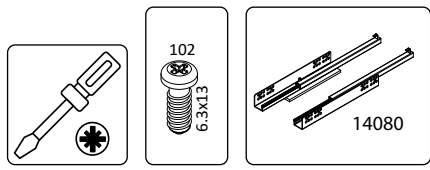
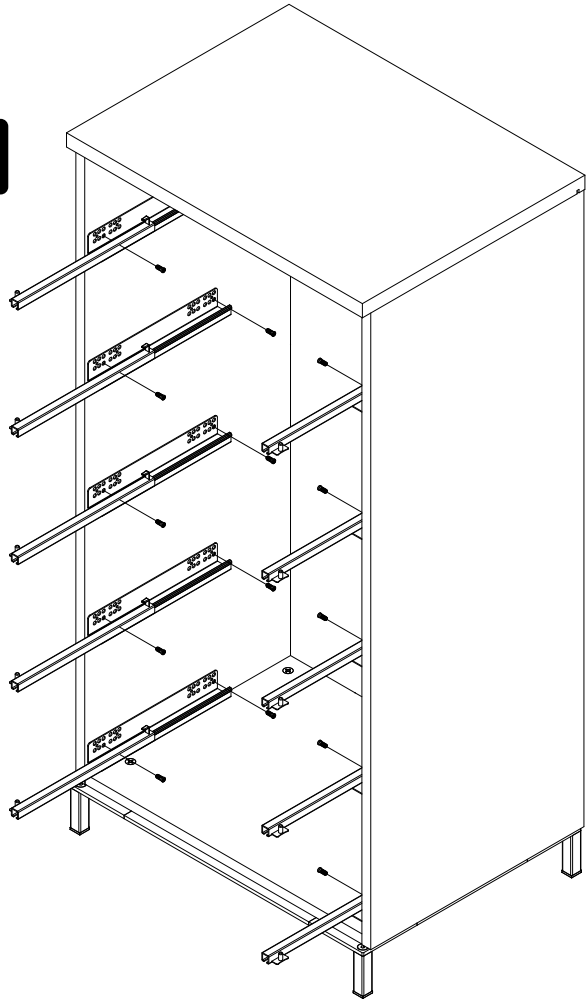
3



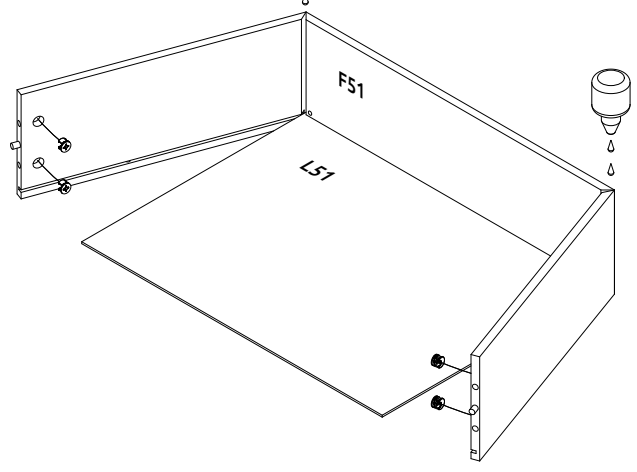
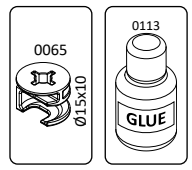
4



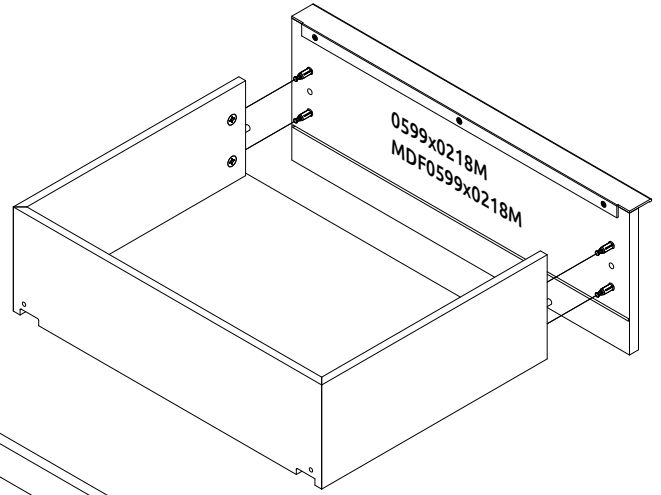
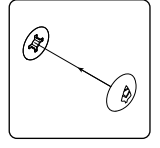
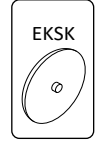
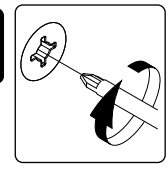
**5**



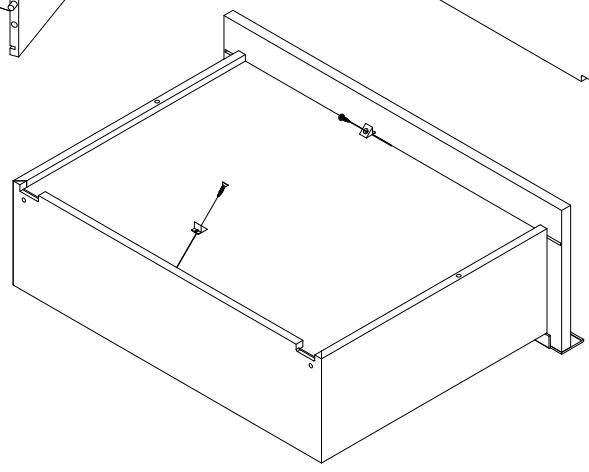
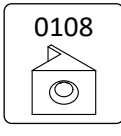
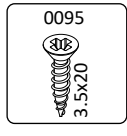
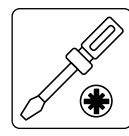
**6**

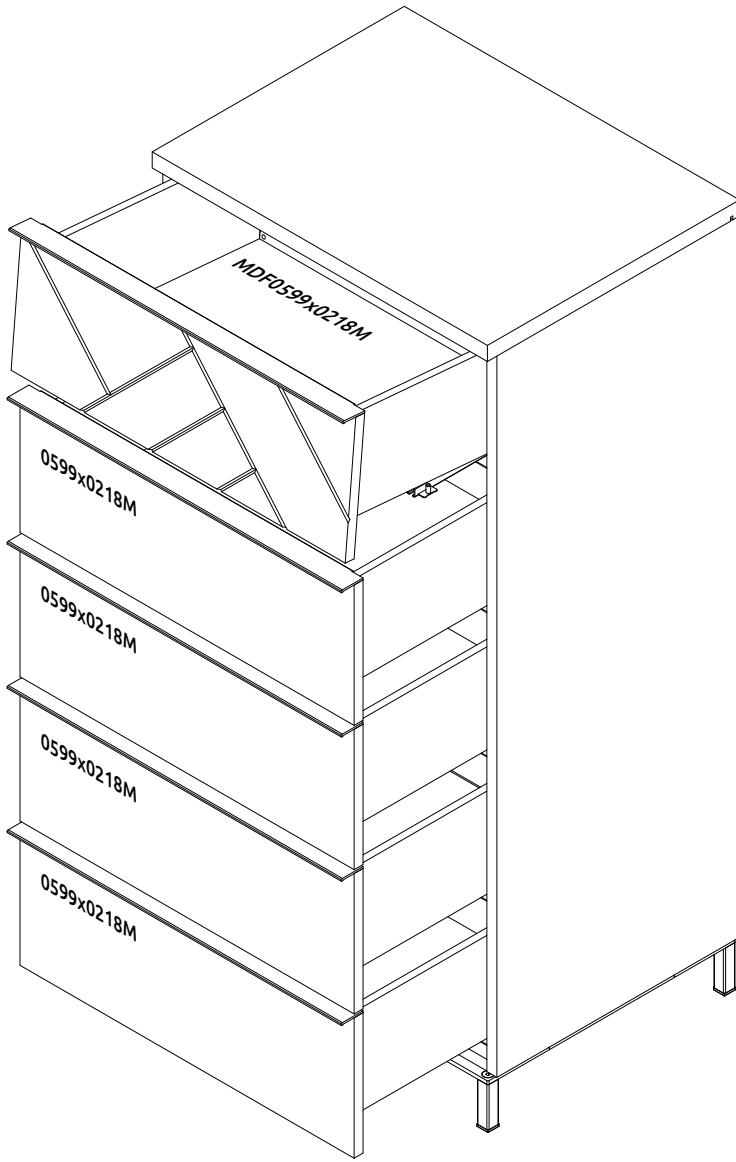


**7**



**8**





**9**

