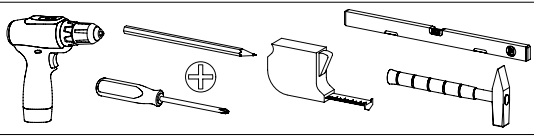
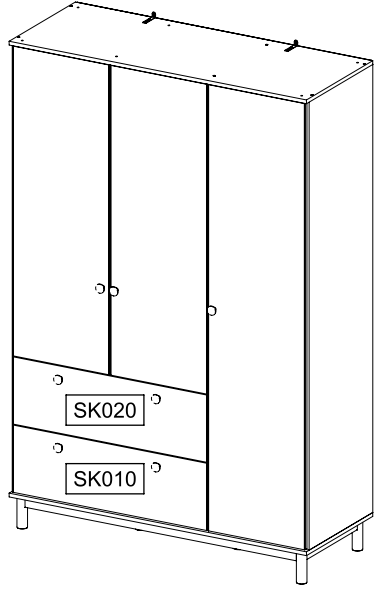
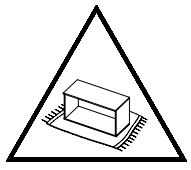


M2729_01

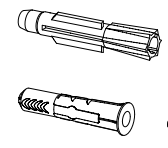
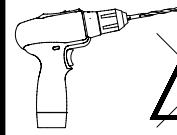
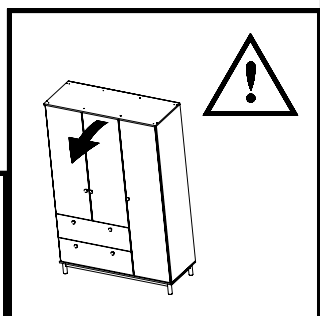
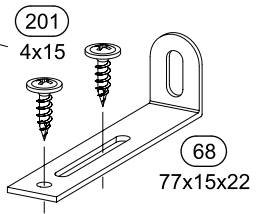
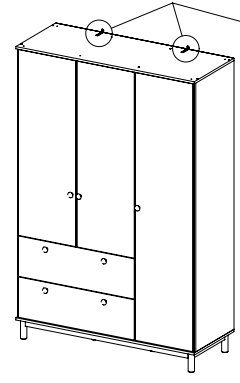
rauch



2-3h

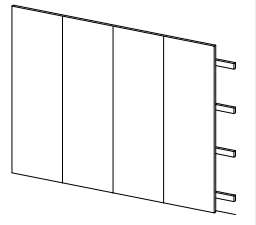
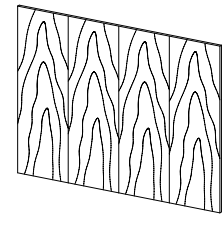
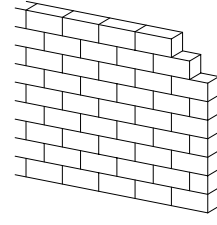
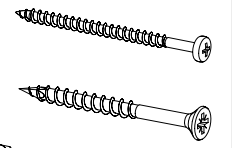


M2729

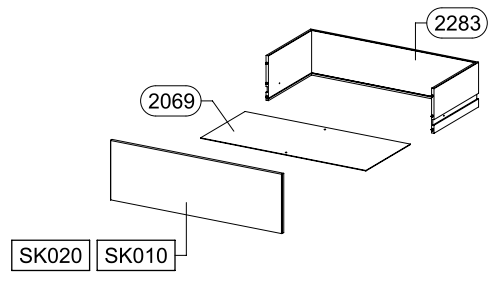
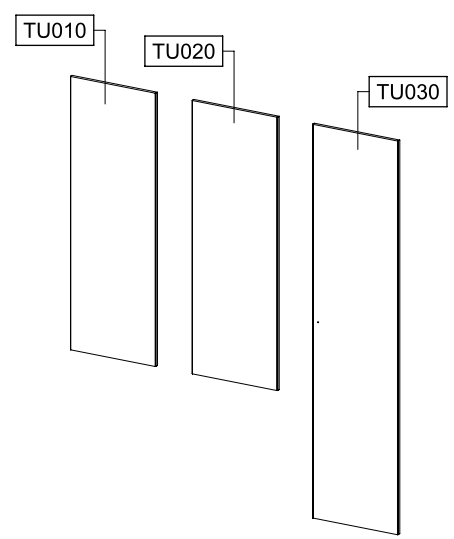
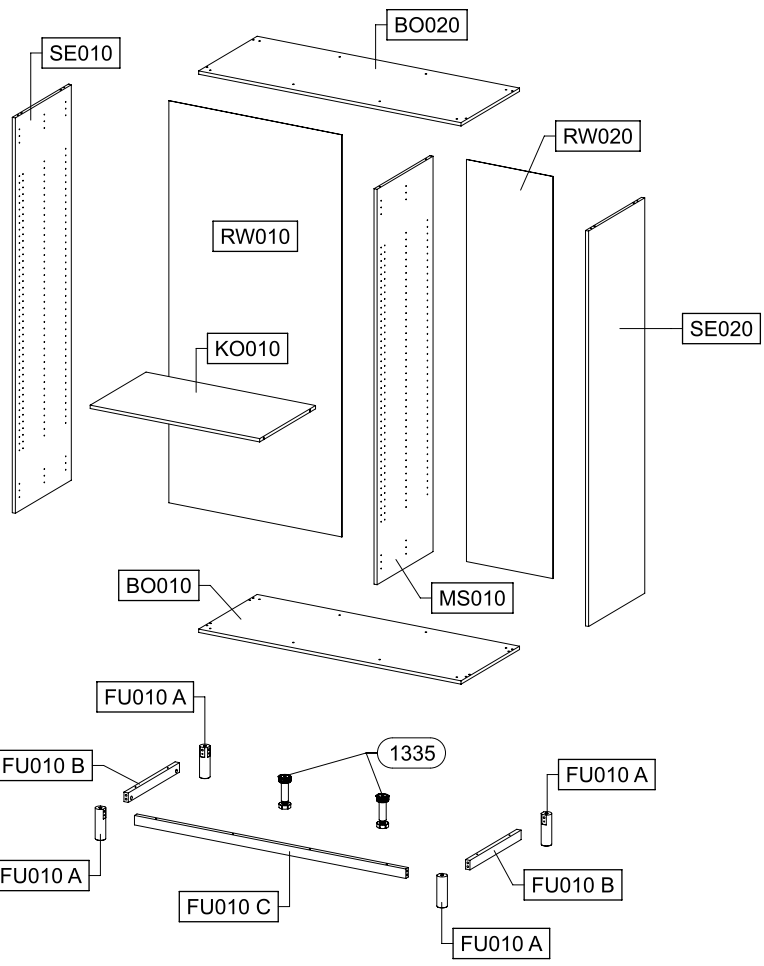


?

ØXmm



M2729



M2729

M2729

11x 	12x 6,3x50 	14x 8x30 	
4x 	40x 1,5x25 	7x 3x20 	
4x 3,5x15 	7x 	8x 6x8 	
4x M4x9 	4x 5,0x7,0 	4x 	8x Ø8
2x 4x20 	1x 34x14,5x12 	4x 4x15 	
4x M6x40 	6x 		
6x 	8x 4,5x35 	8x 4x15 	

M2729

1	11	
---	----	--

1.

2.

3.

4.

SK020
SK010

Xmm = Xmm

Xmm Xmm

20 Min

M2729

4x 	342x27x9,5
2x 	

M2729

2	4x 201 4x15 	4x 1 	
---	-----------------------	-------------	--


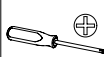
1.

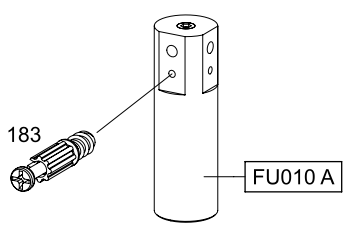
2.

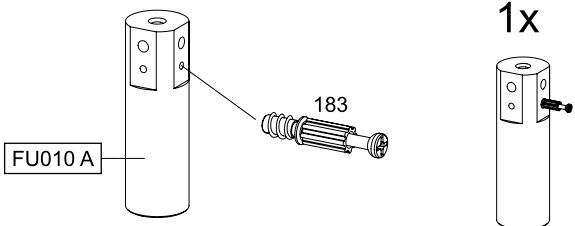
SK010
SK020

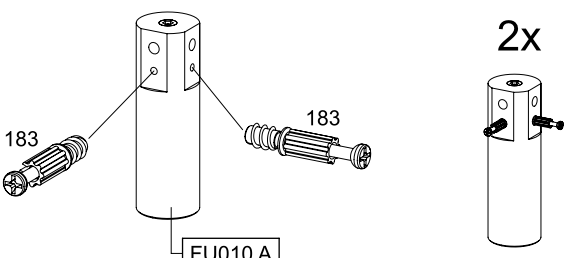
201

M2729

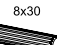
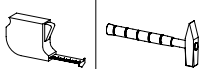
3 6x 183  

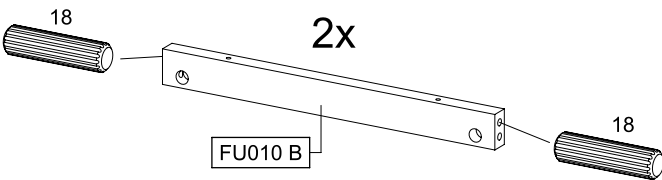
1x 

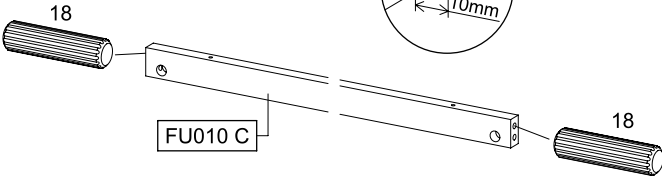
1x 

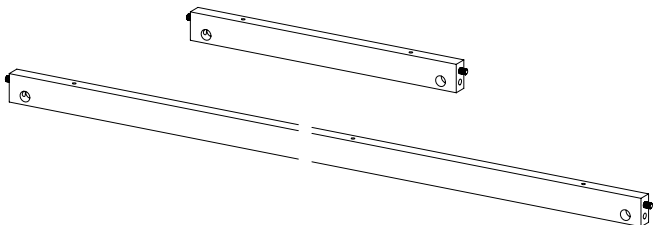
2x 

M2729



4 6x 18  

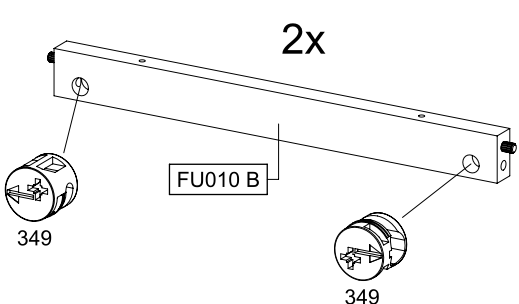
2x 

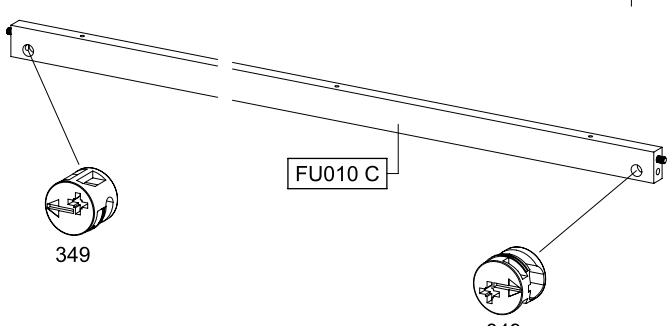





M2729

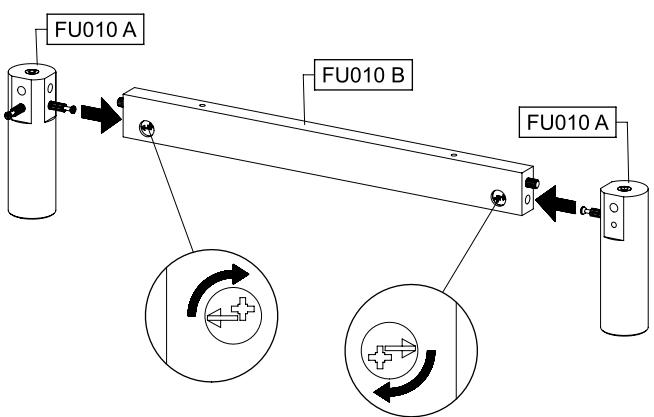
5 6x 349  

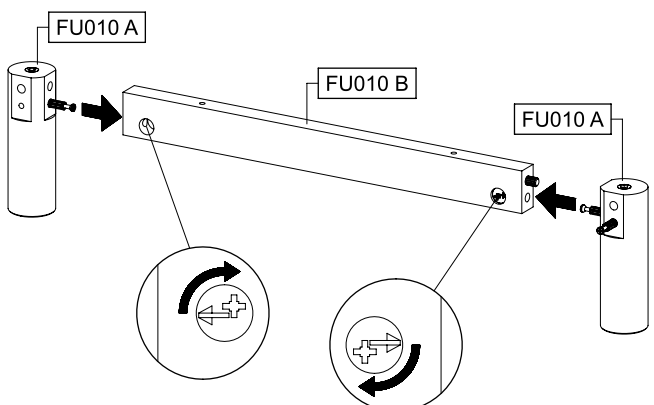
2x 



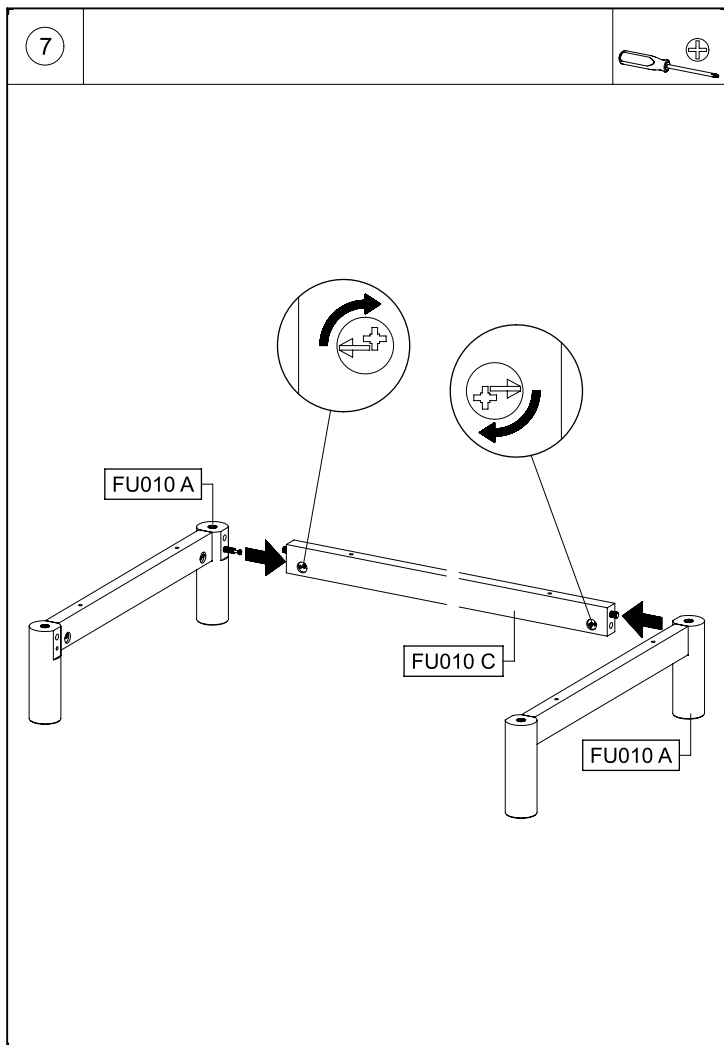
M2729

6 

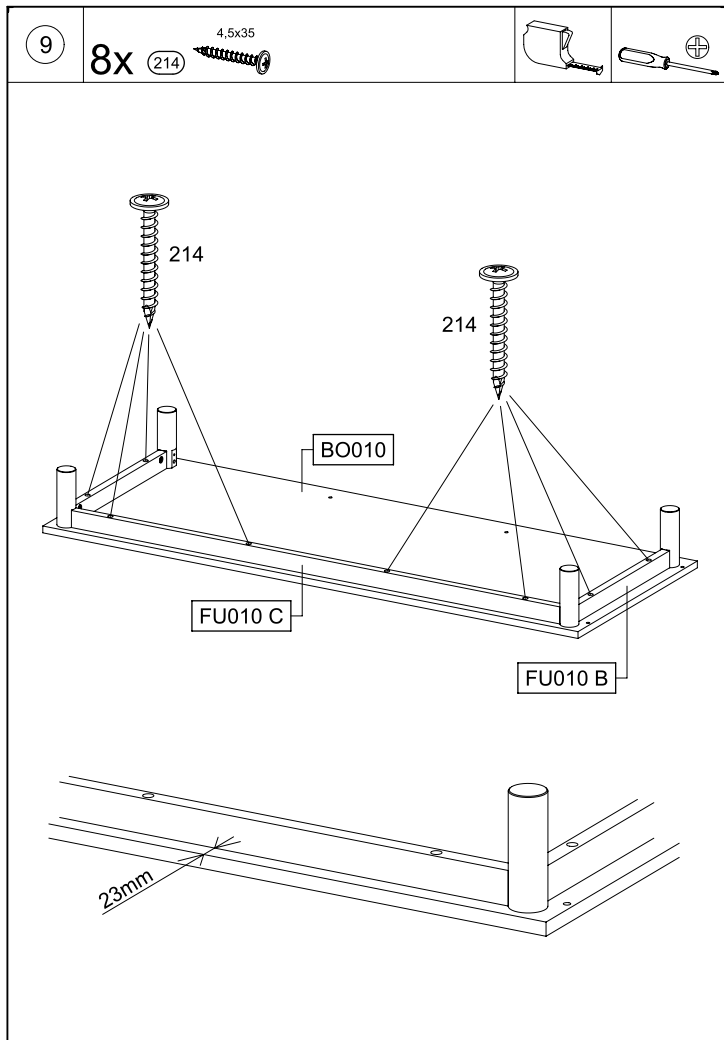




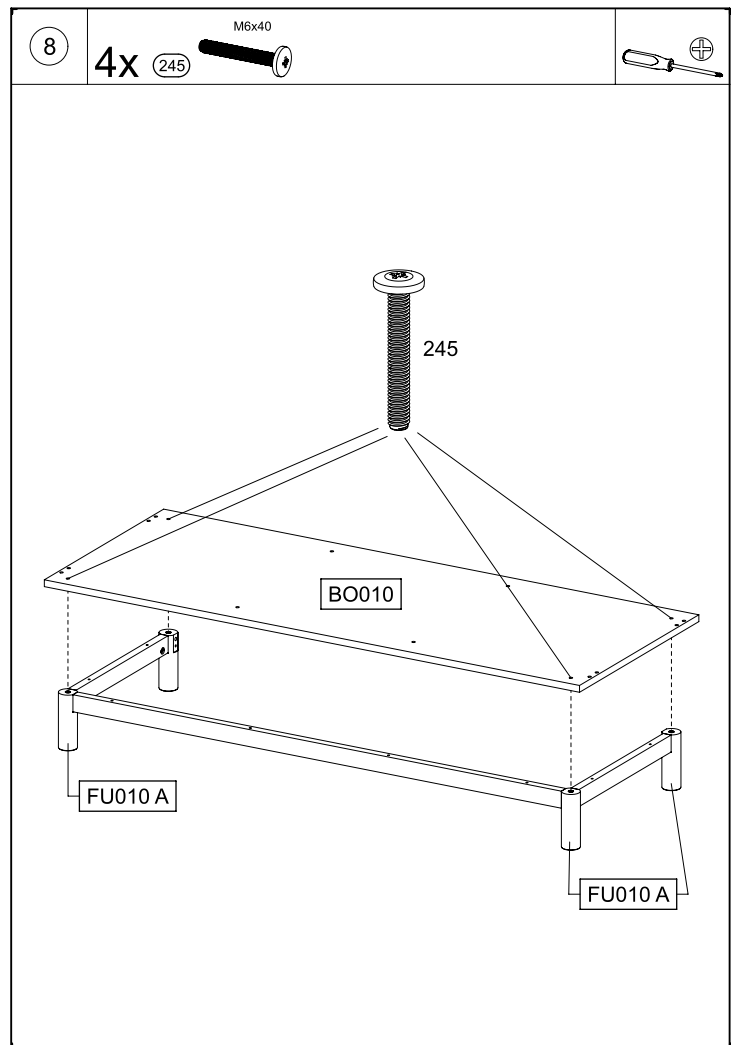
M2729



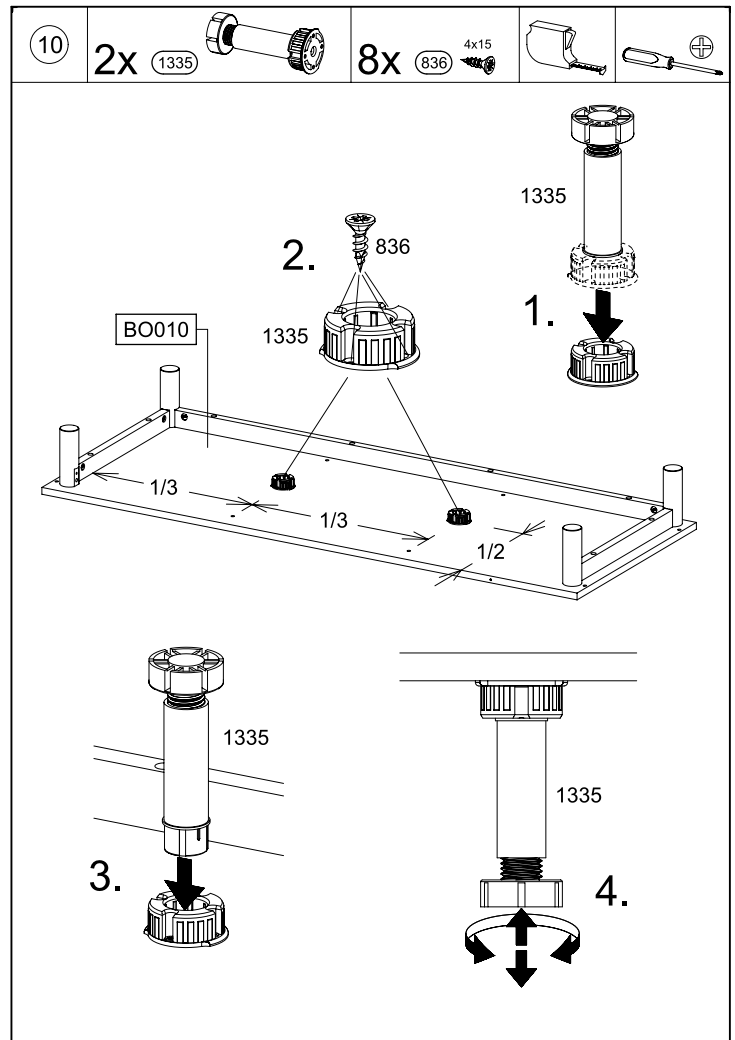
M2729



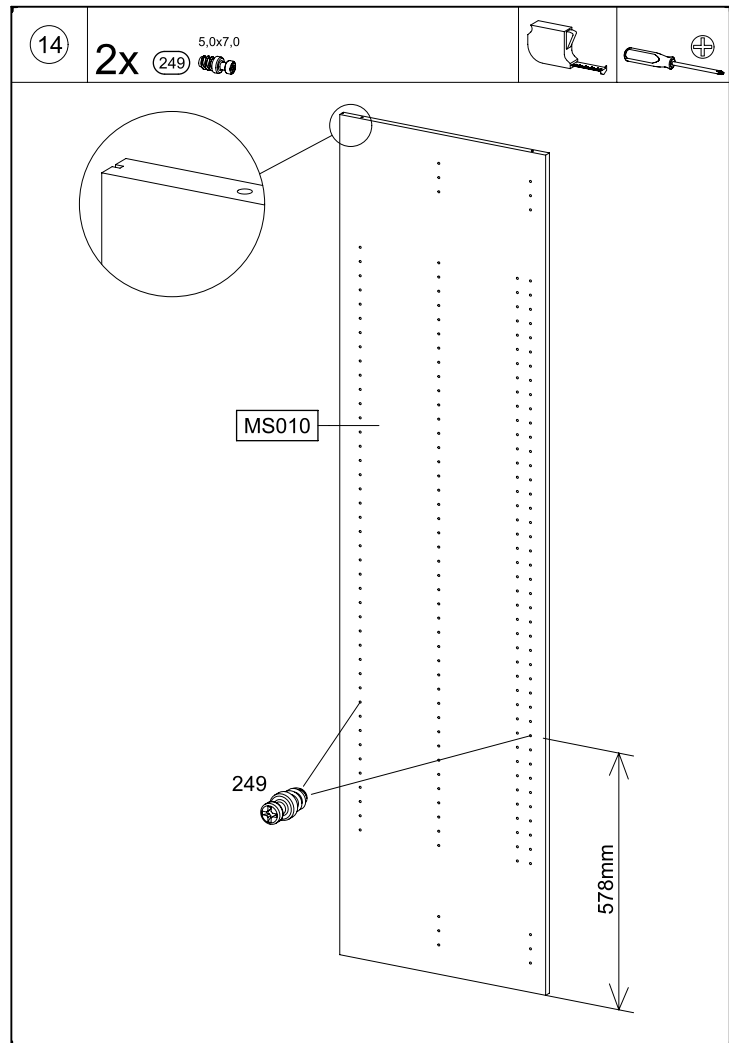
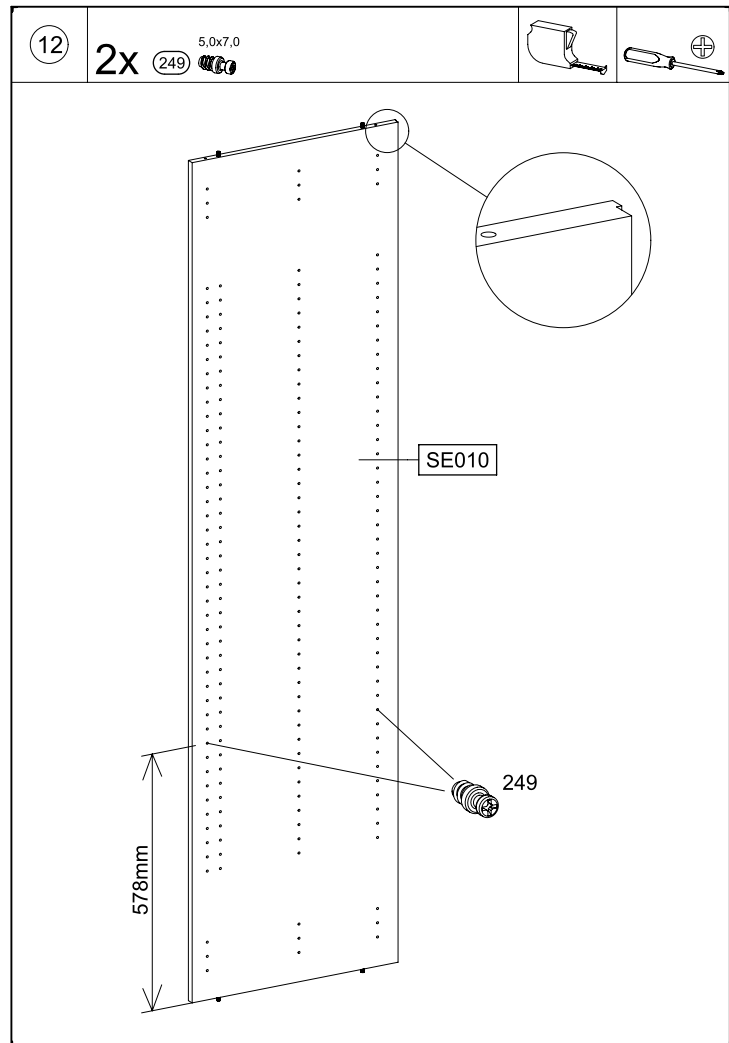
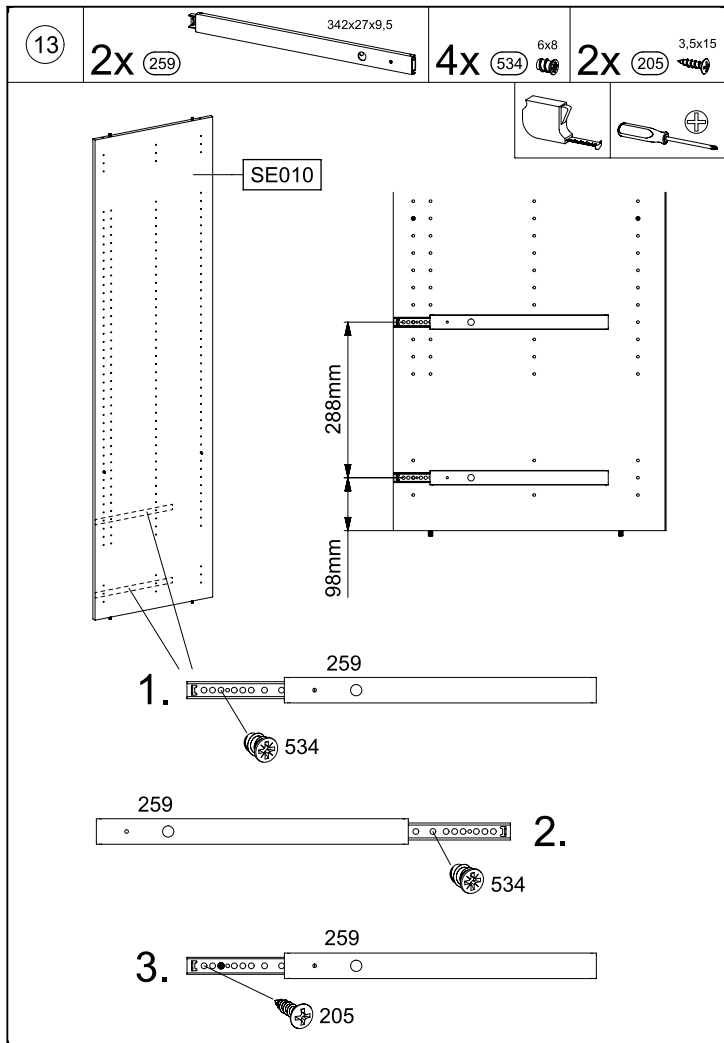
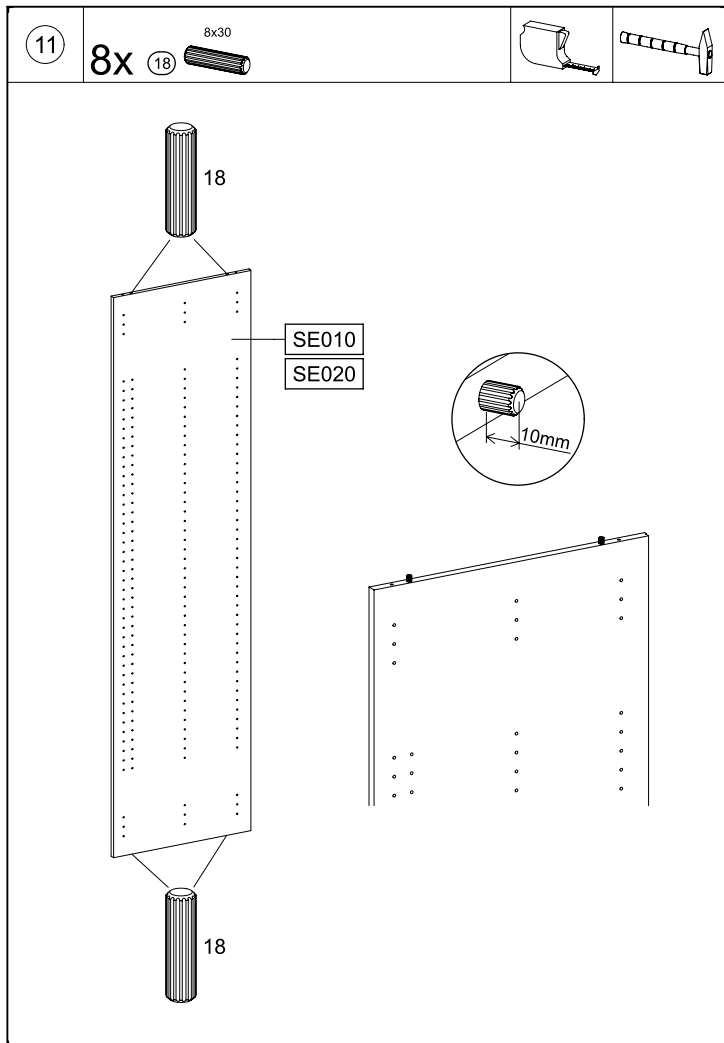
M2729

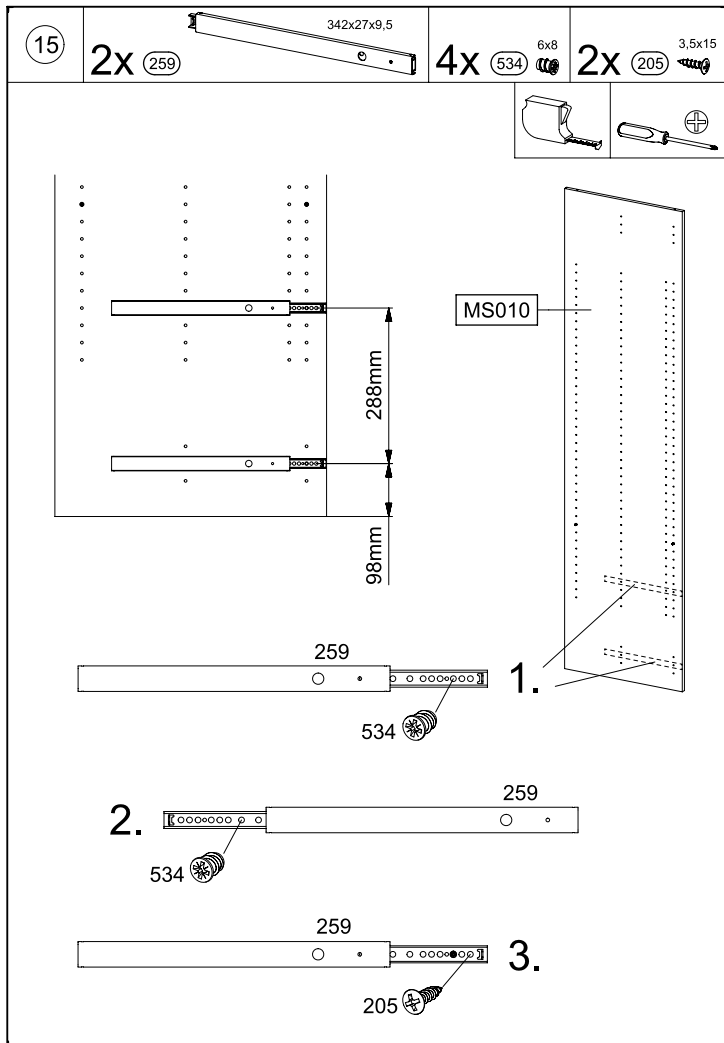


M2729

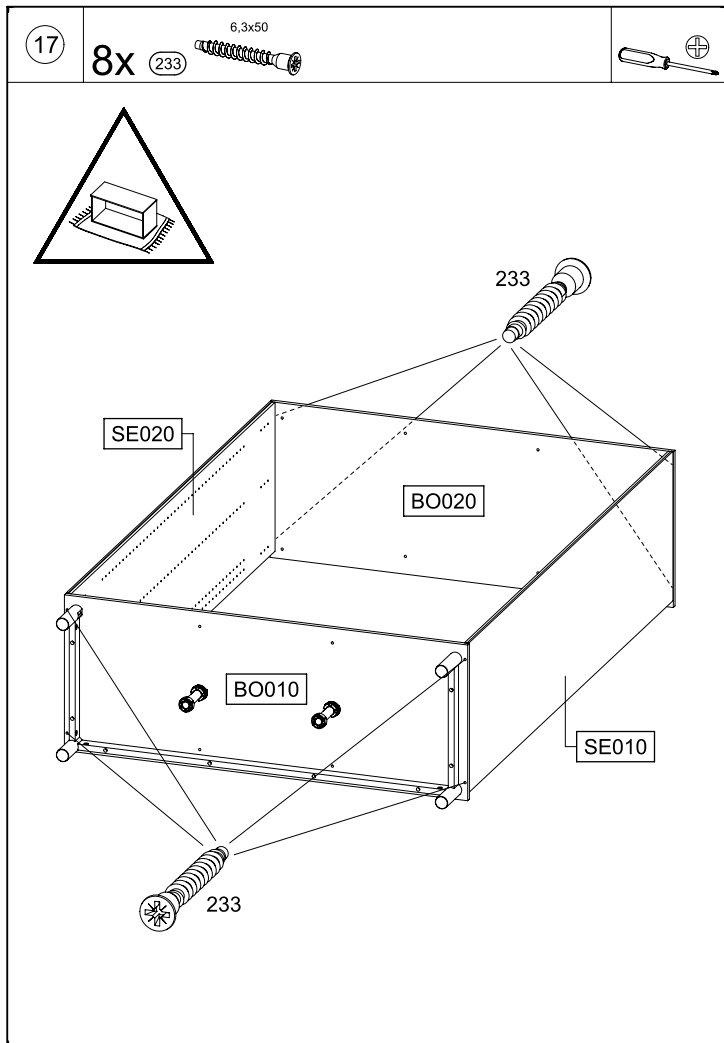


M2729

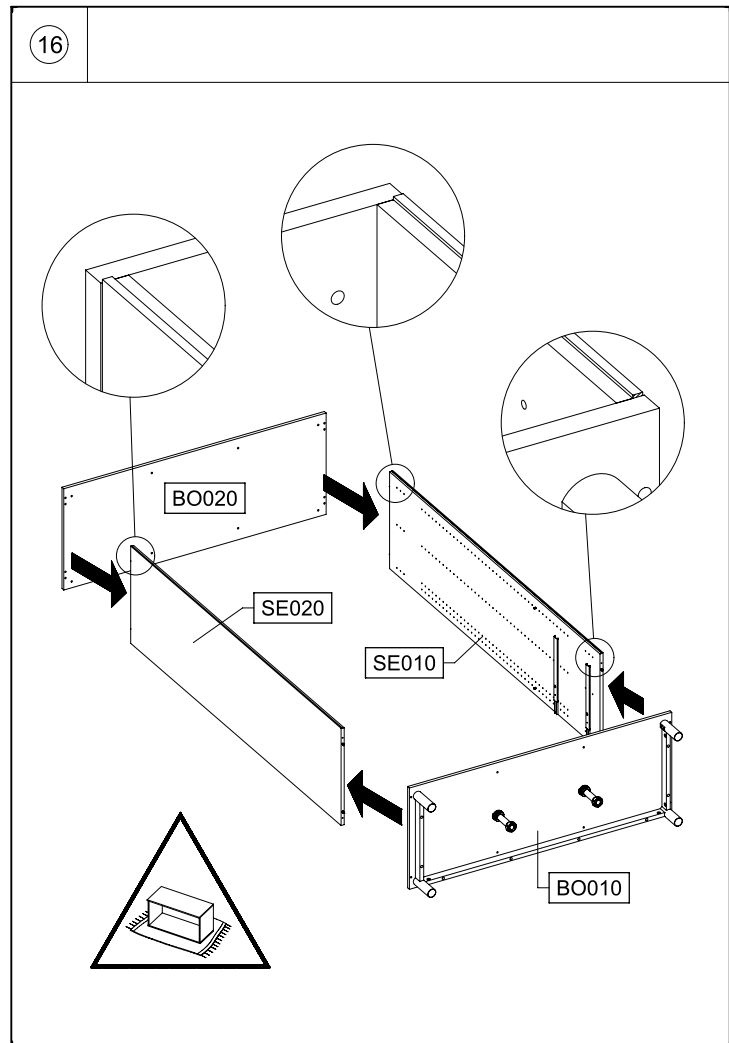




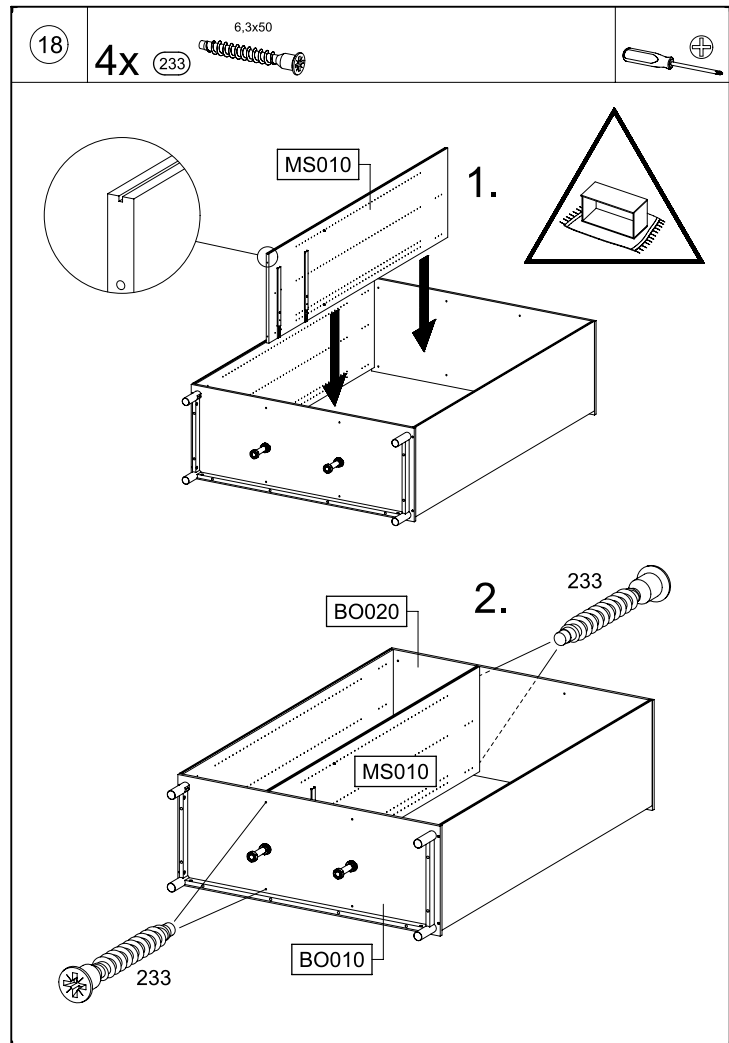
M2729



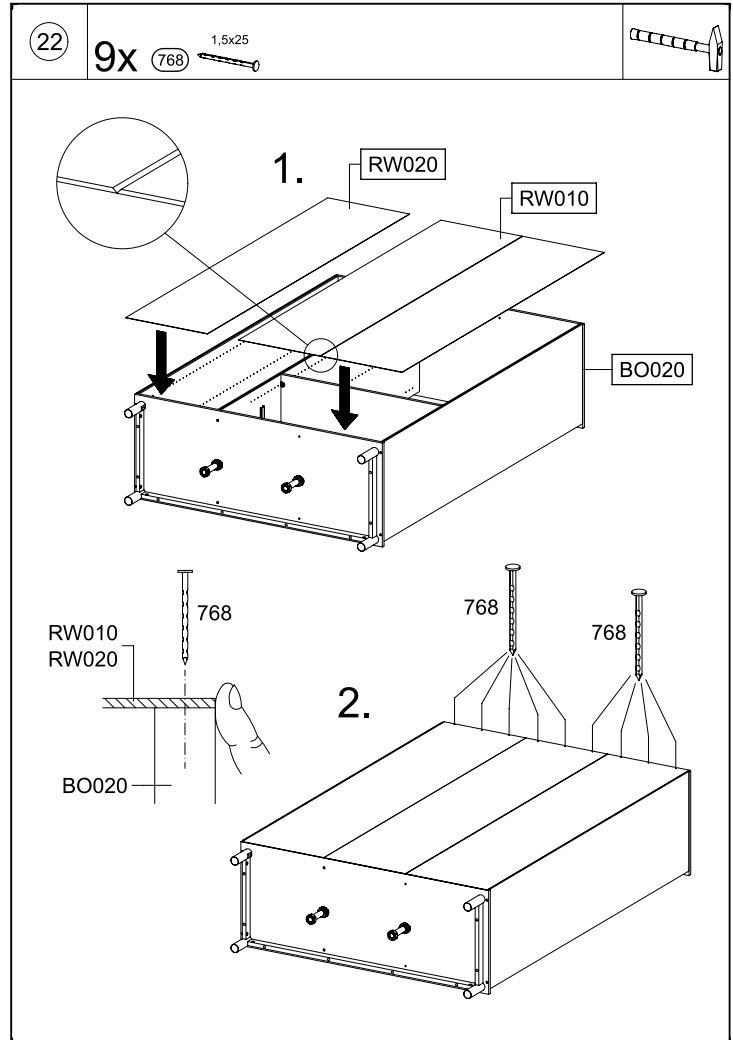
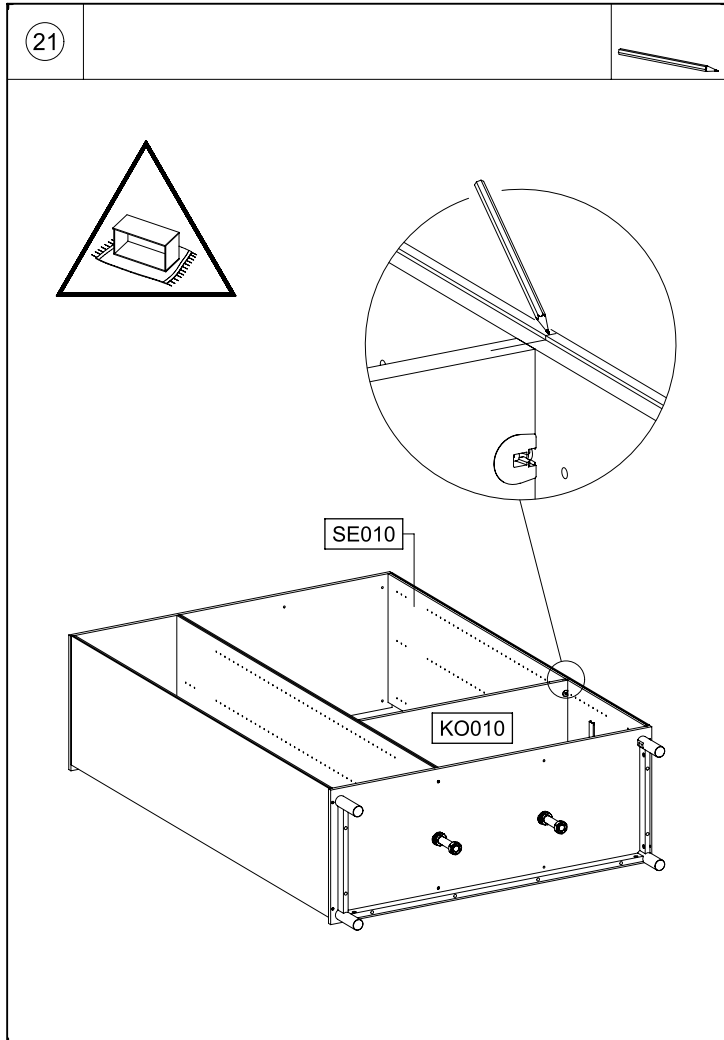
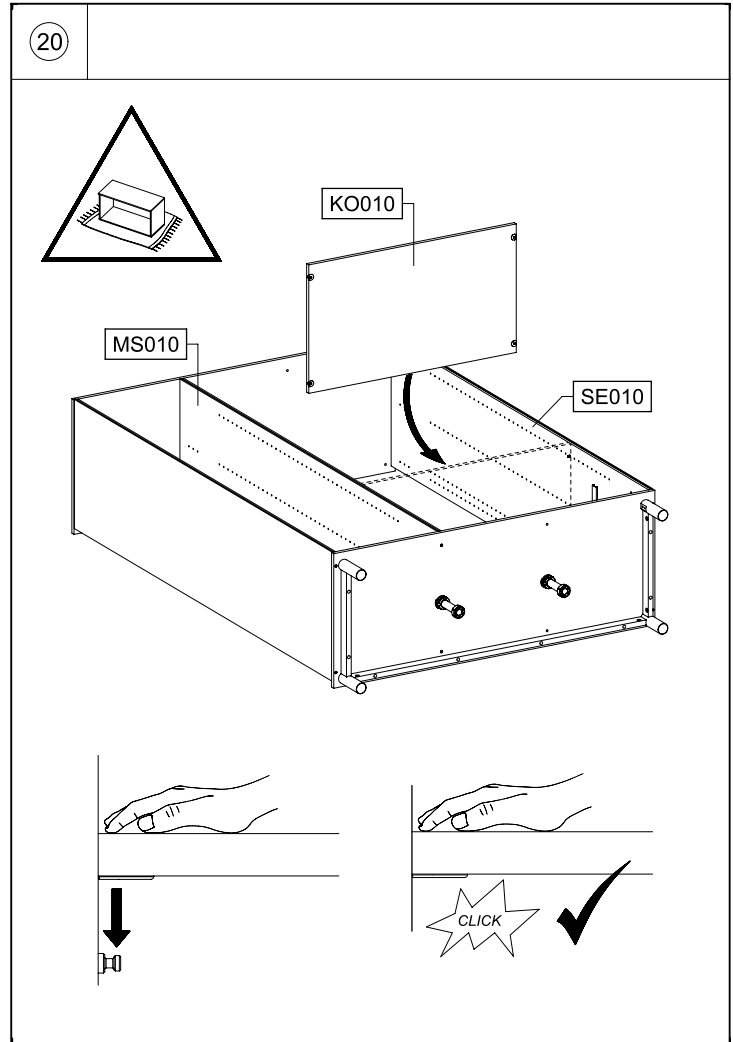
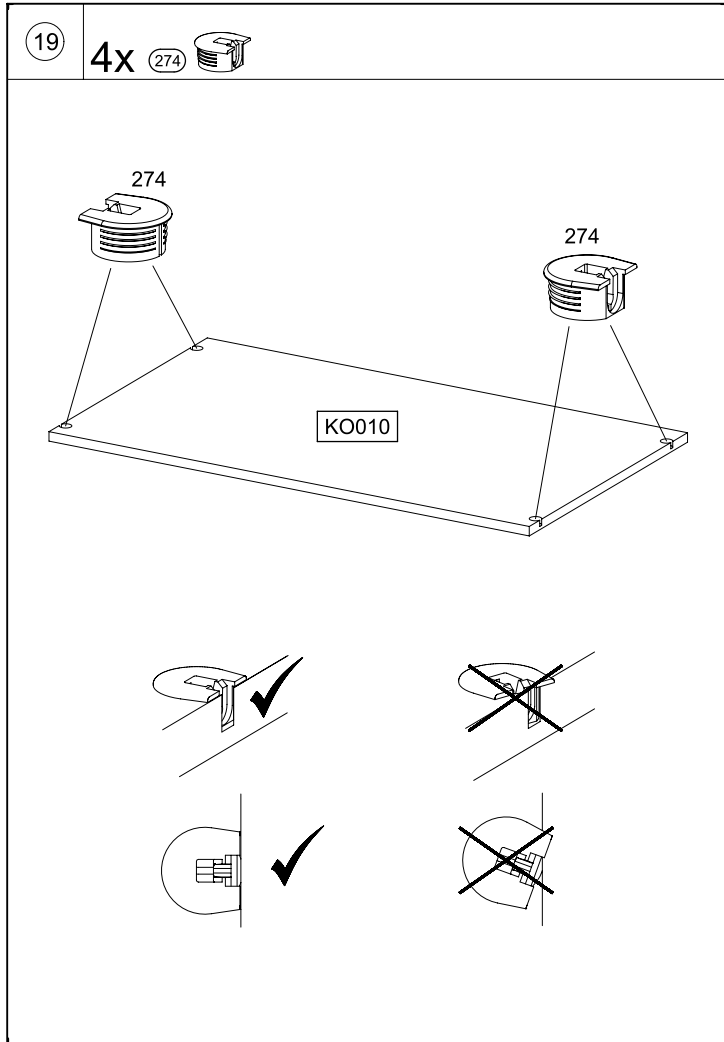
M2729

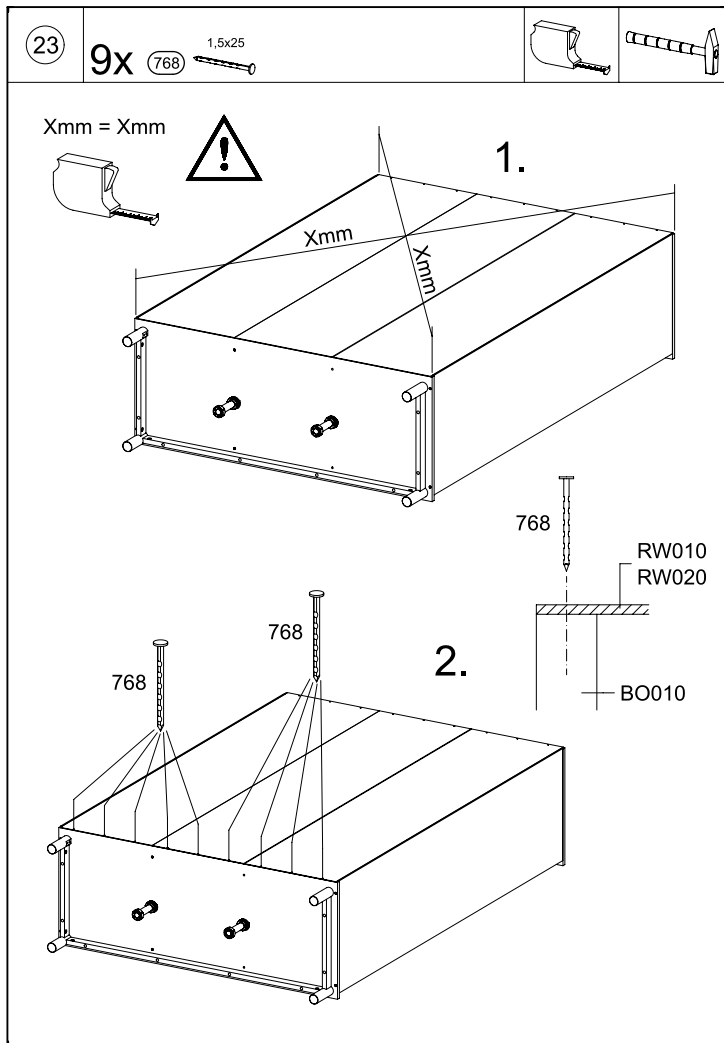


M2729



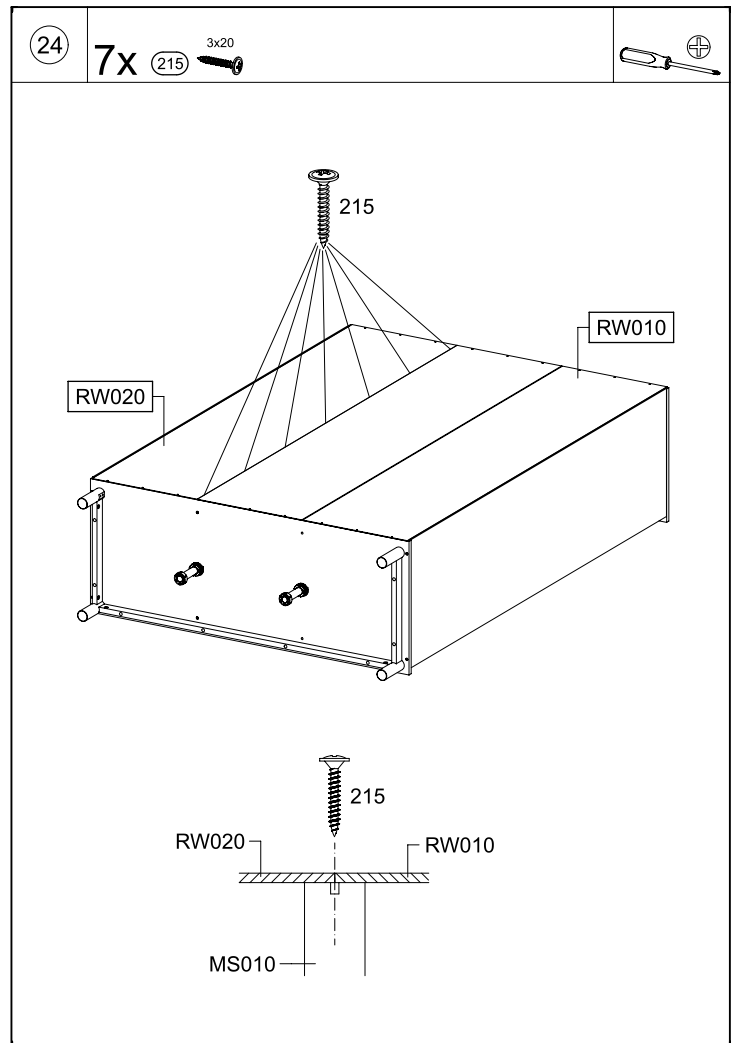
M2729





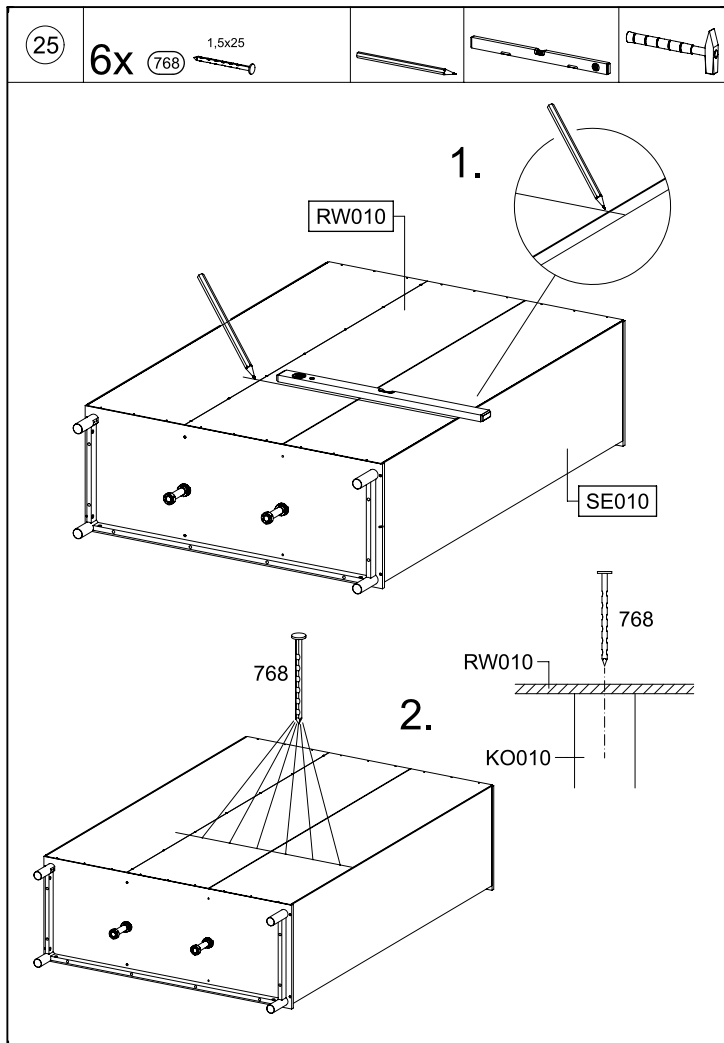
M2729

31.

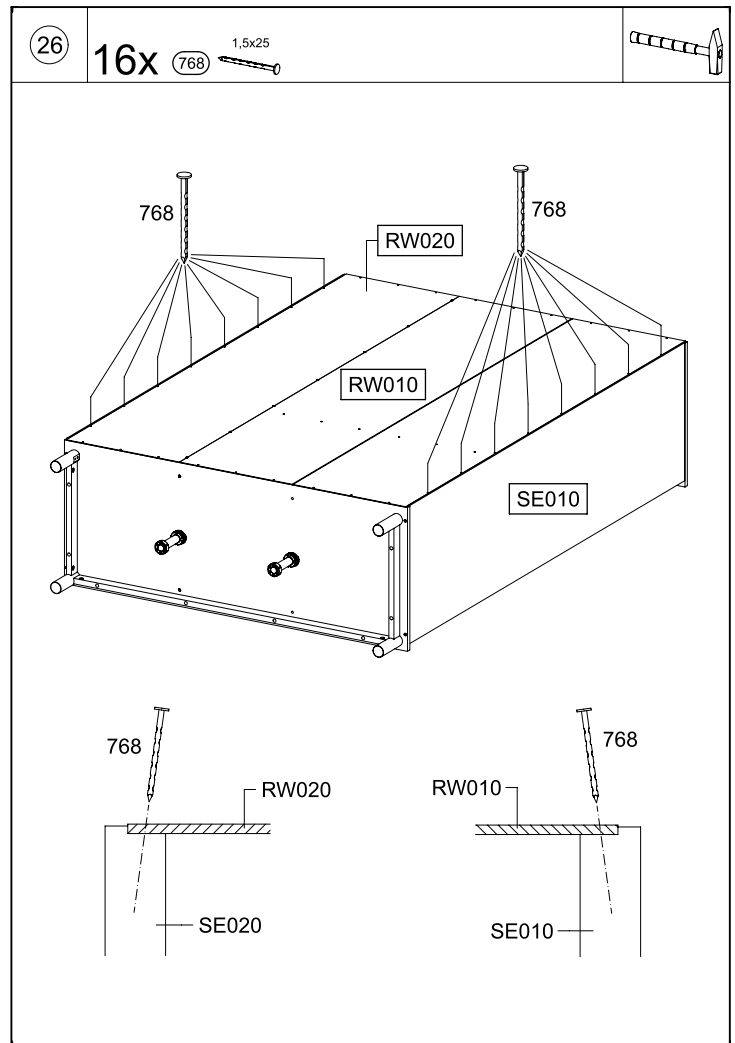


M2729

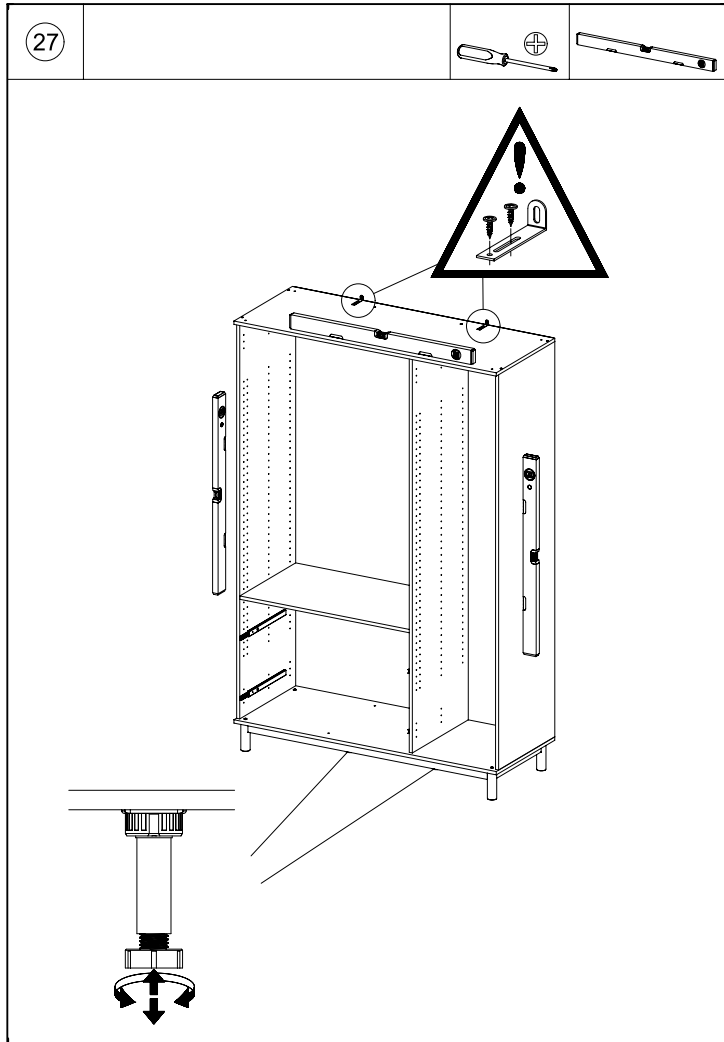
32.



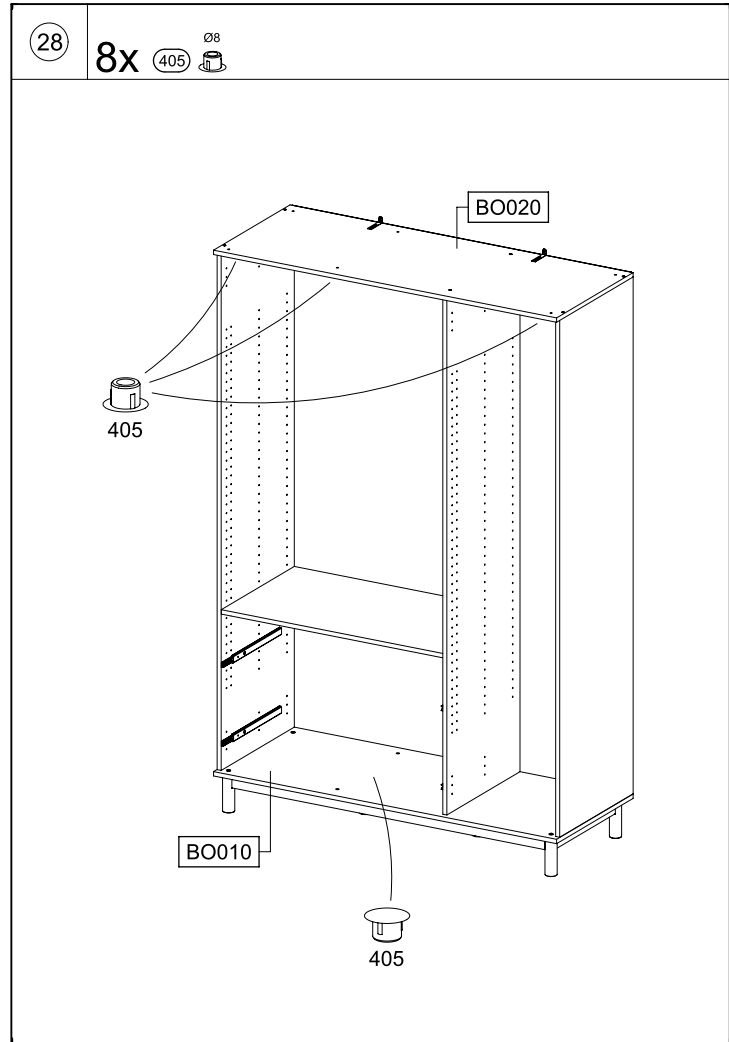
M2729



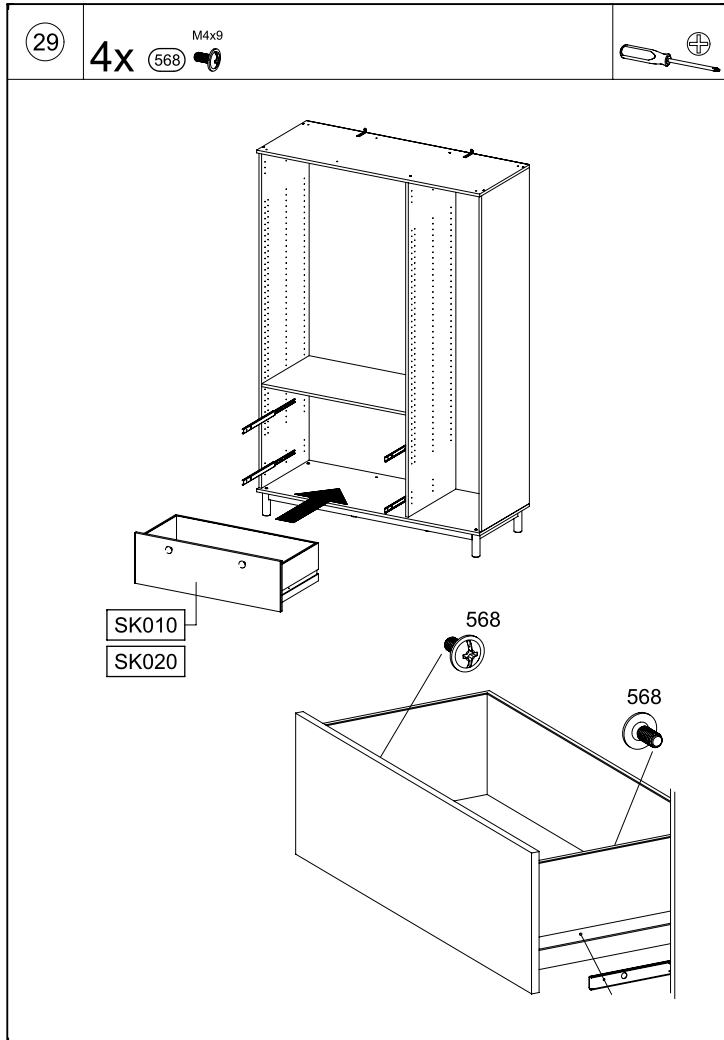
M2729



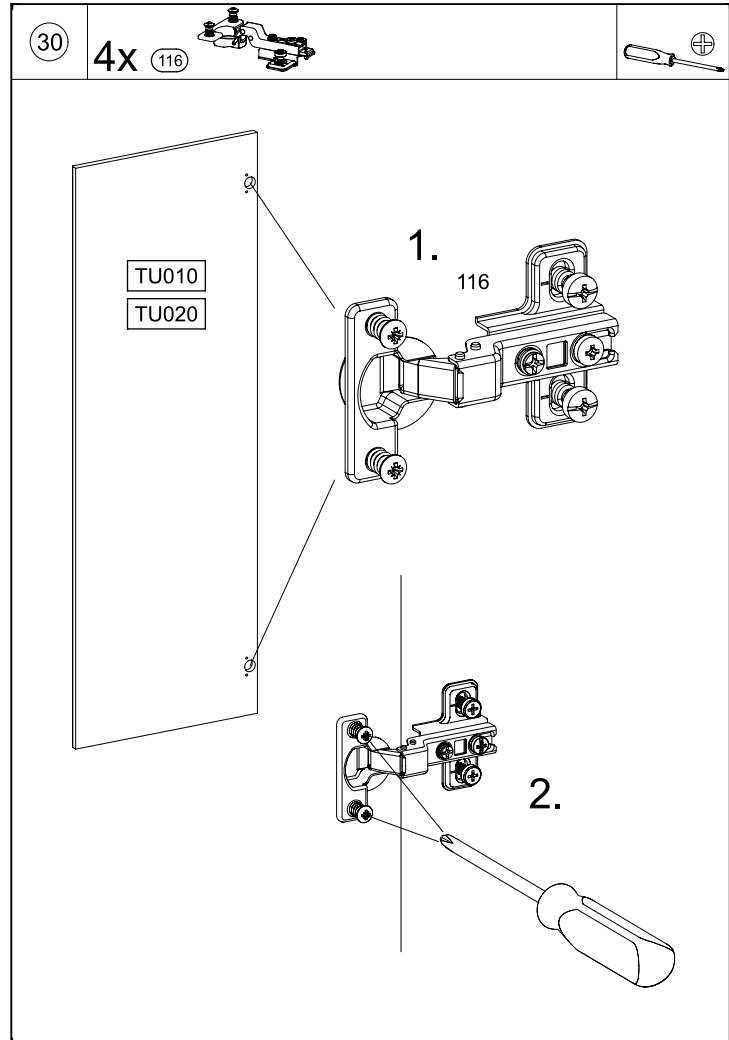
M2729



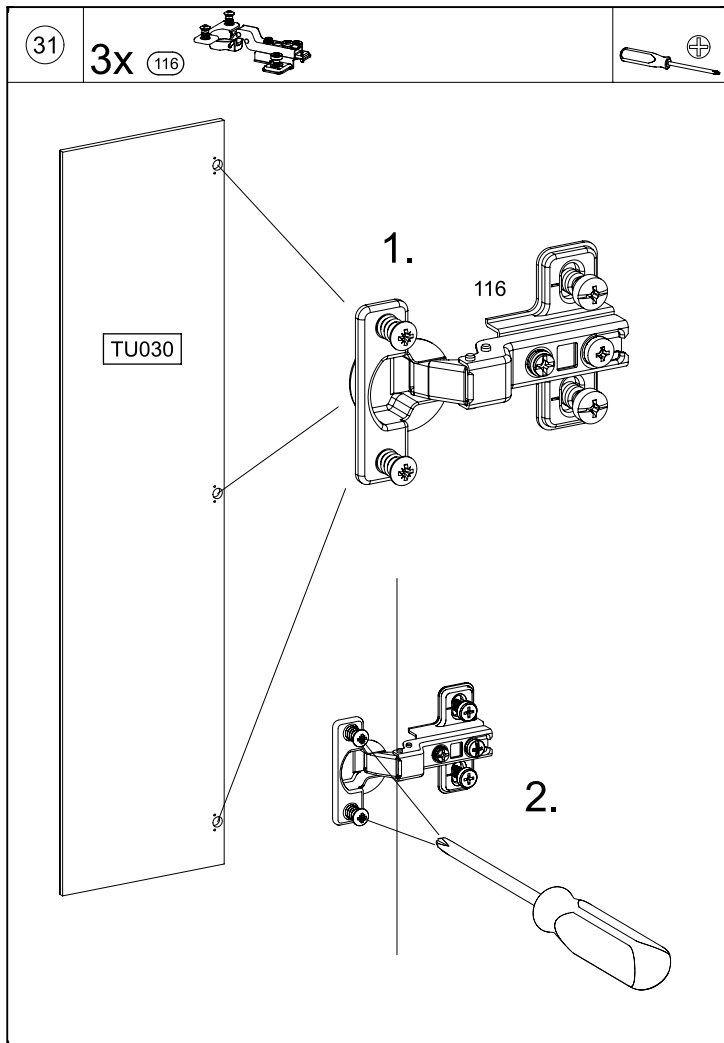
M2729



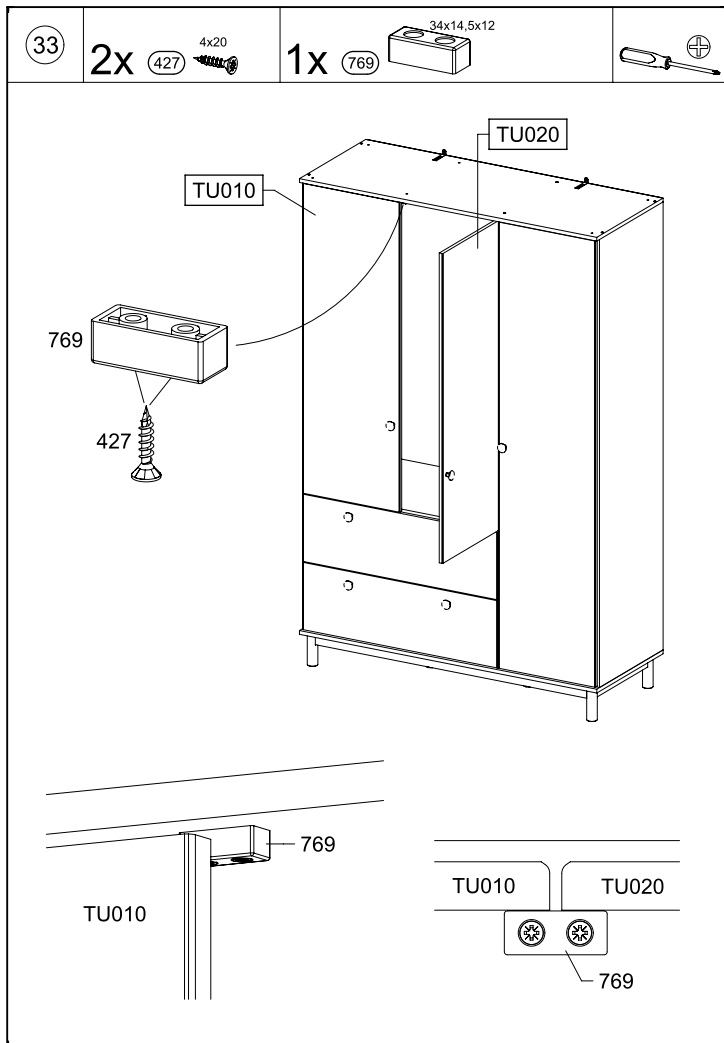
M2729



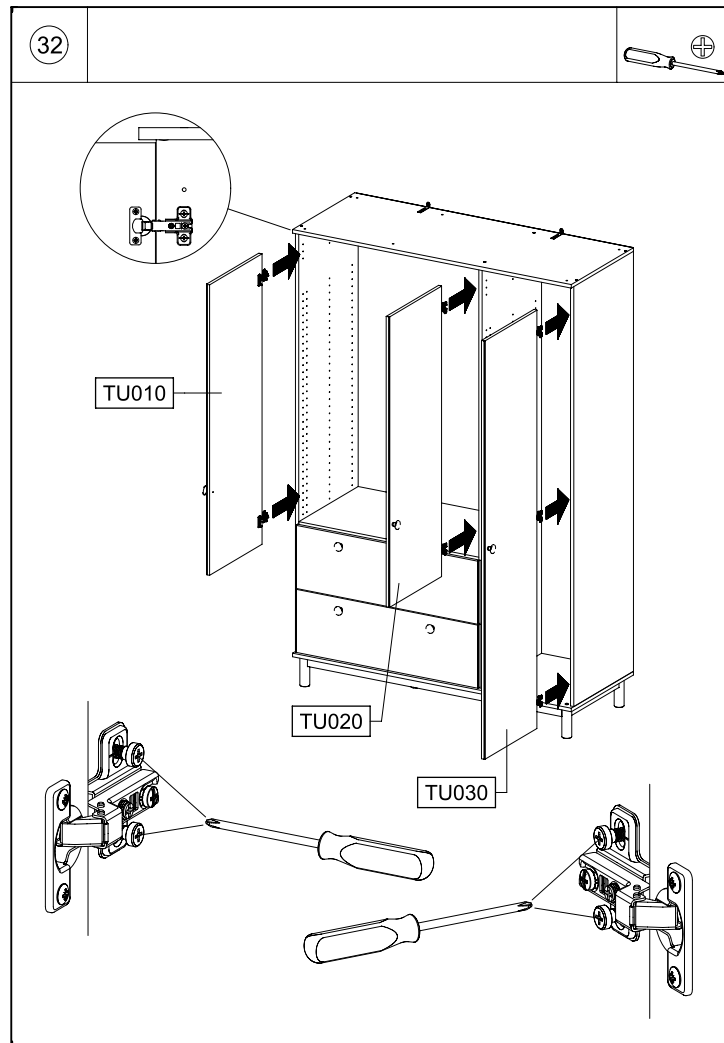
M2729



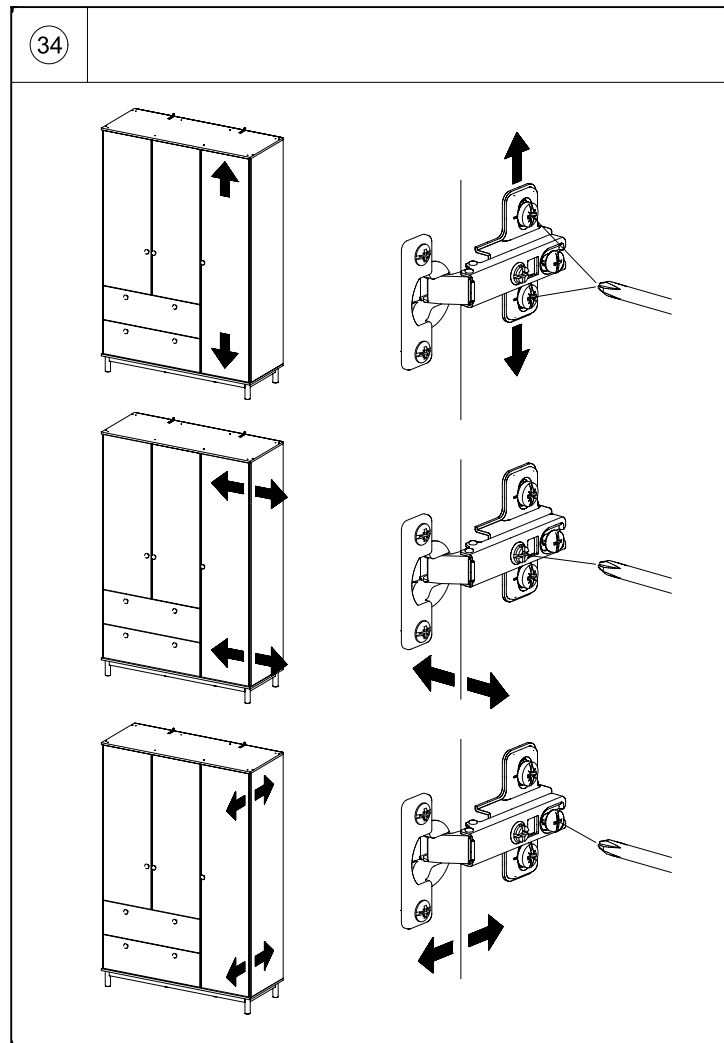
M2729



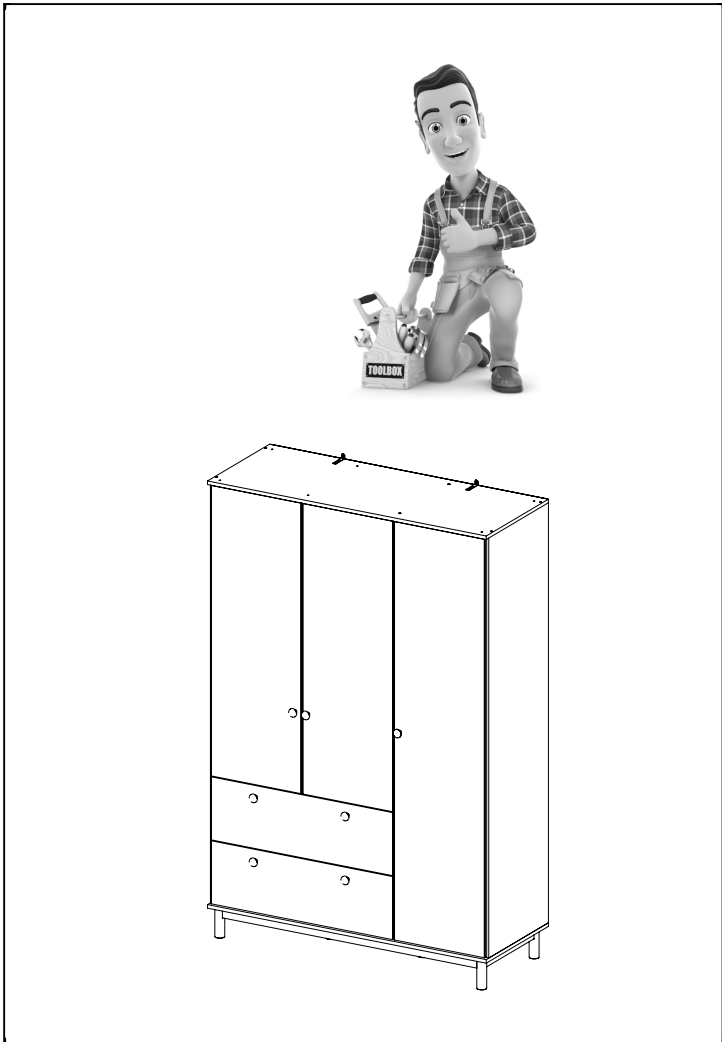
M2729



M2729



M2729



M2729



M2729