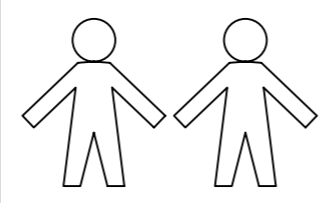
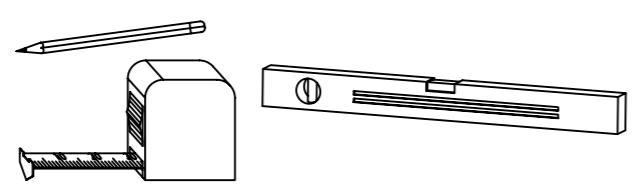
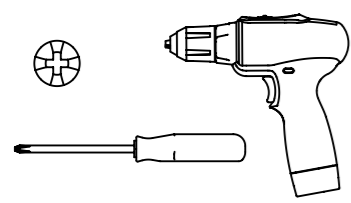


1.

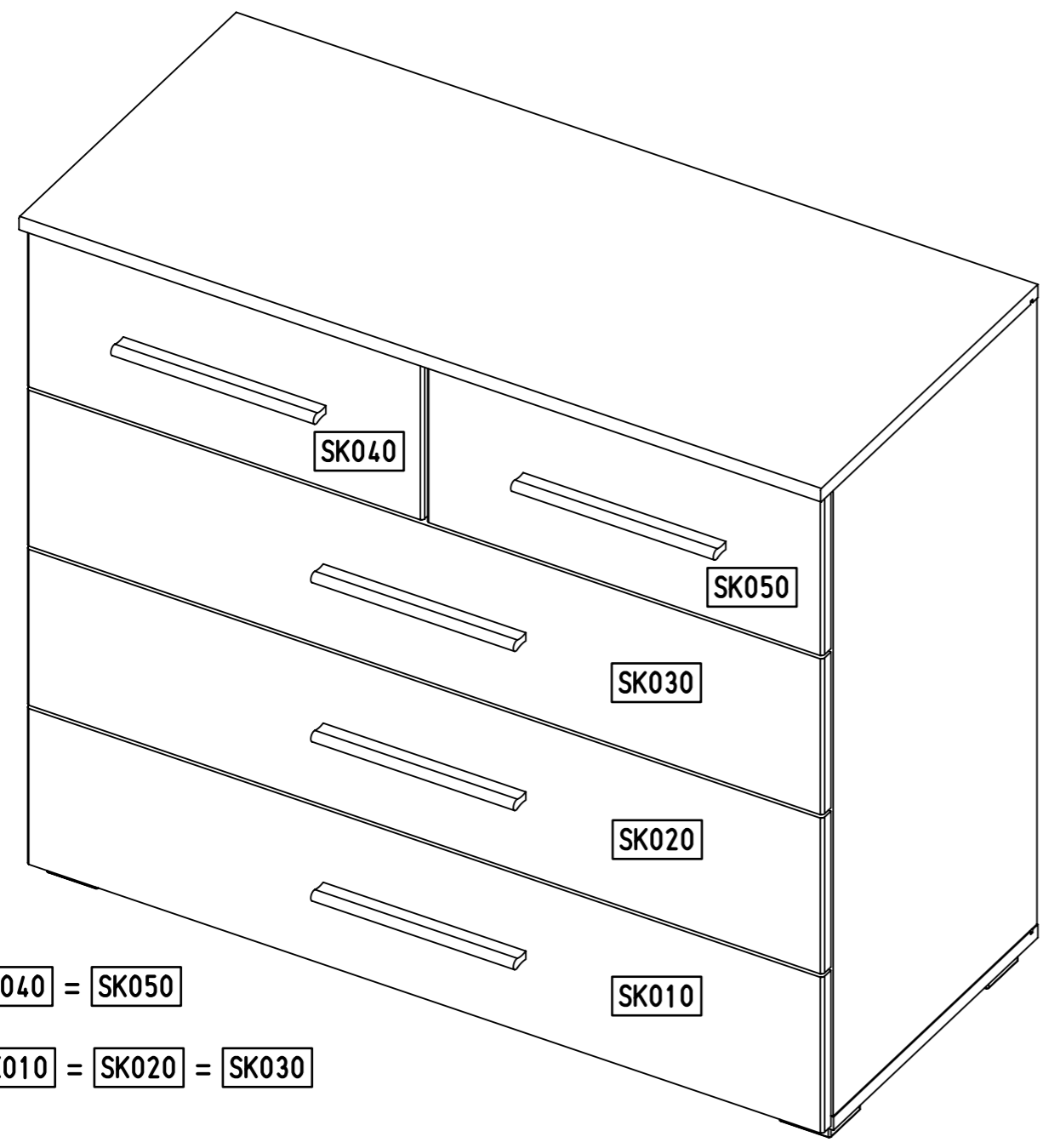
M2109\_03

rauch



ø8mm  
ø6mm

1,5-2h

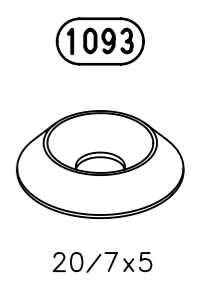
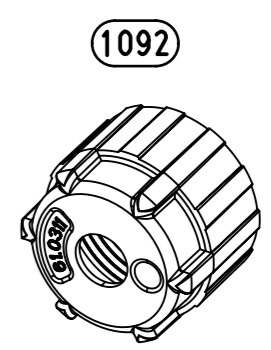
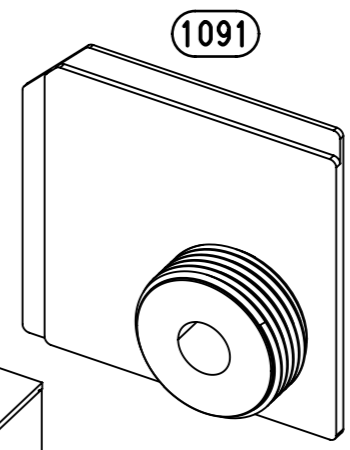


SK040 = SK050

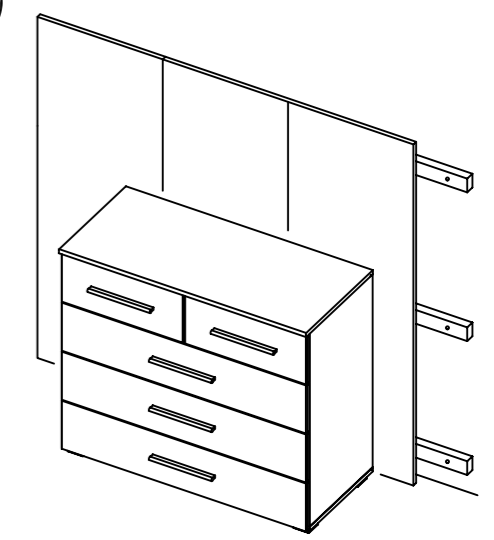
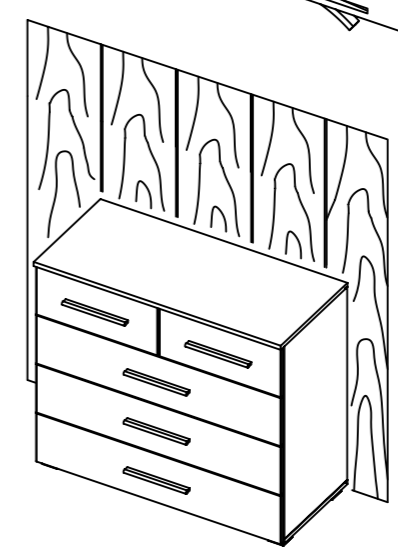
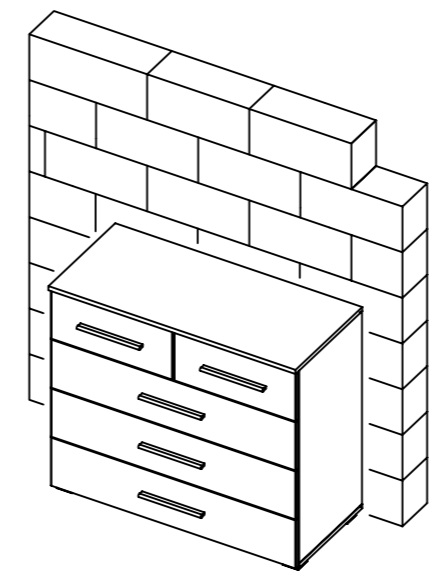
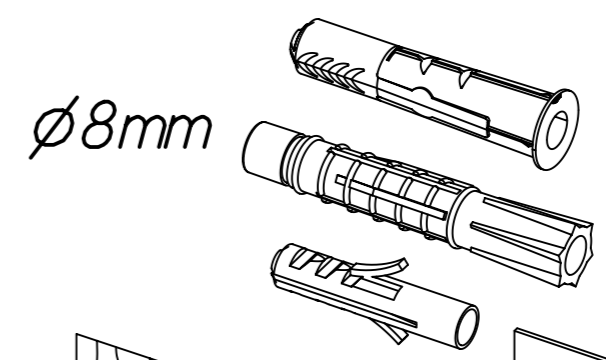
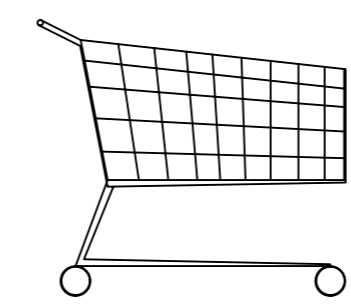
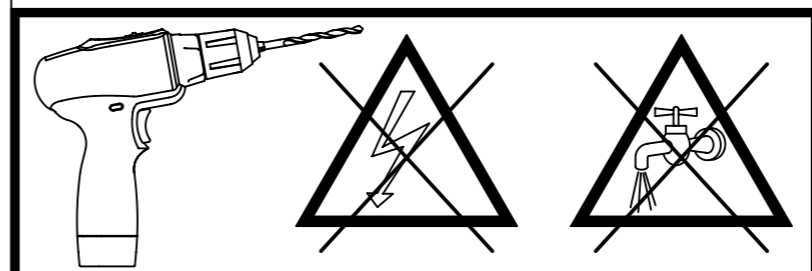
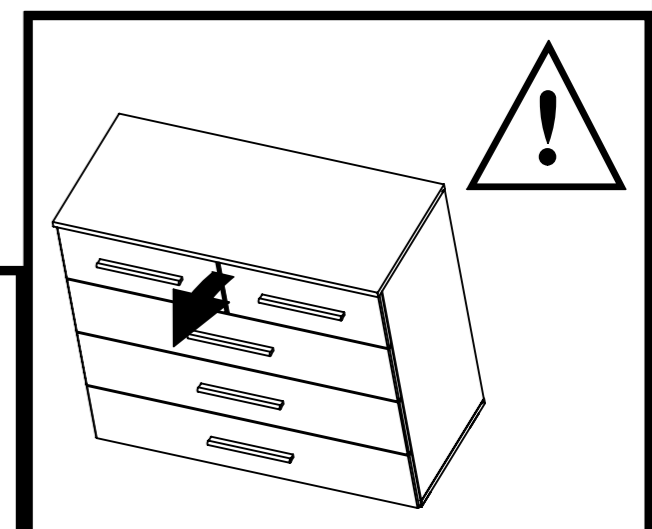
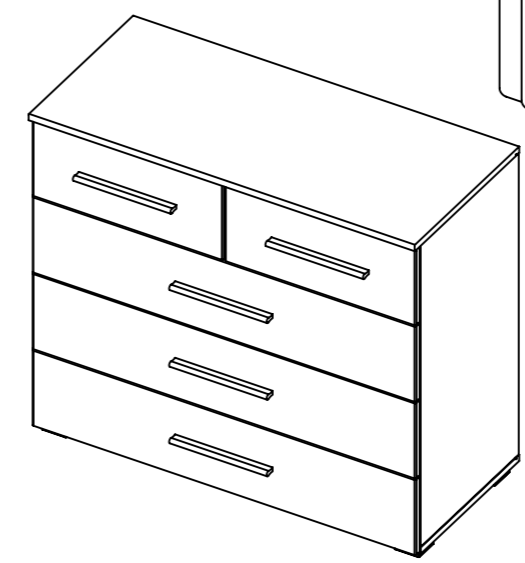
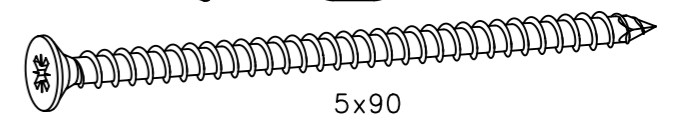
SK010 = SK020 = SK030

2.

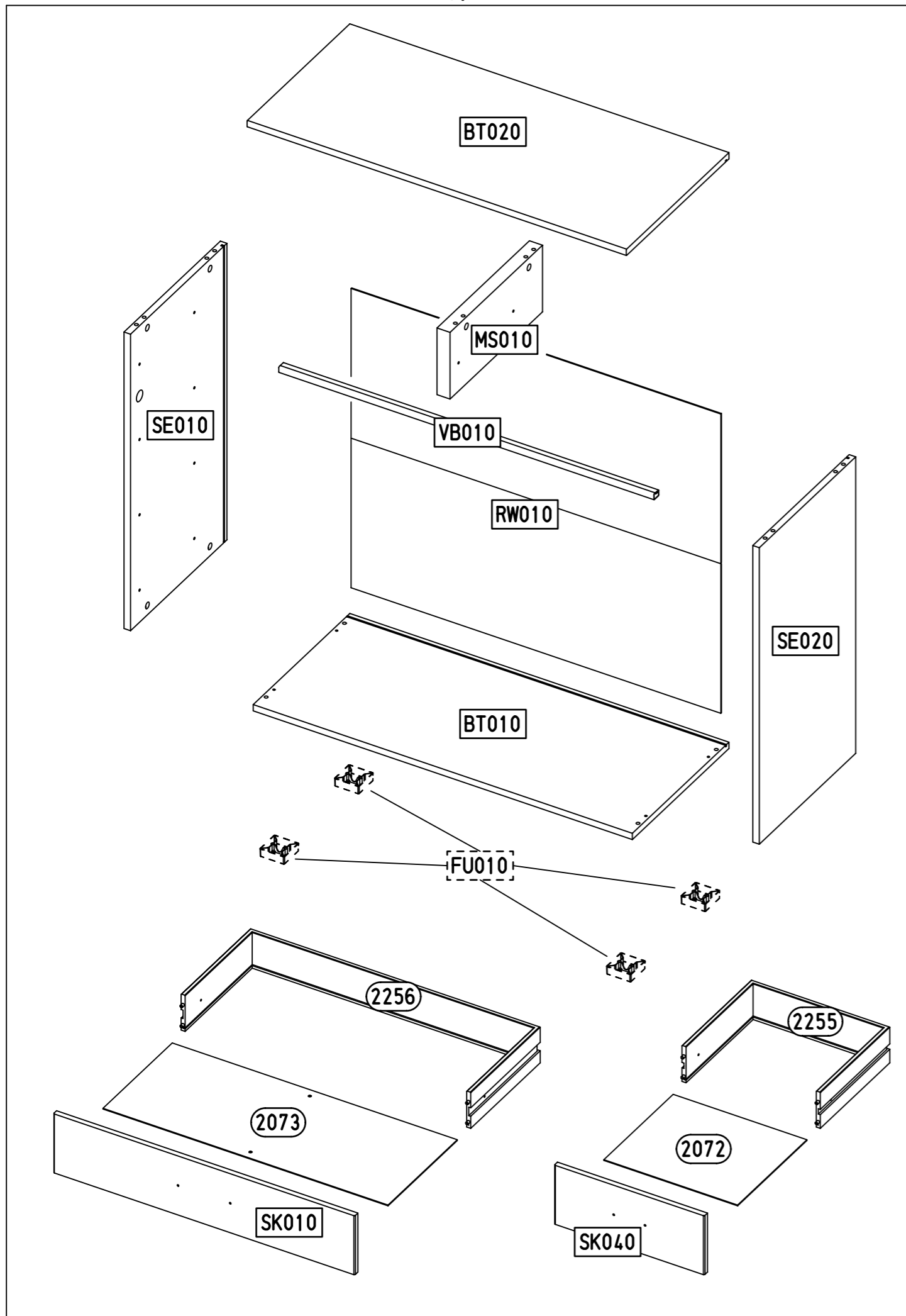
2x



1147

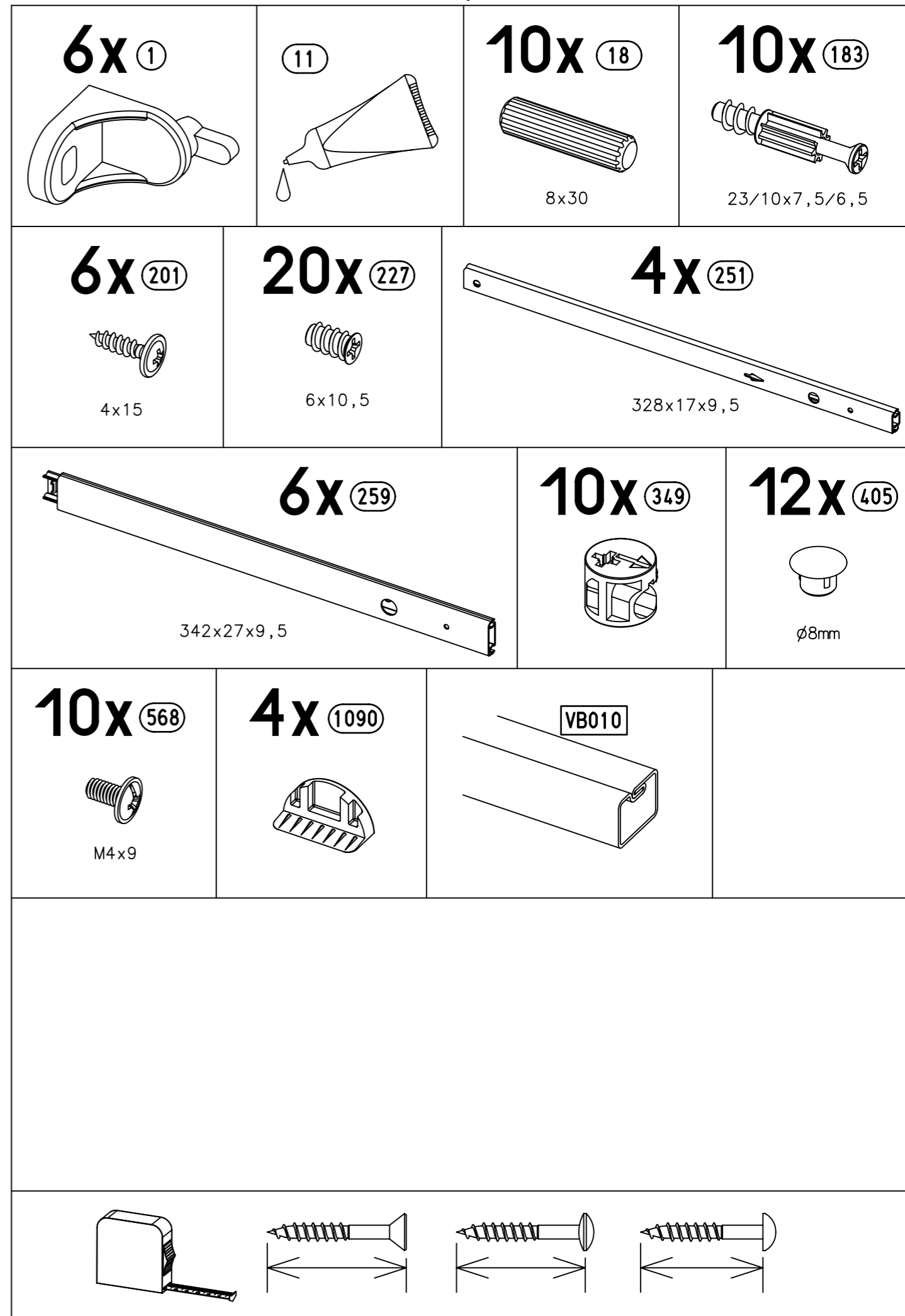


3.



M2109

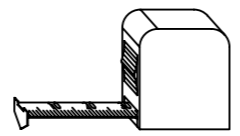
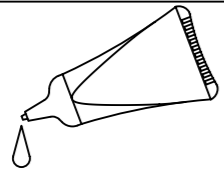
4.



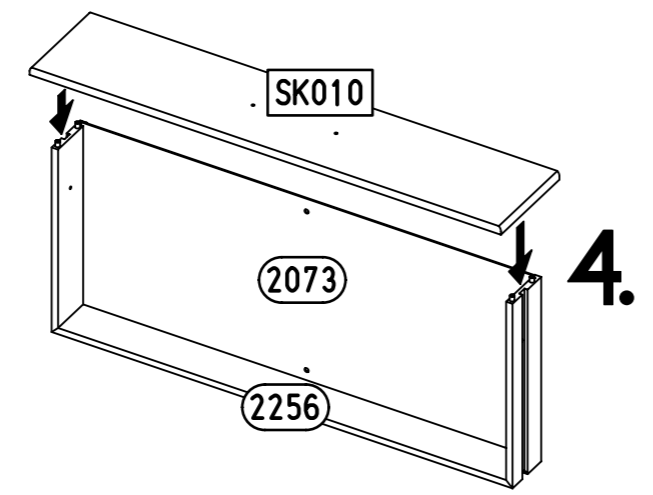
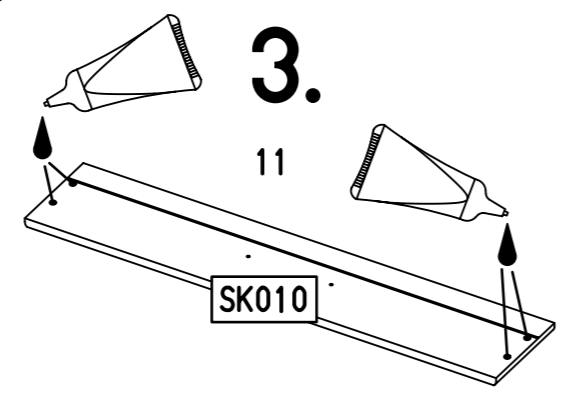
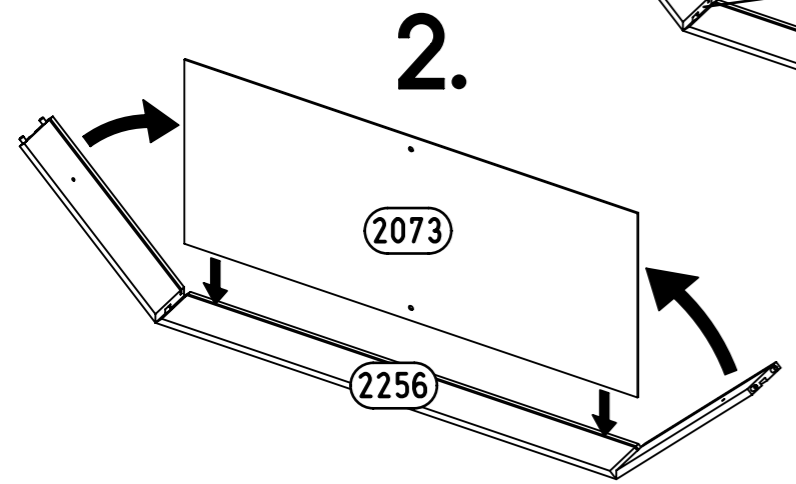
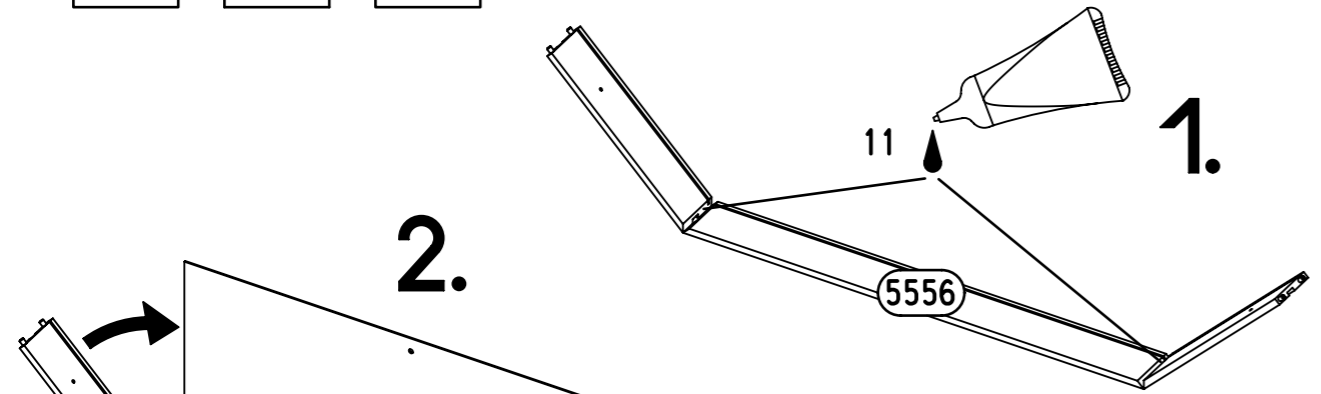
M2109

1

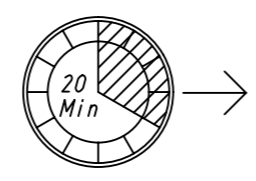
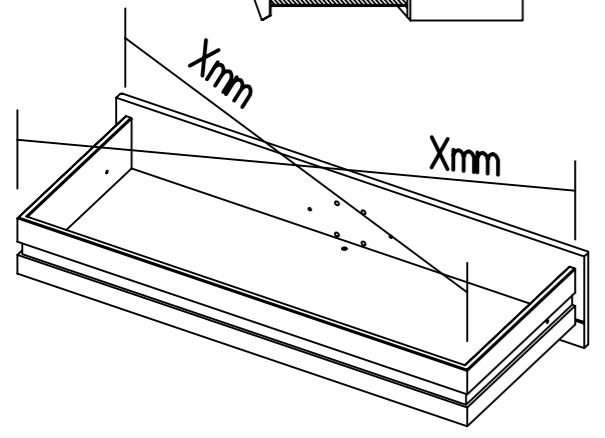
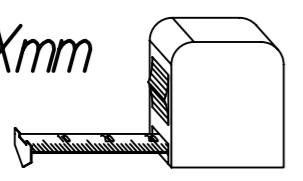
11



SK010 = SK020 = SK030

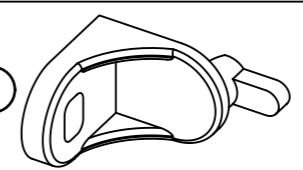


Xmm = Xmm

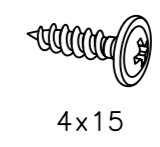


2

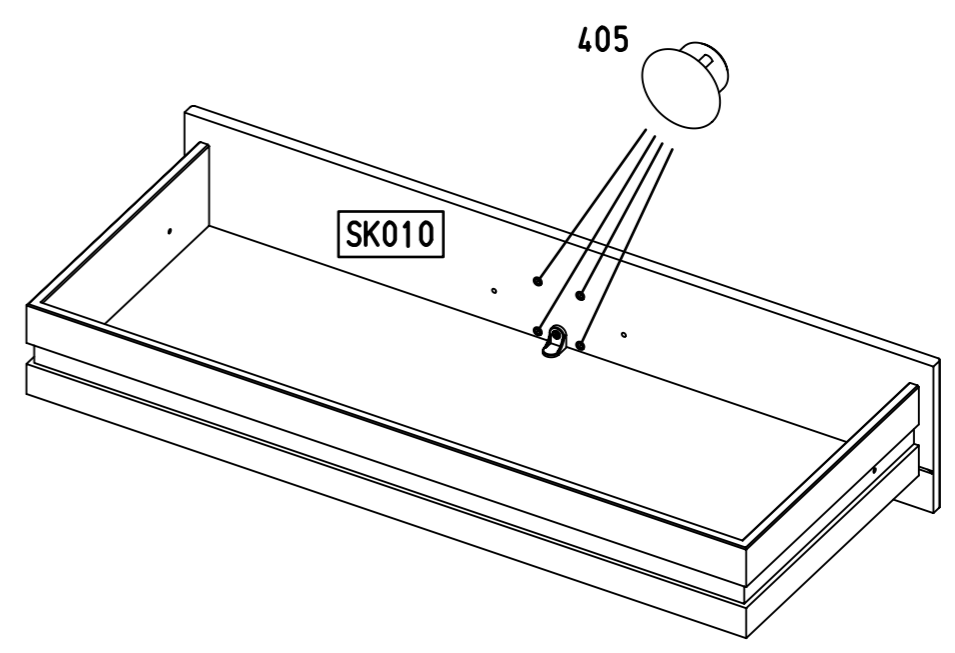
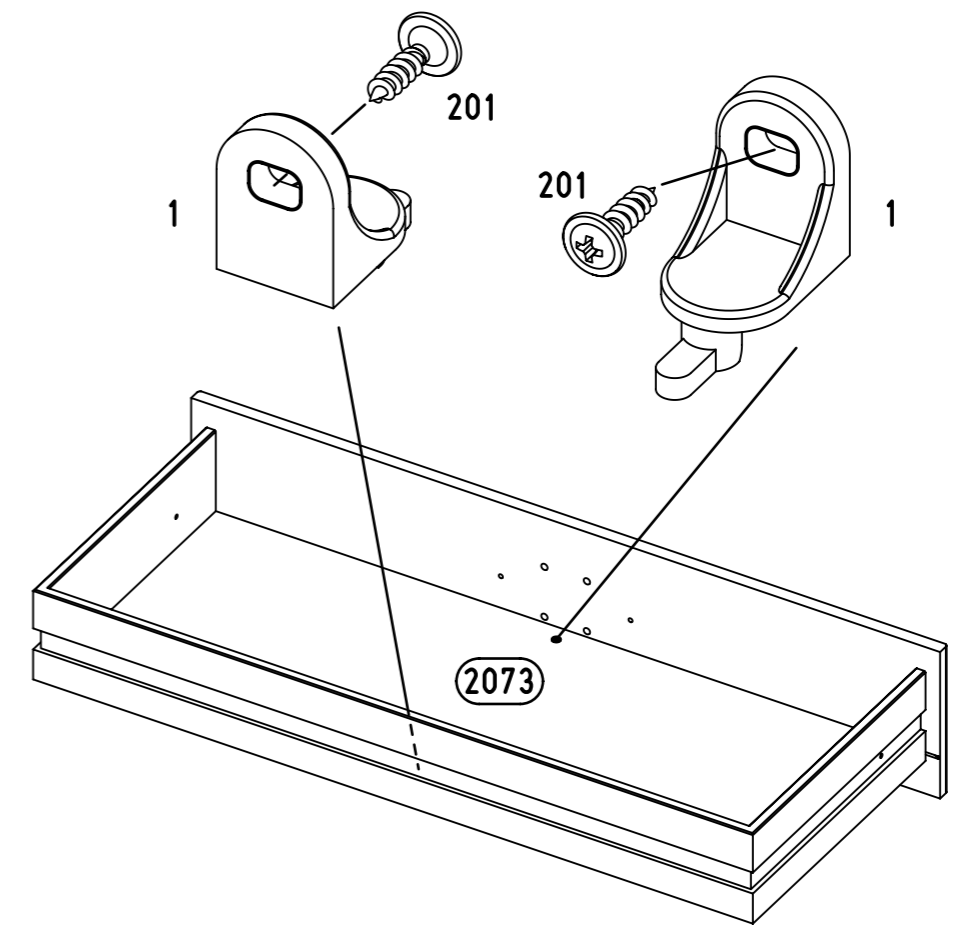
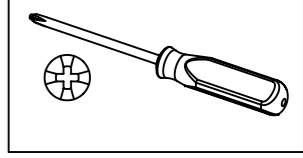
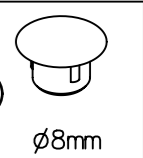
6x 1



6x 201

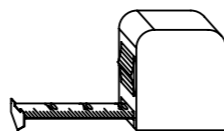
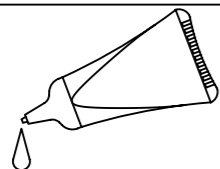


12x 405

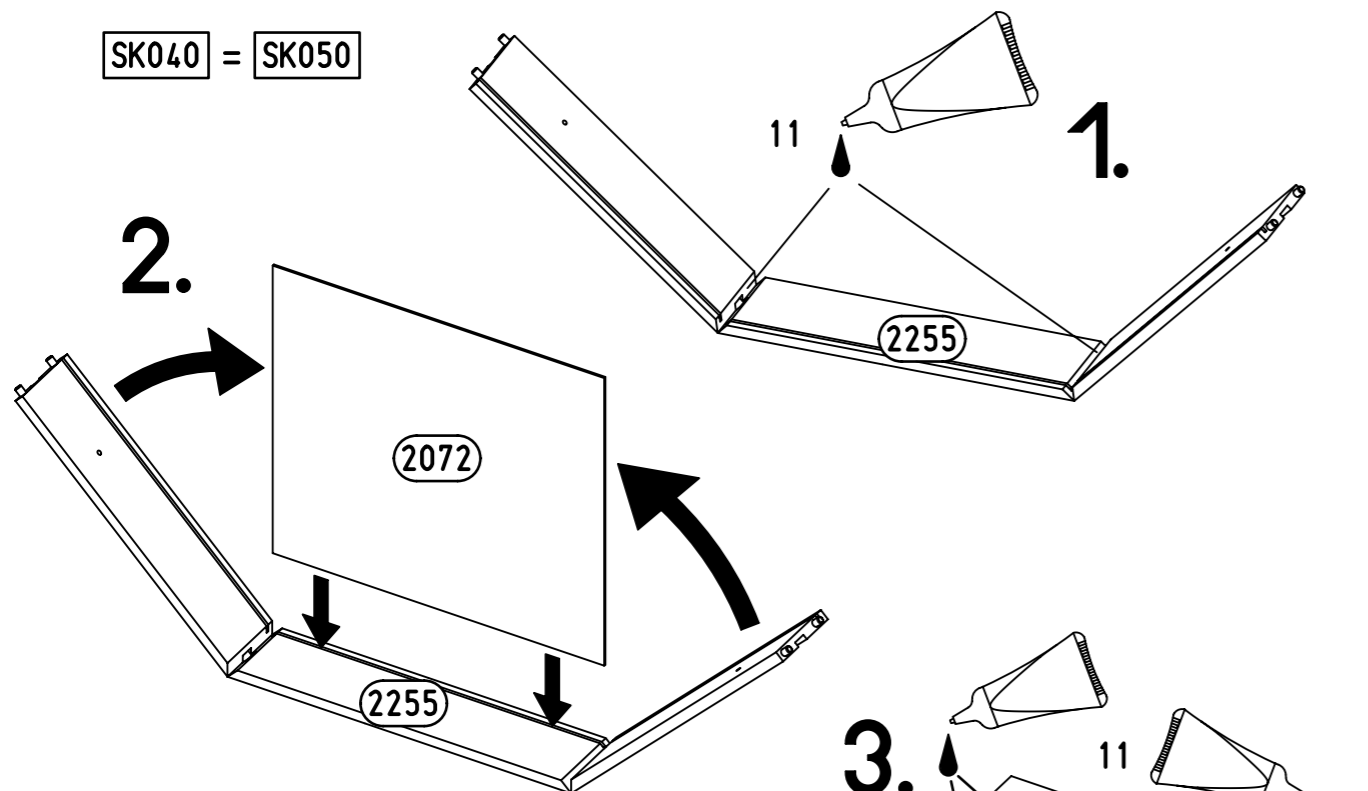


3

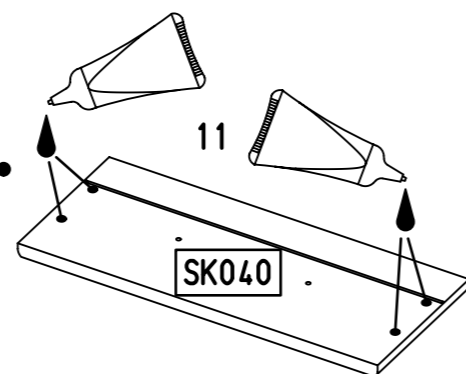
11



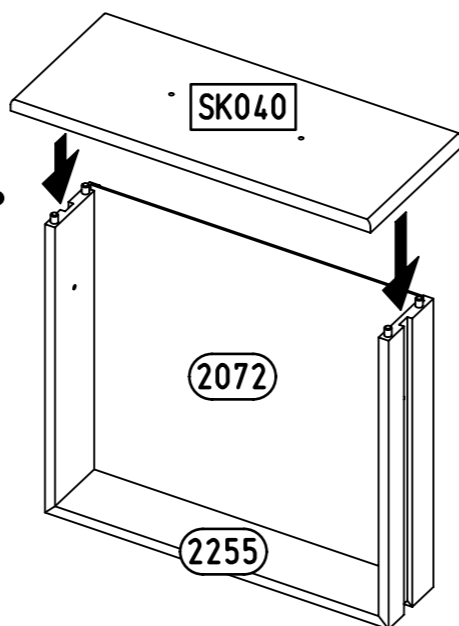
SK040 = SK050



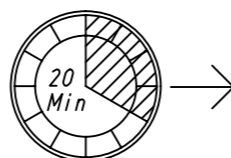
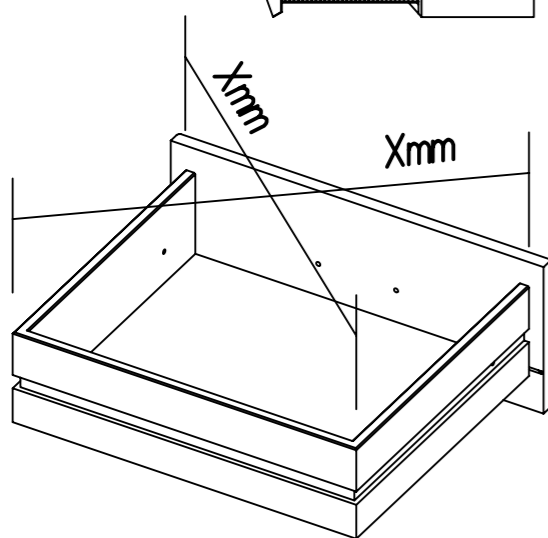
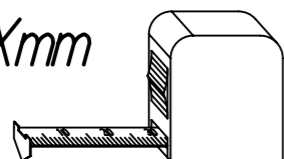
3.



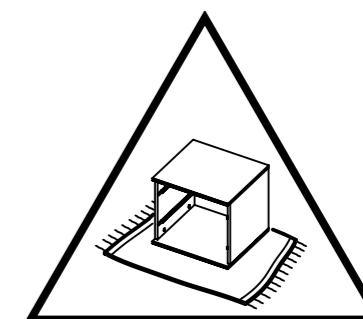
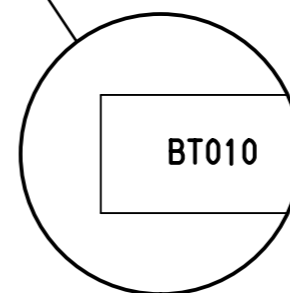
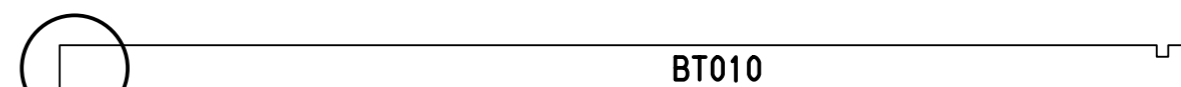
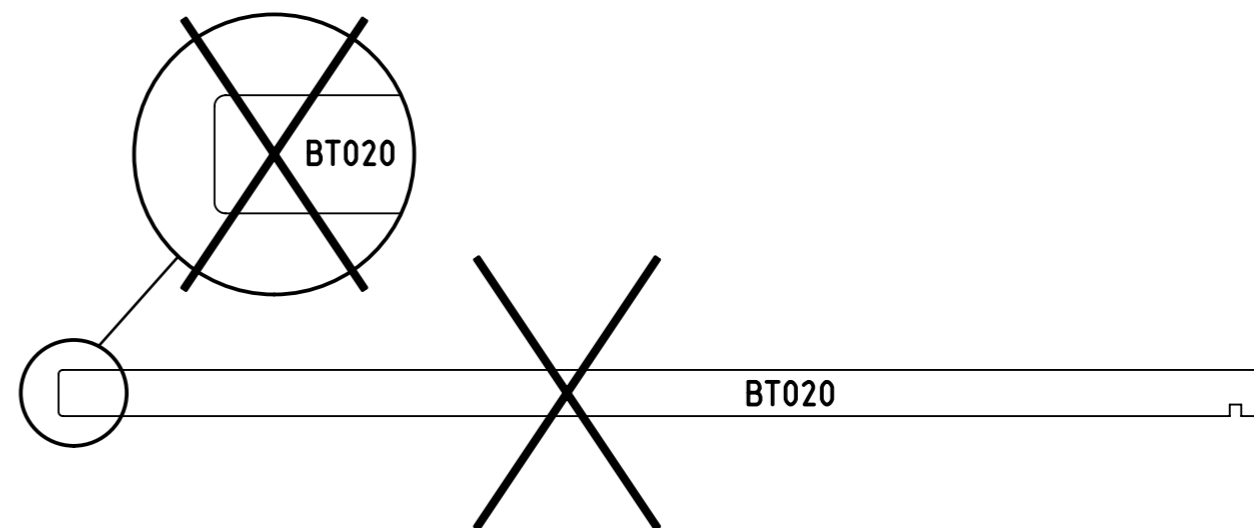
4.



Xmm = Xmm

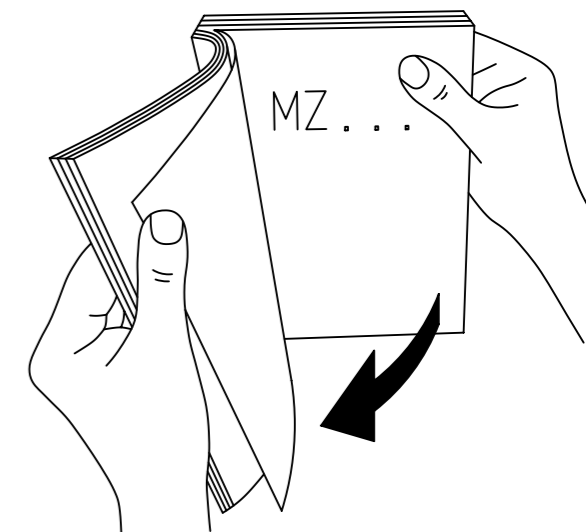
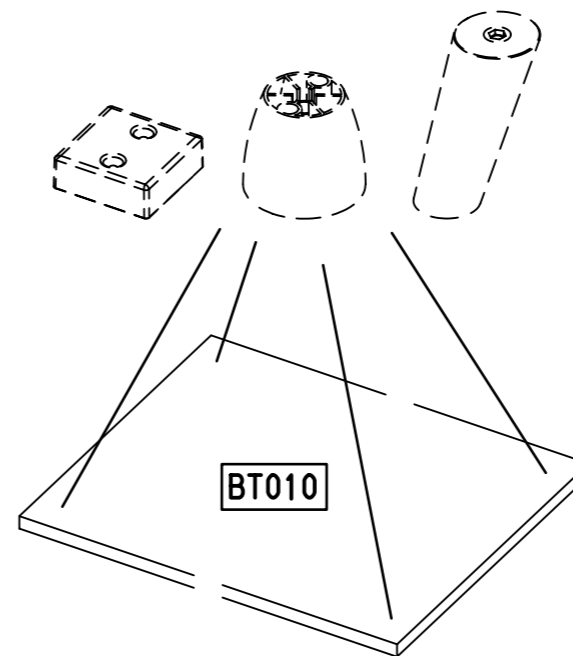


4



?

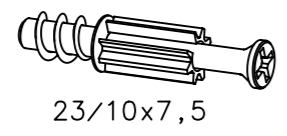
FU010



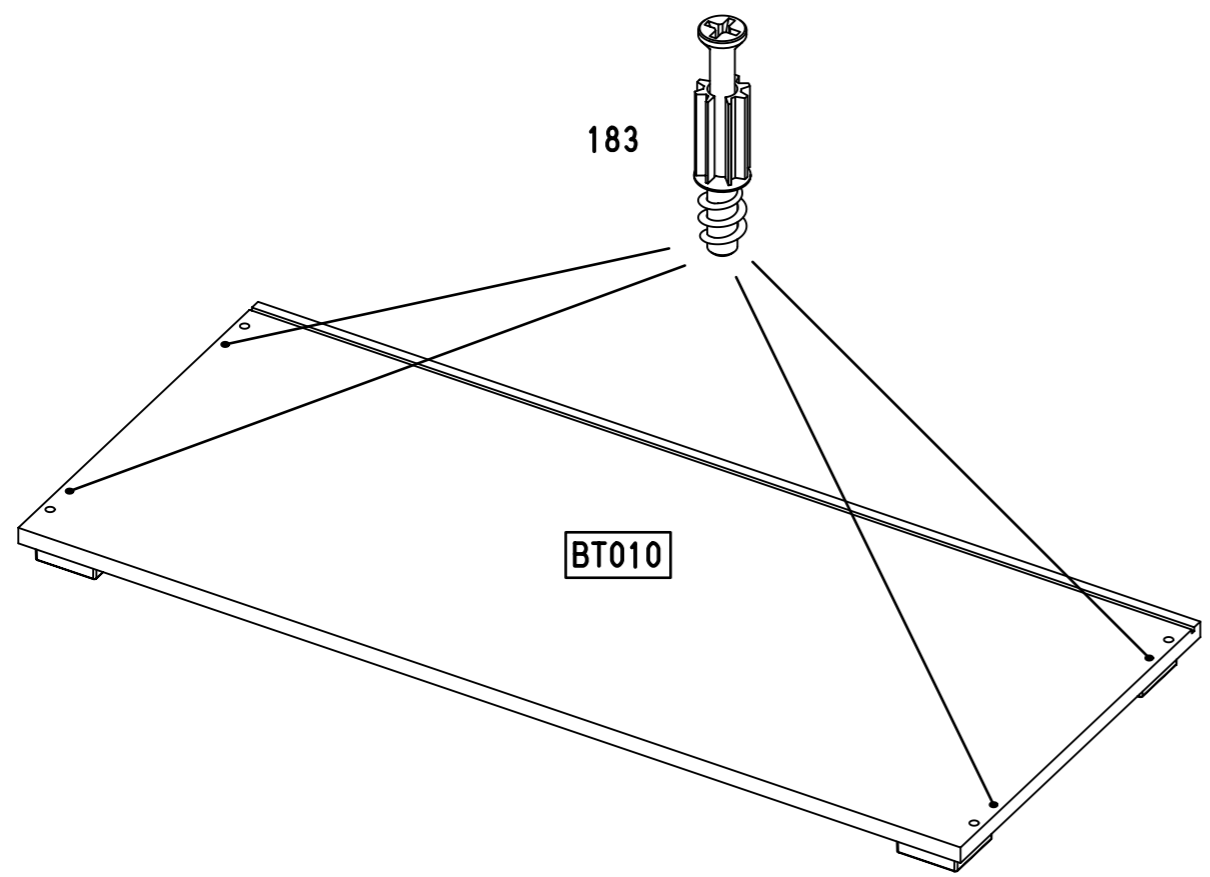
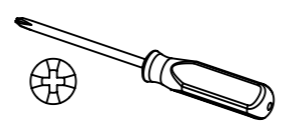
9.

5

4x 183



23/10x7,5

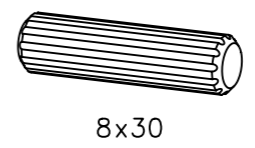


BT010

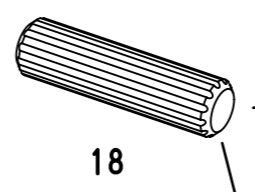
10.

6

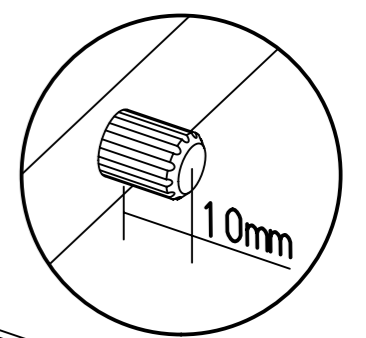
8x 18



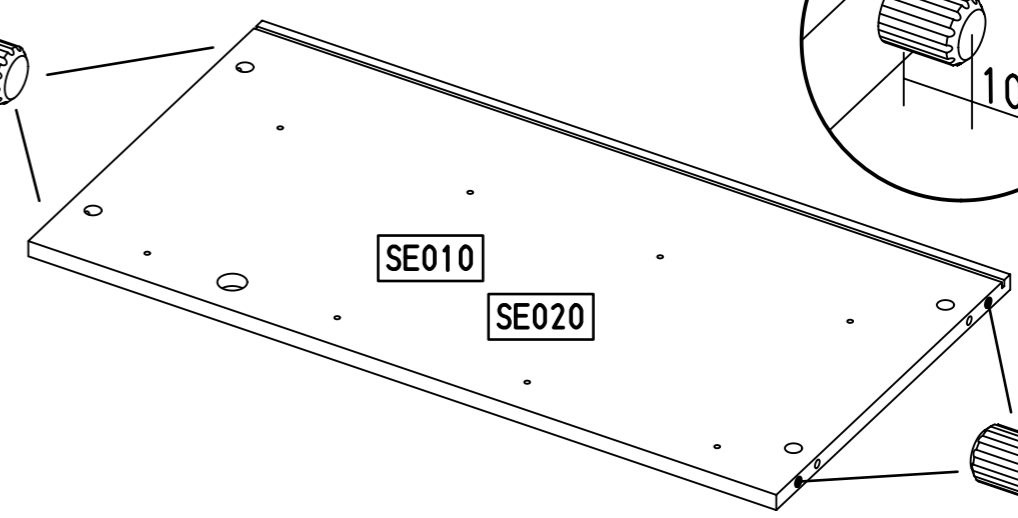
8x30



18



10mm



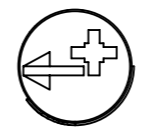
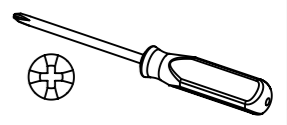
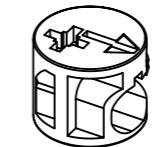
SE010

SE020

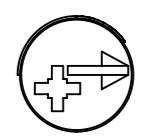
18

7

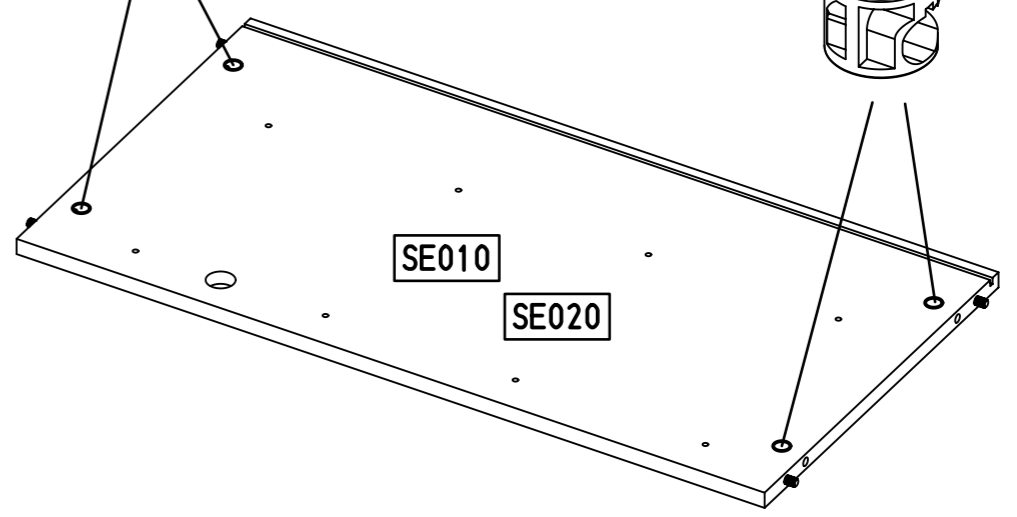
8x 349



349



349



SE010

SE020

11.

8

1x 251

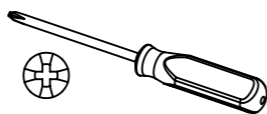


328x17x9,5

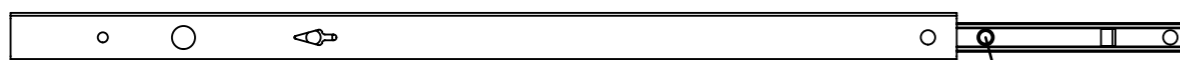
2x 227



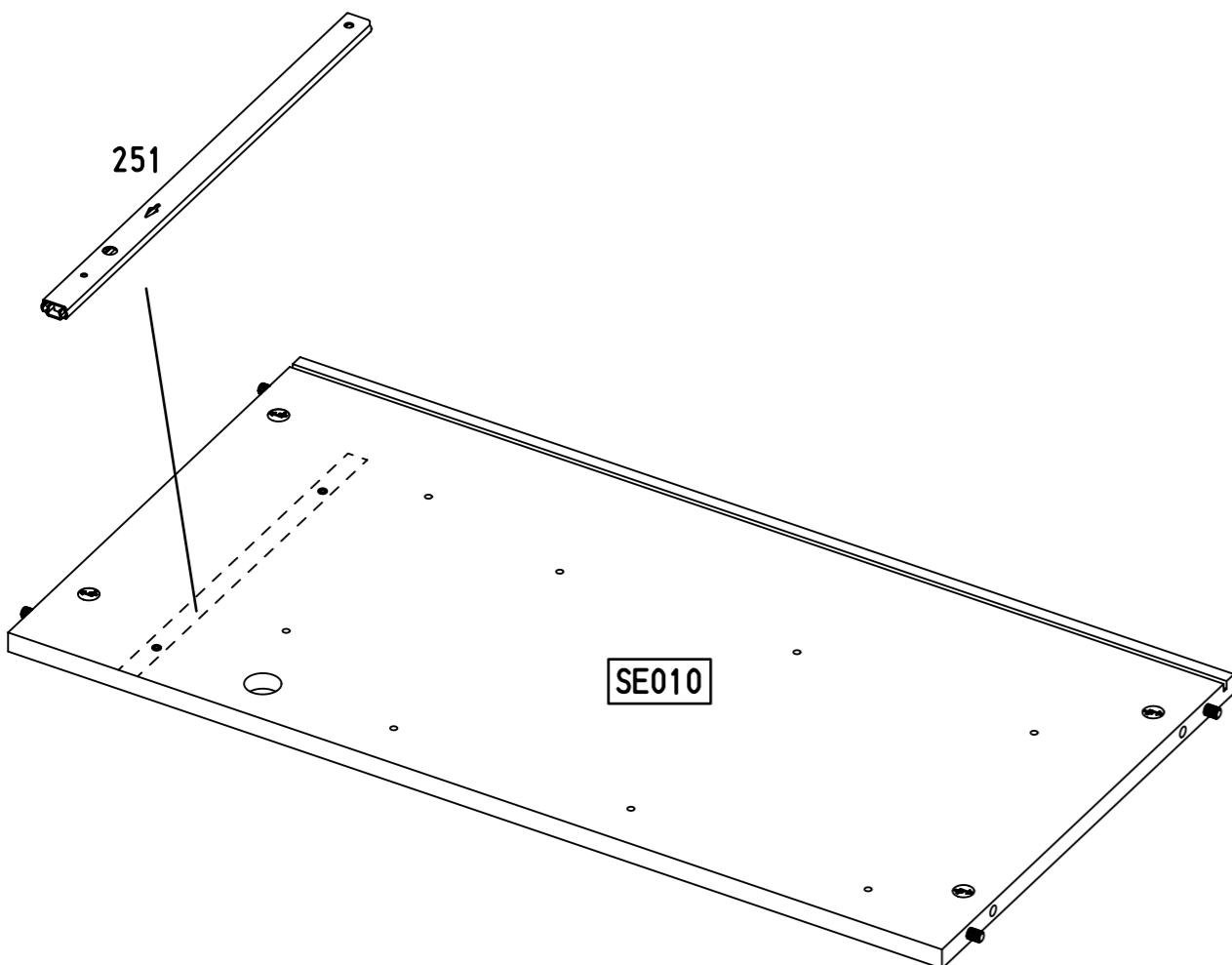
6x10,5



1.



2.



12.

9

3x 259

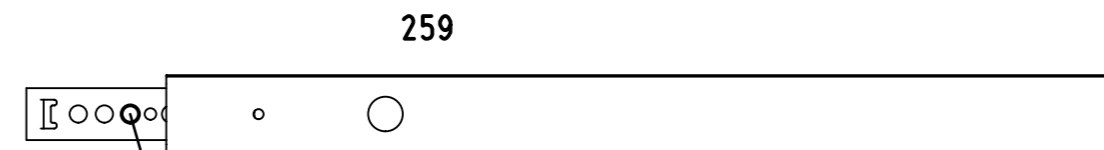
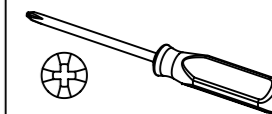


342x27x9,5

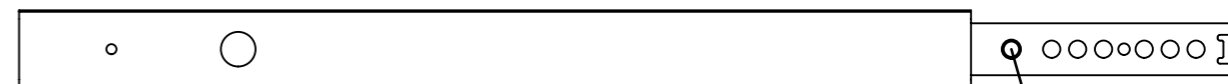
6x 227



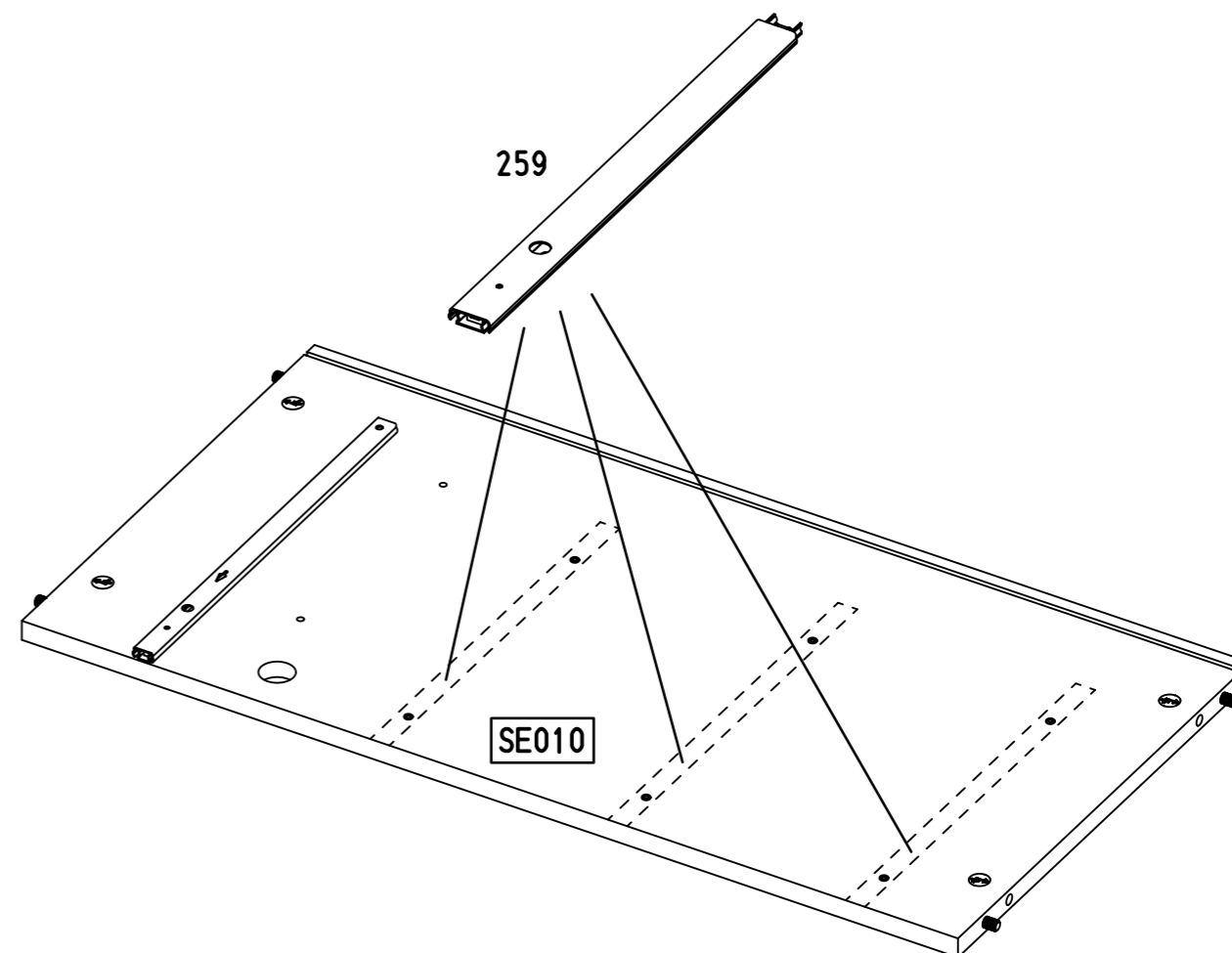
6x10,5



1.



2.



13.

10

1x 251

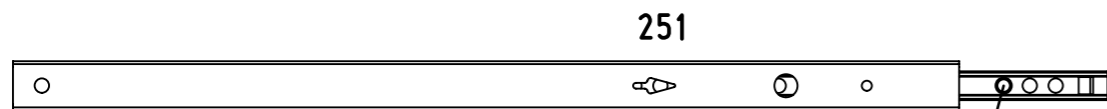
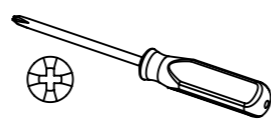


328x17x9,5

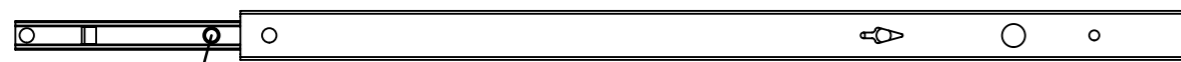
2x 227



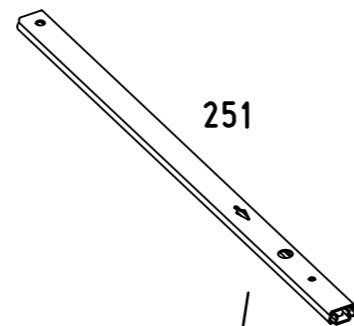
6x10,5



227 1.



2. 227



251

SE020

14.

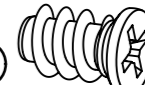
11

3x 259

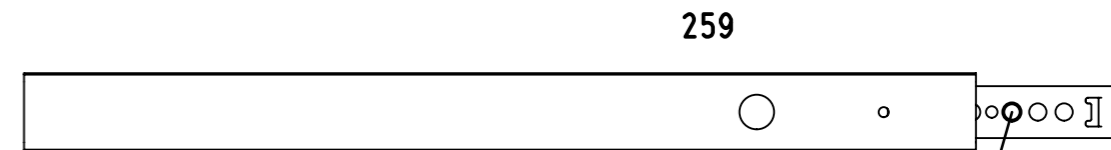
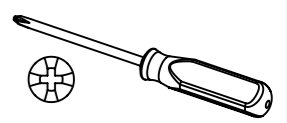


342x27x9,5

6x 227



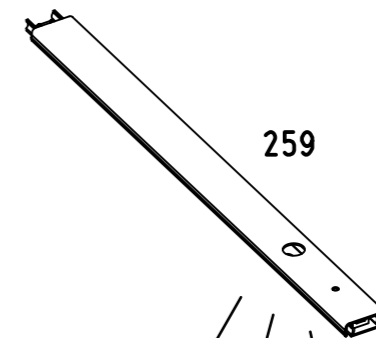
6x10,5



227 1.



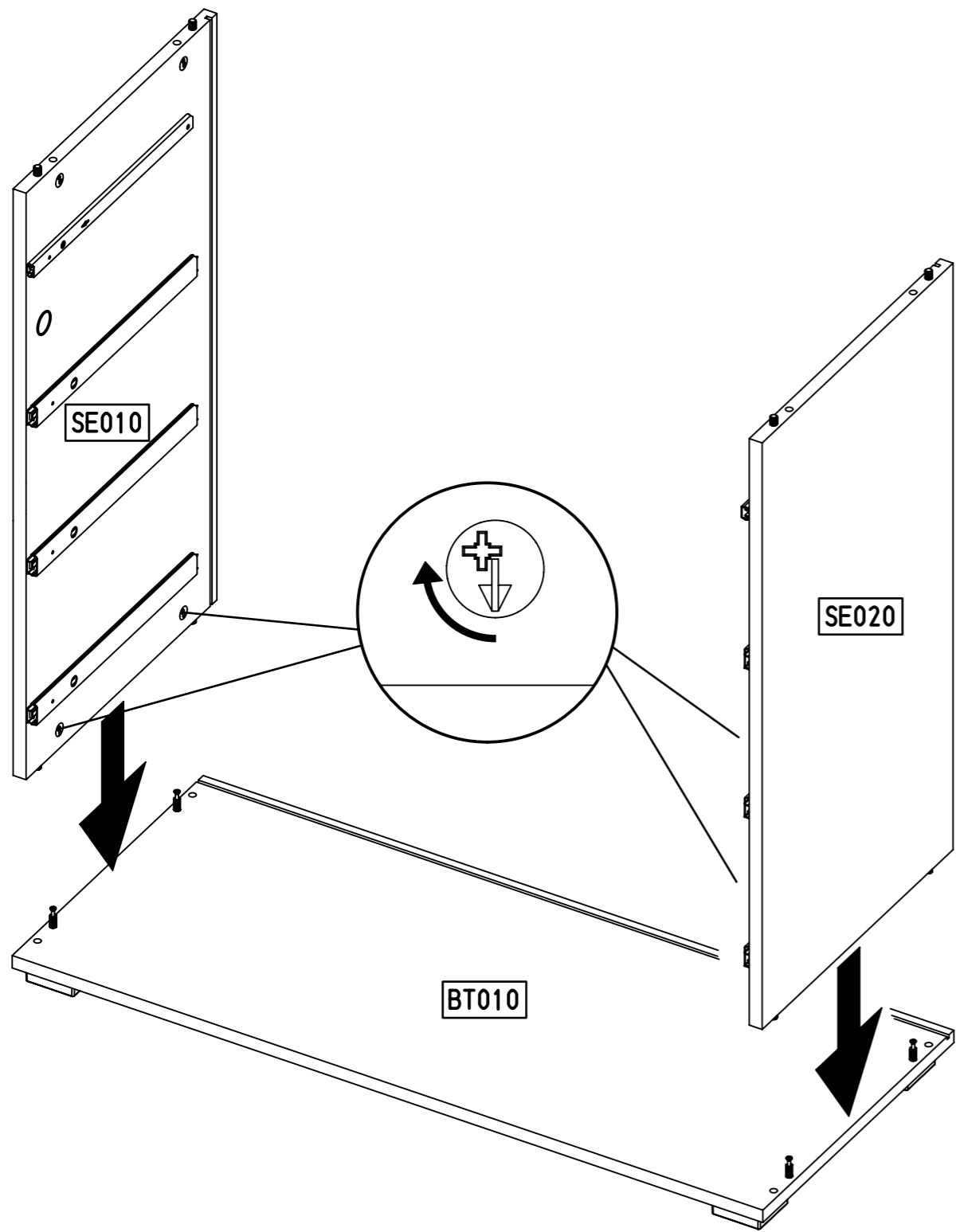
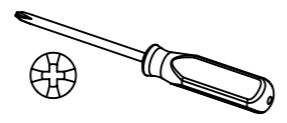
2. 227



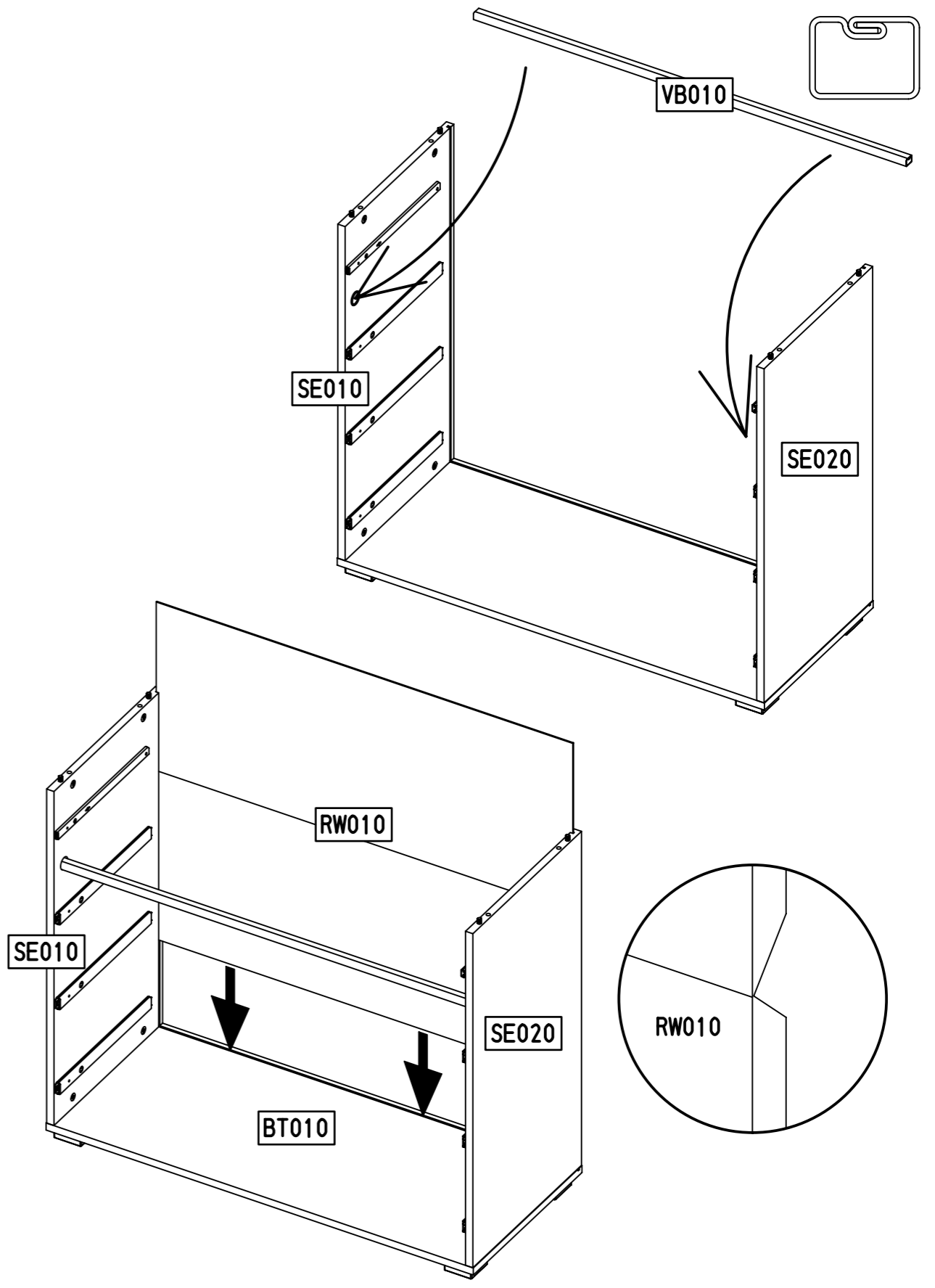
259

SE020

12



13

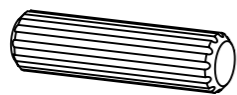




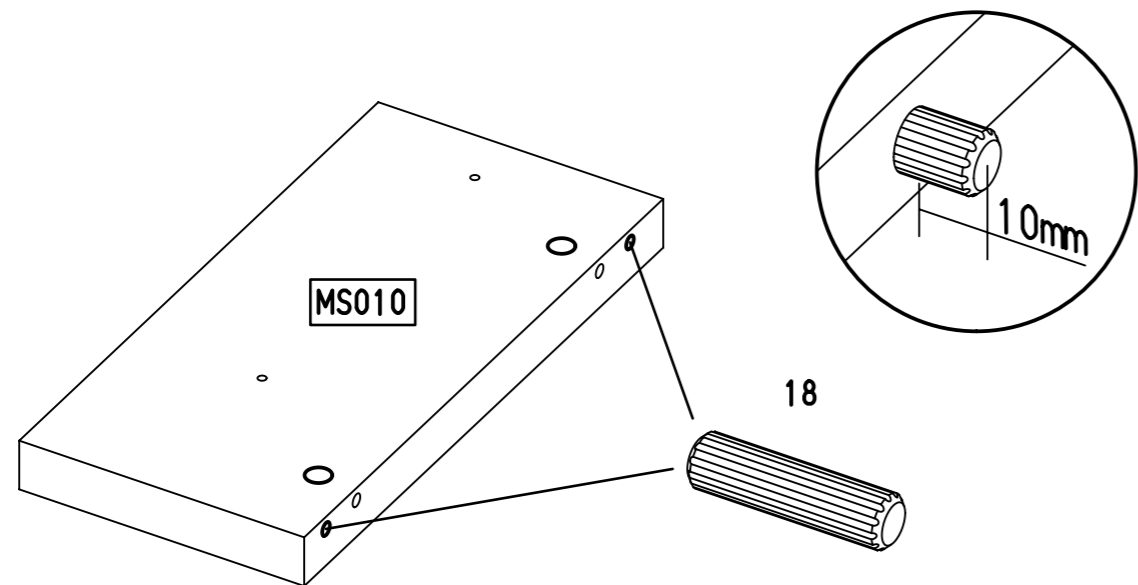
17.

14

2x 18

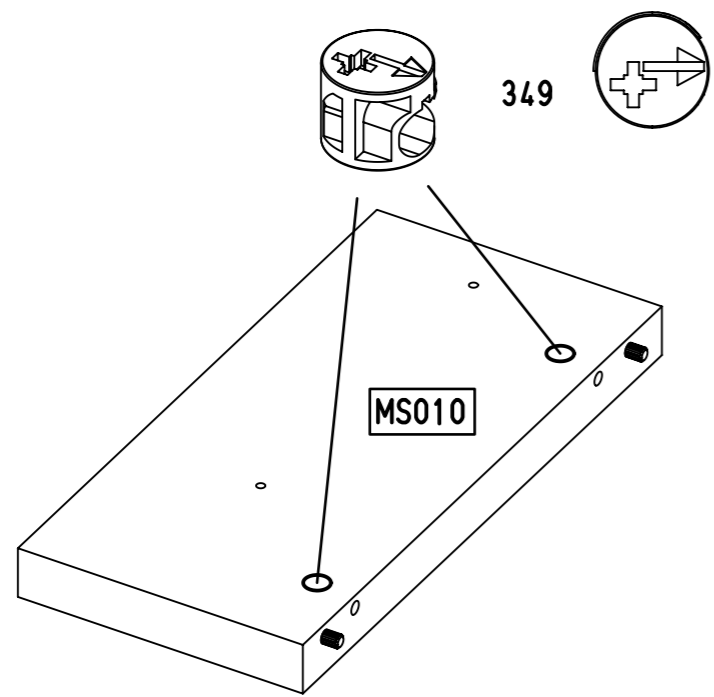
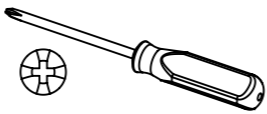
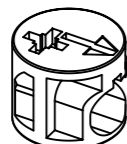


8x30



15

2x 349



M2109

18.

16

2x 251

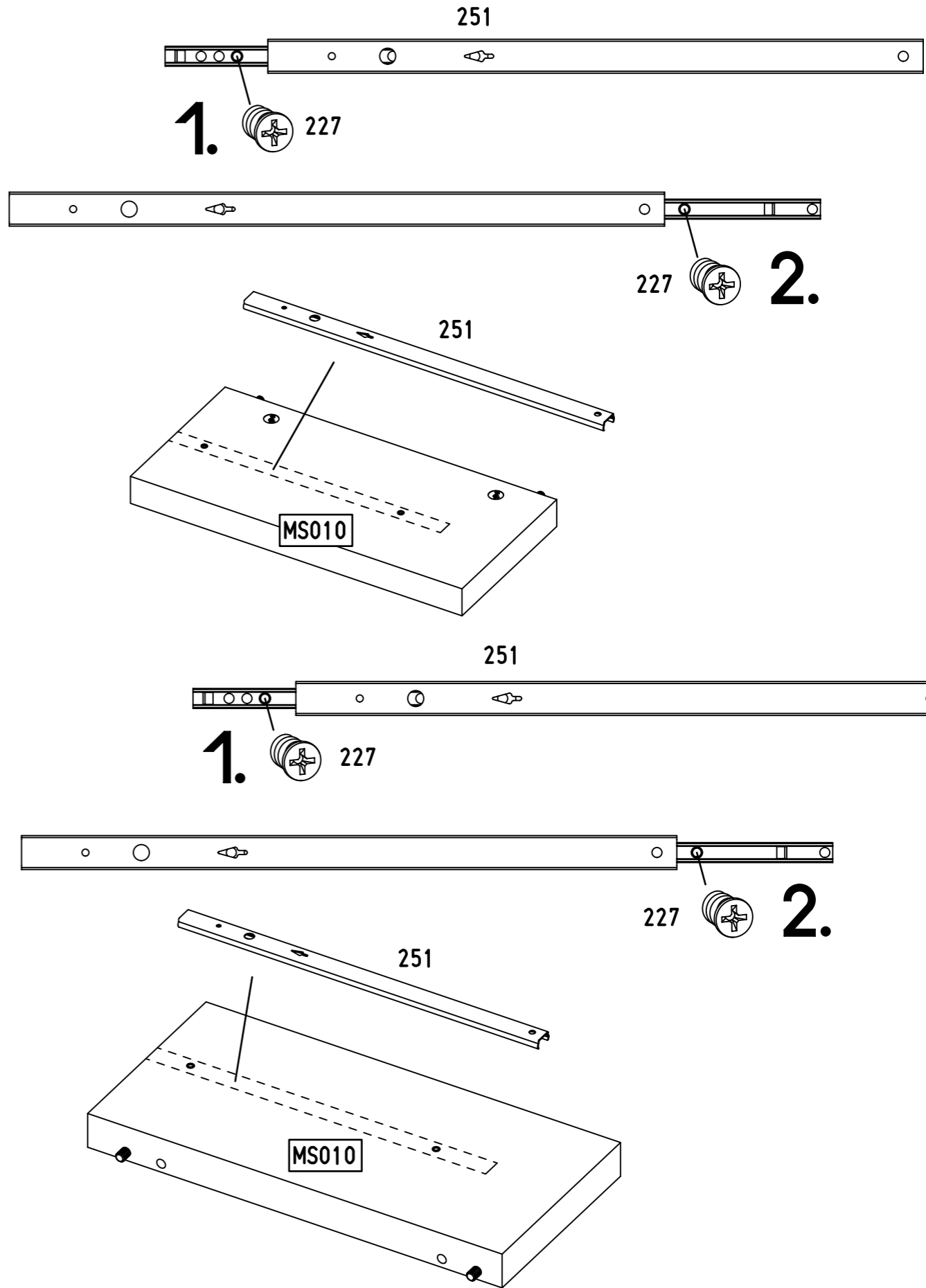
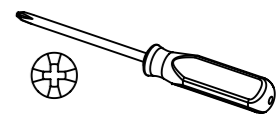


328x17x9,5

4x 227



6x10,5

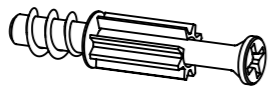


M2109

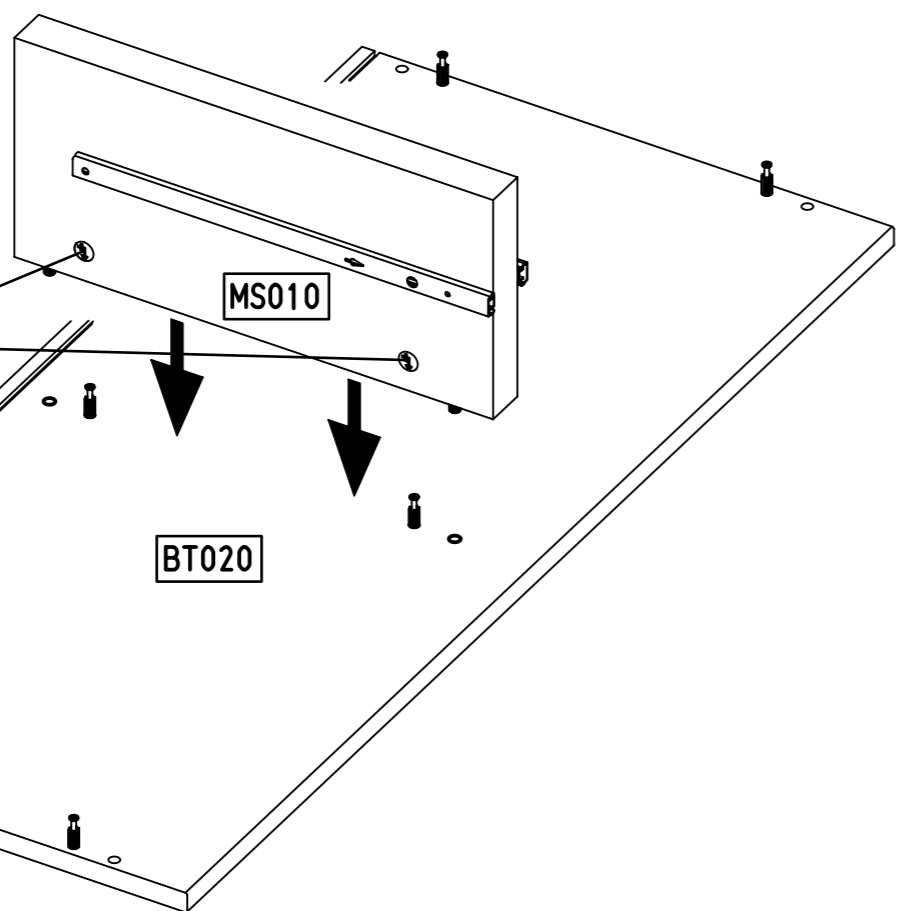
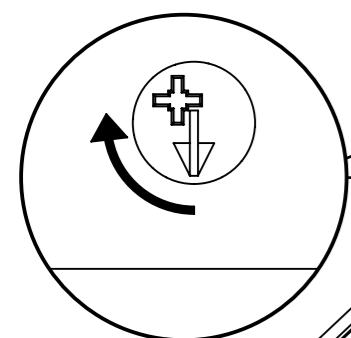
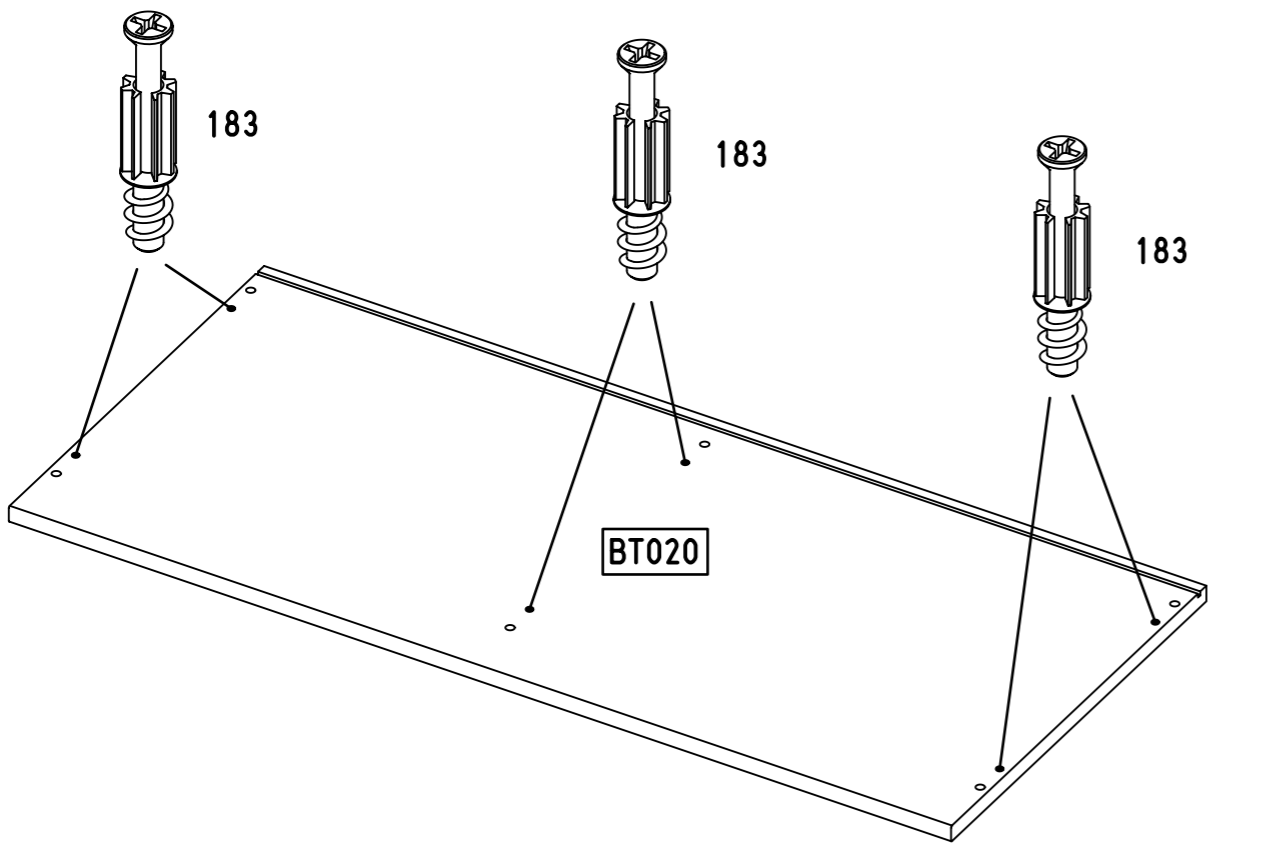
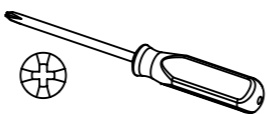
17

6x

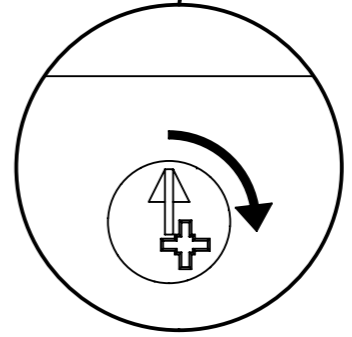
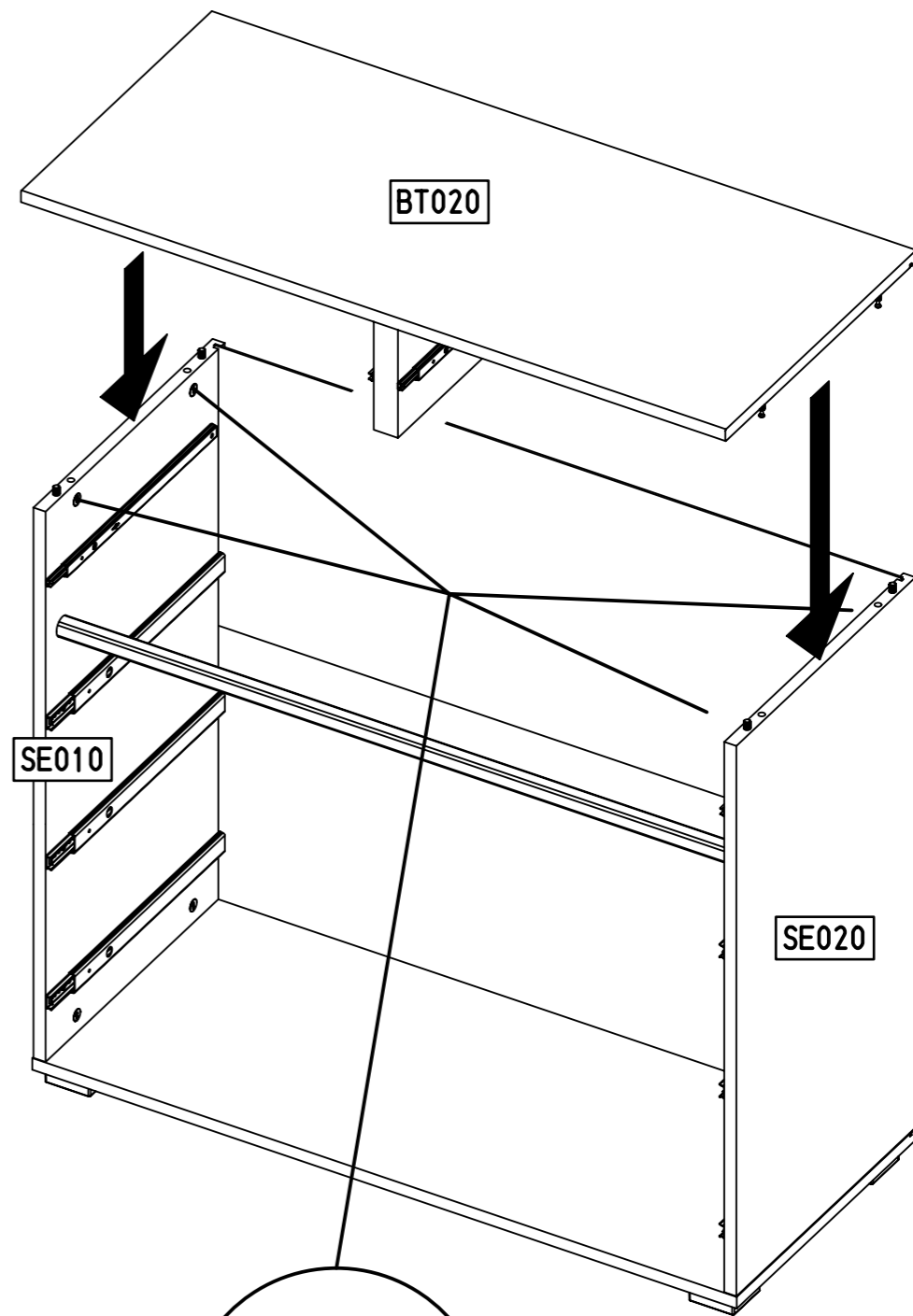
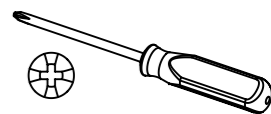
183



23/10x7,5

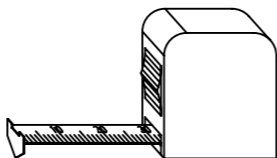
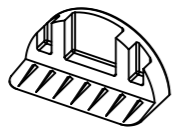


18

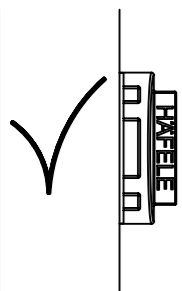
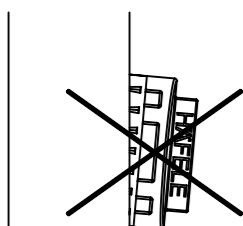
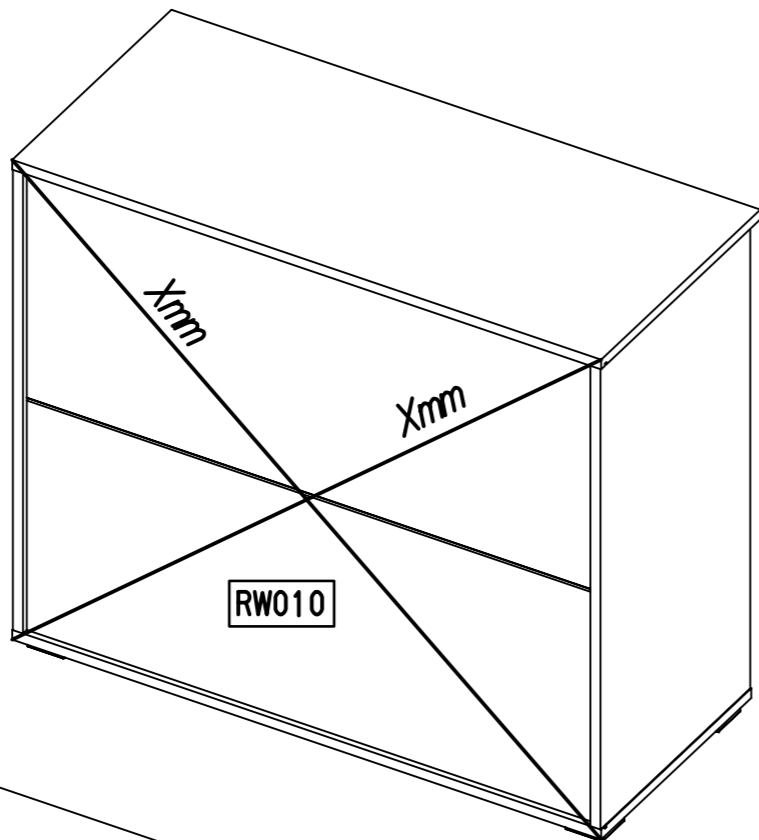
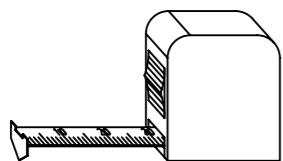


19

2x 1090



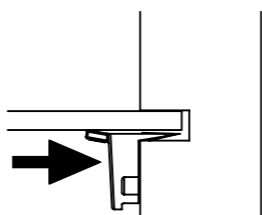
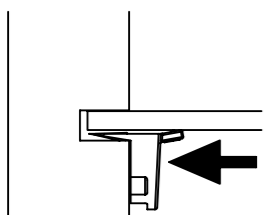
$Xmm = Xmm$



1090

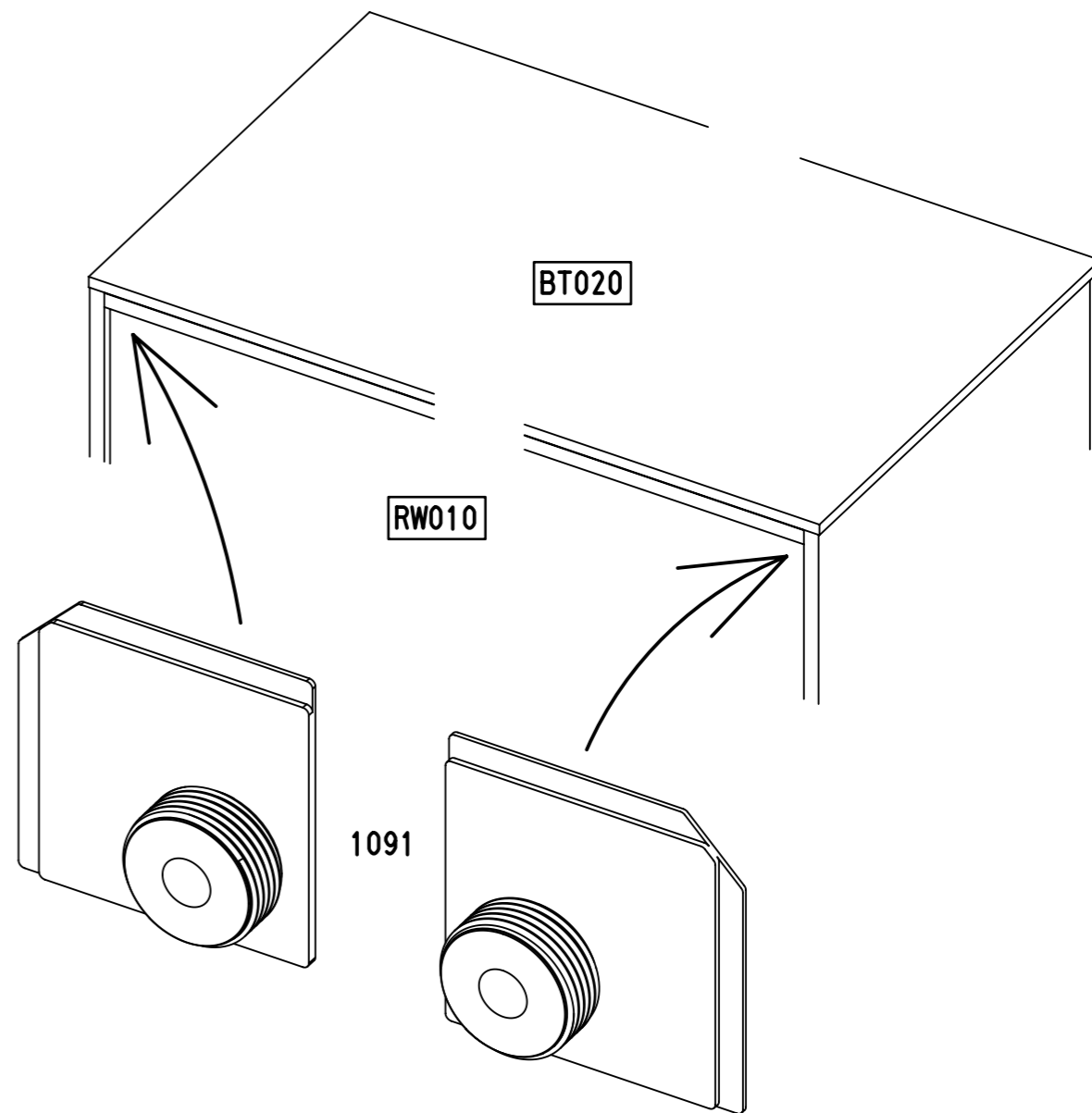
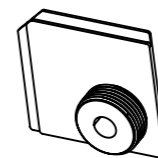
RW010

1090

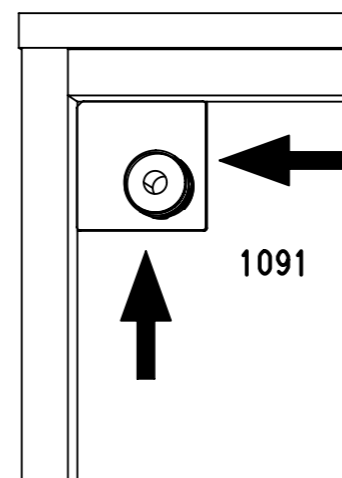


20

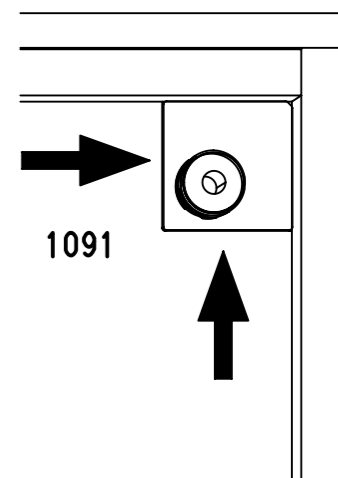
2x 1091



1091



1091

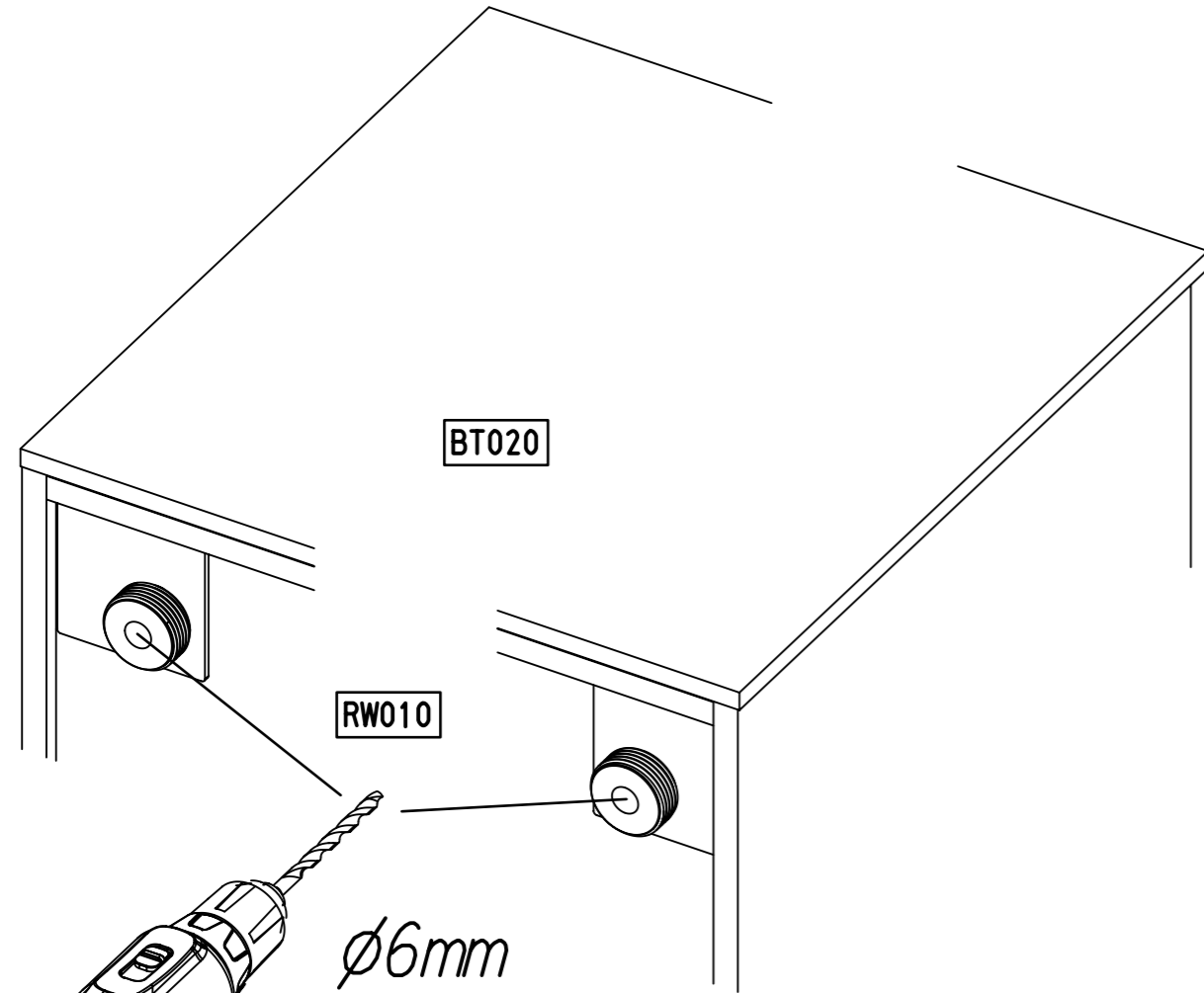
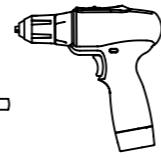


1091

RW010

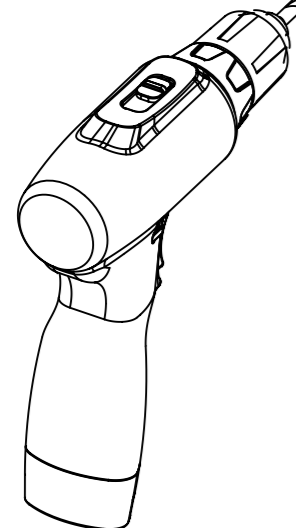
21

∅6mm

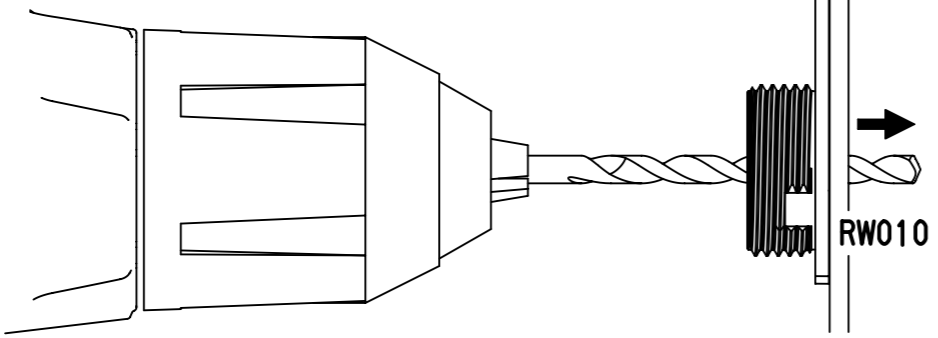


RW010

∅6mm

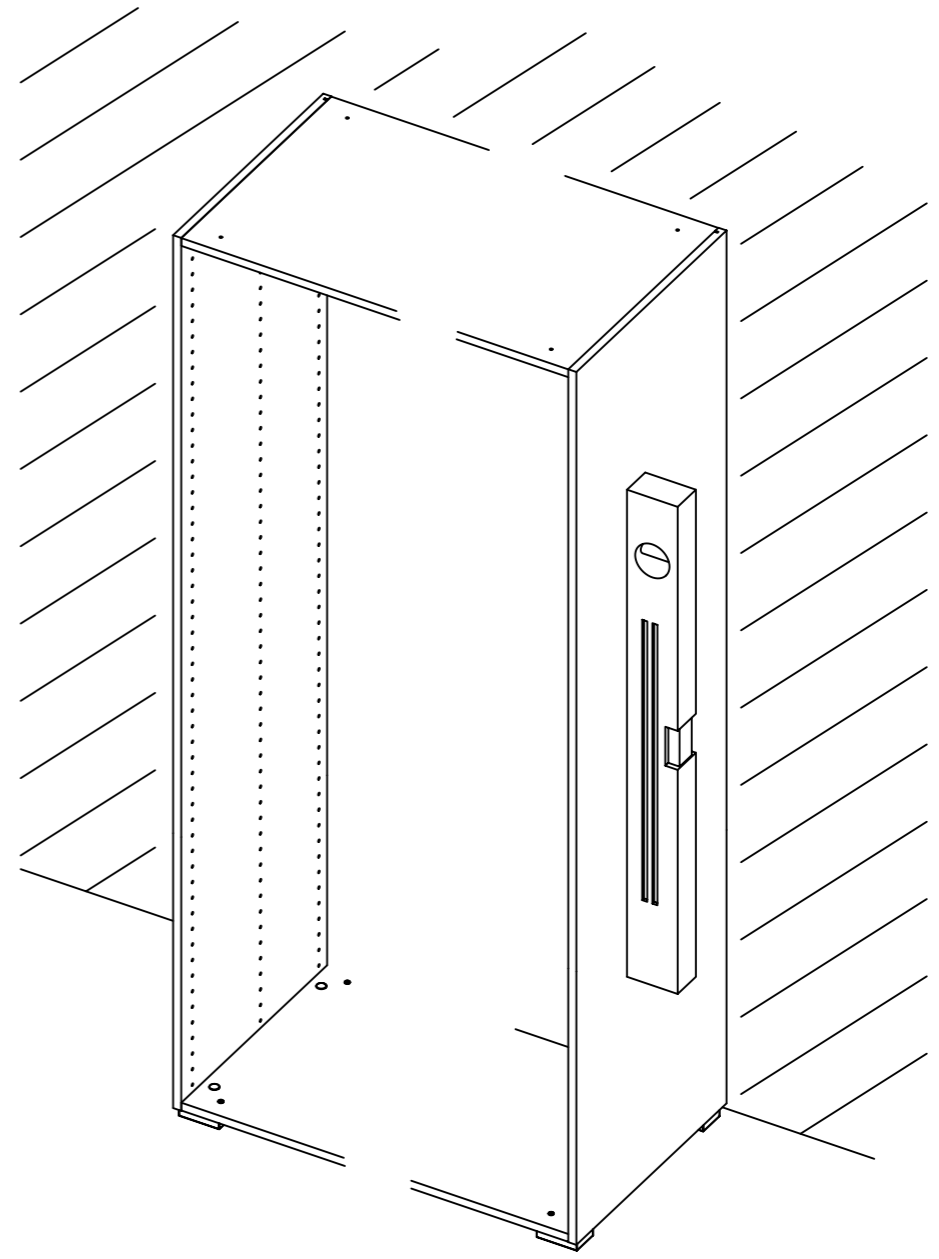
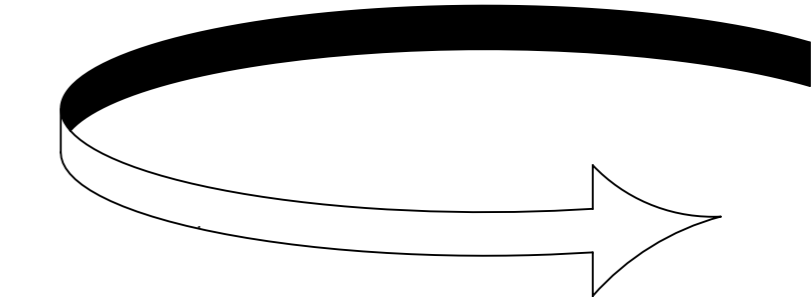
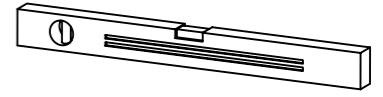


BT020



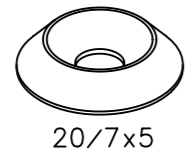
RW010

22



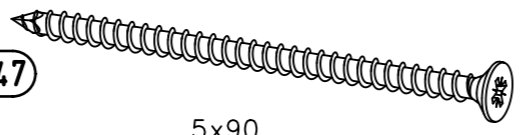
23

2x 1093

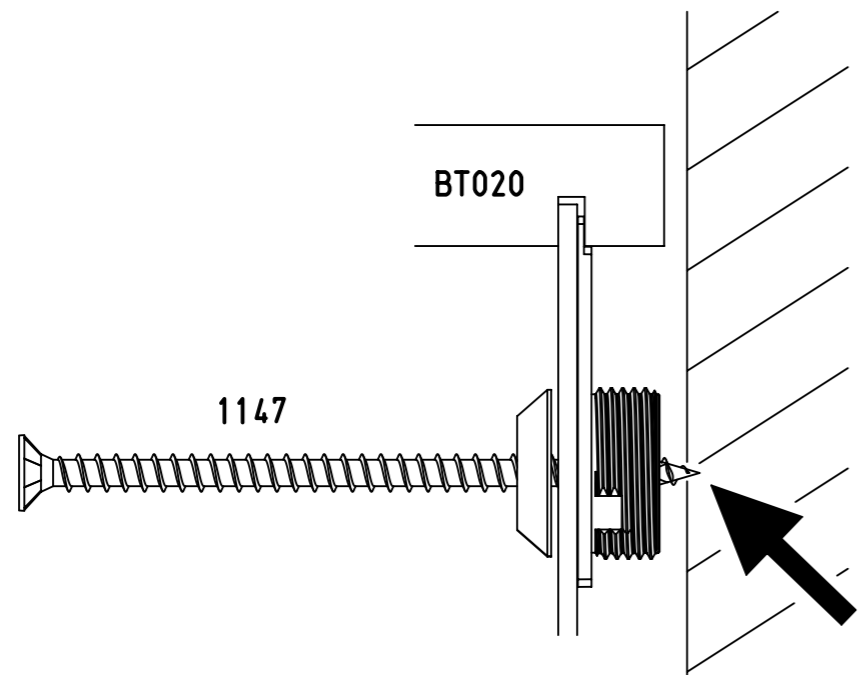
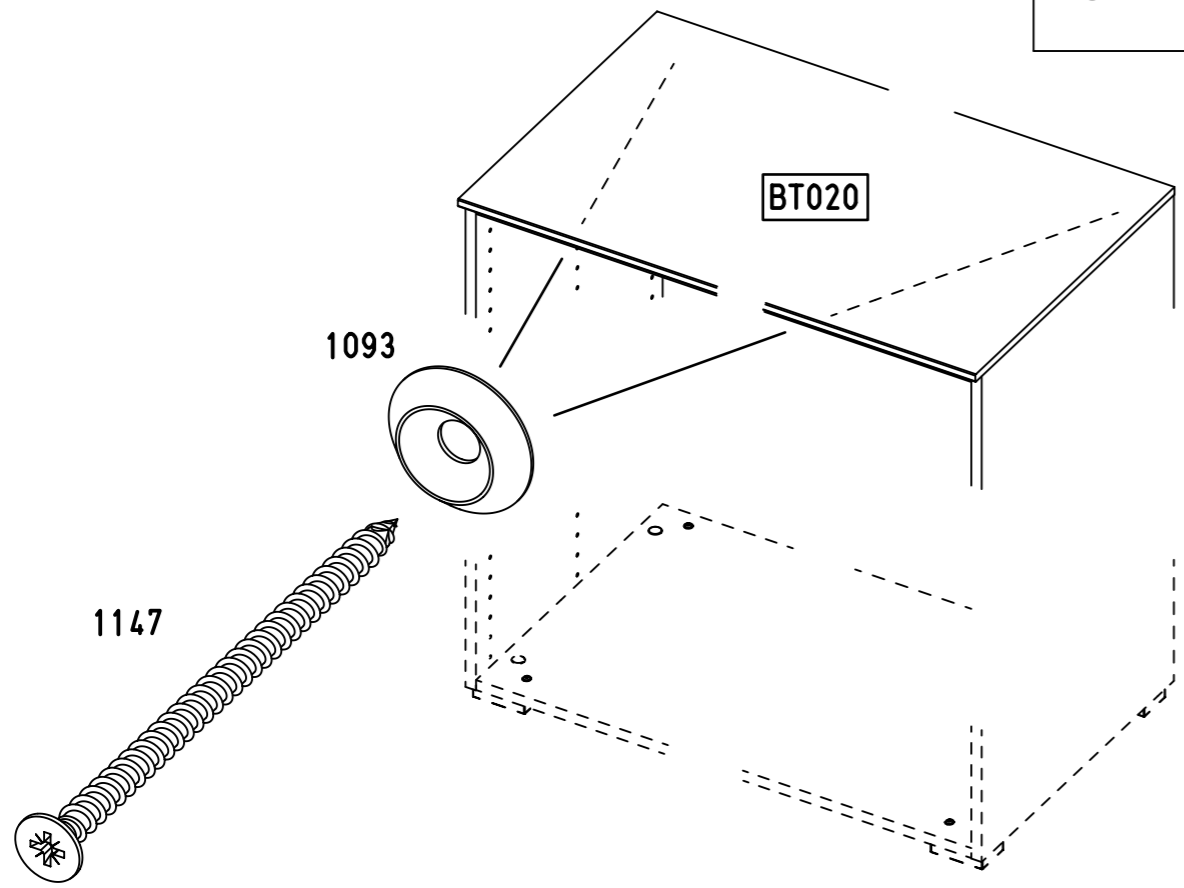
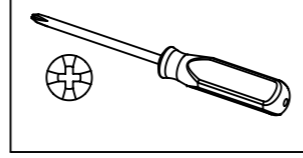


20/7x5

2x 1147

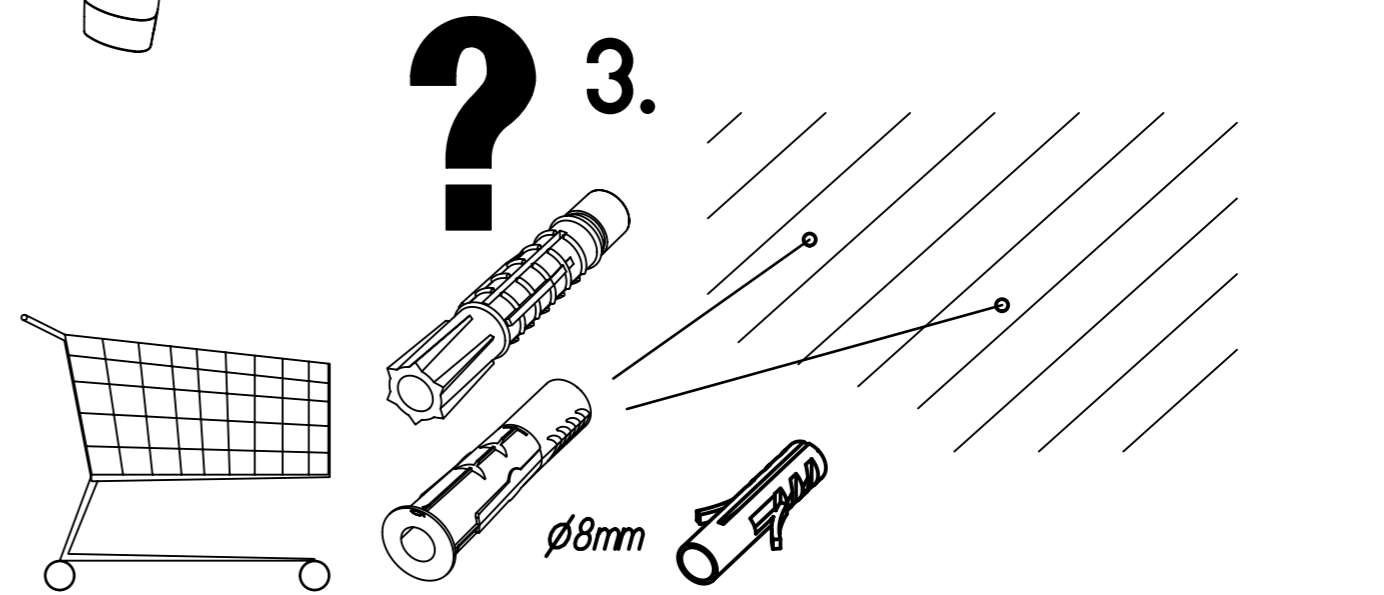
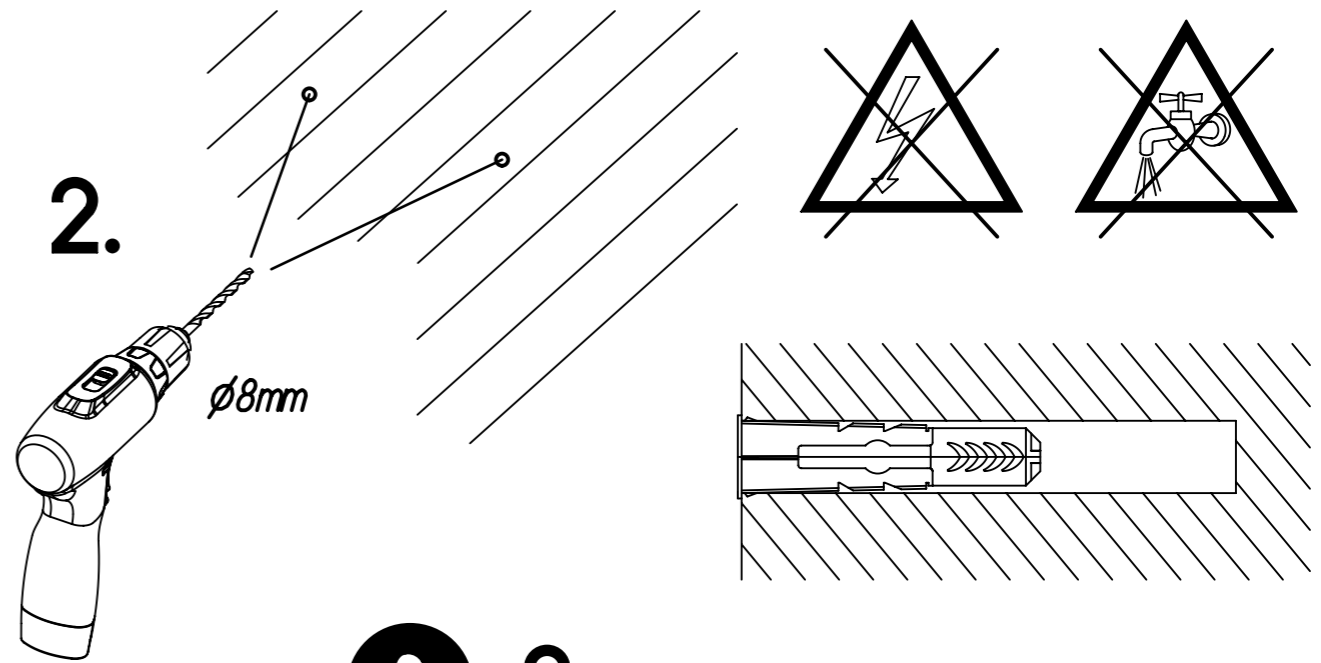
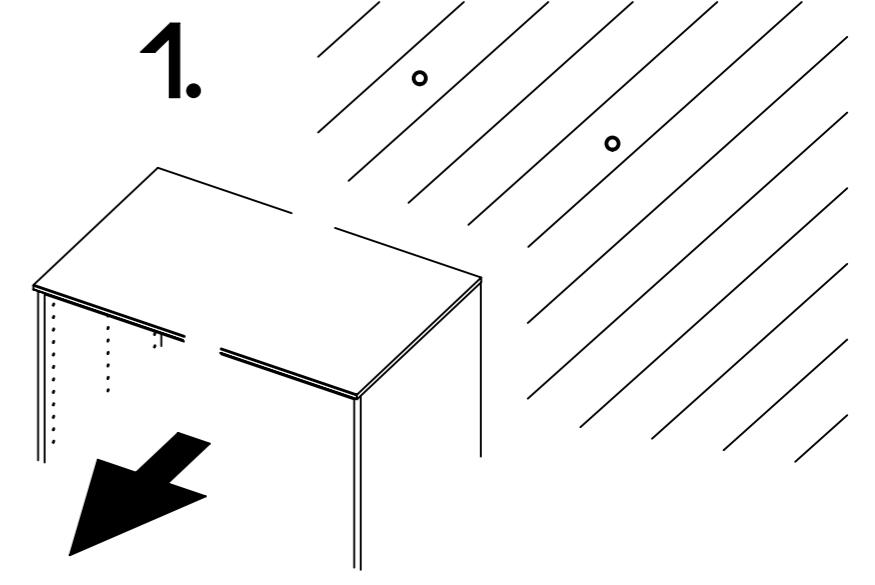
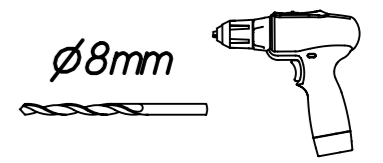


5x90



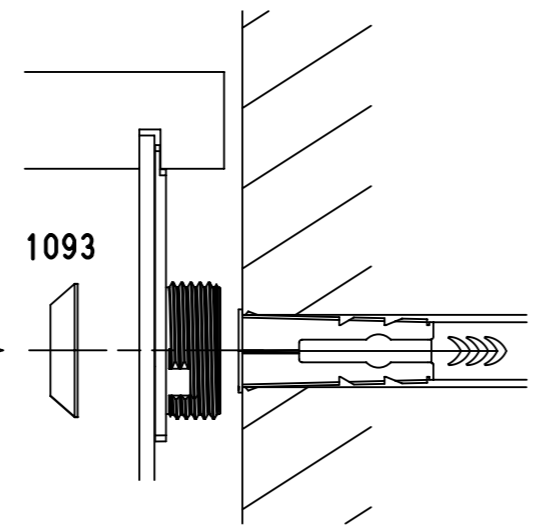
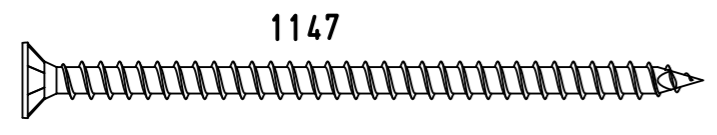
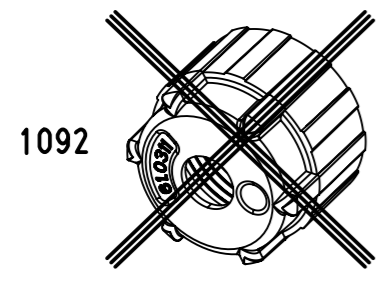
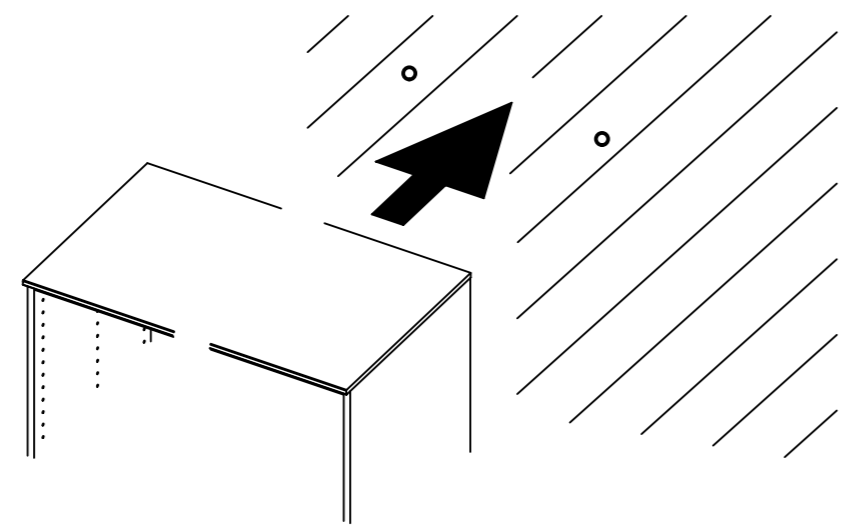
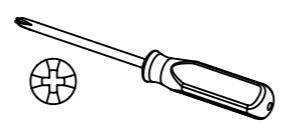
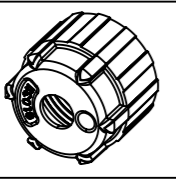
24

ø8mm

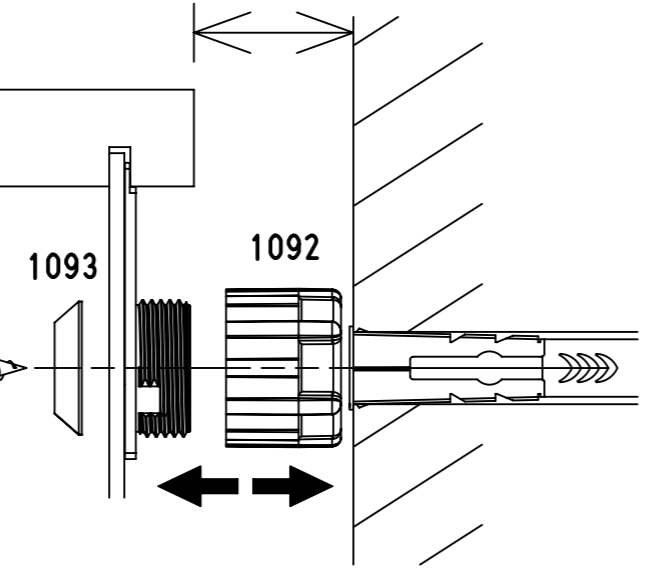
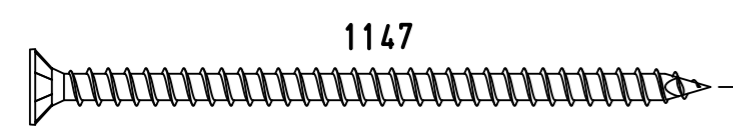


25

2x 1092

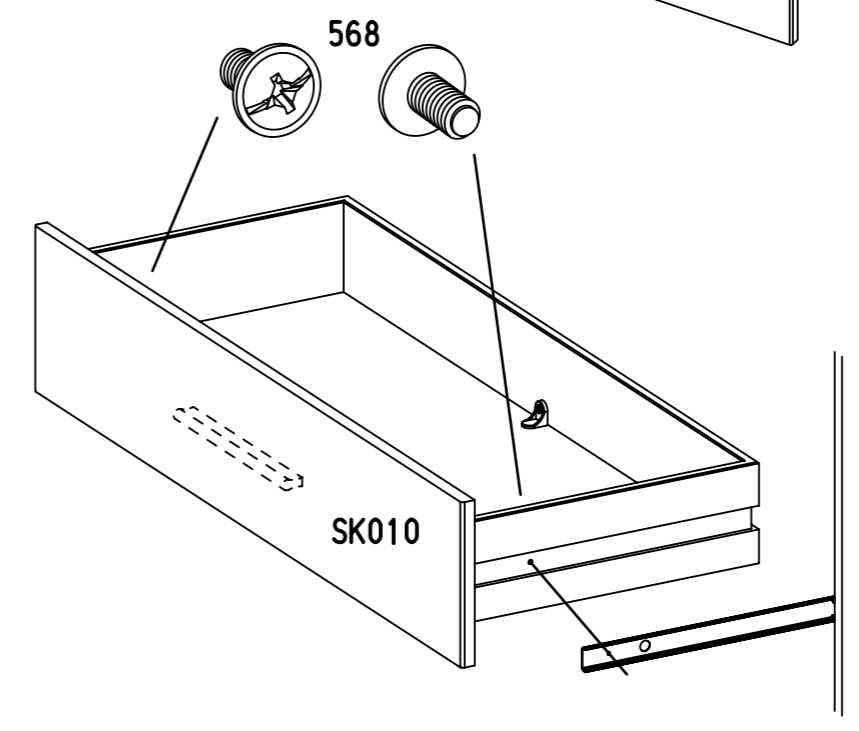
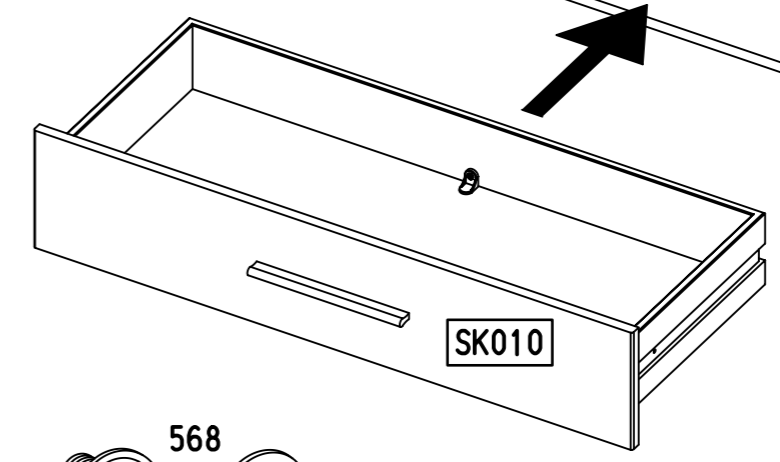
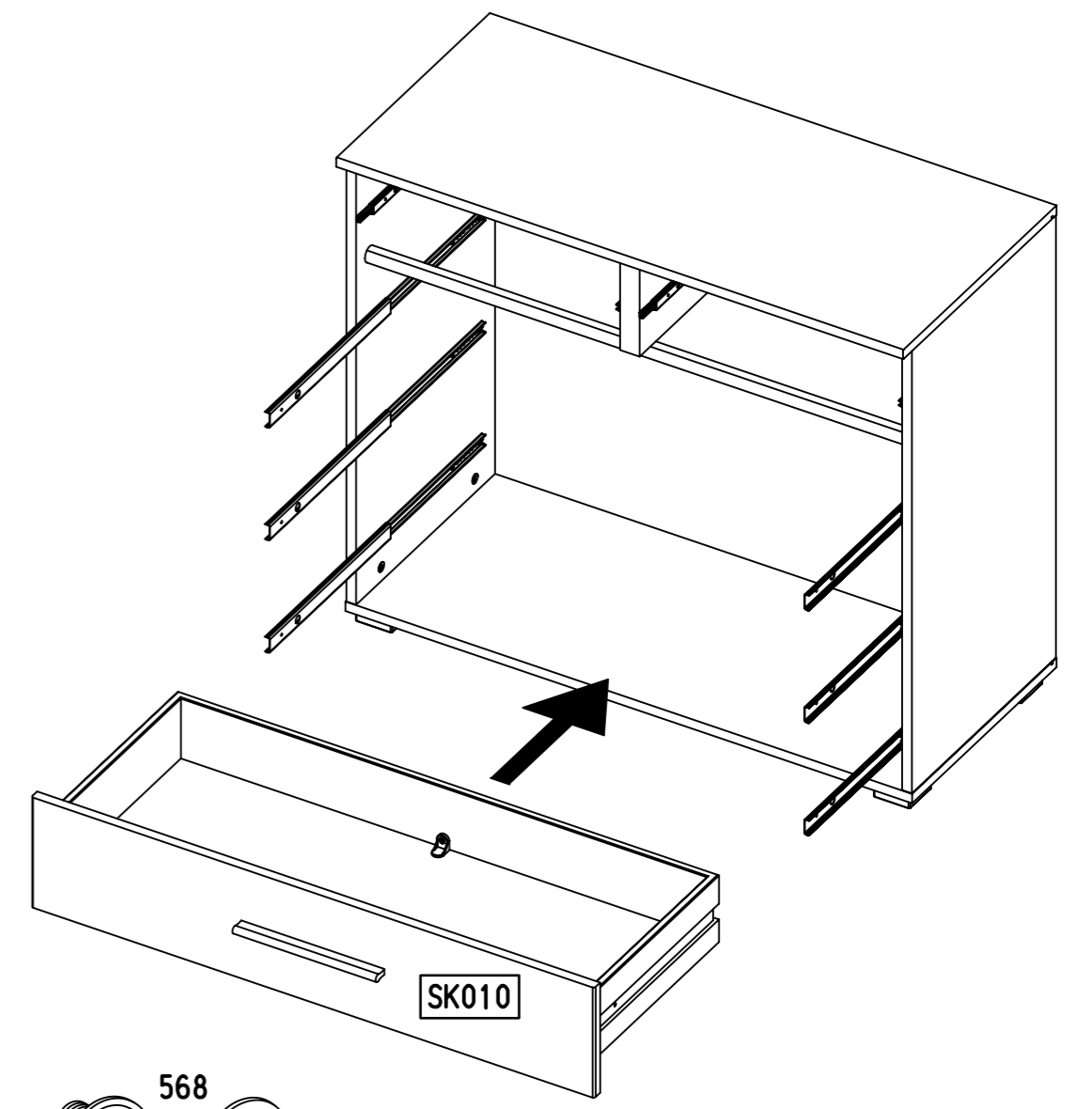
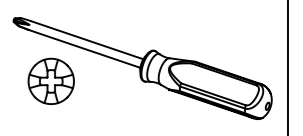


10-15mm



26

6x 568

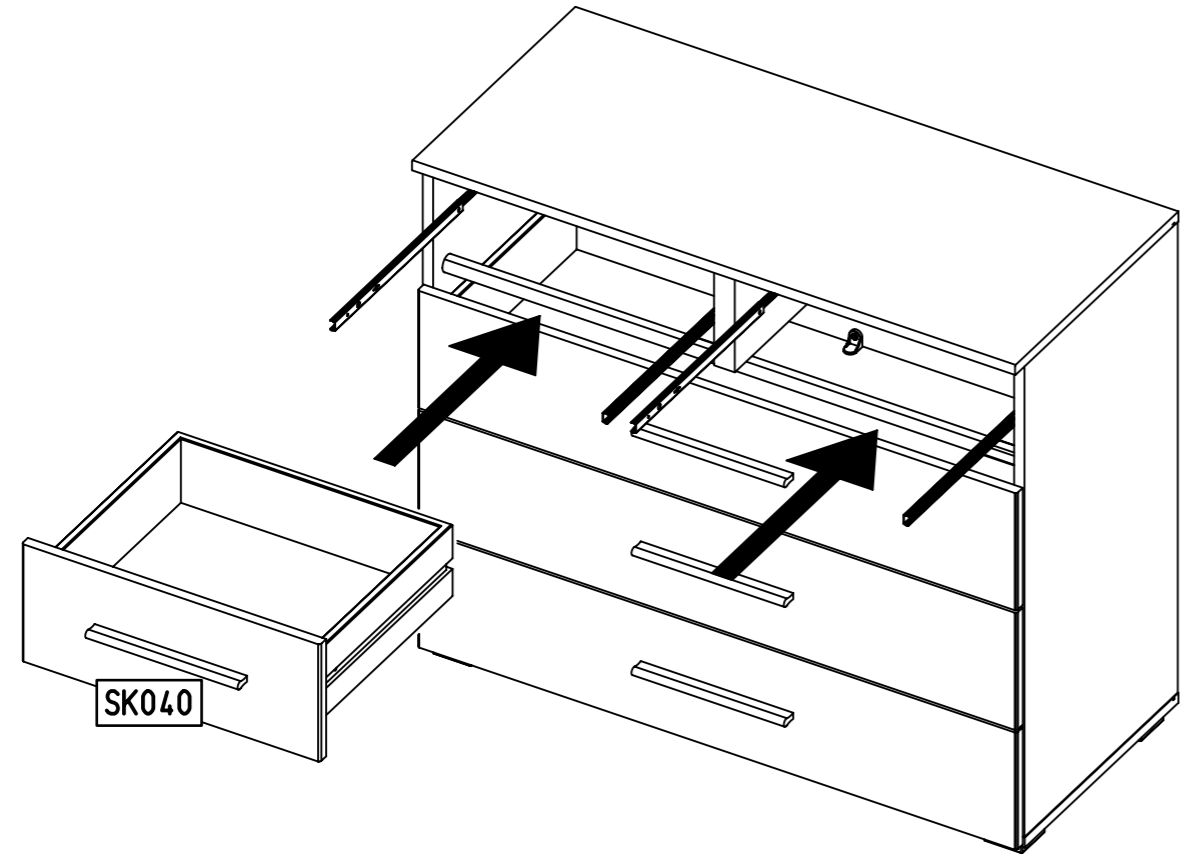
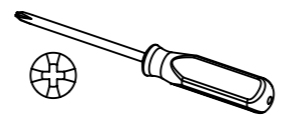


27

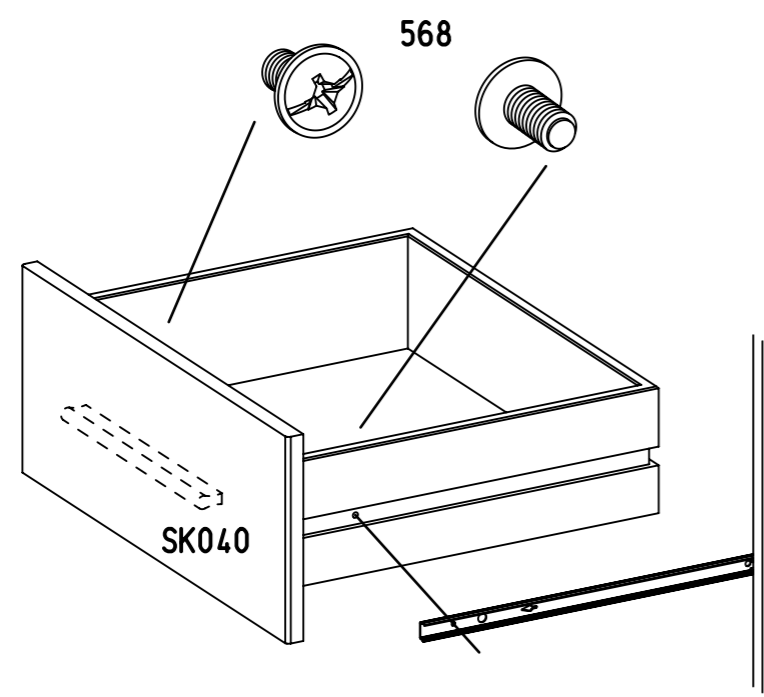
4x 568



M4x9



SK040



568

SK040