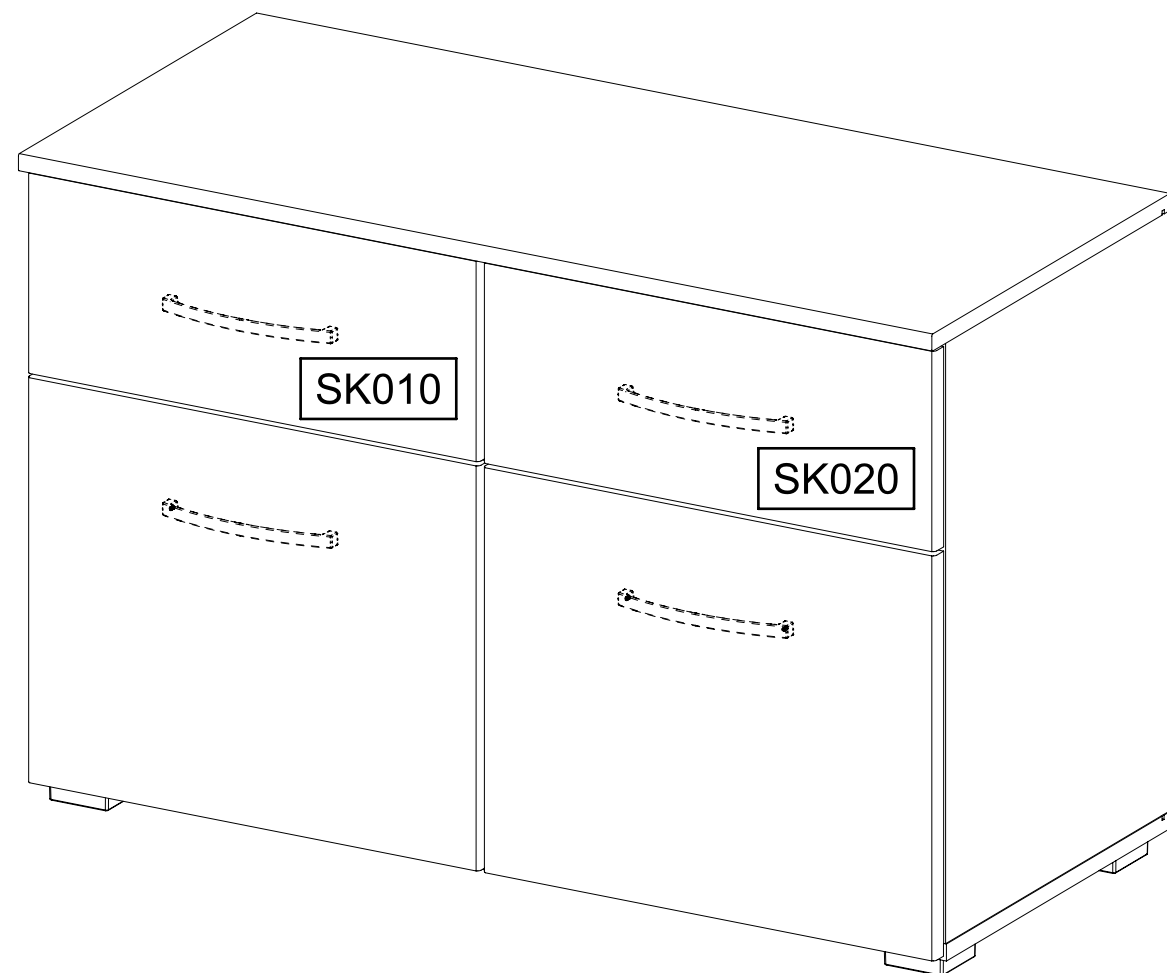
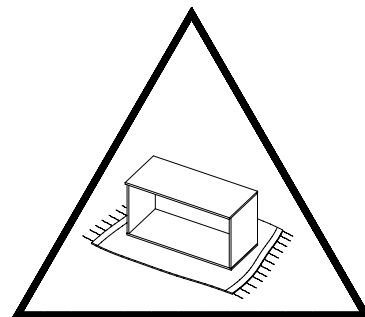
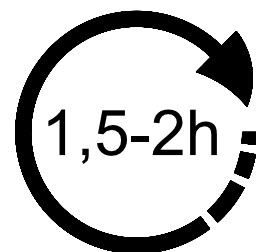
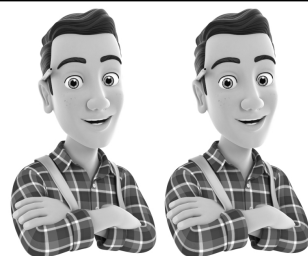
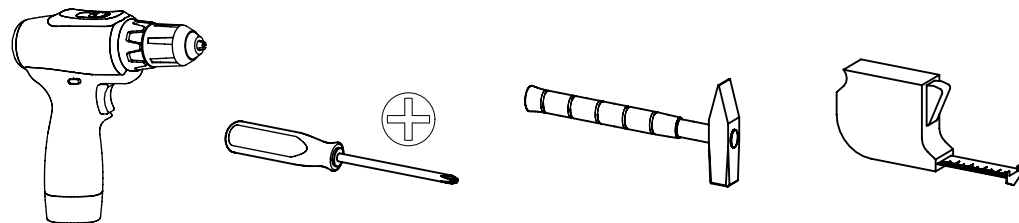


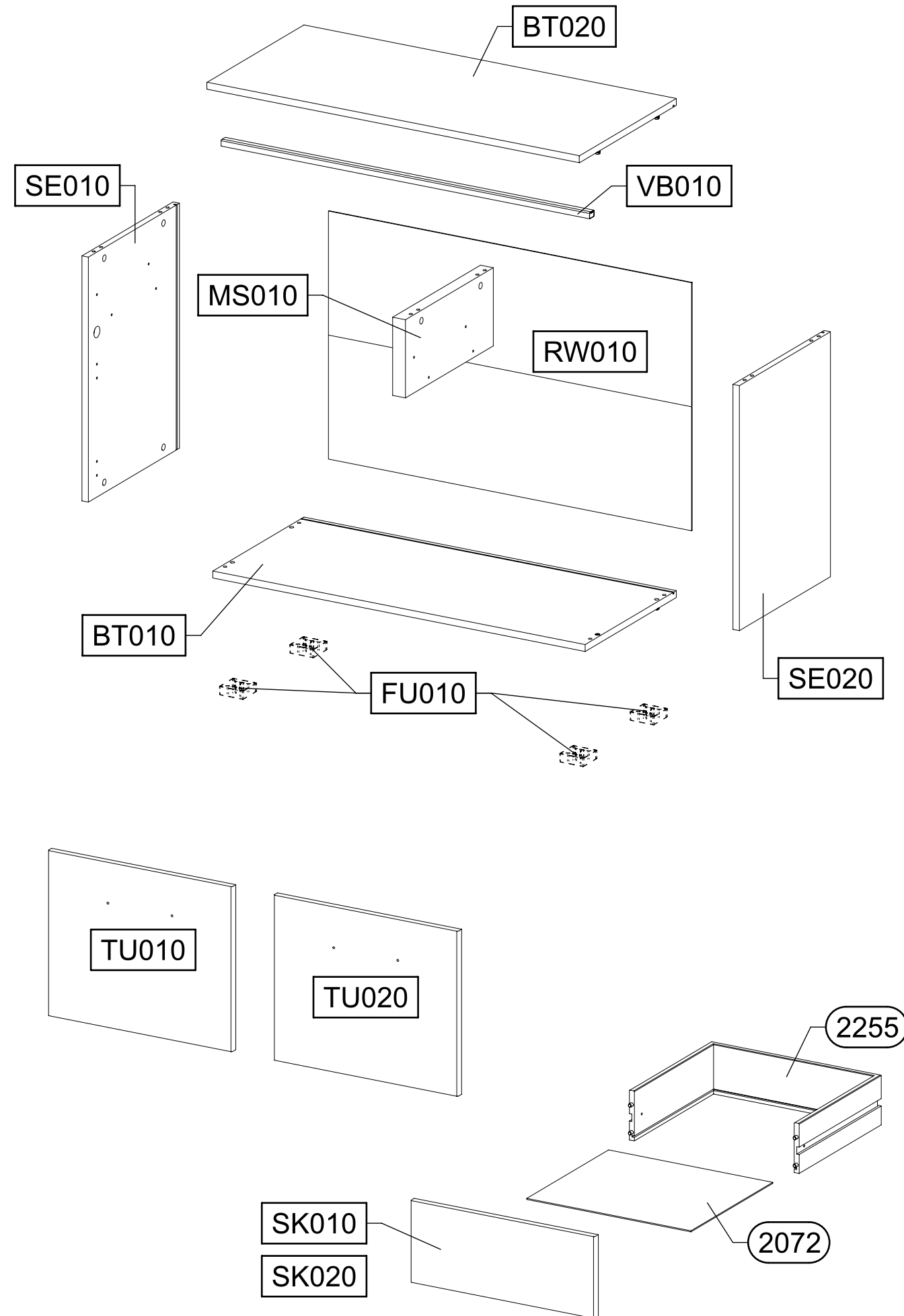
1.

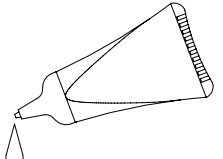

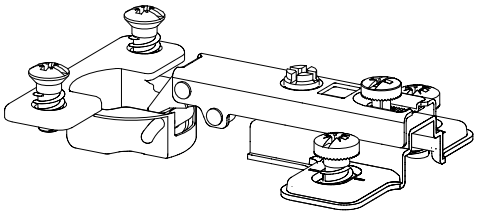
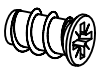
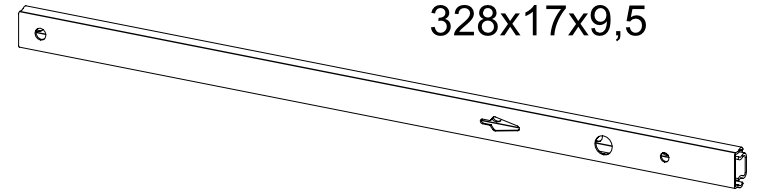

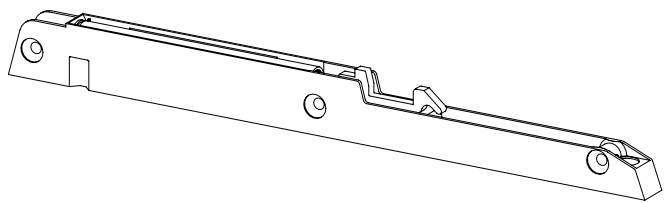

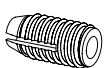
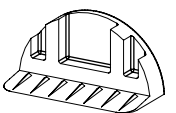
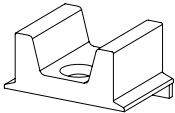
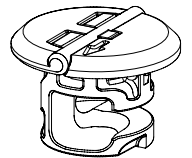
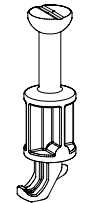
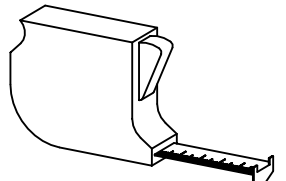
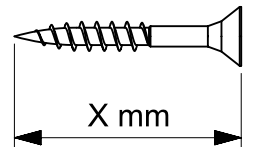
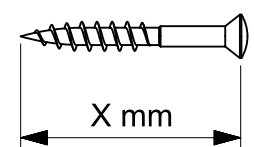
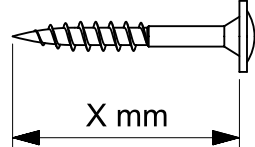
M2716_01

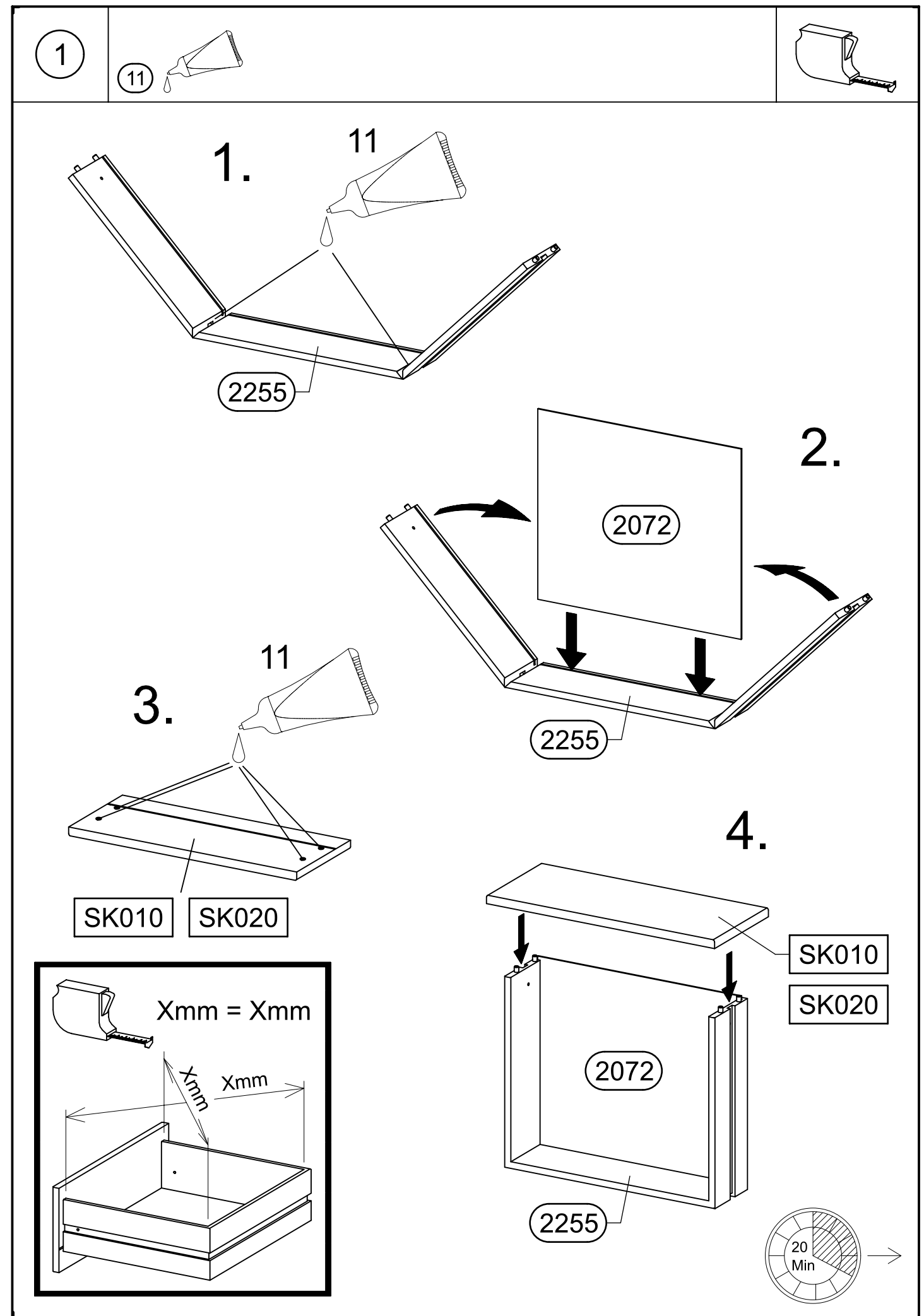
rauch

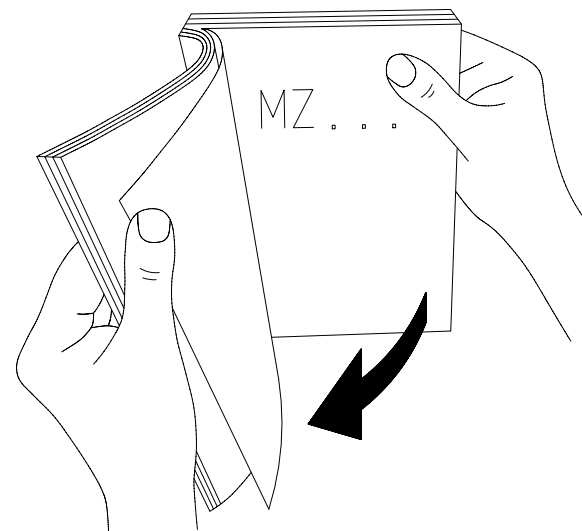
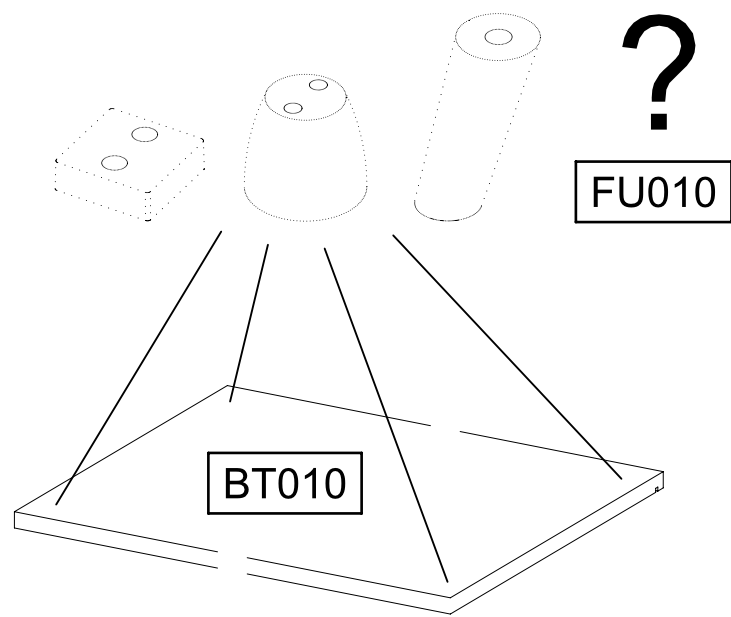
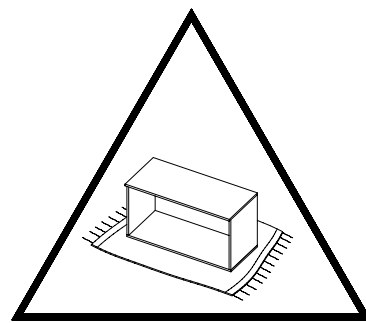
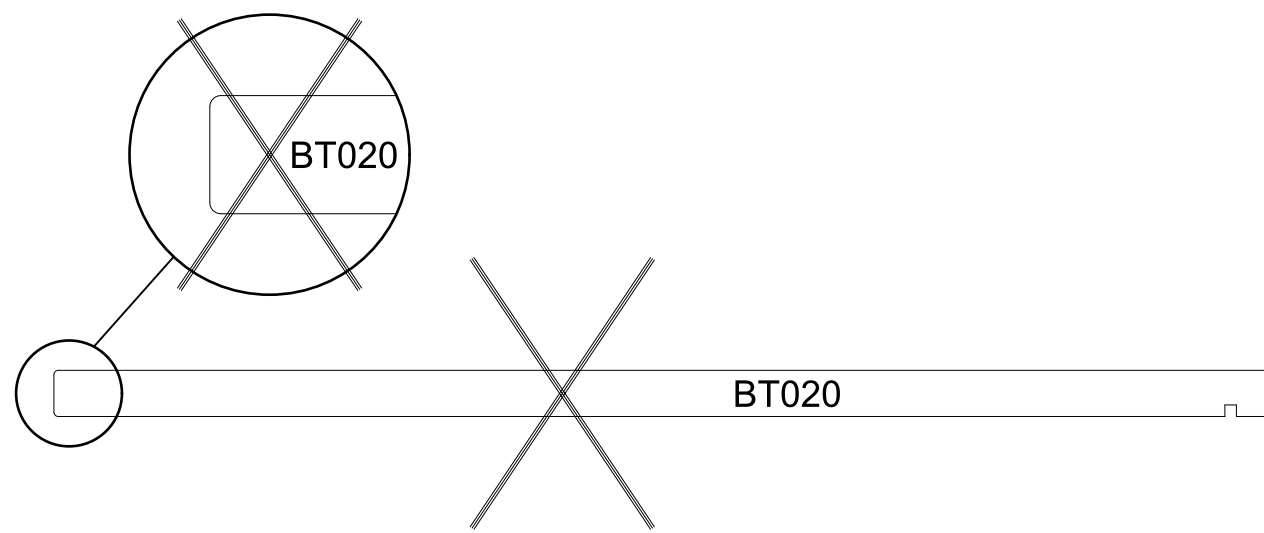


2.



<p>11 </p>	<p>10x 8x30 </p>	<p>4x </p>
<p>8x 6x10,5 </p>	<p>4x 328x17x9,5 </p>	
<p>4x M4x9 </p>	<p>4x </p>	
<p>16x 3,5x20 </p>	<p>8x 6x12 </p>	<p>4x </p>
<p>4x </p>	<p>10x </p>	<p>10x </p>
   		



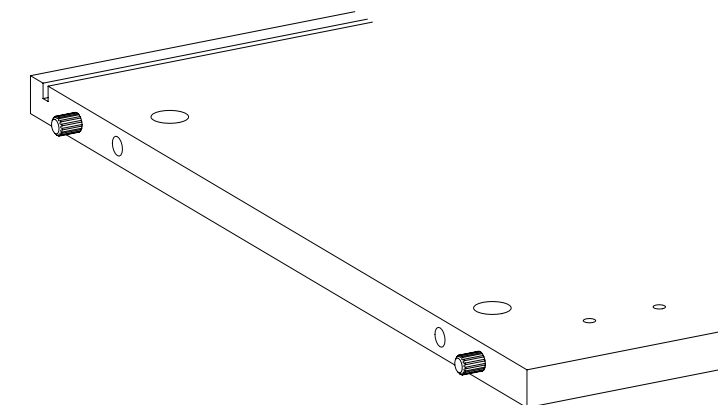
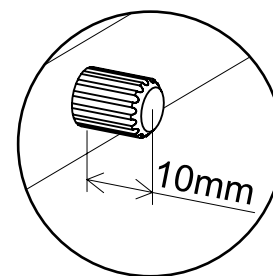
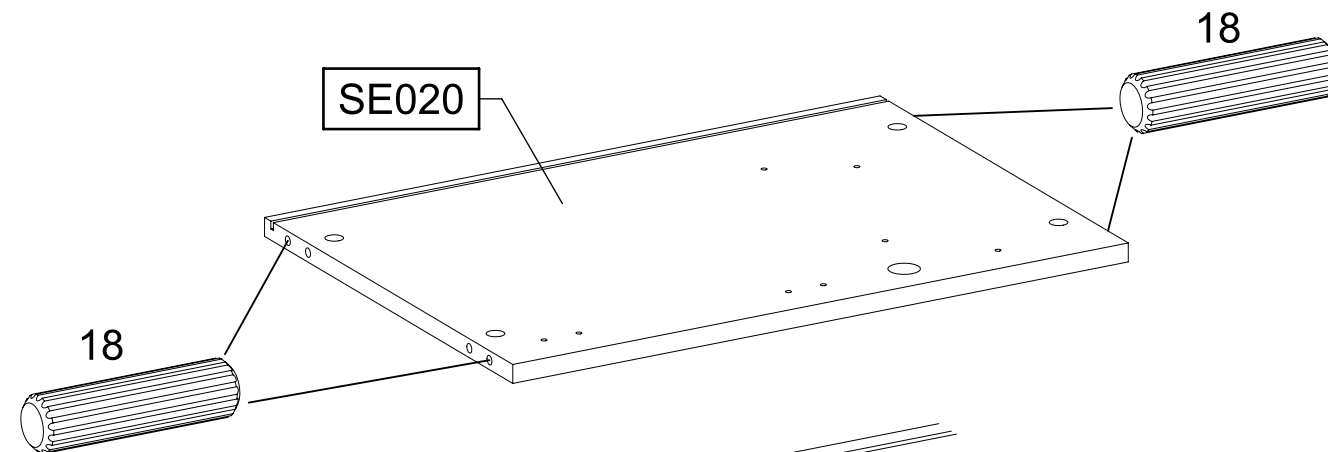
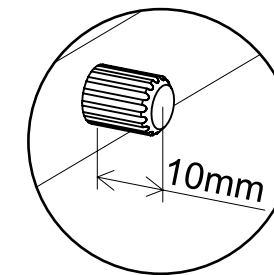
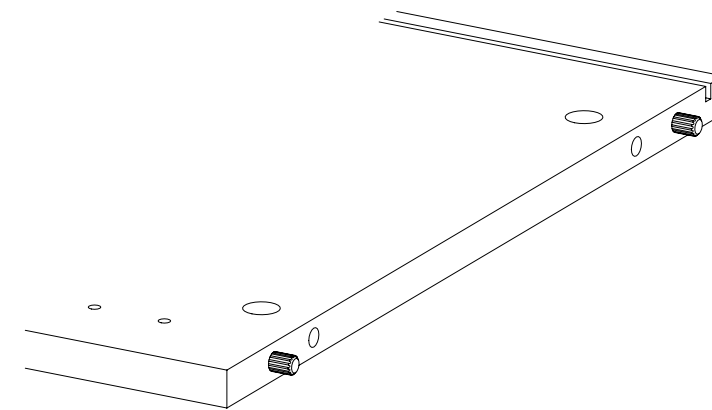
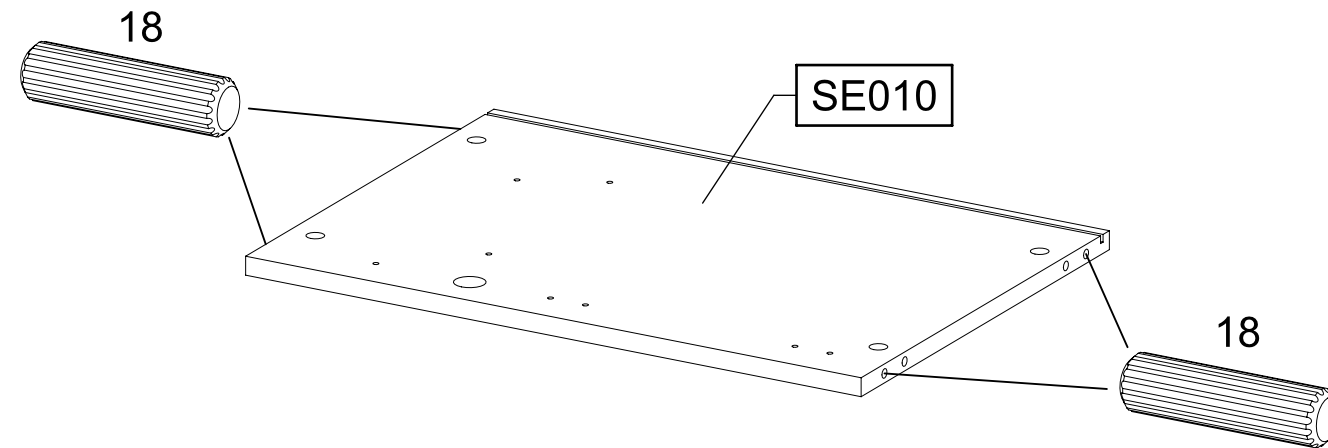
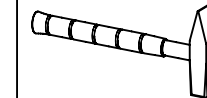


2

8x

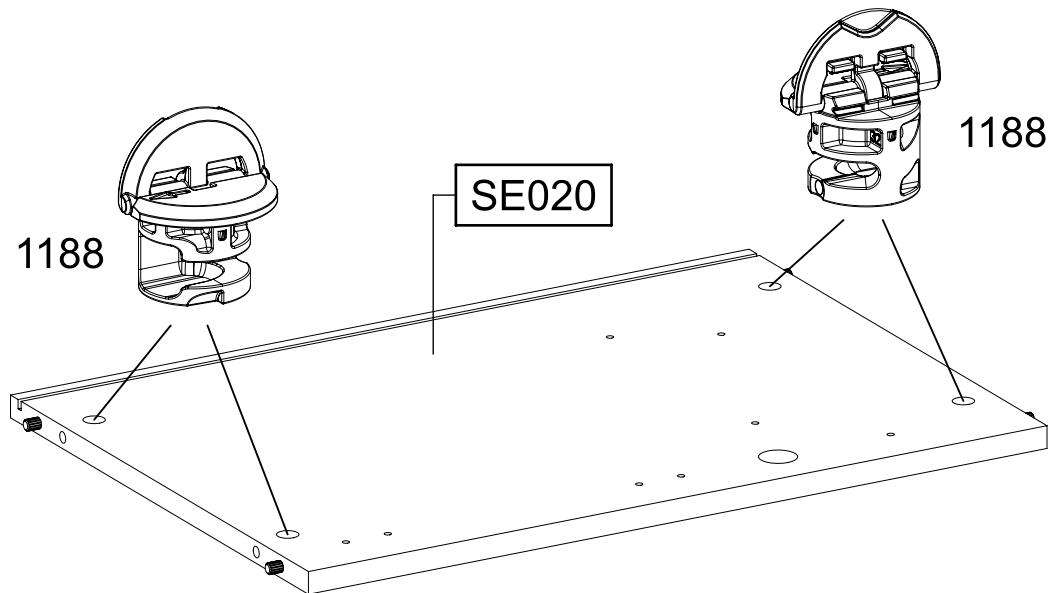
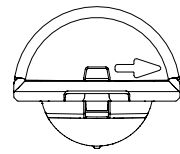
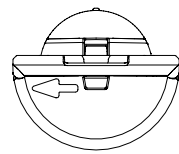
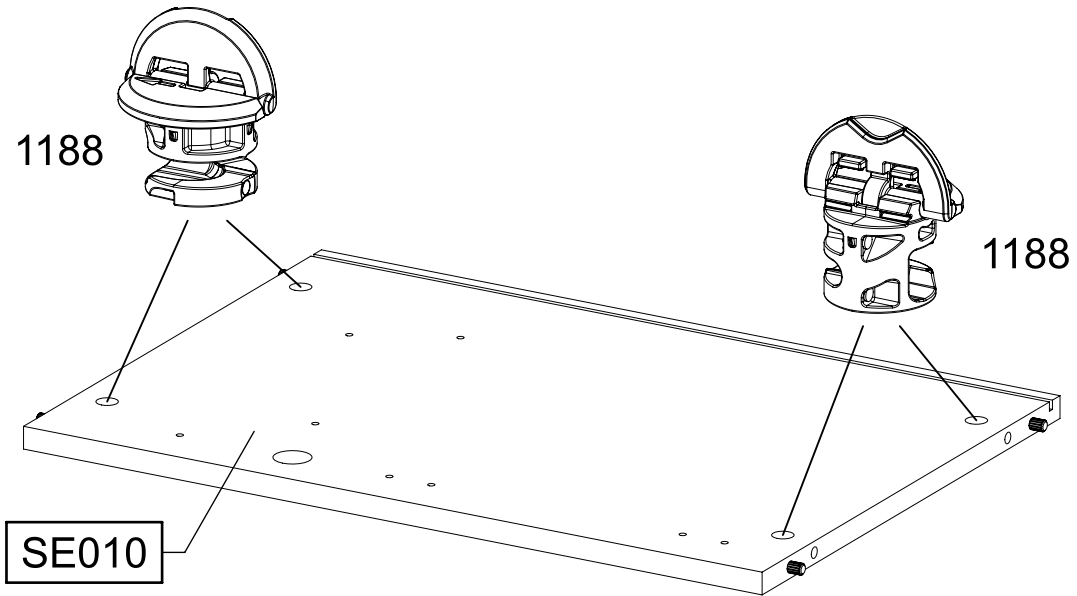
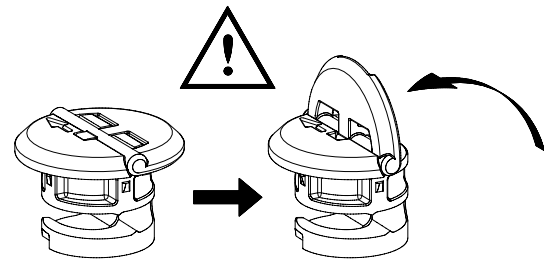
18

8x30



3

8x 1188

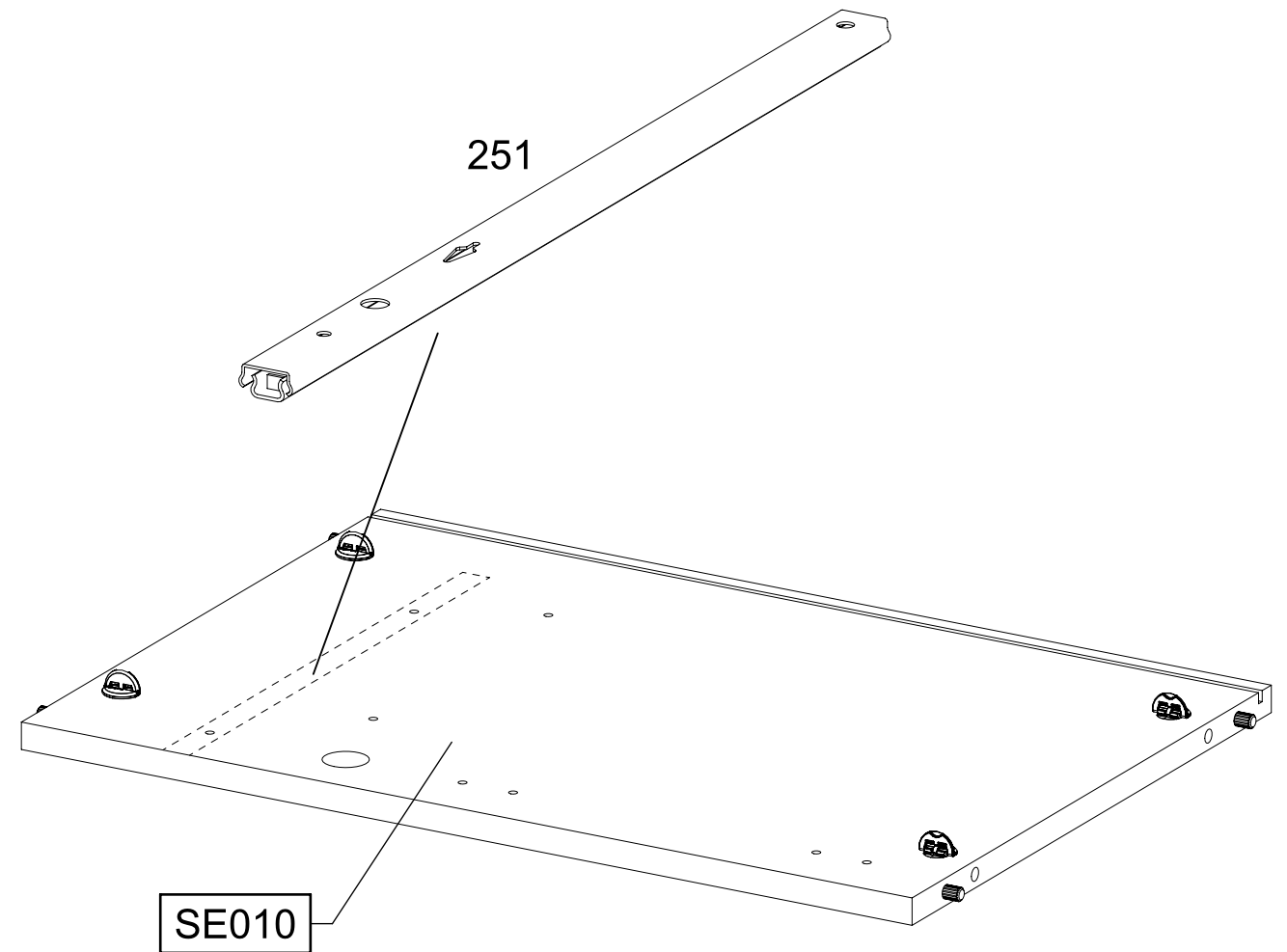
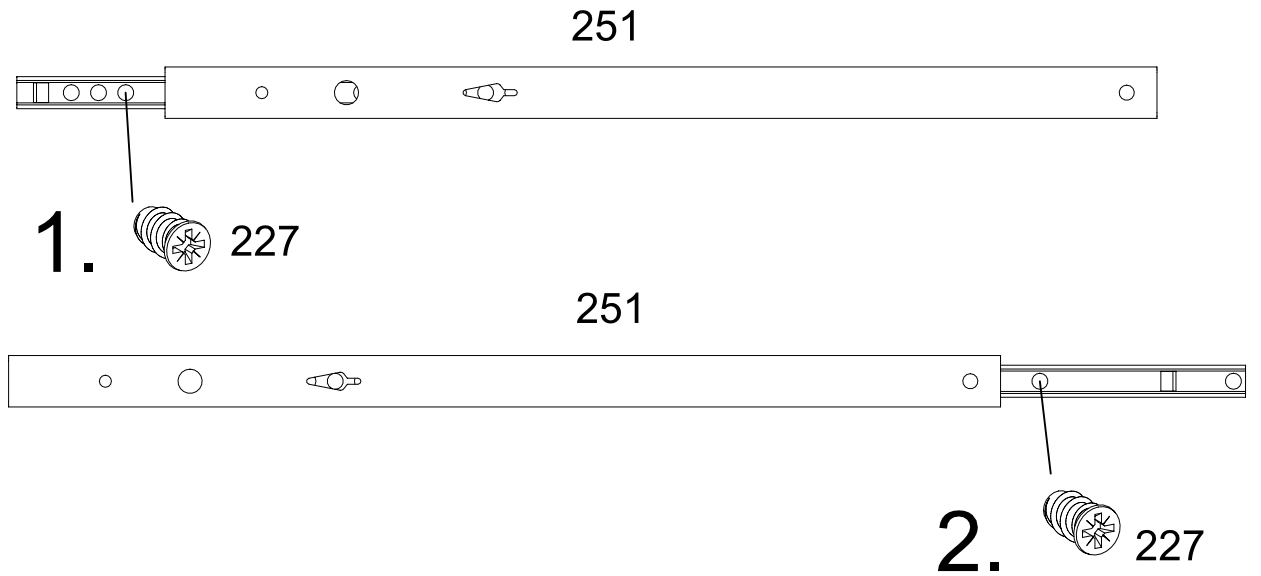
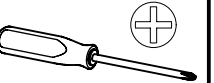
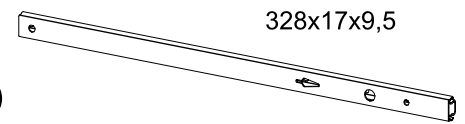


SE020

4

2x 227 6x10,5

1x 251



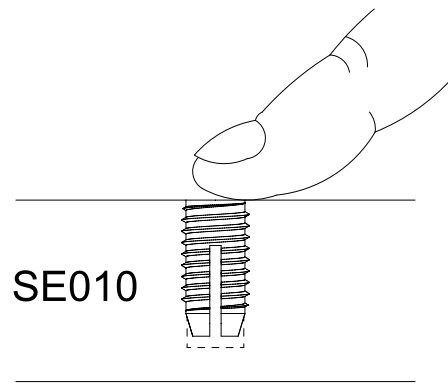
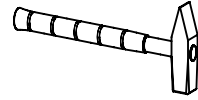
SE010

5

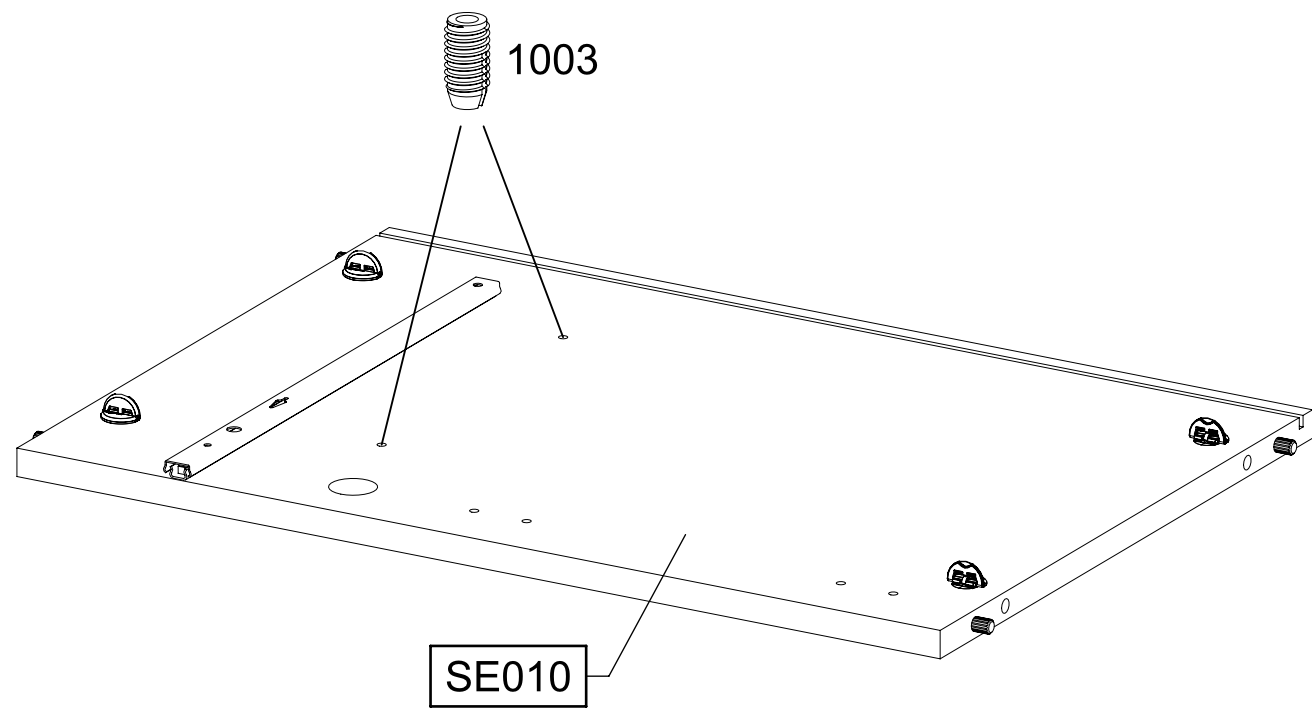
2x

1003

6x12



SE010



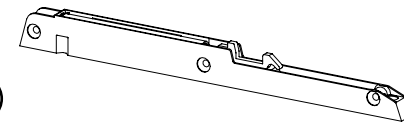
1003

SE010

6

1x

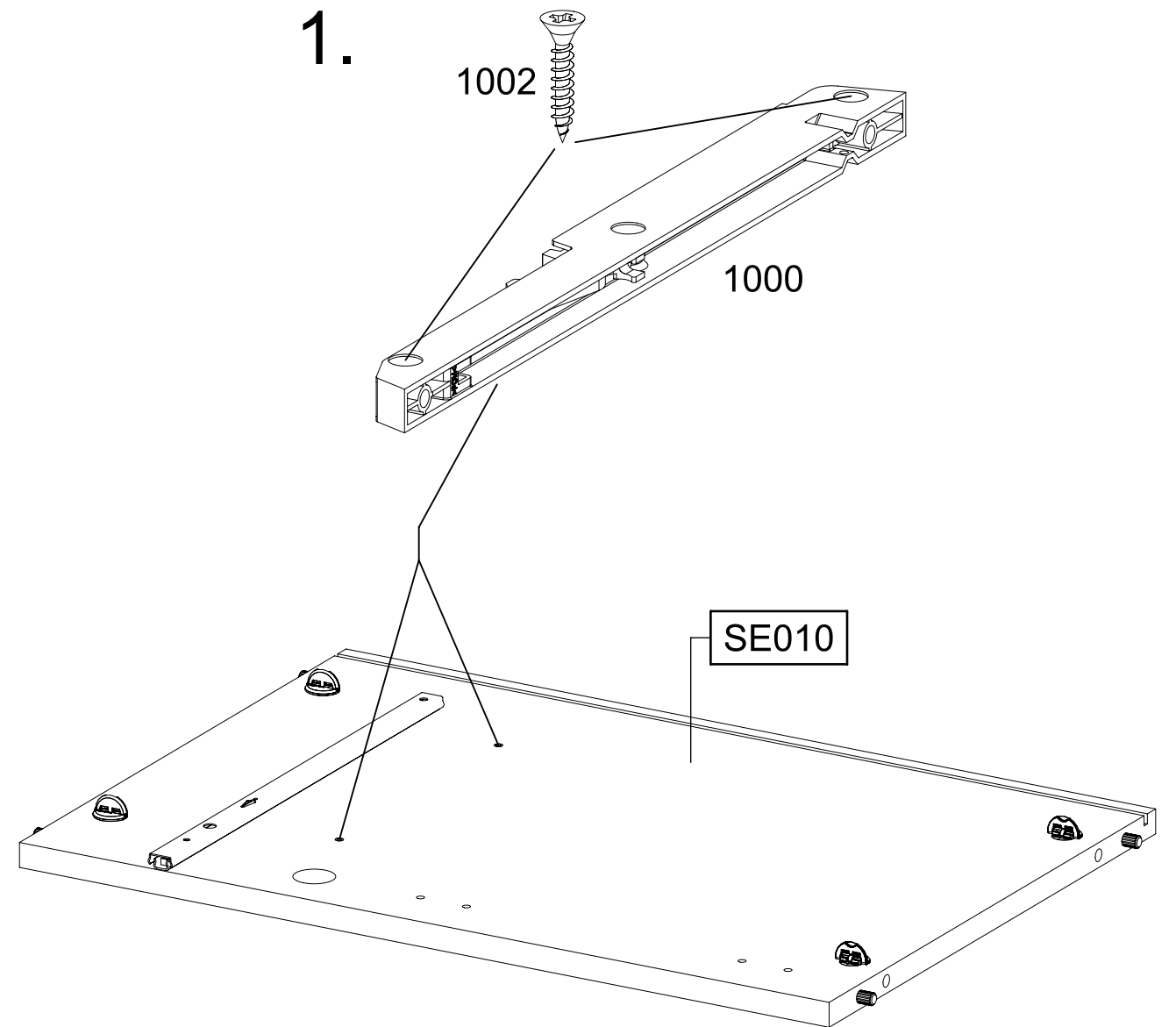
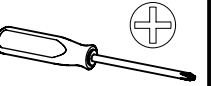
1000



3x

1002

3,5x20



1.

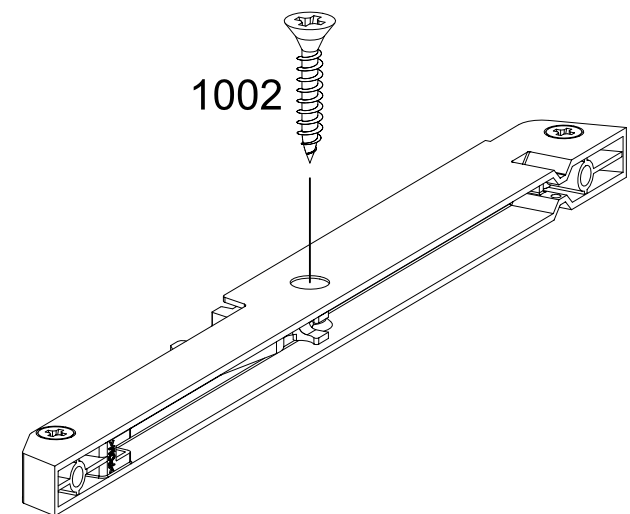
1002

1000

SE010

2.

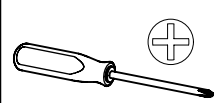
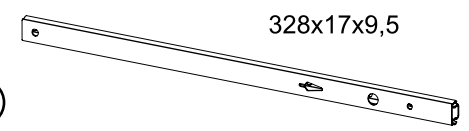
1002



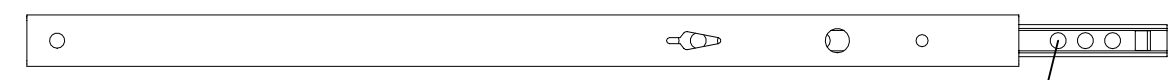
7

2x 227 6x10,5

1x 251

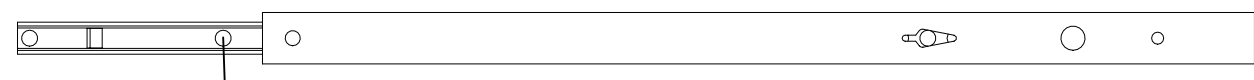


251



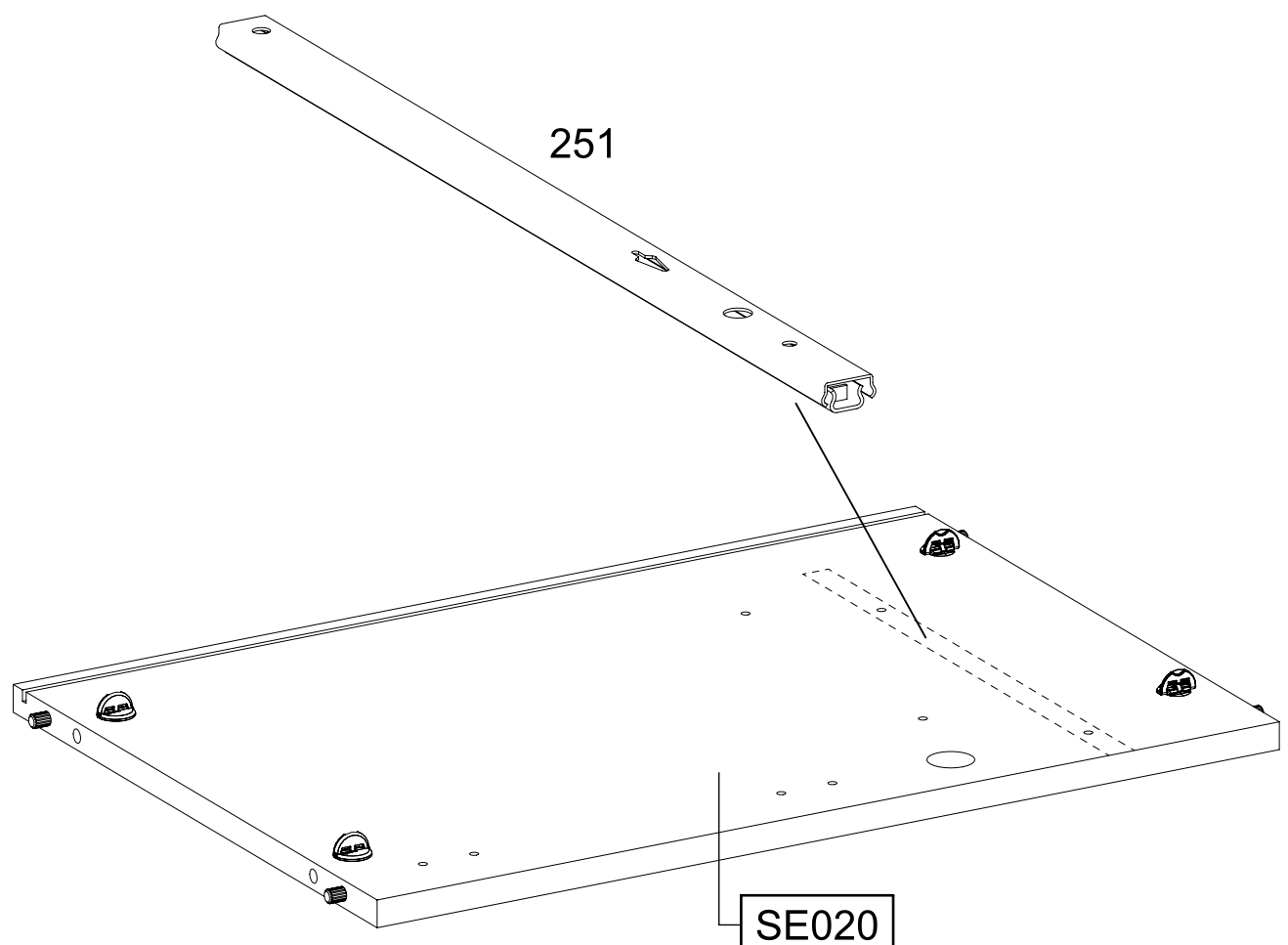
227 1.

251



227 2.

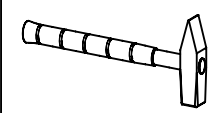
251



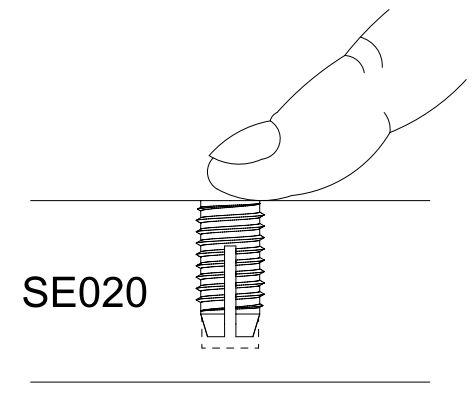
SE020

8

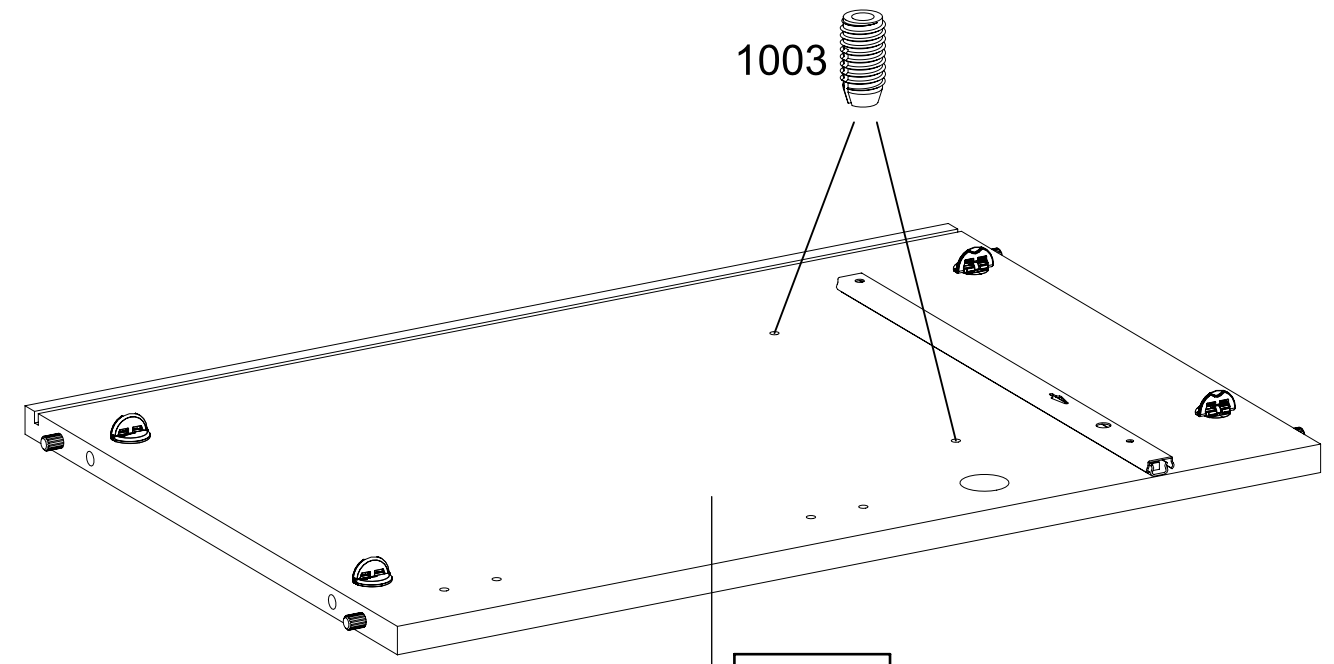
2x 1003 6x12



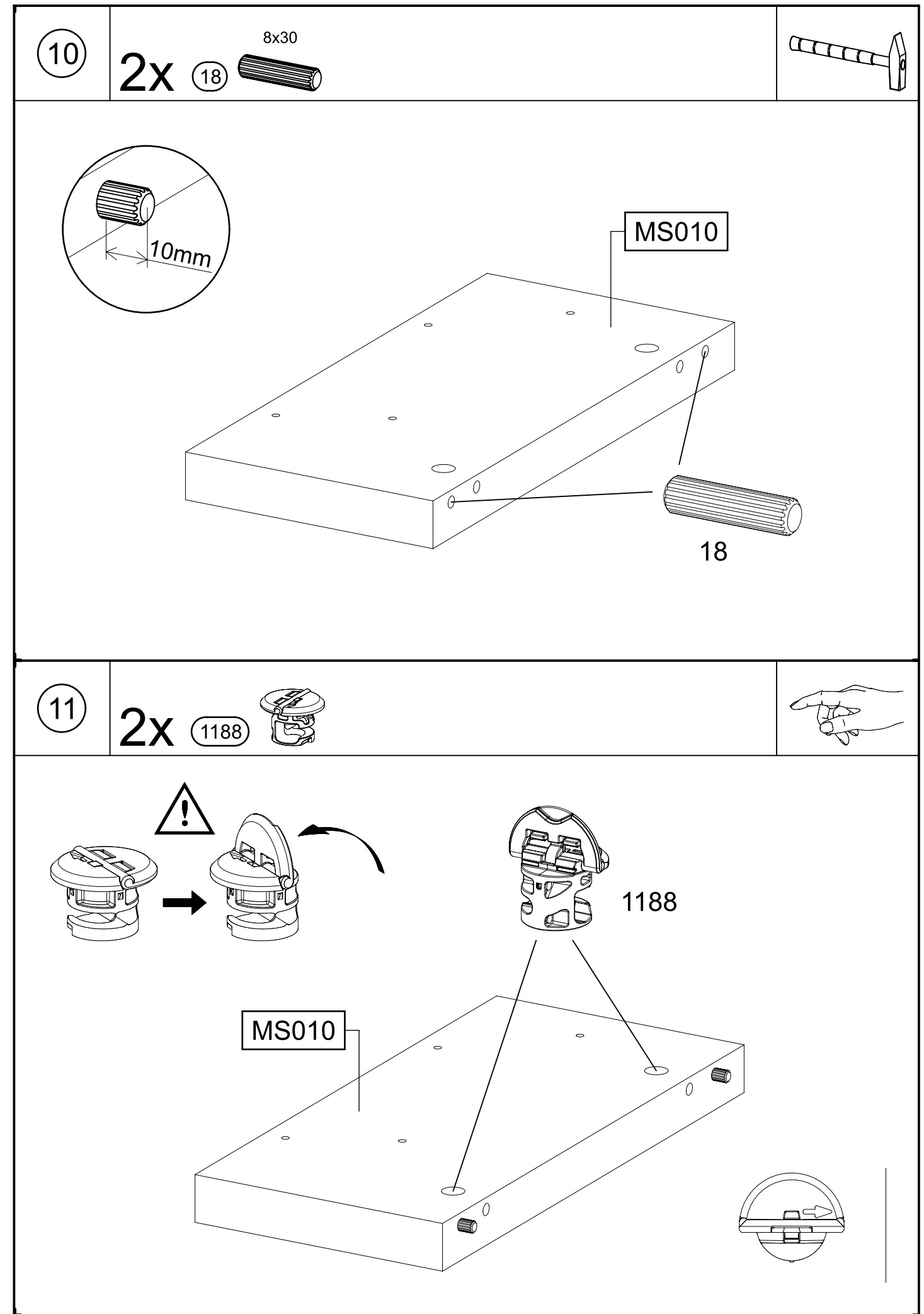
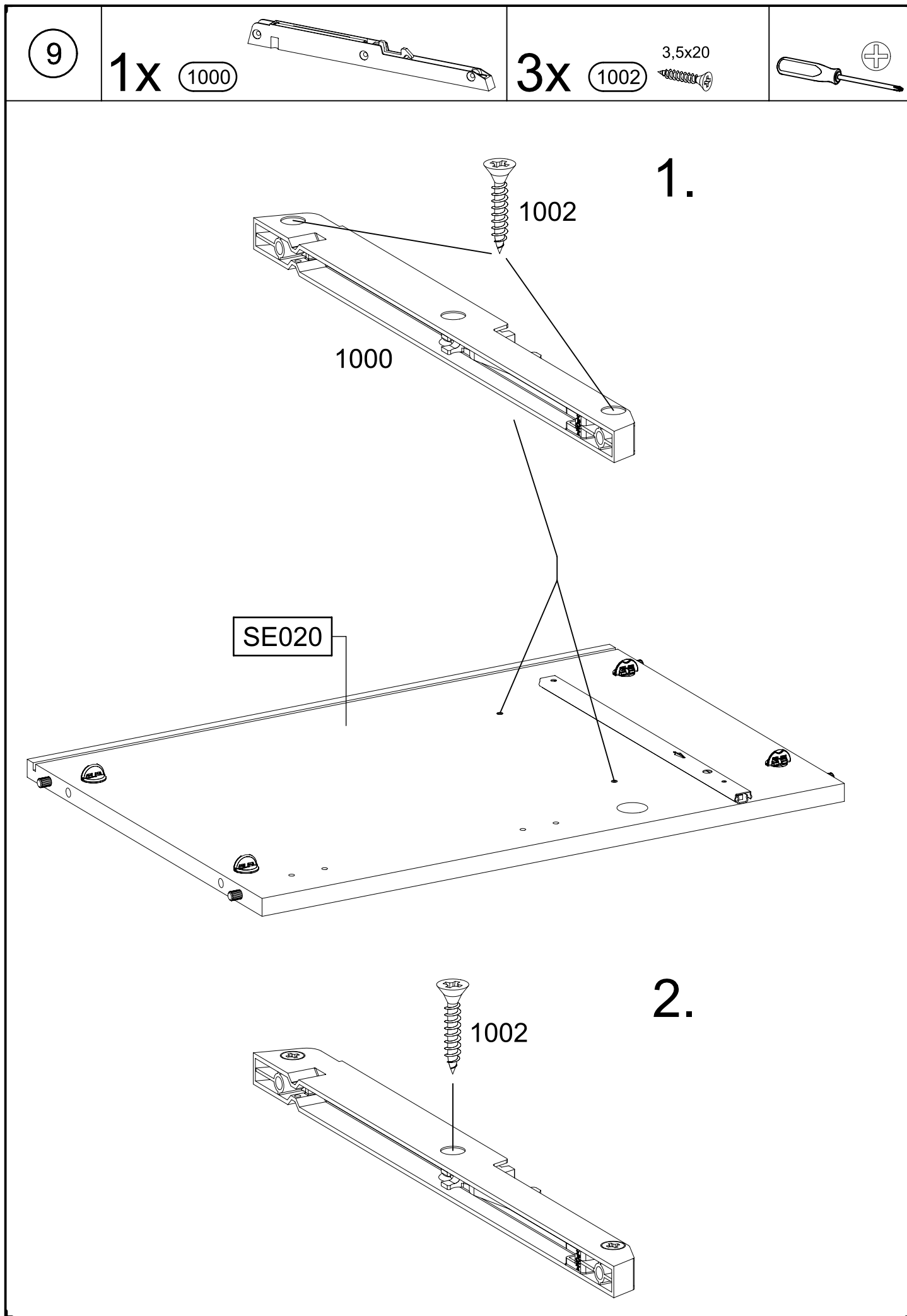
SE020



1003



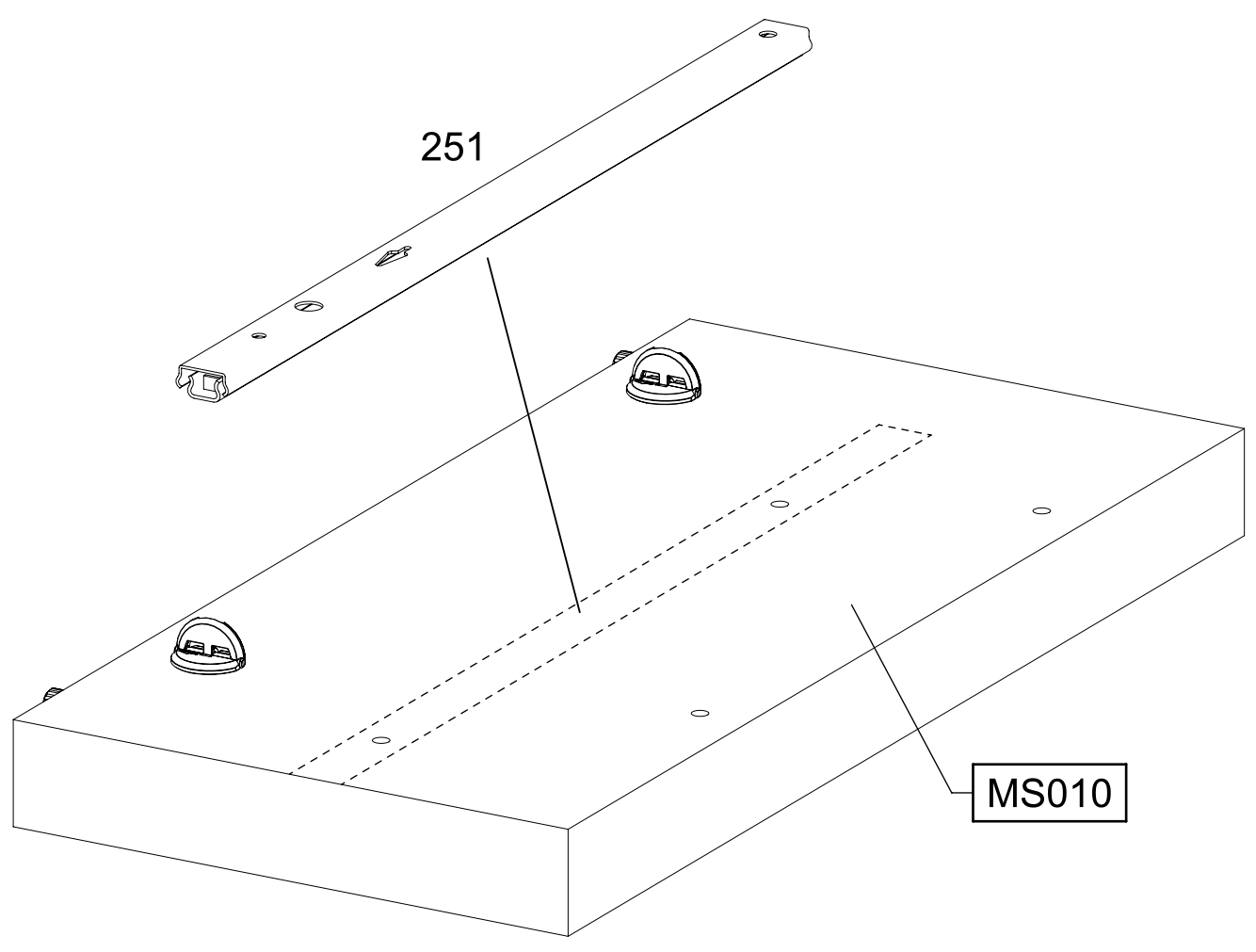
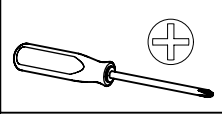
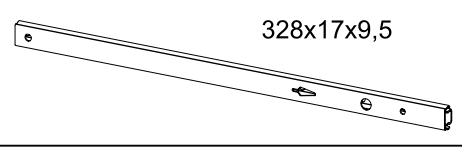
SE020



12

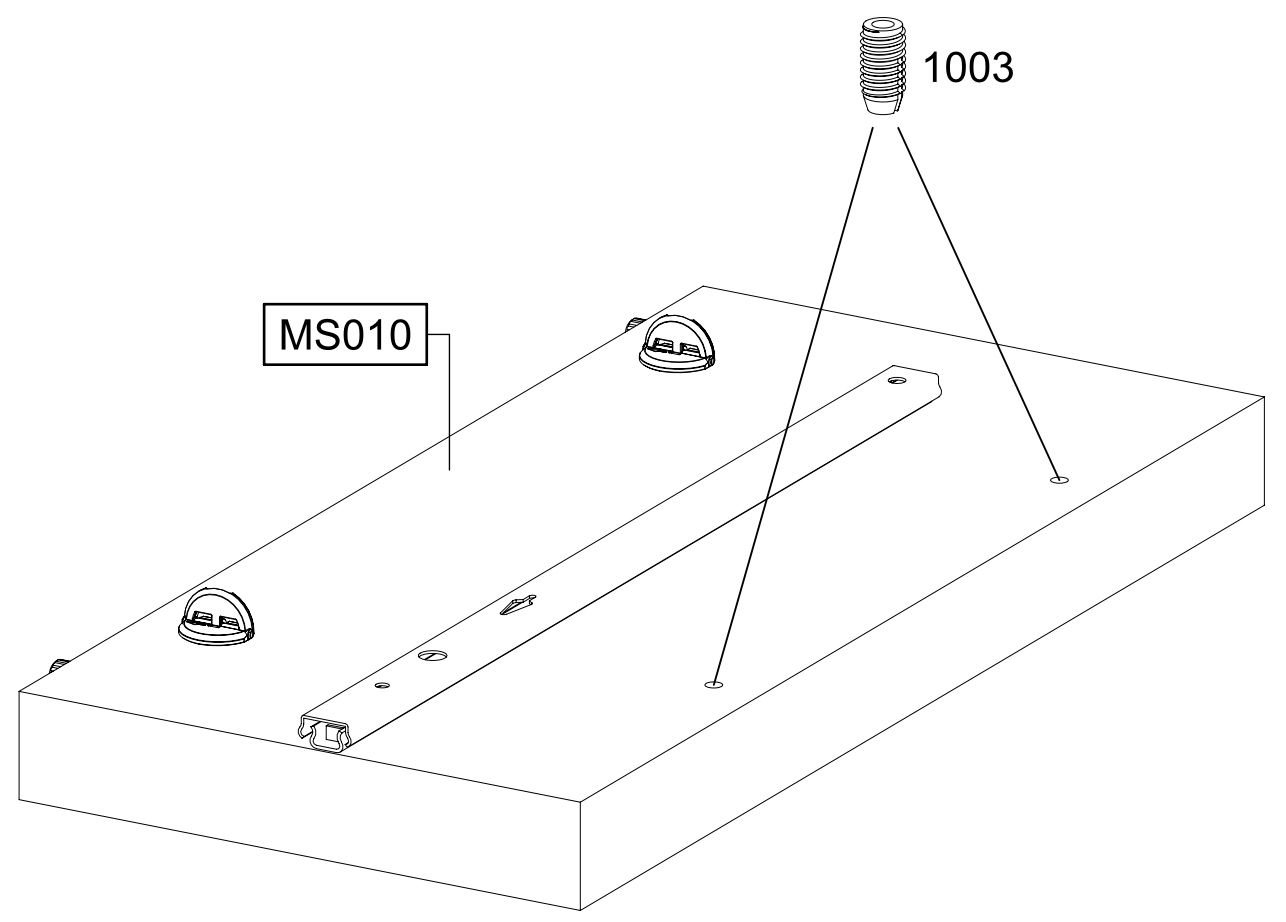
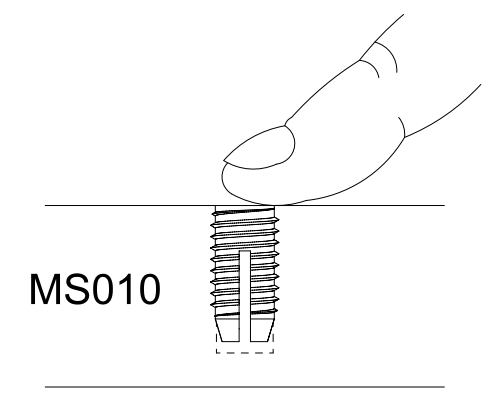
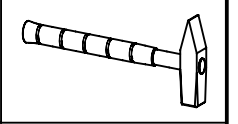
2x 227 6x10,5

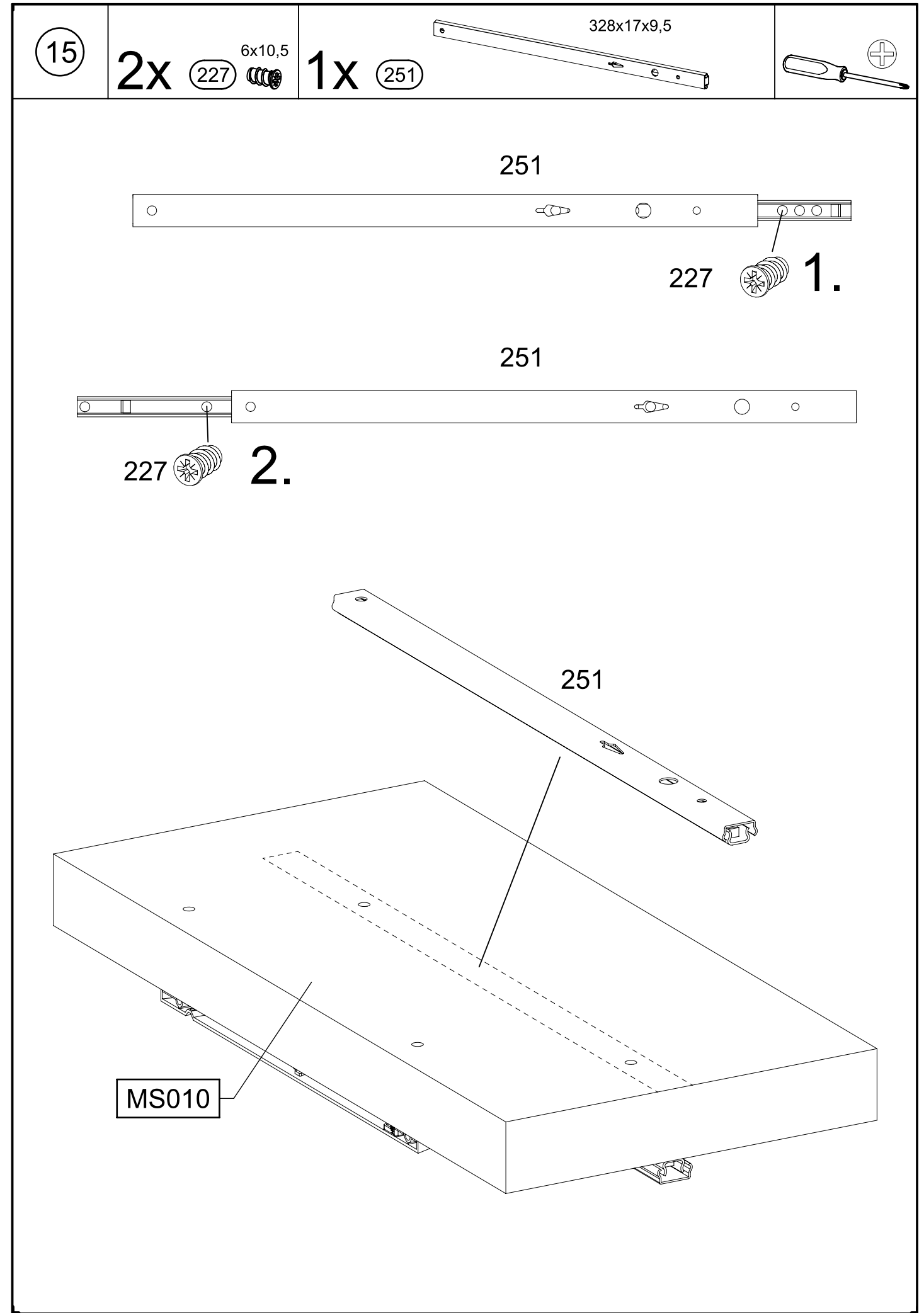
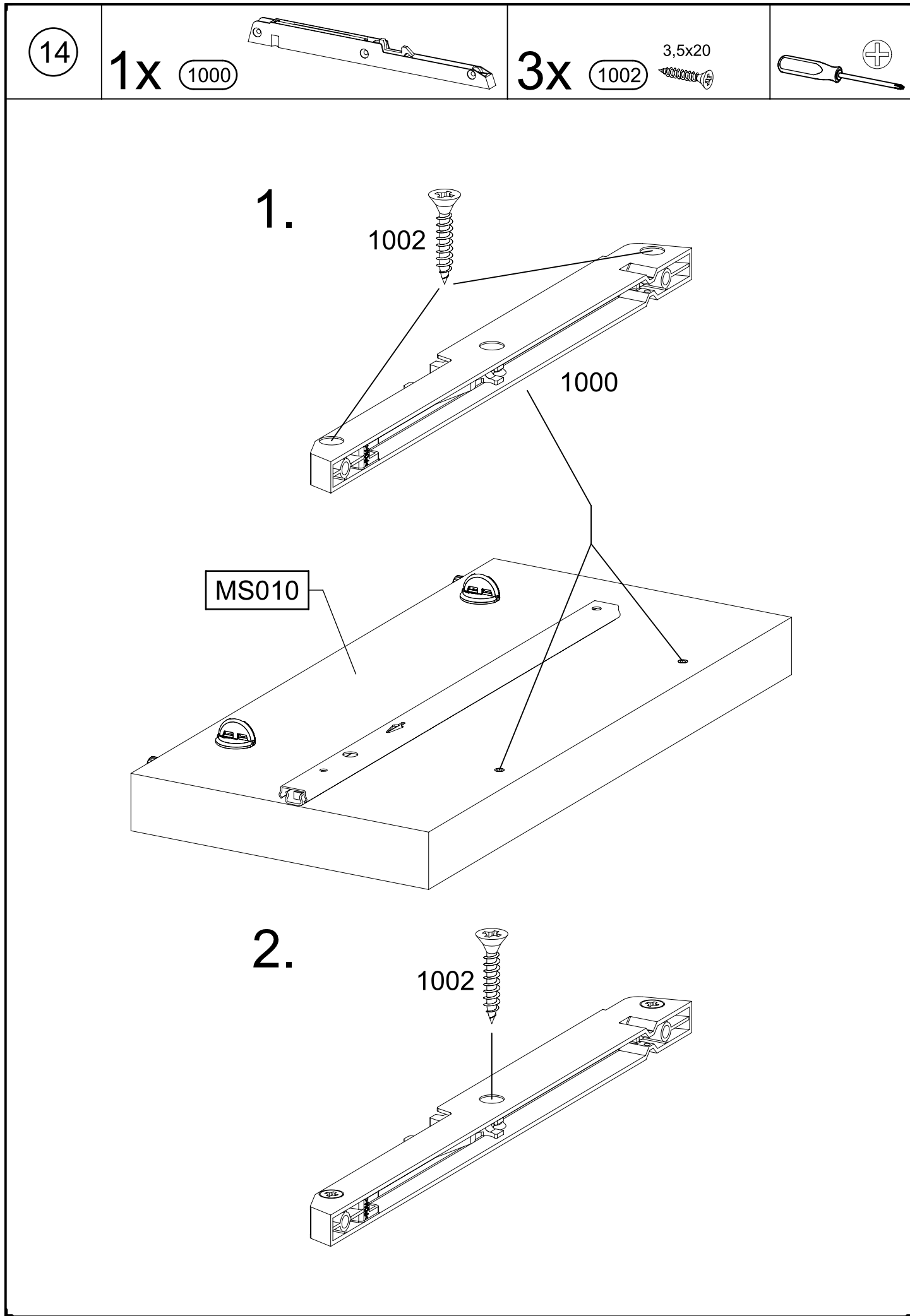
1x 251



13

2x 1003 6x12



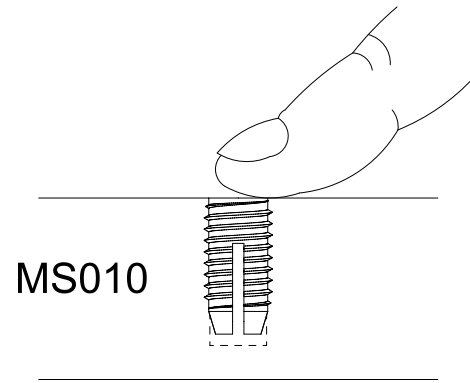
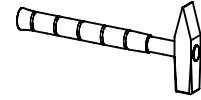


16

2x

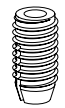
1003

6x12

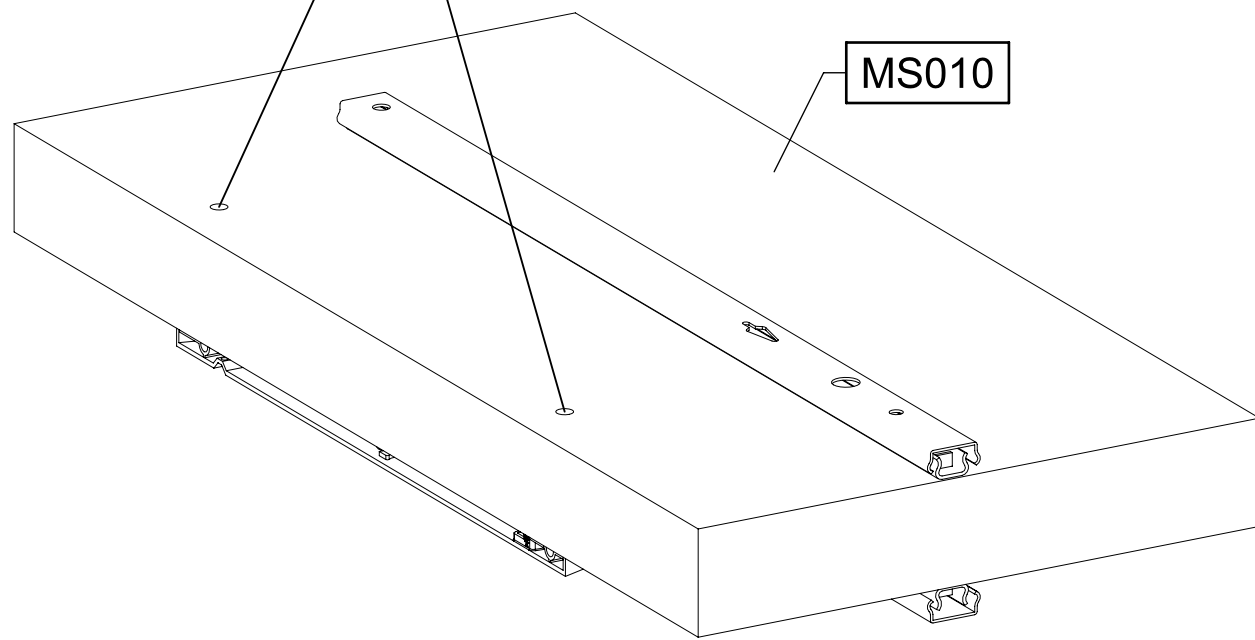


MS010

1003



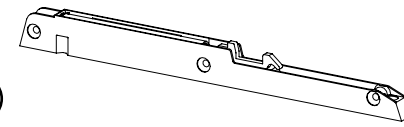
MS010



17

1x

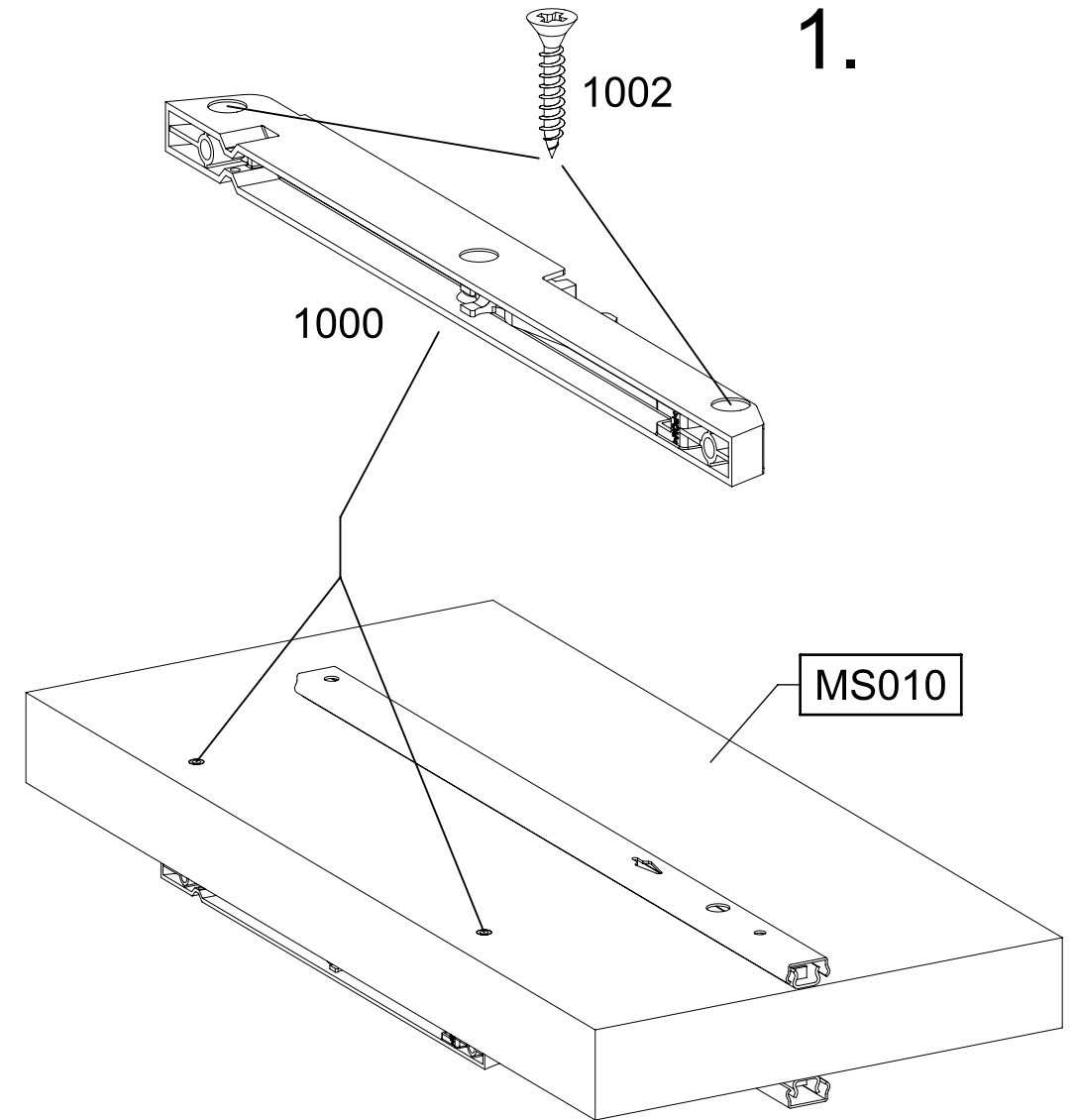
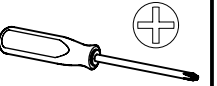
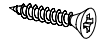
1000



3x

1002

3,5x20

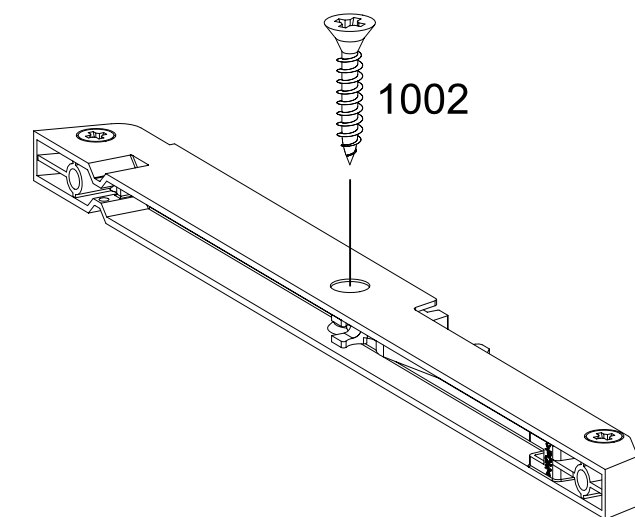


1.

1002

1000

MS010

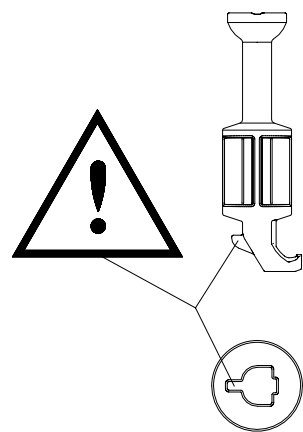
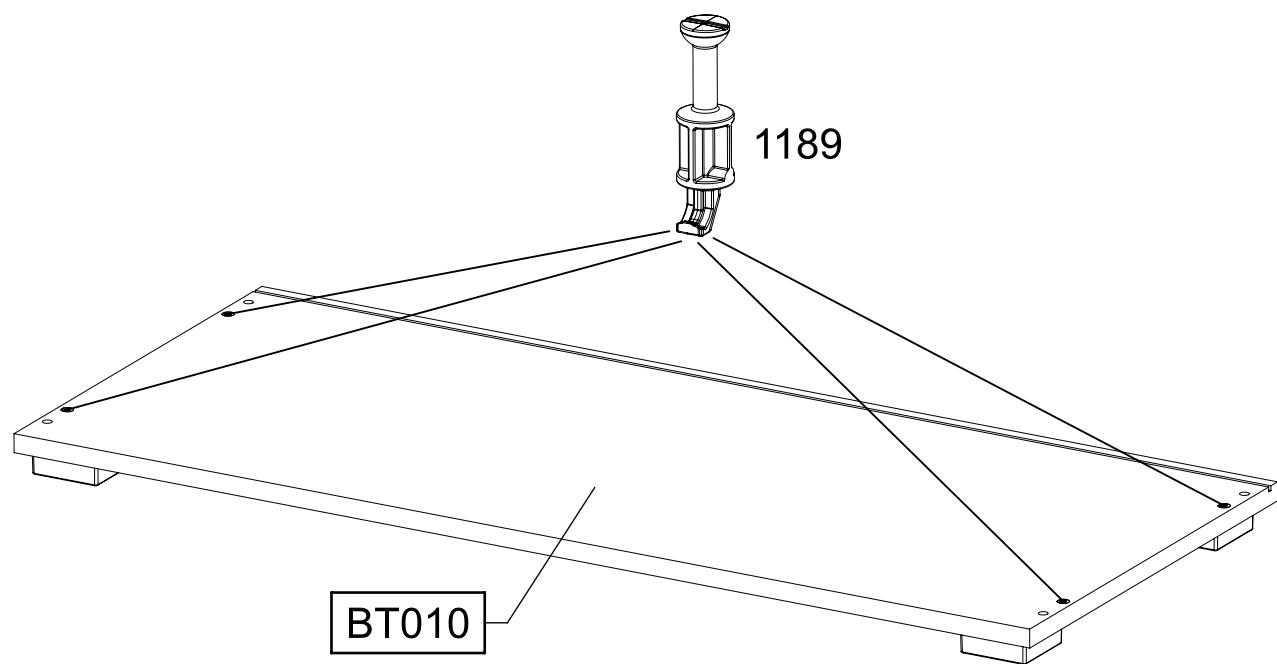
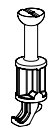


2.

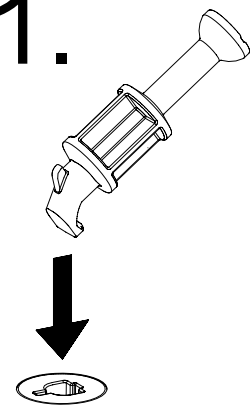
1002

18

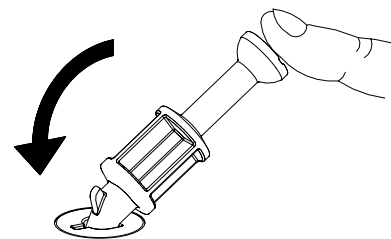
4x 1189



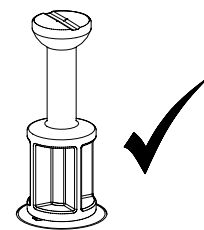
1.



2.



3.

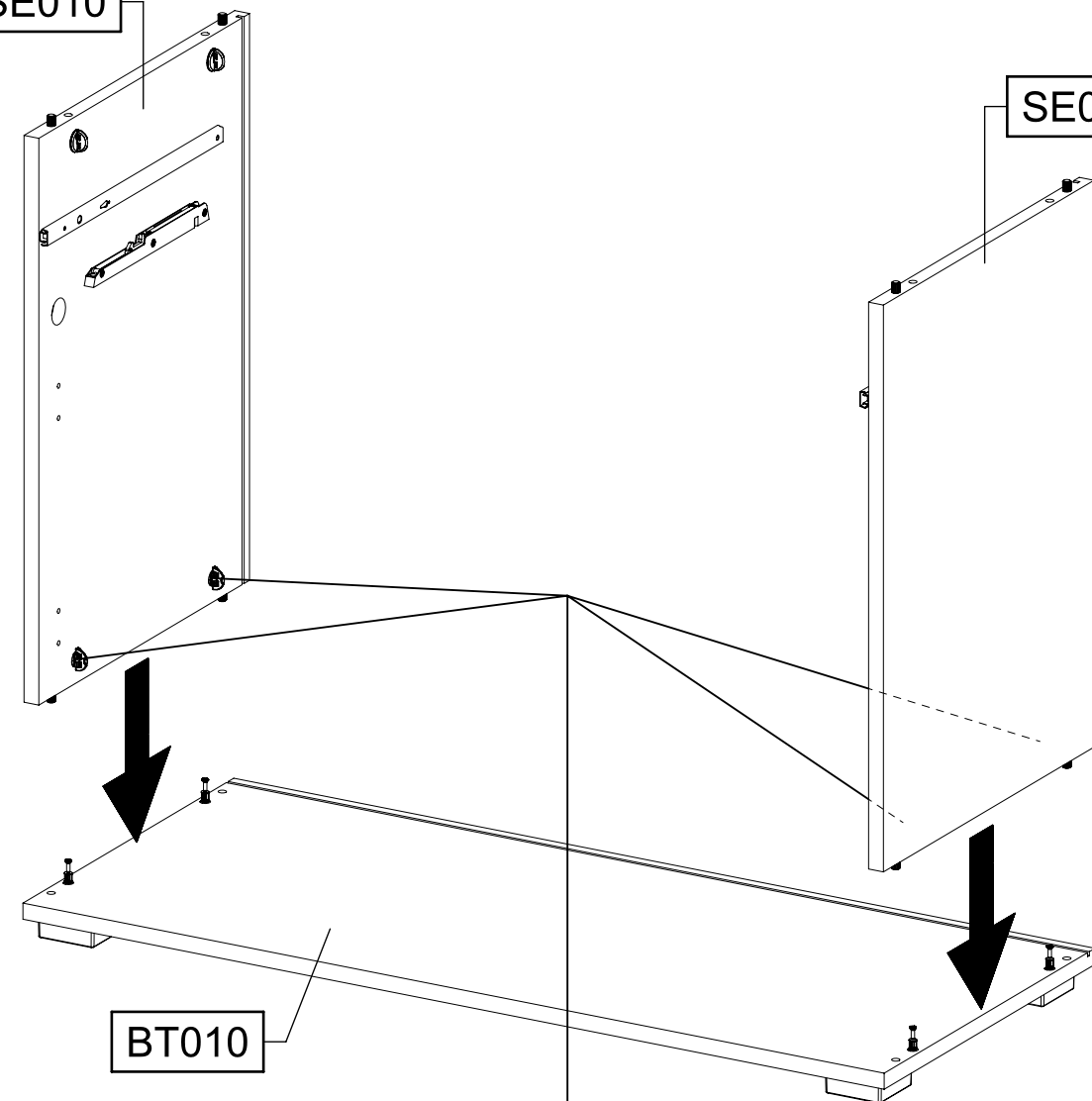


19

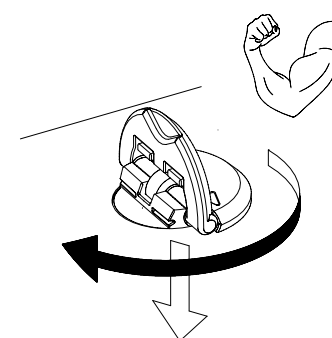


SE010

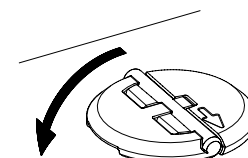
SE020



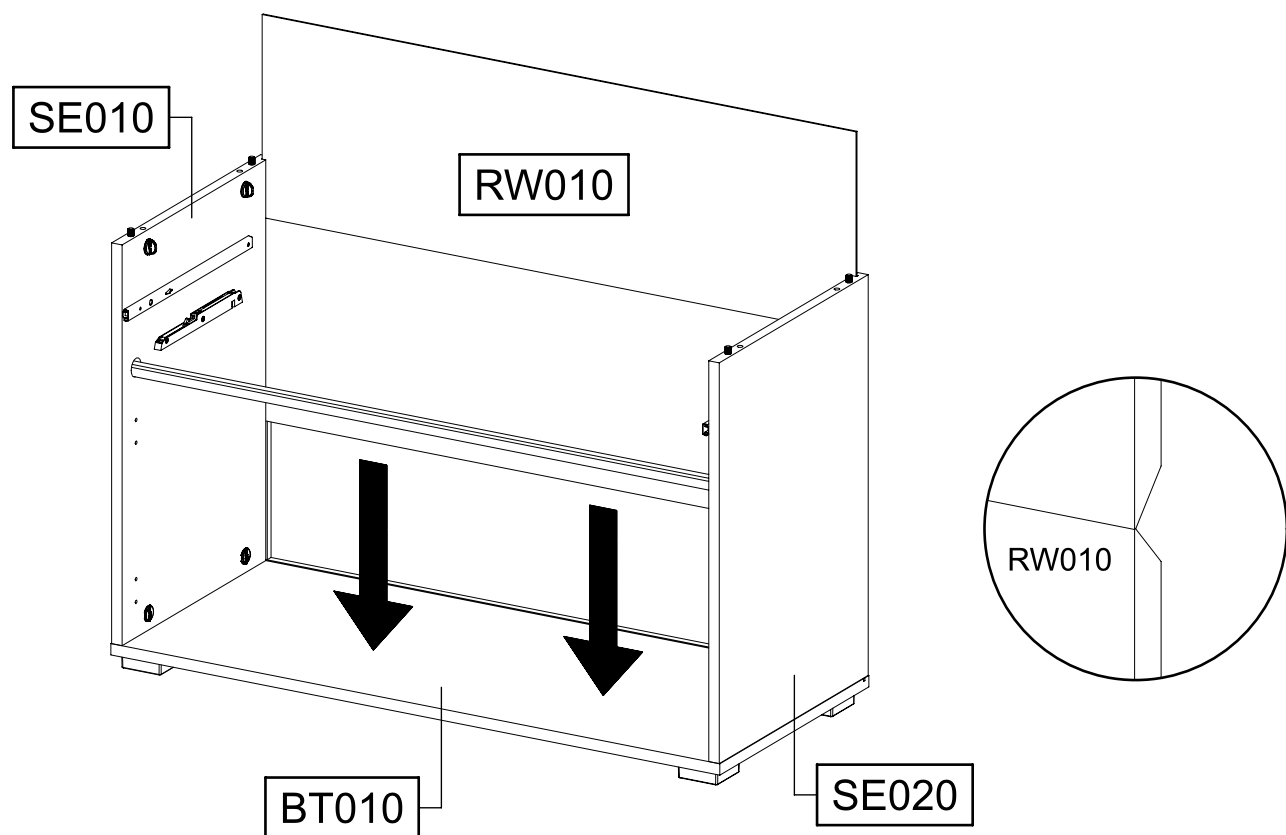
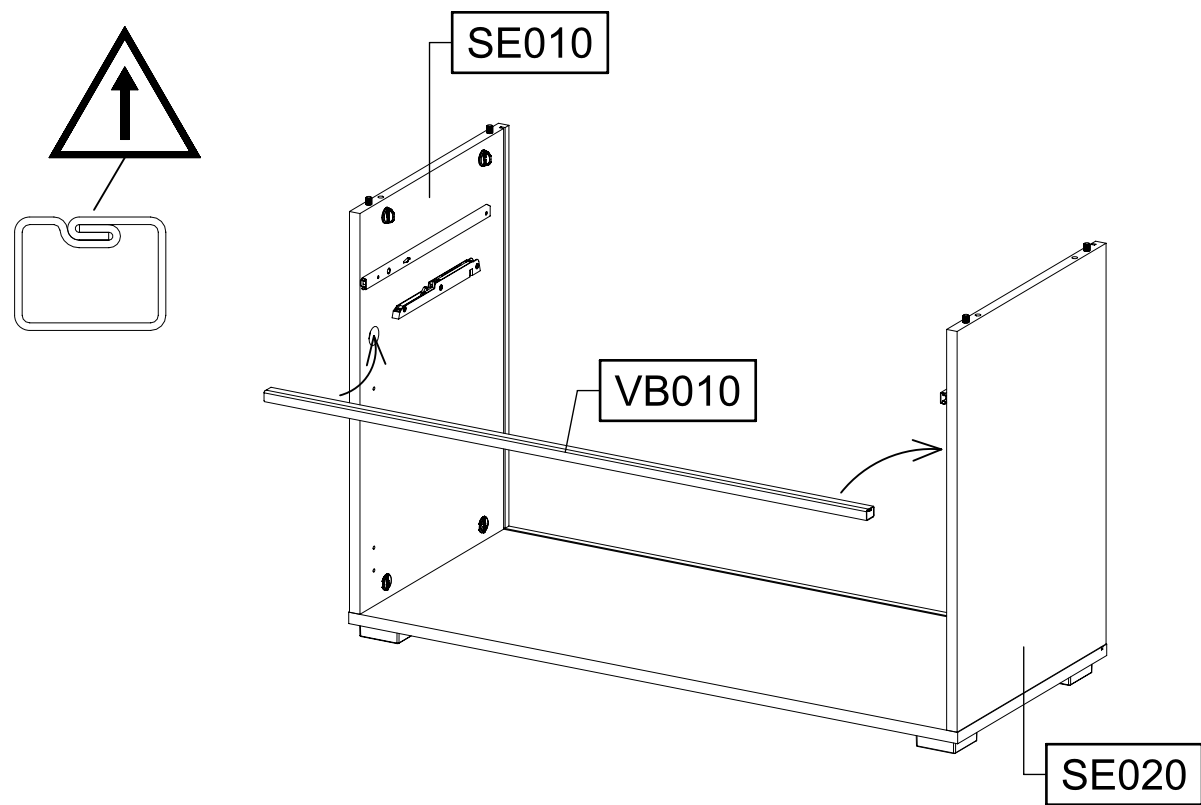
1.



2.

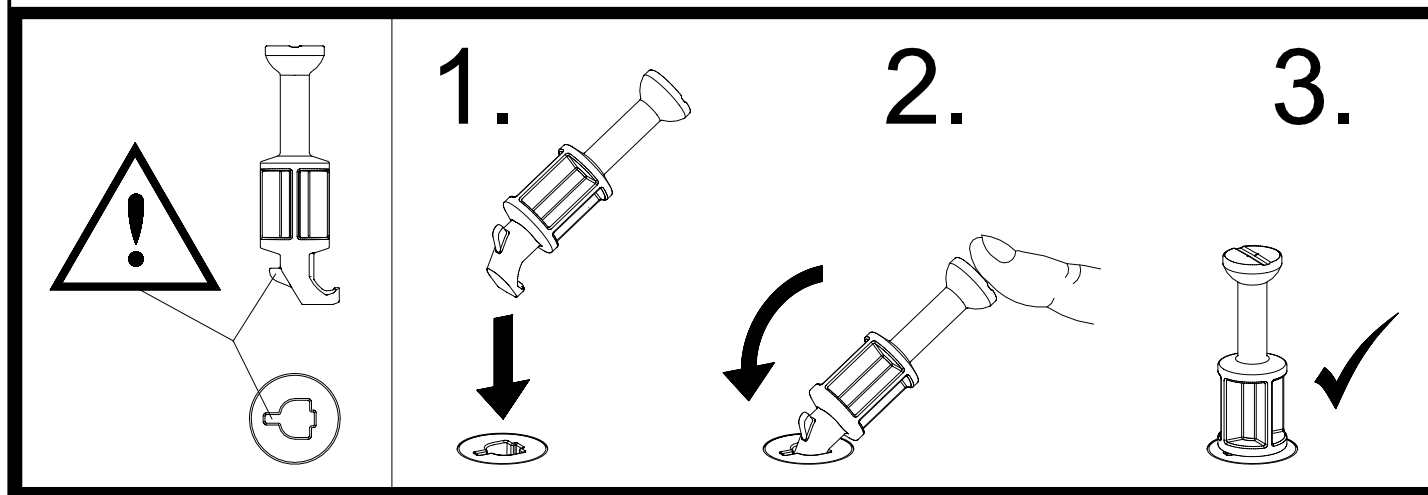
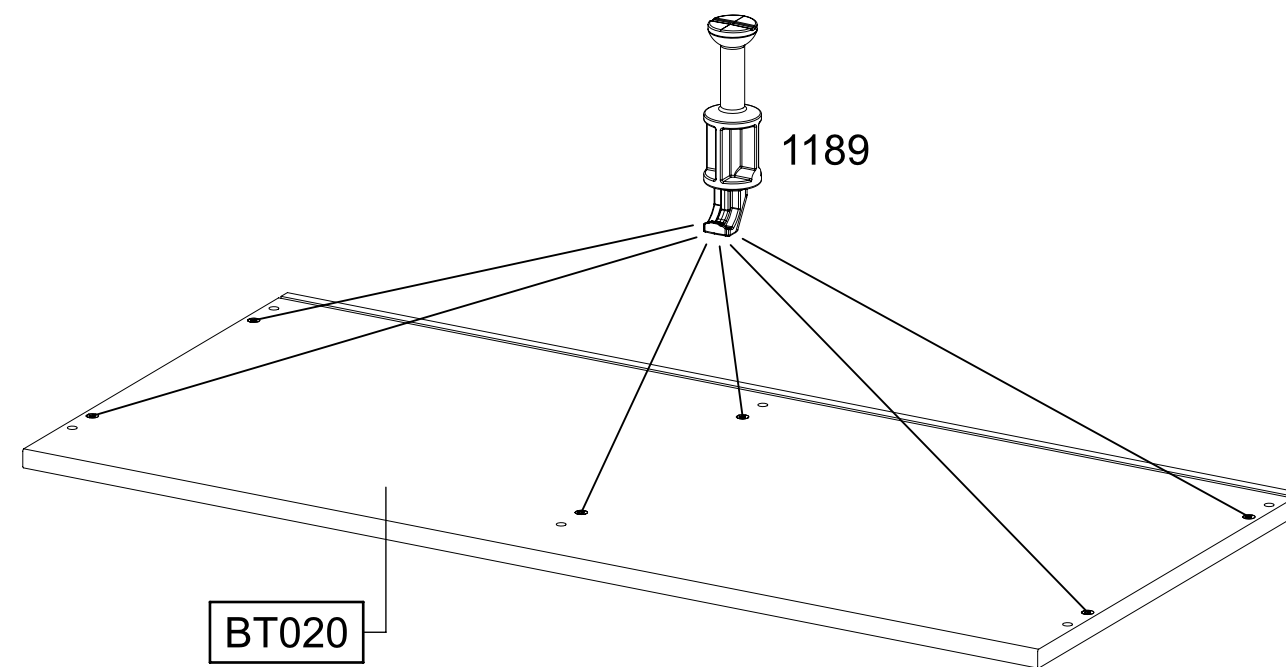


20

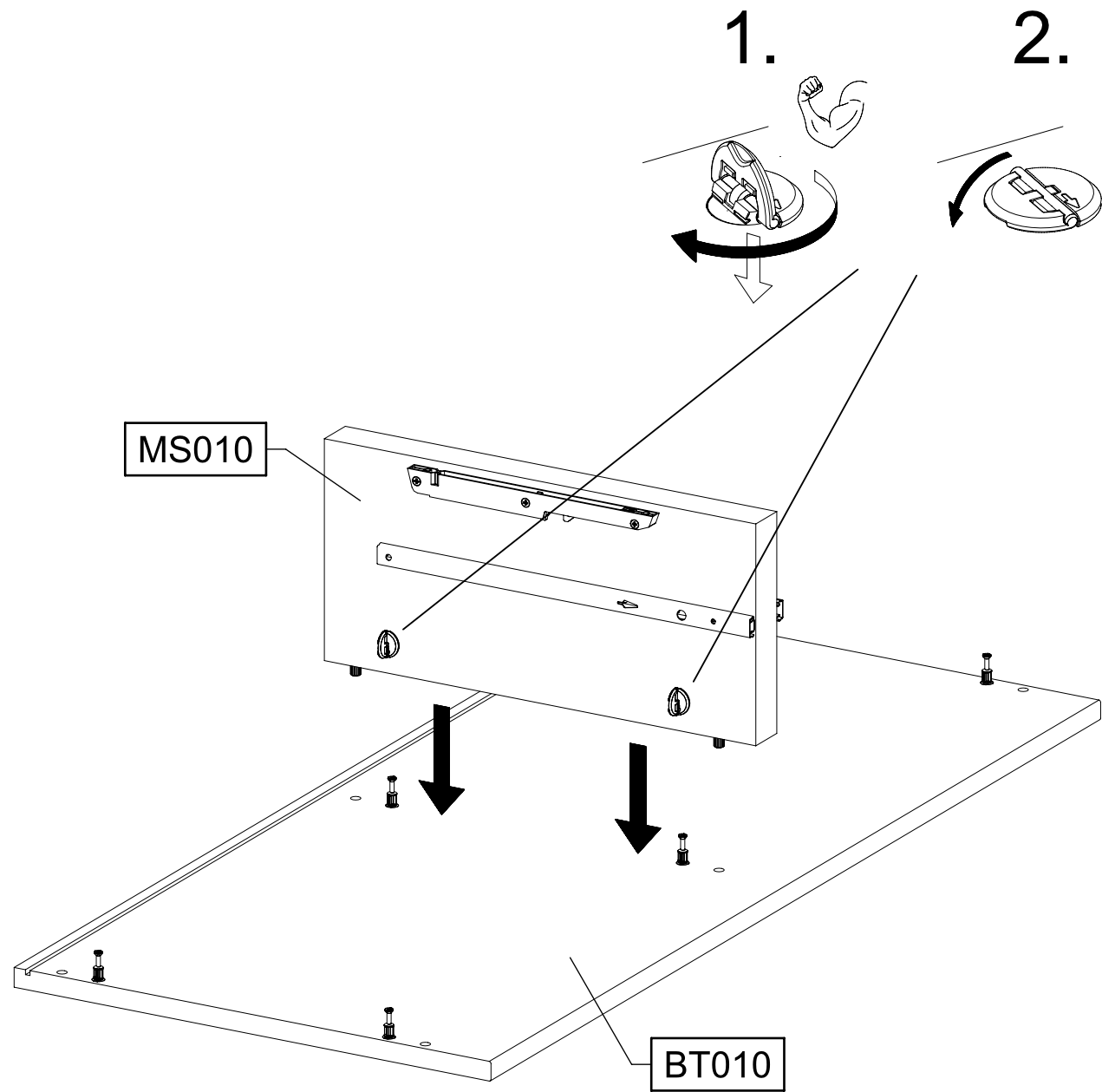


21

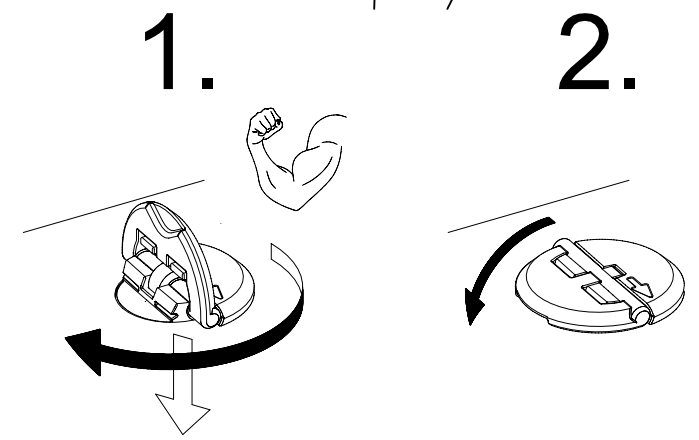
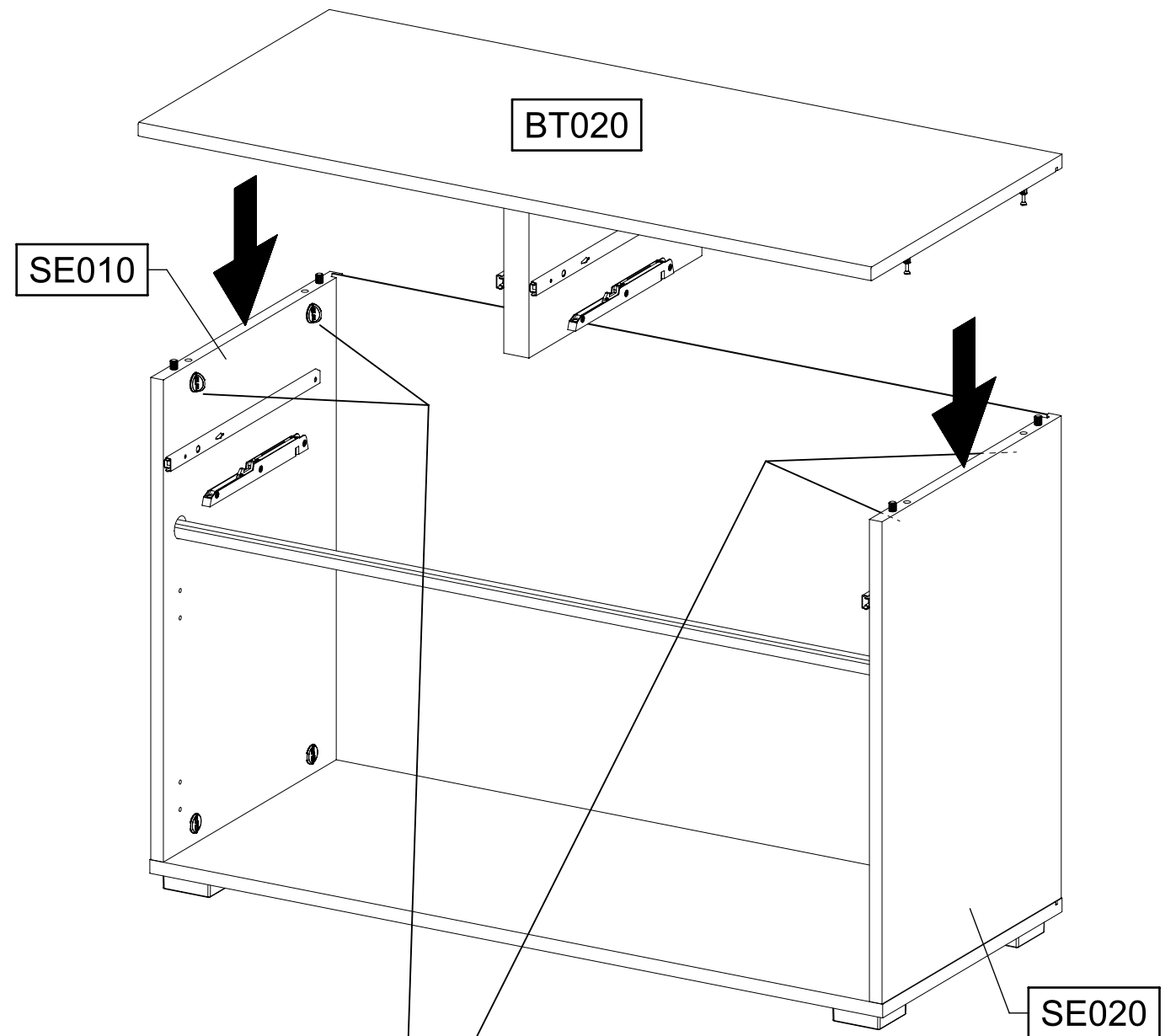
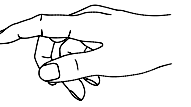
6x 1189



22



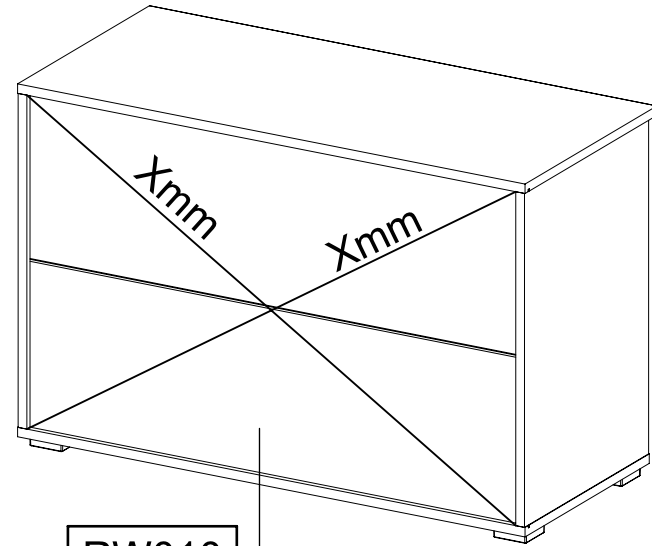
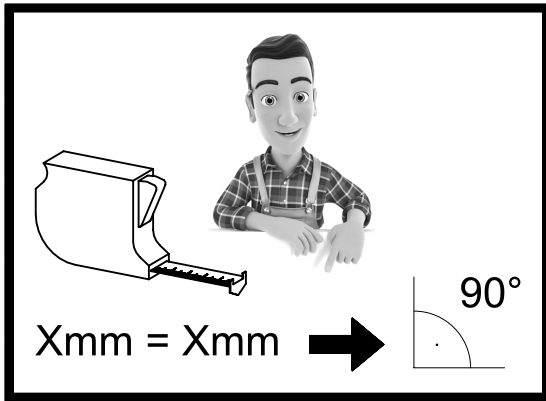
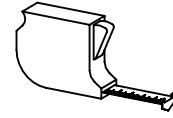
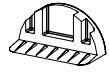
23



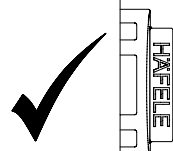
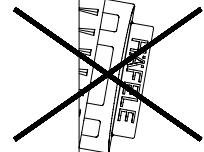
24

4x

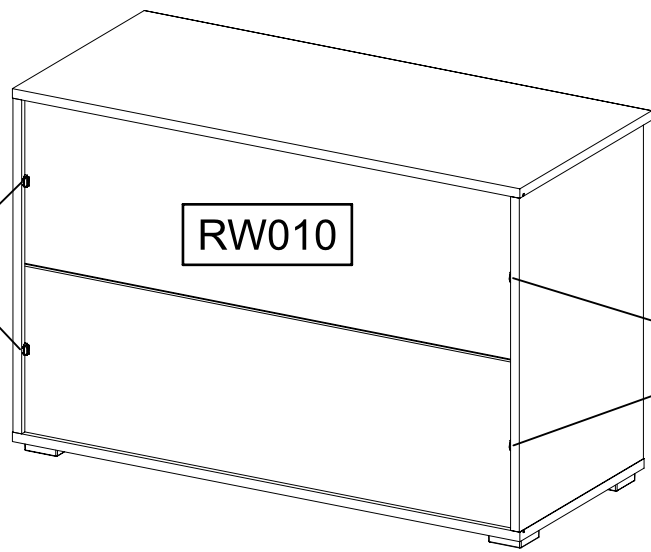
1090



RW010



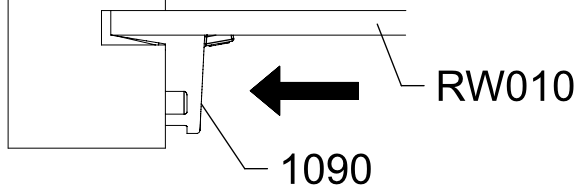
1090



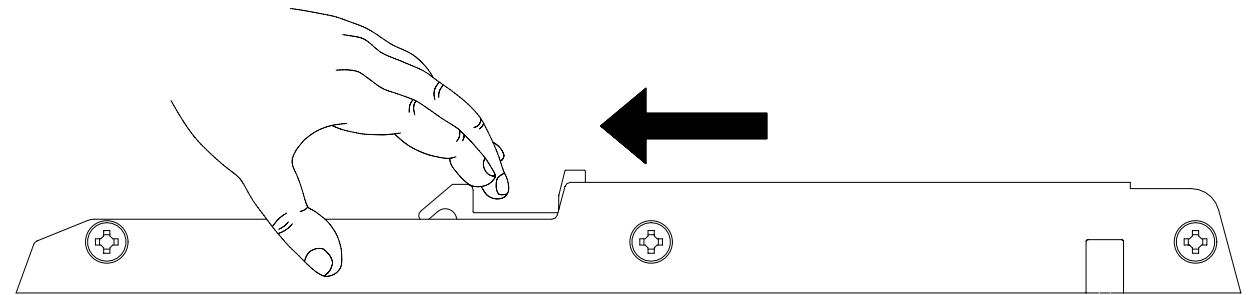
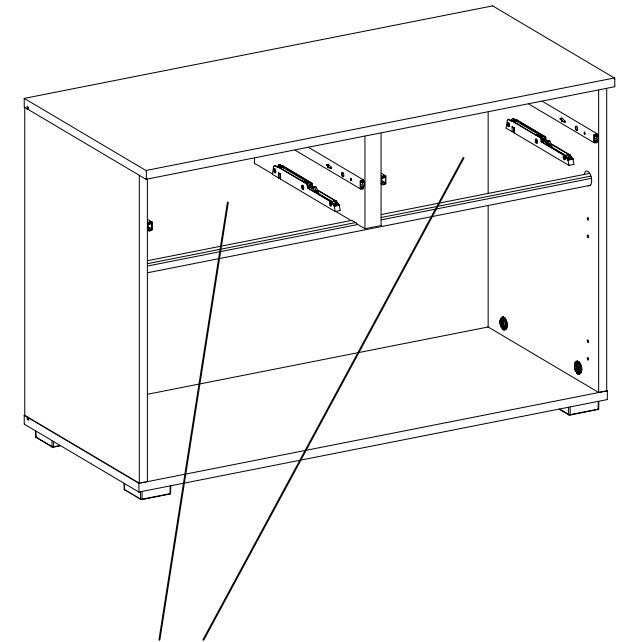
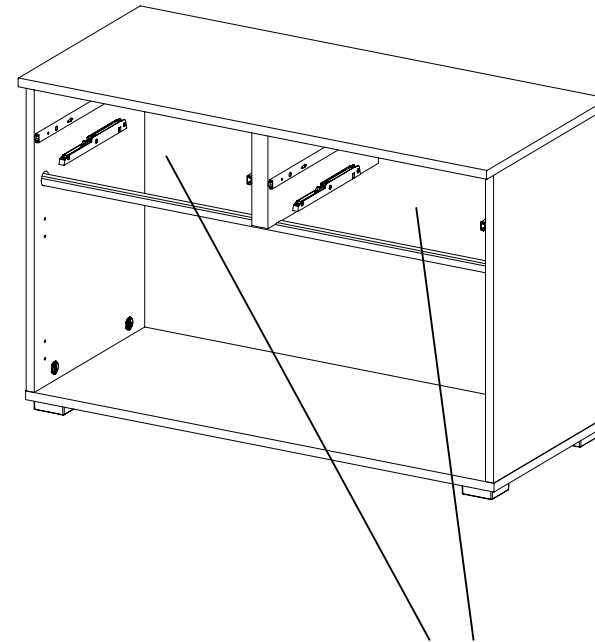
RW010

1090

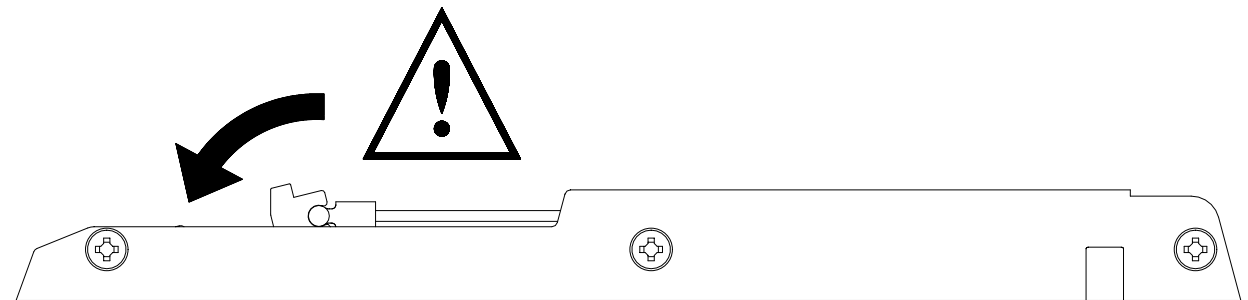
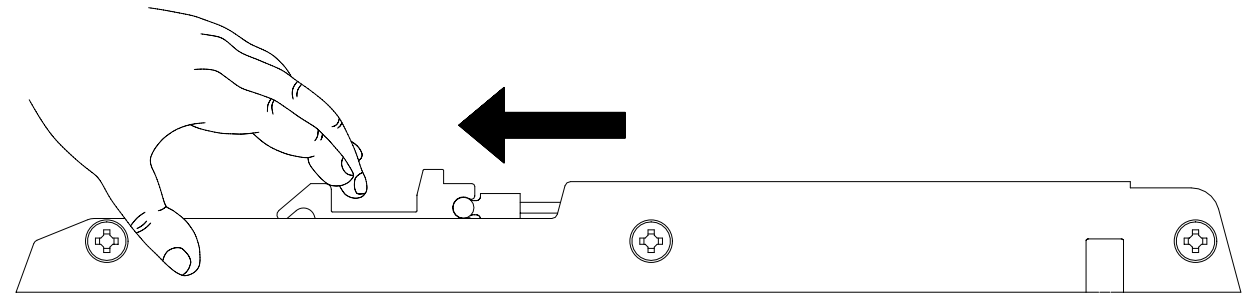
SE010
SE020



25



1000



26

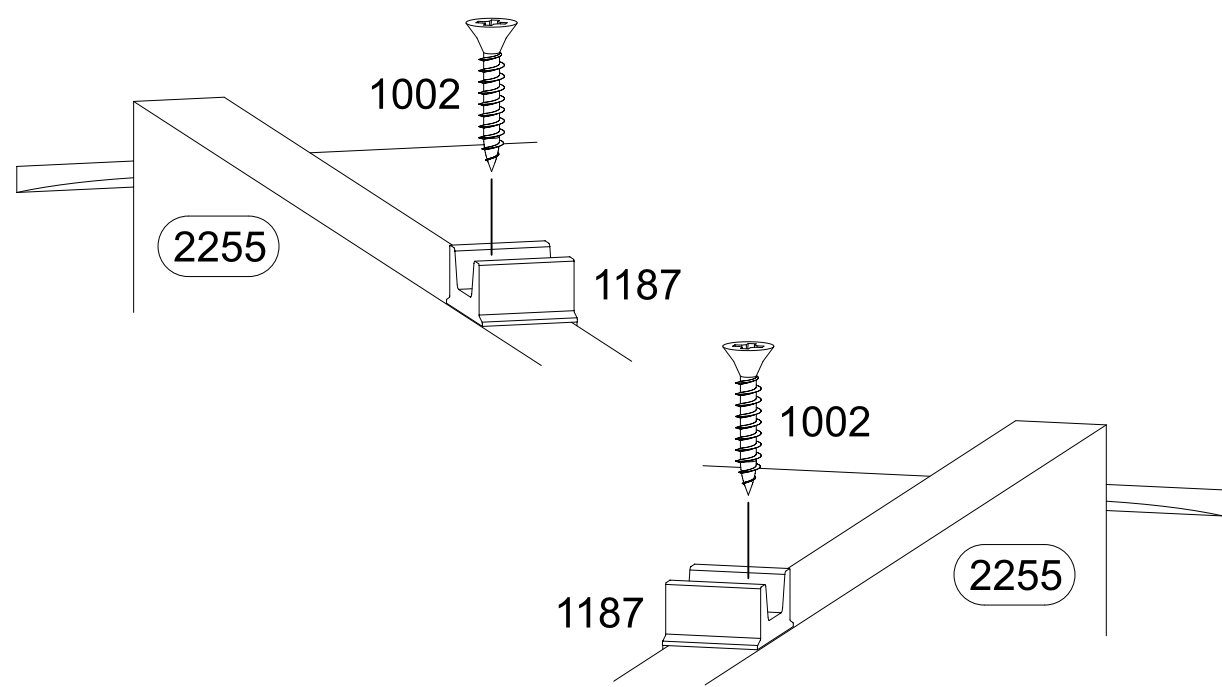
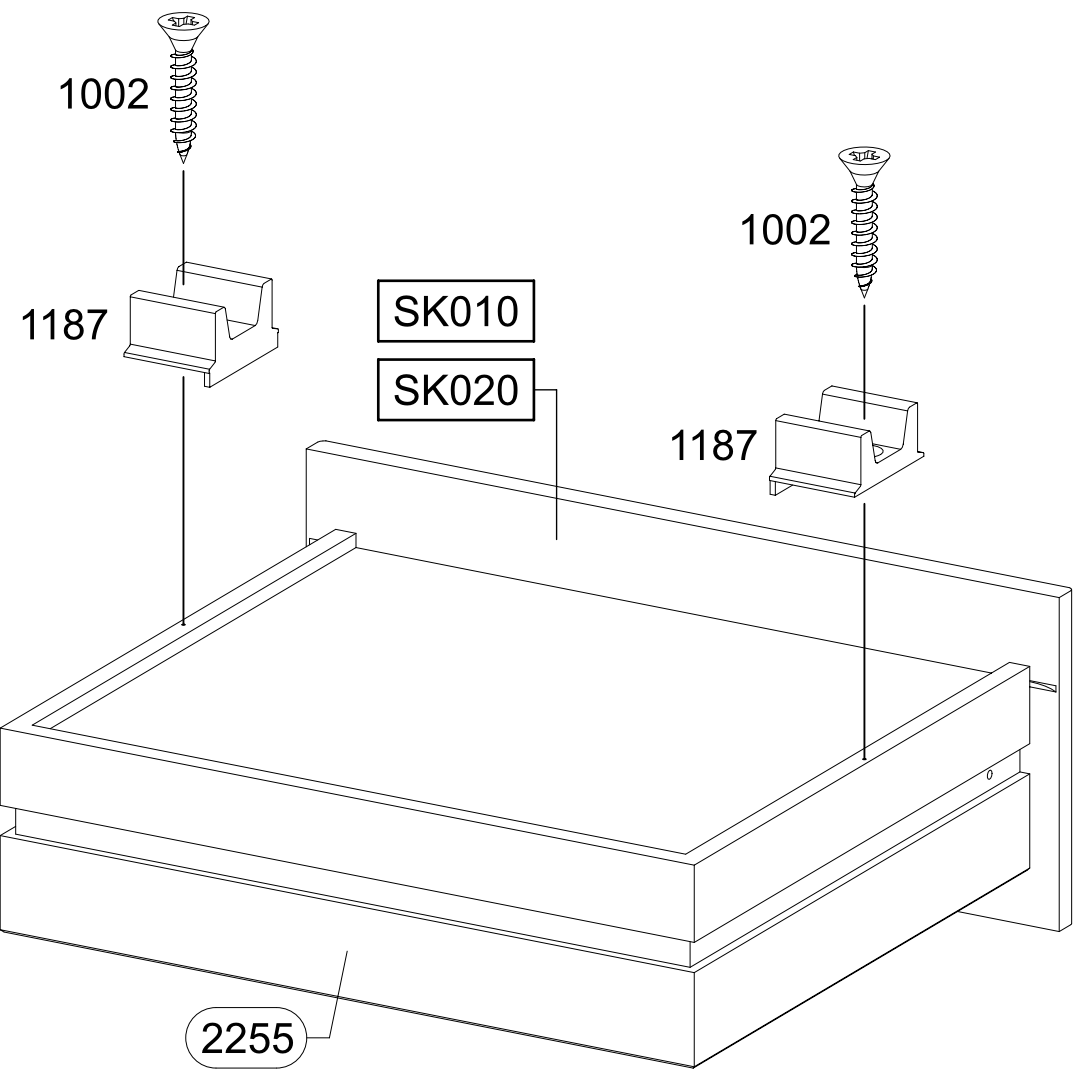
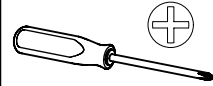
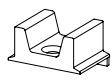
4x

1002



4x

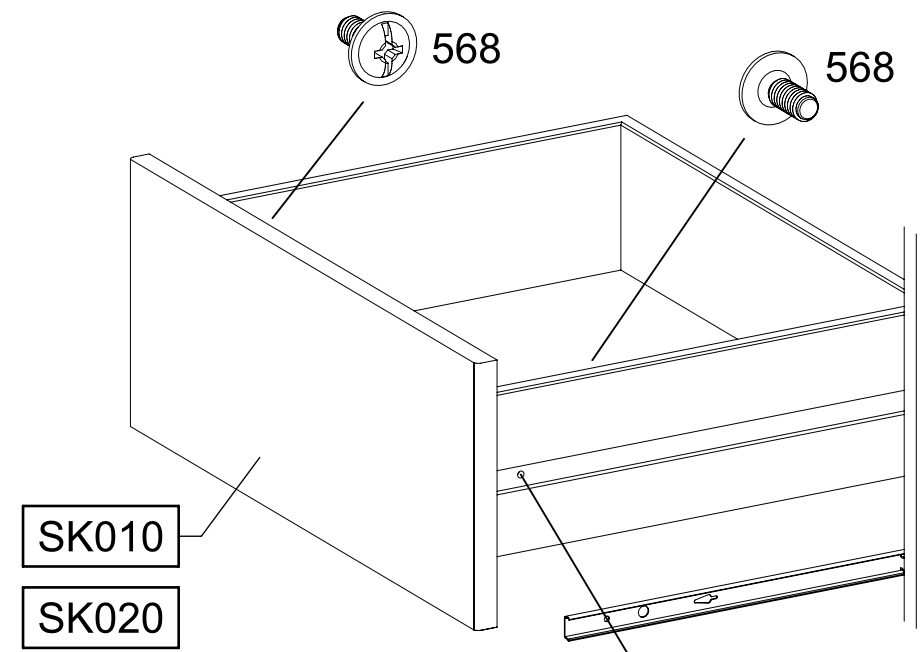
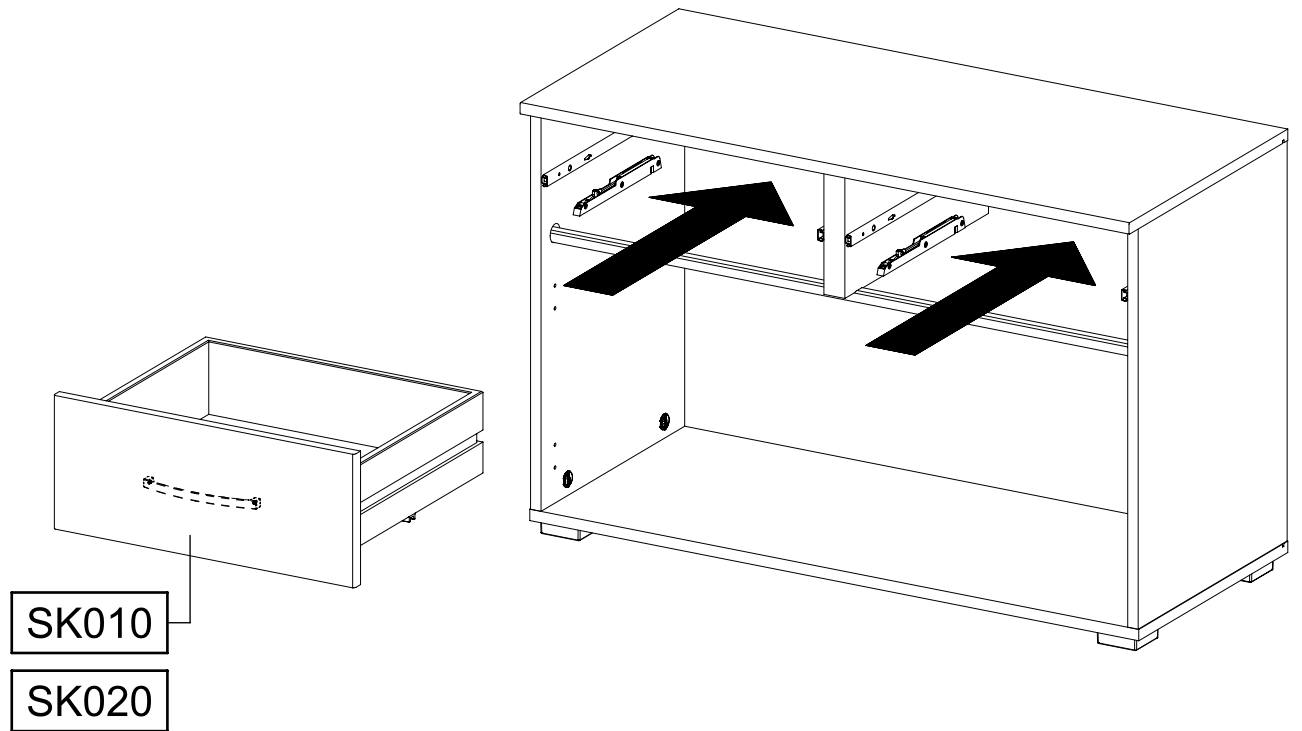
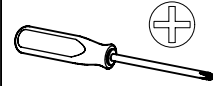
1187



27

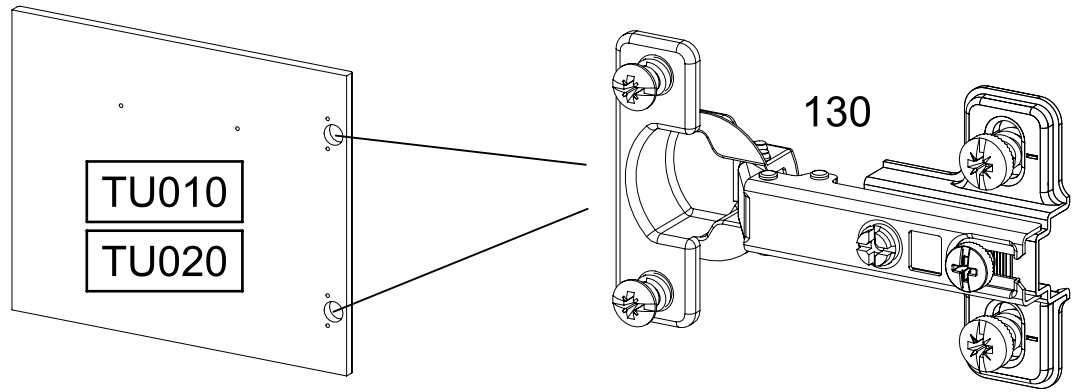
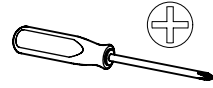
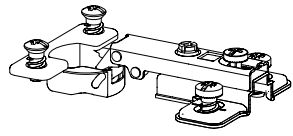
4x

568



28

4x 130



TU010

TU020

130

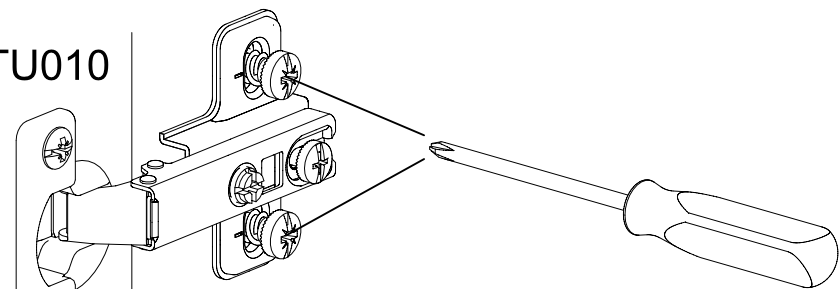
TU010

SE020

SE010

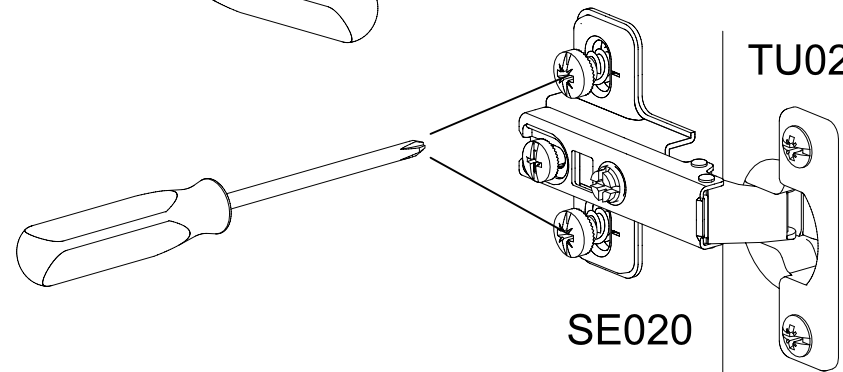
TU020

TU010



SE010

TU020



SE020

29

