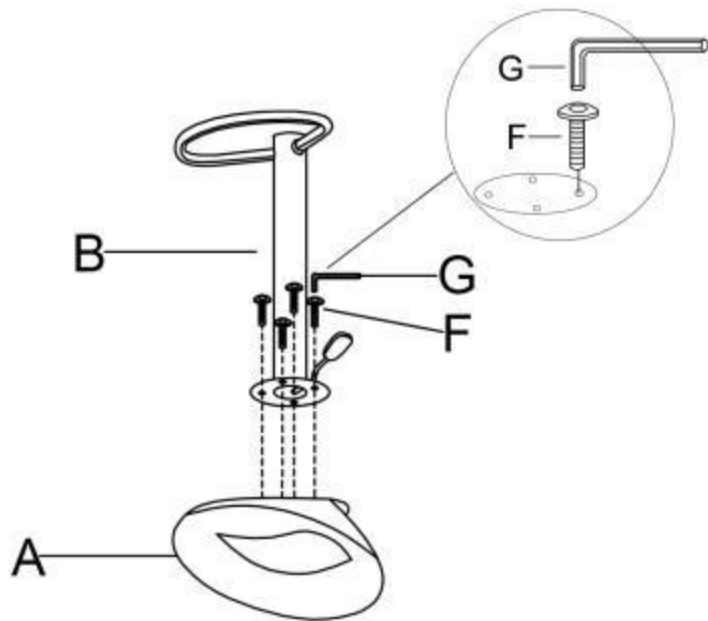
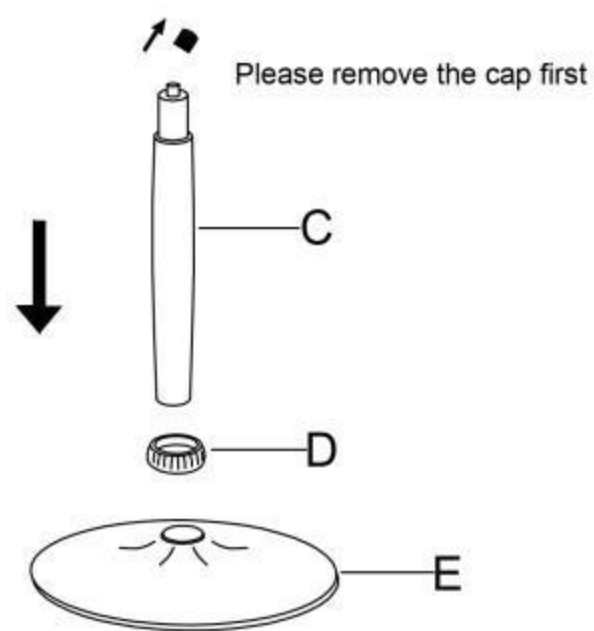


H-102

1

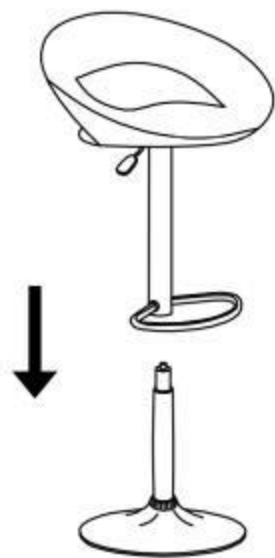


2

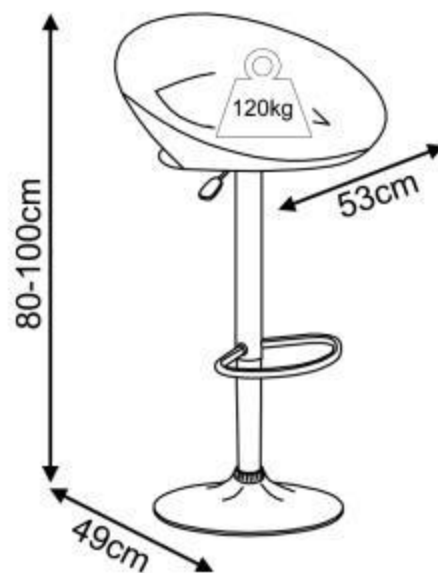


A		X1
B		X1
C		X1
D		X1
E		X1
F		X4
G		X1

3



4



max. 120 kg