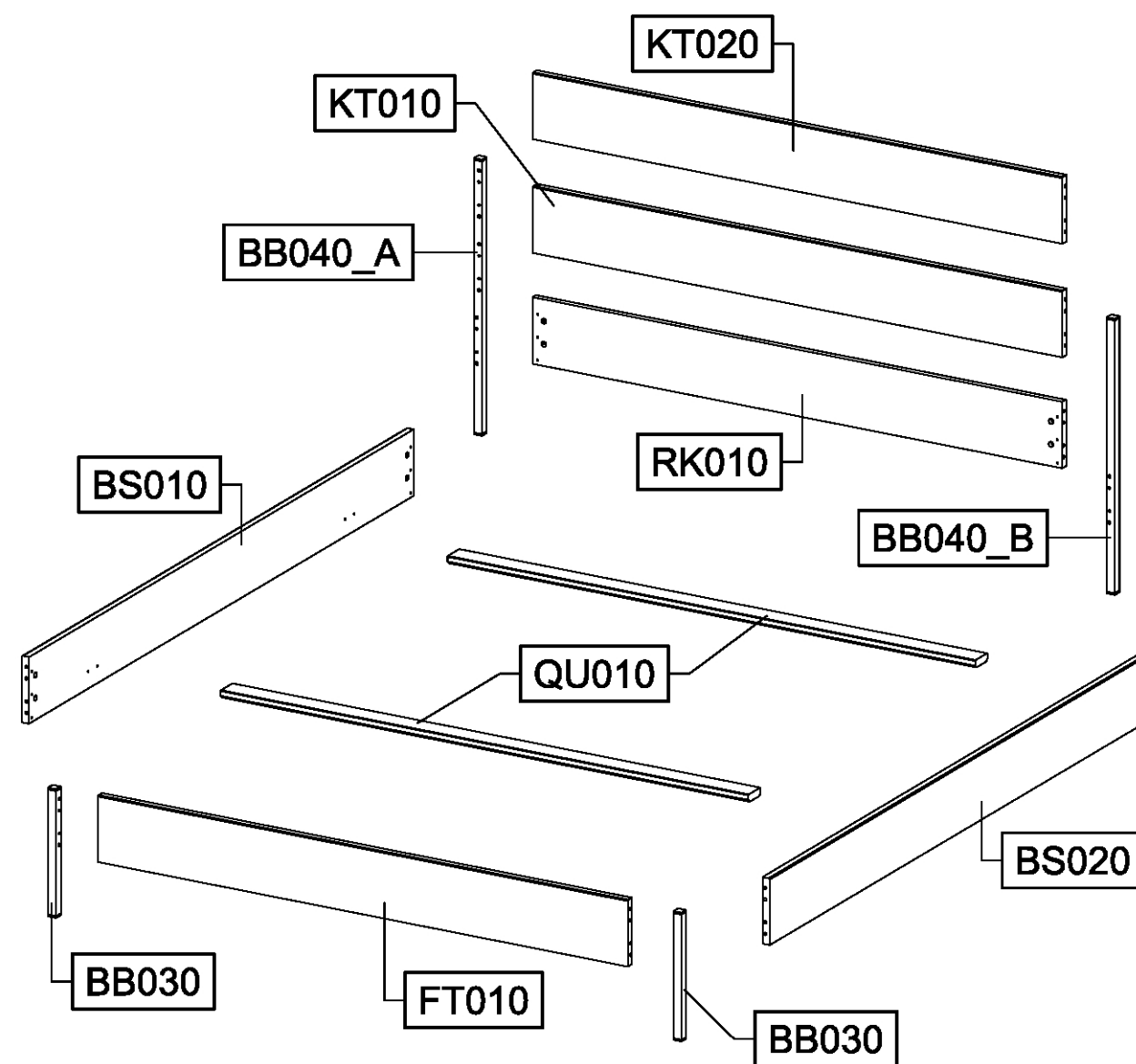
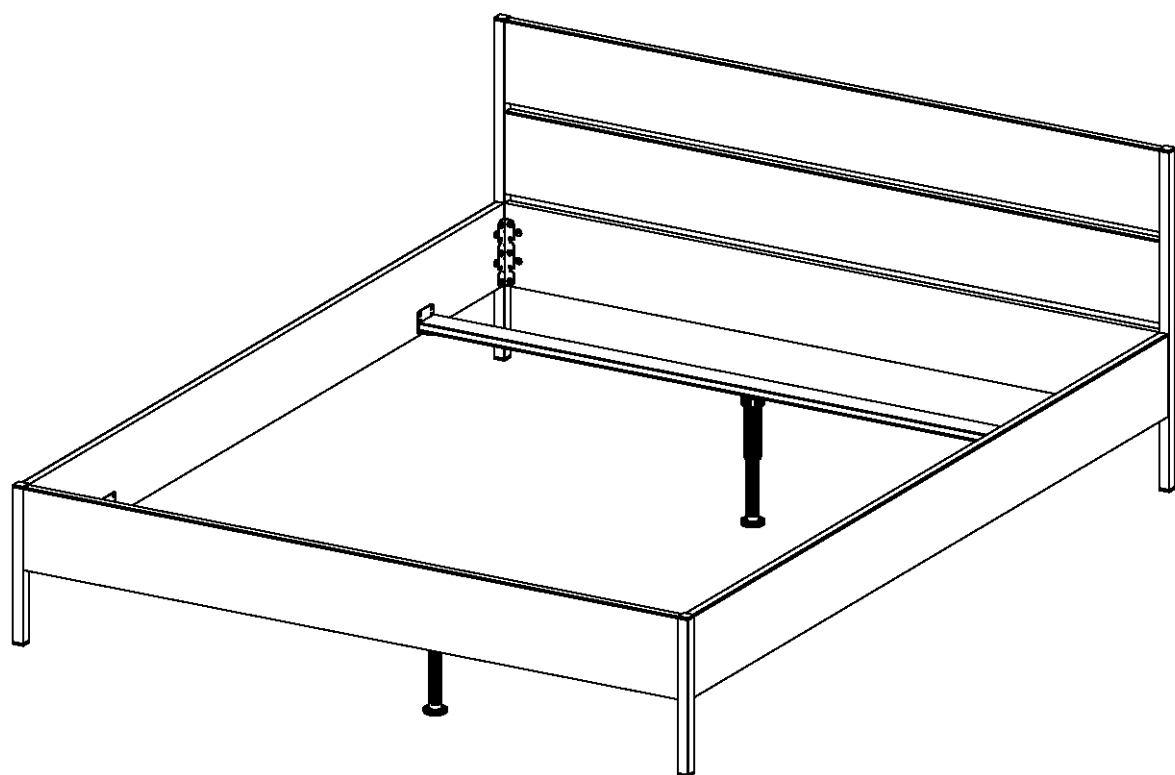
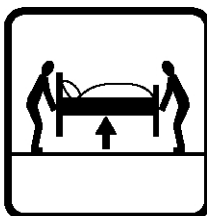
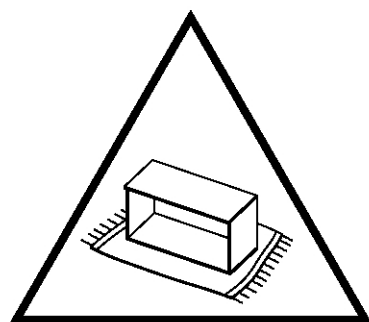
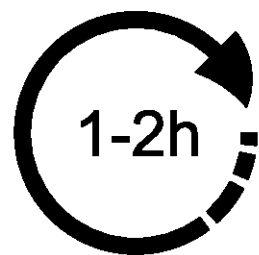
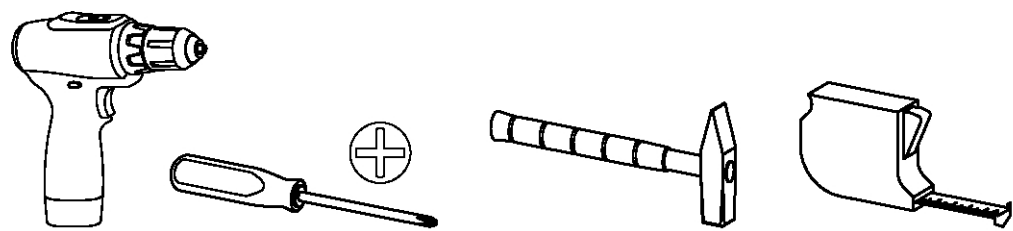
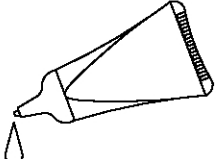

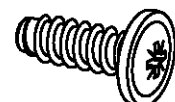
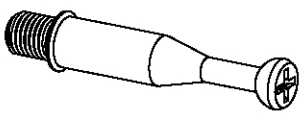
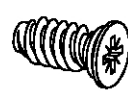
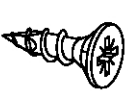

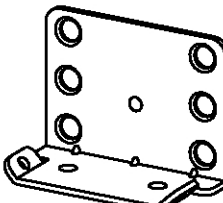
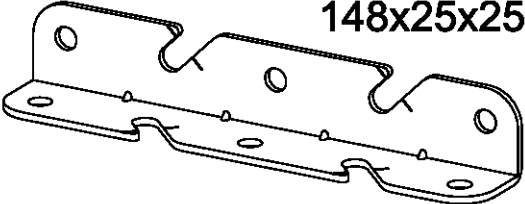
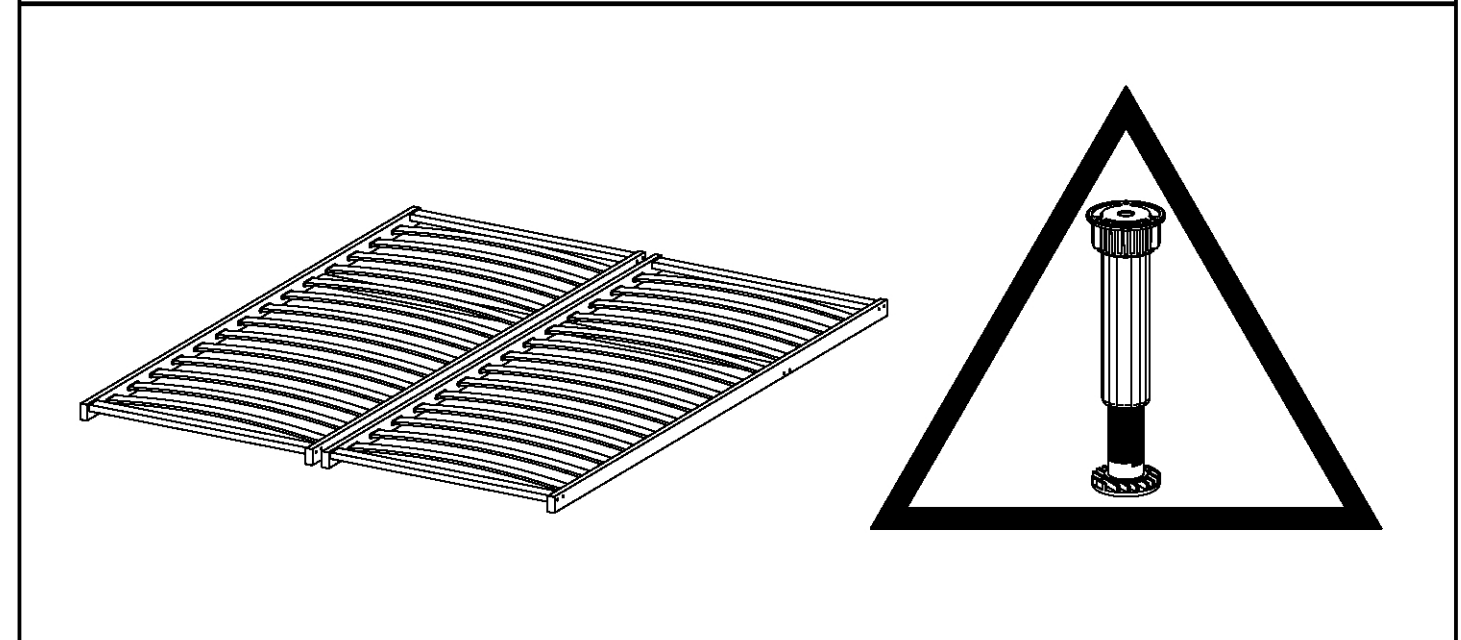
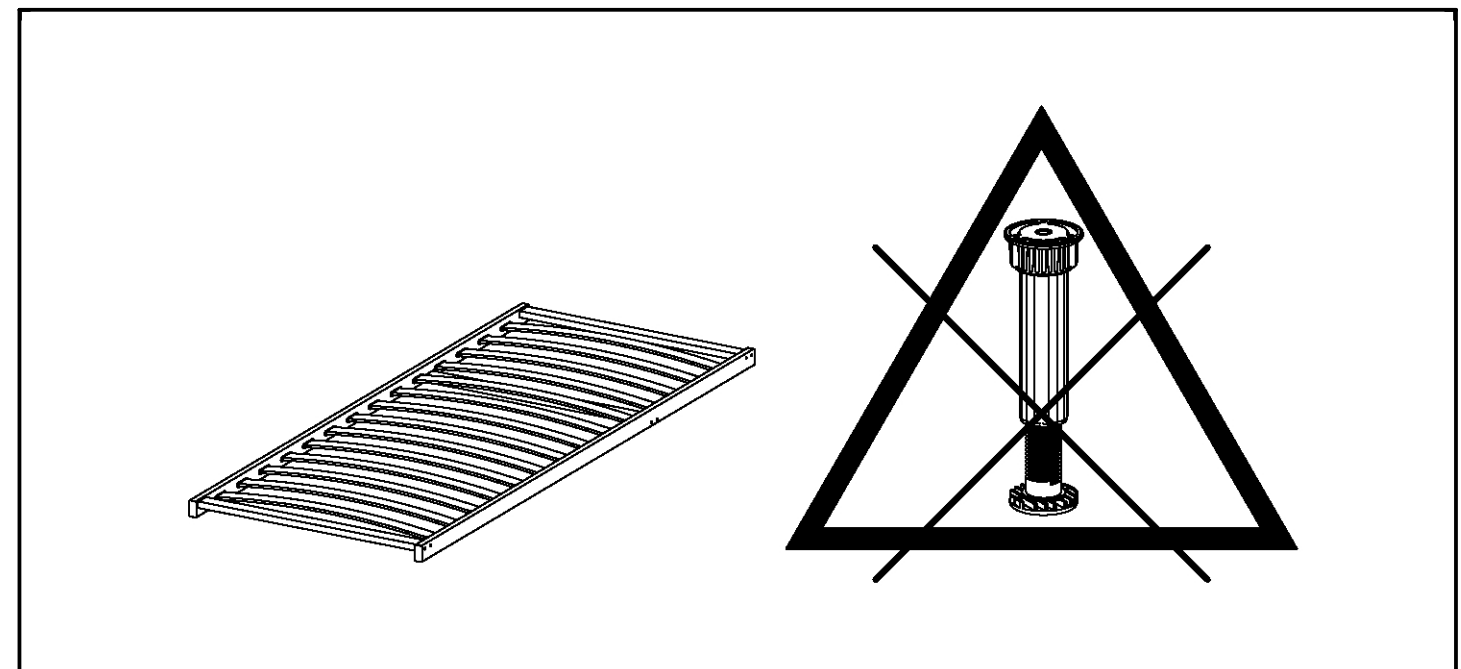
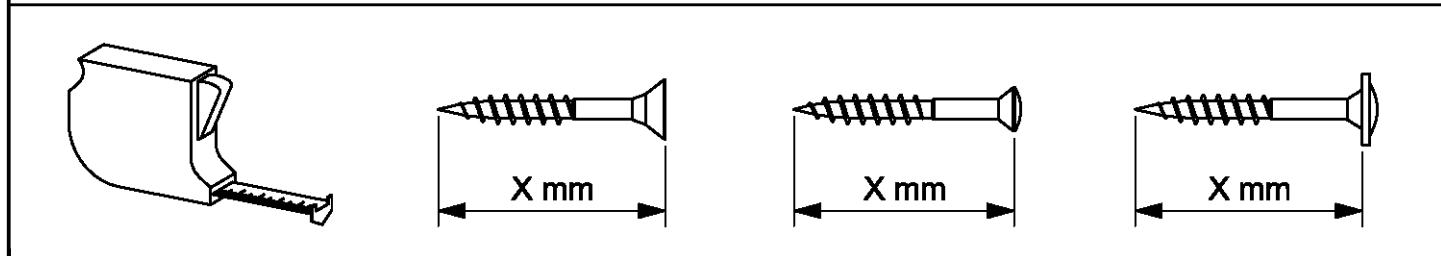
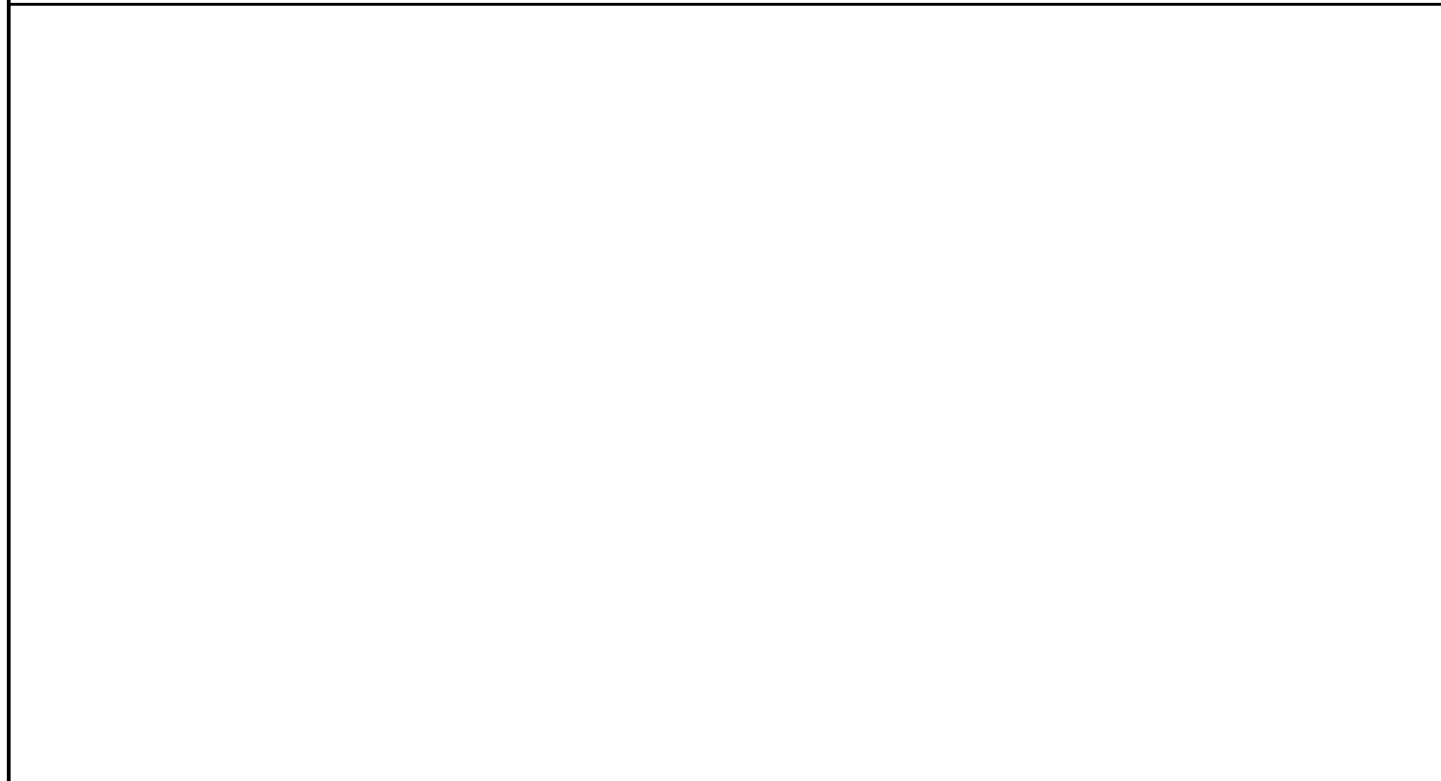



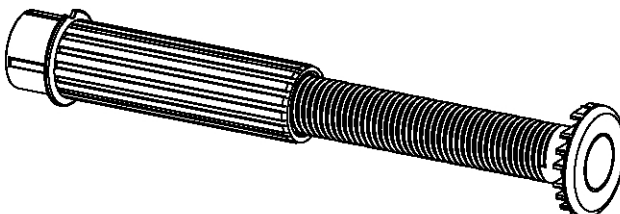
M2632\_01

rauch

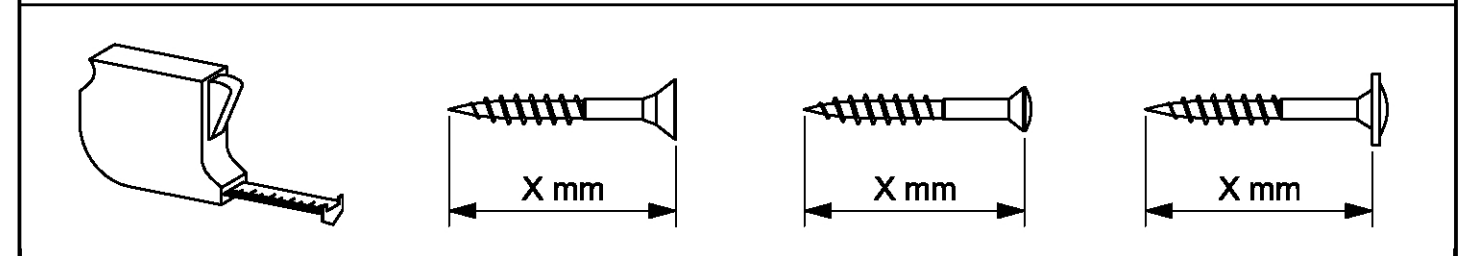


<p>11 </p>	<p>16x 8x40 </p>	<p>24x 6,3x18 </p>
<p>24x 62 </p>	<p>8x 6,3x14 </p>	<p>16x 4,5x16 </p>
<p>24x 349 </p>	<p>4x 698 </p>	
<p>4x 887  148x25x25</p>		



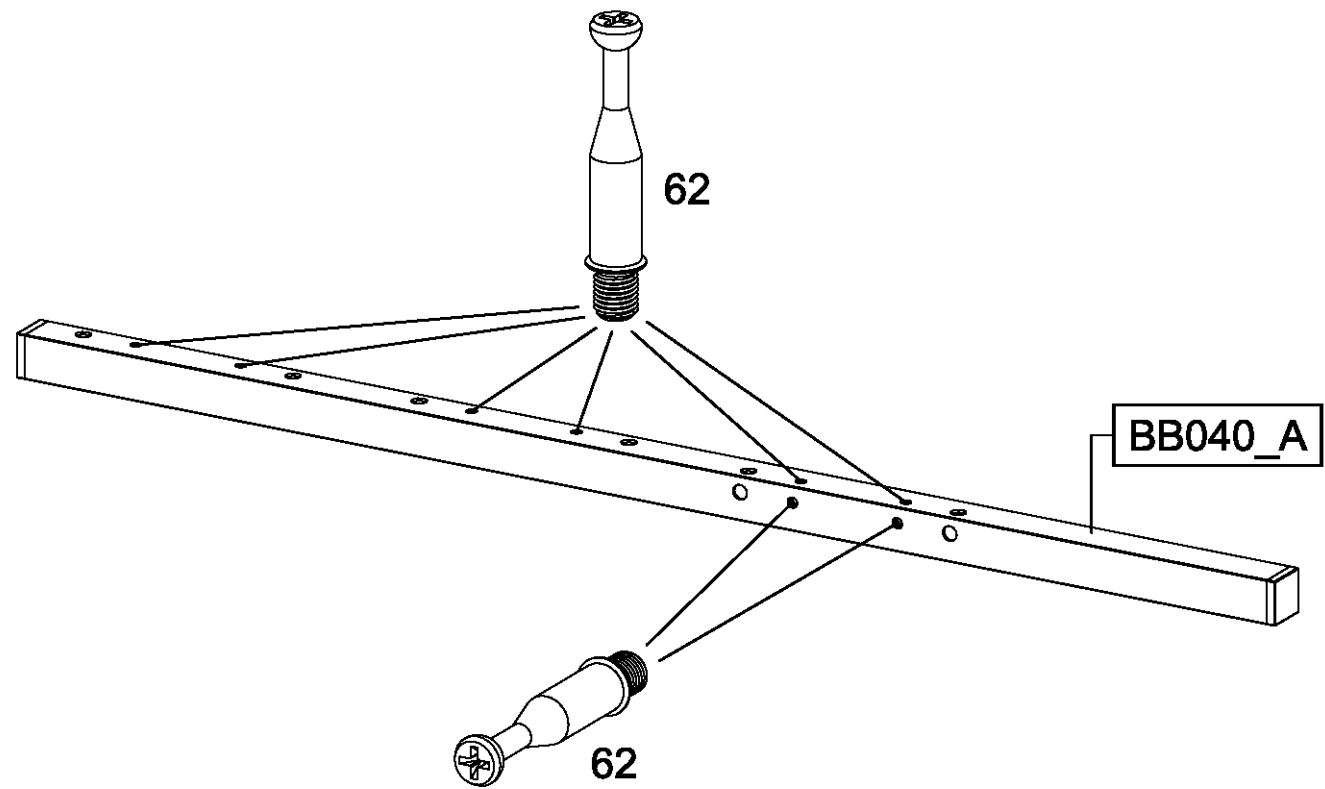
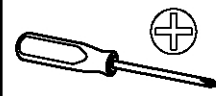
<p>6x 427  4x20</p>	<p>2x 1118 </p>
--	--

<p>2x 1119 </p>
--

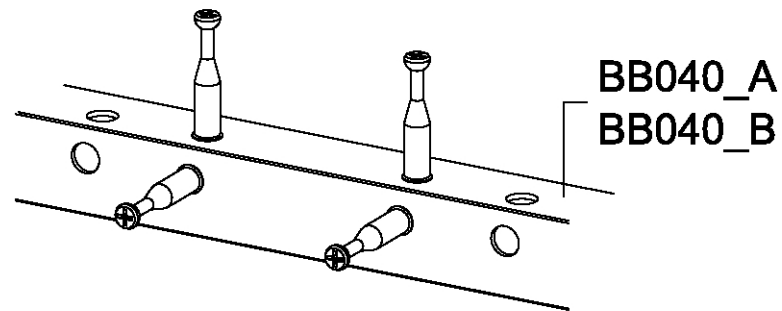
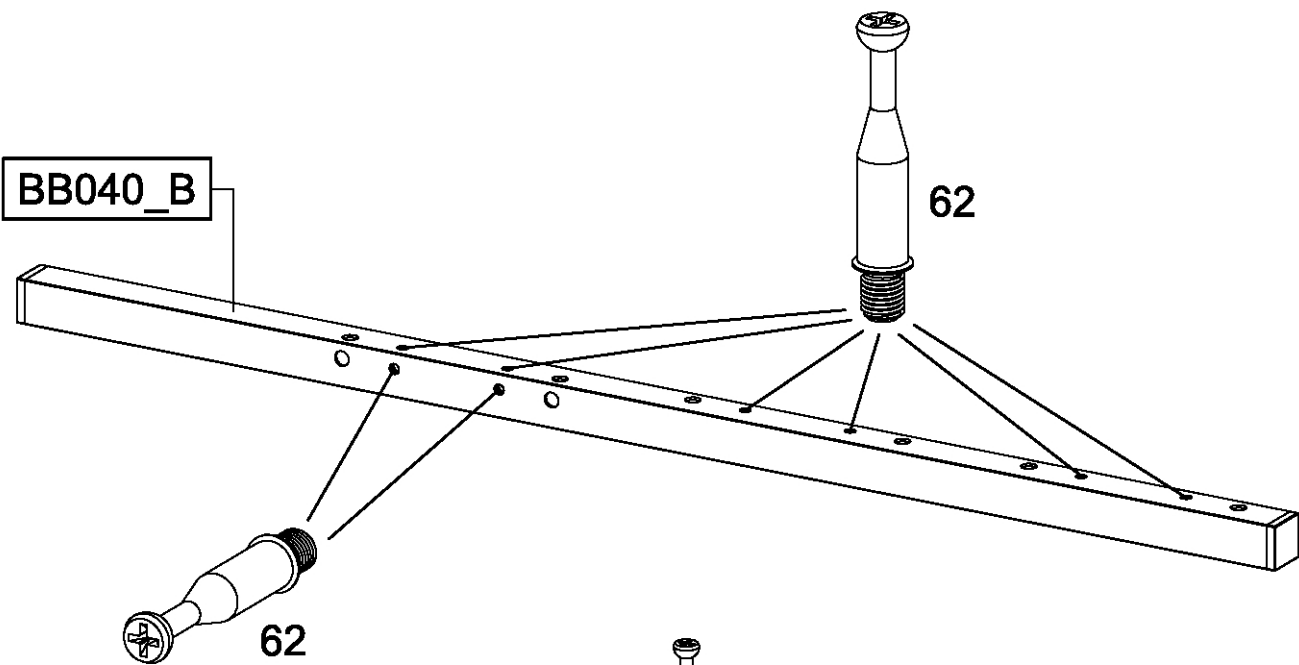


1

16x 62



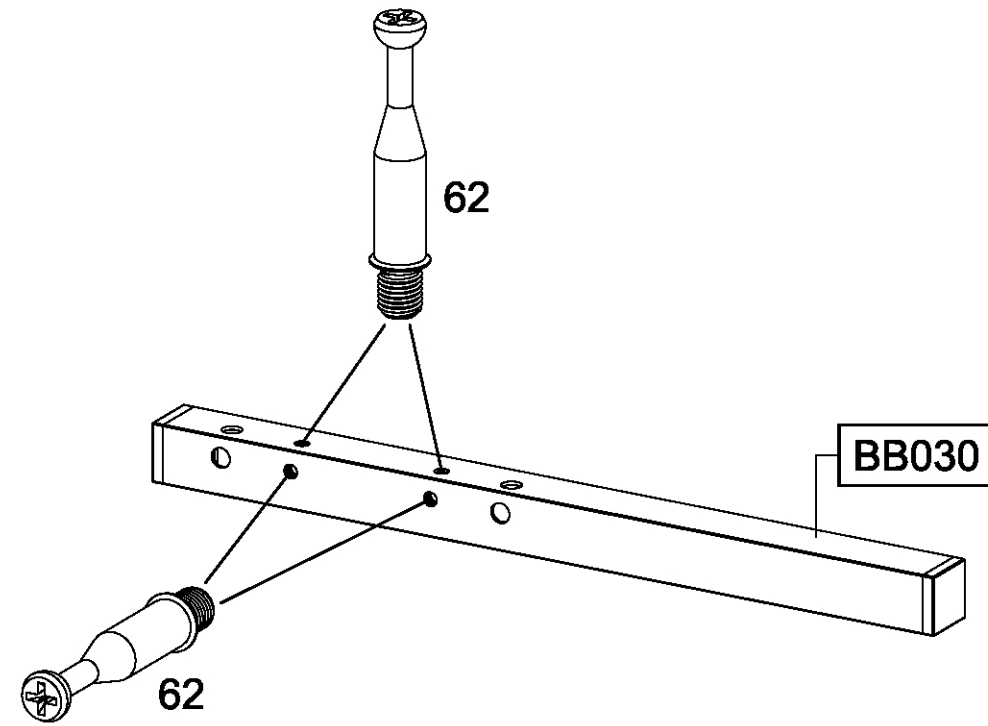
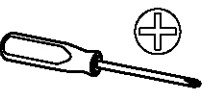
BB040\_B



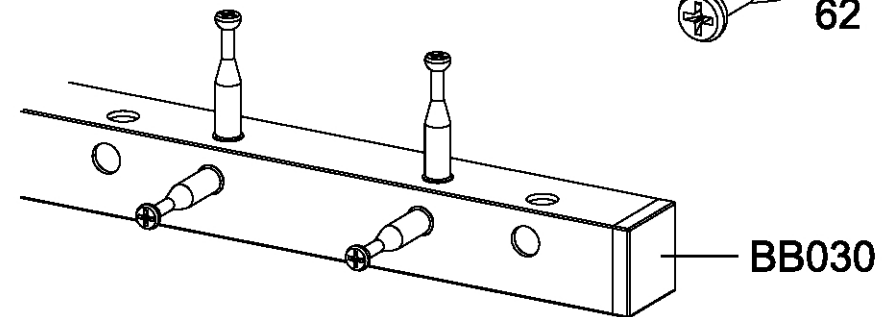
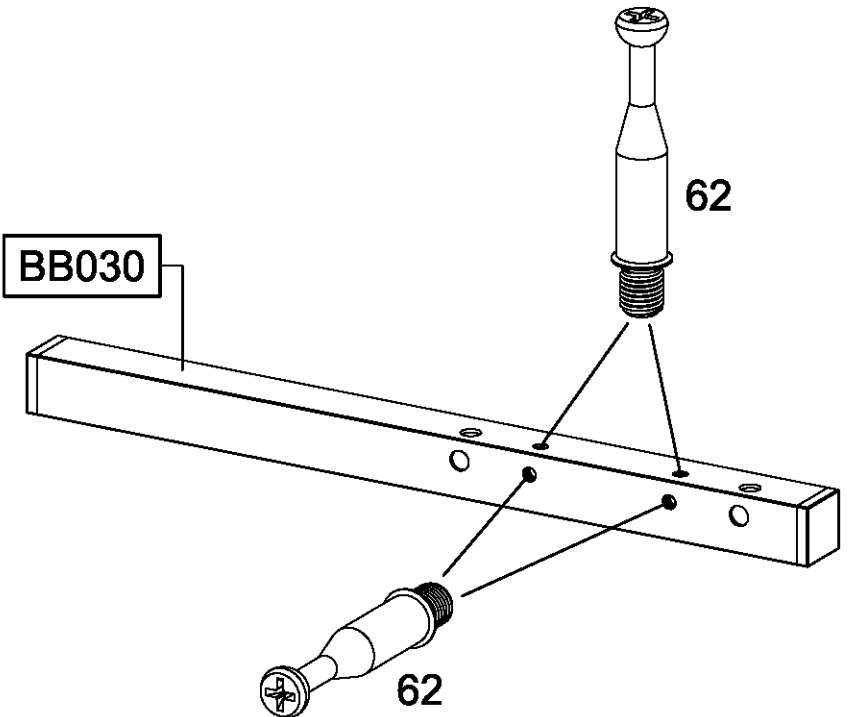
BB040\_A  
BB040\_B

2

8x 62



BB030

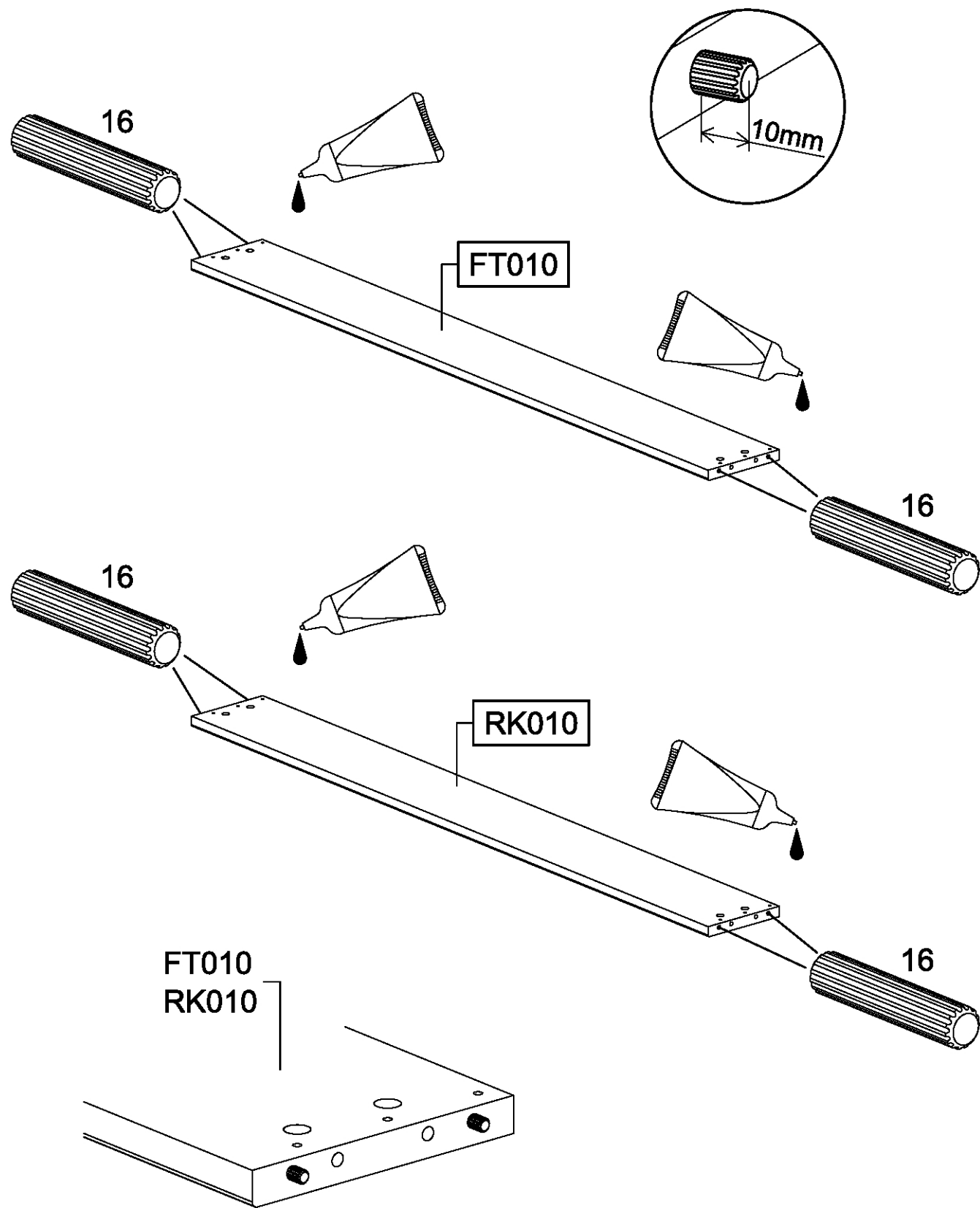


BB030

3

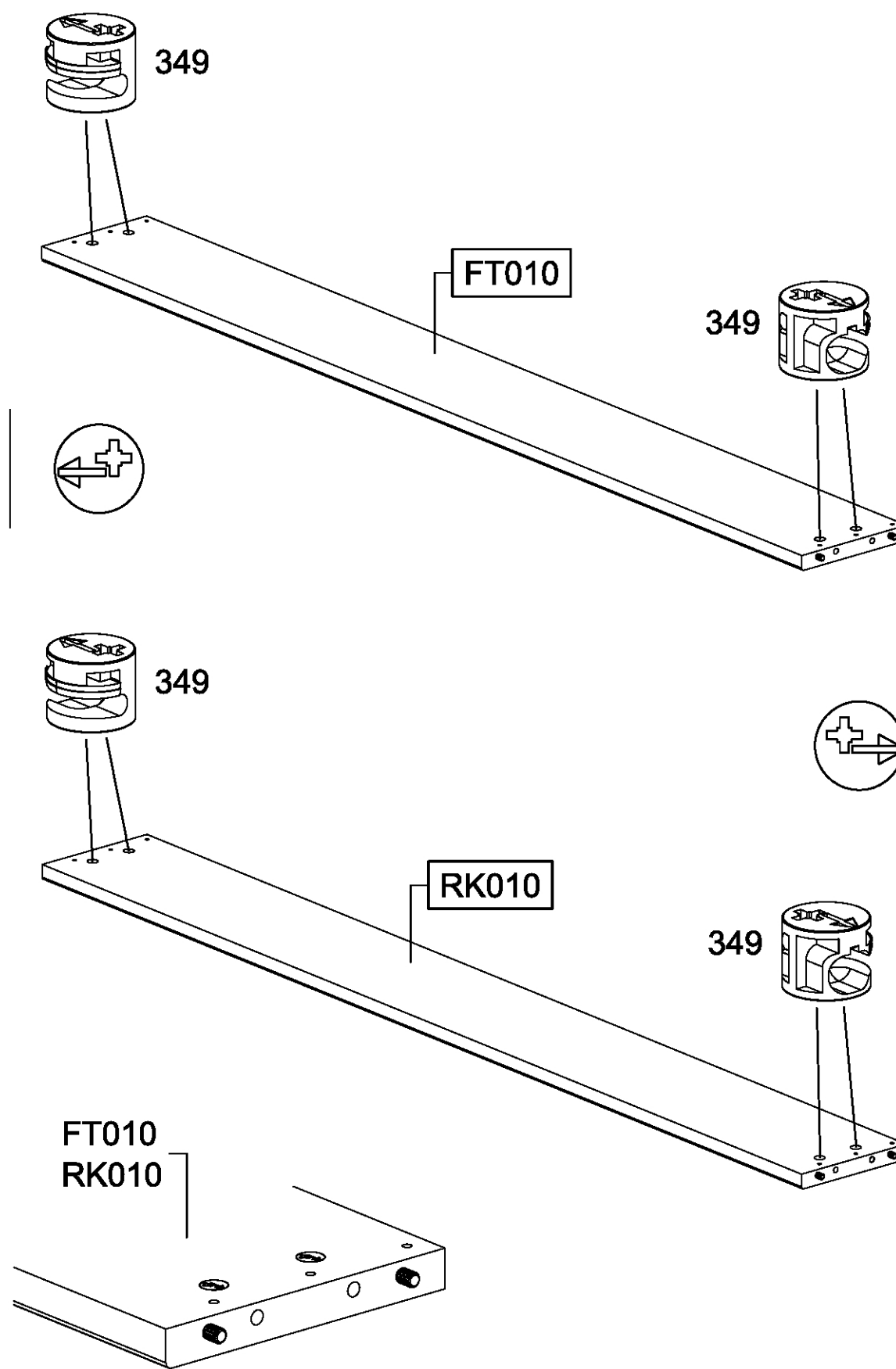
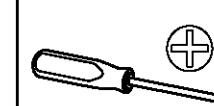


8x 16 8x40



4

8x 349





5

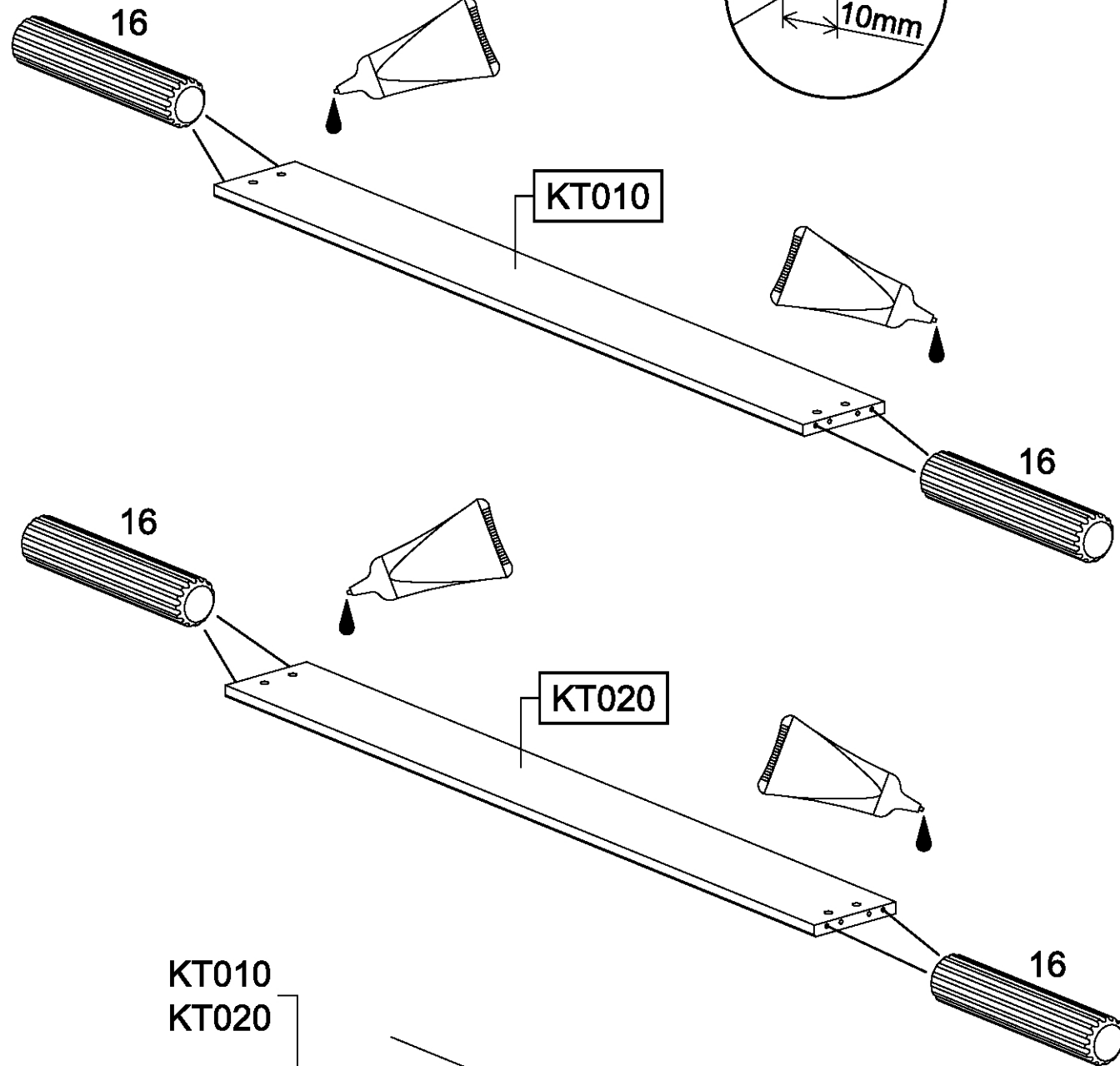
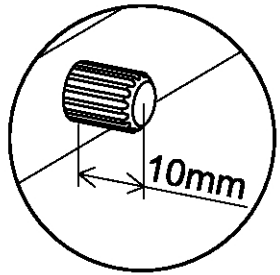
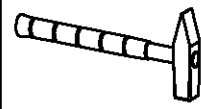


8x

16



8x40

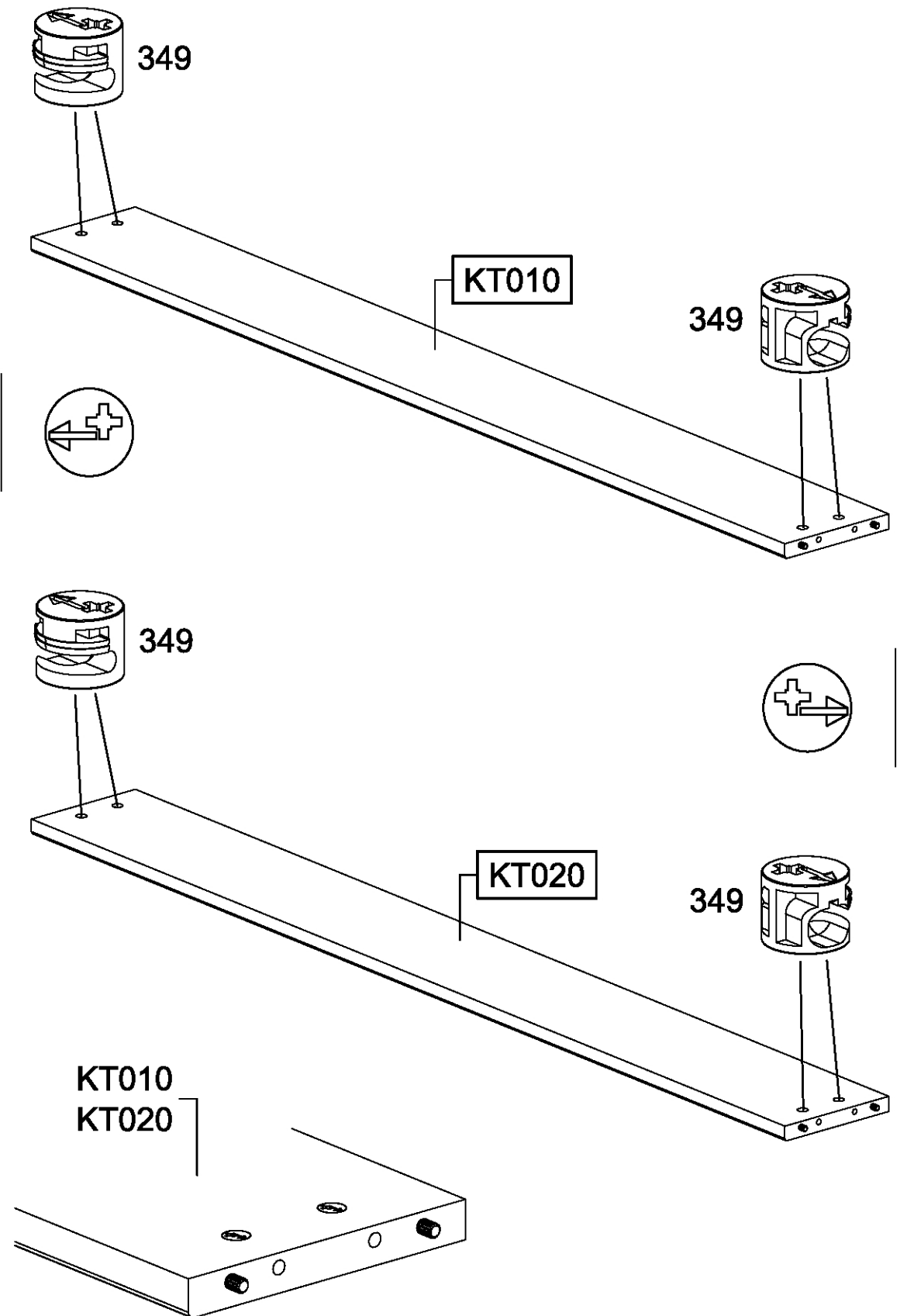
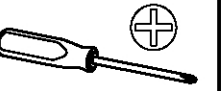


KT010  
KT020

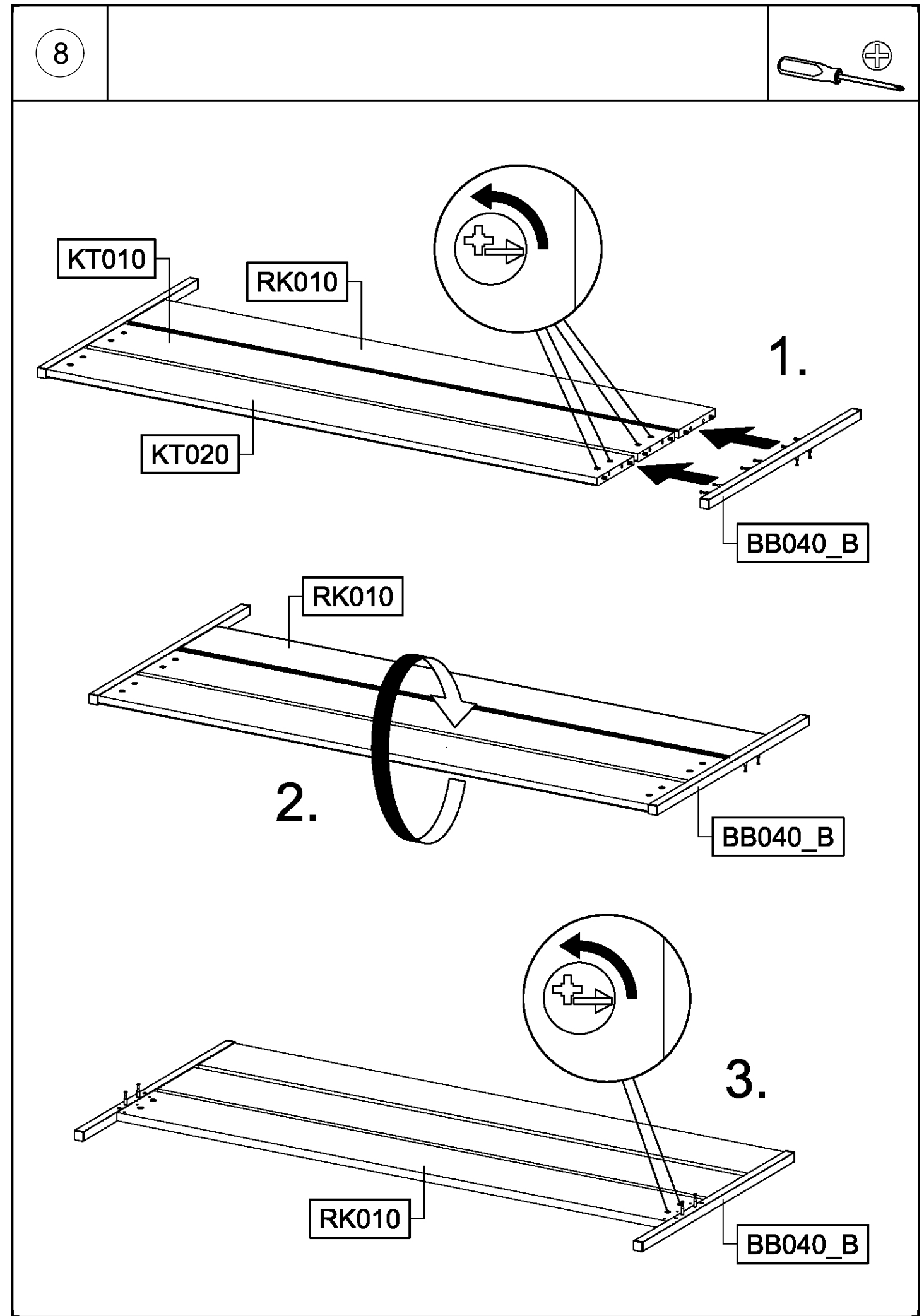
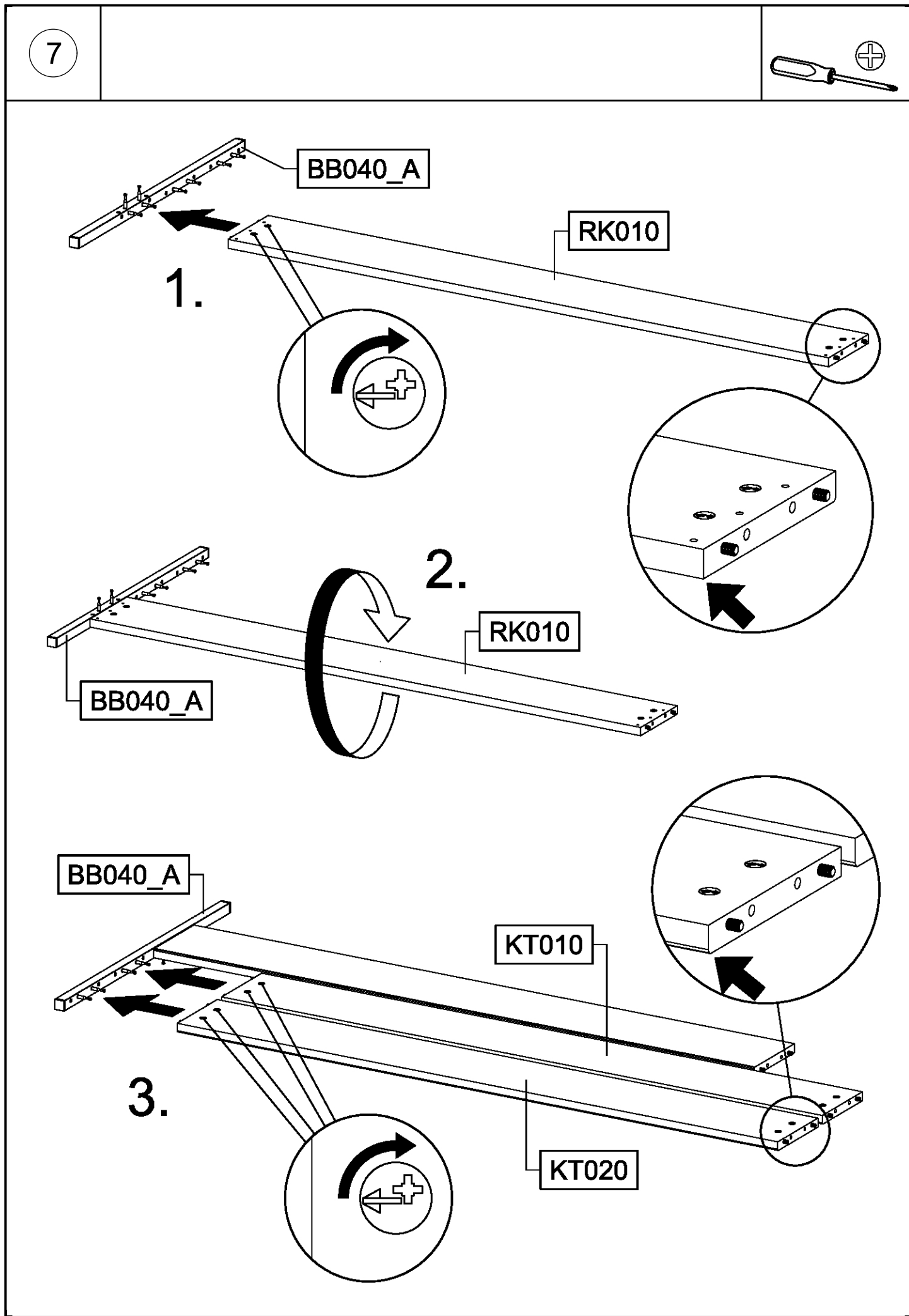
6

8x

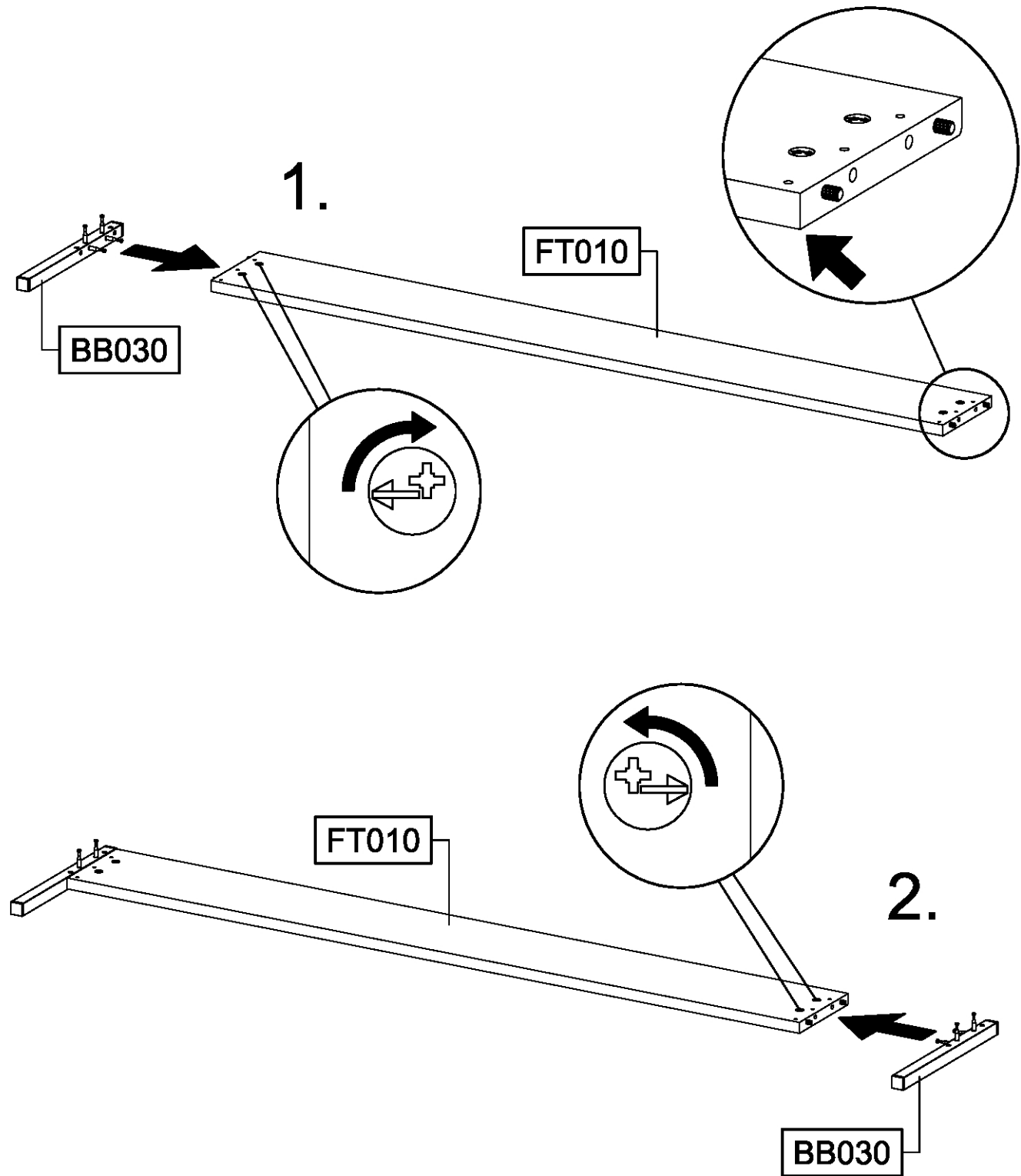
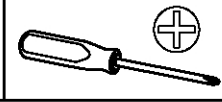
349



KT010  
KT020

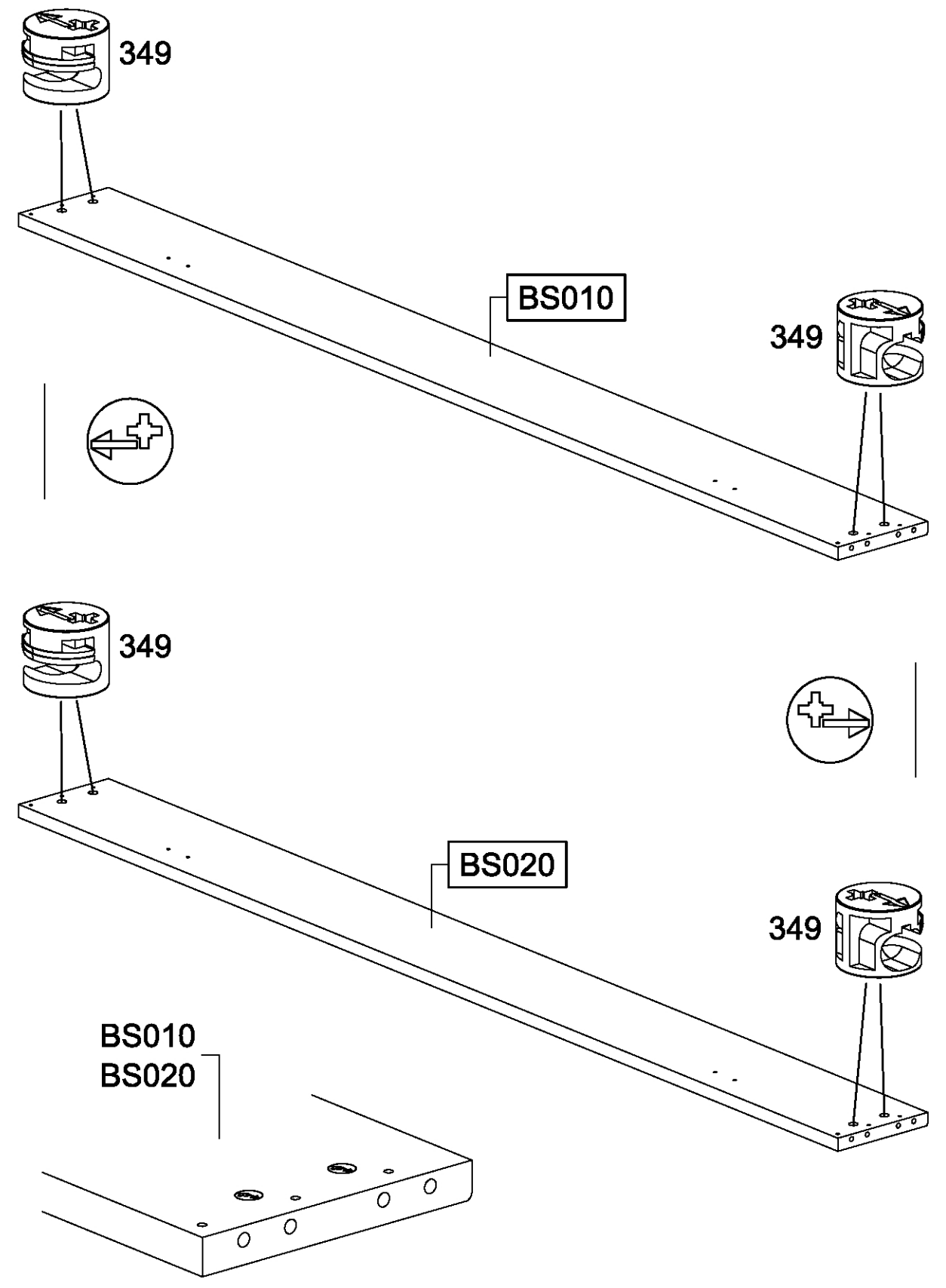
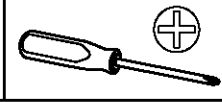


9

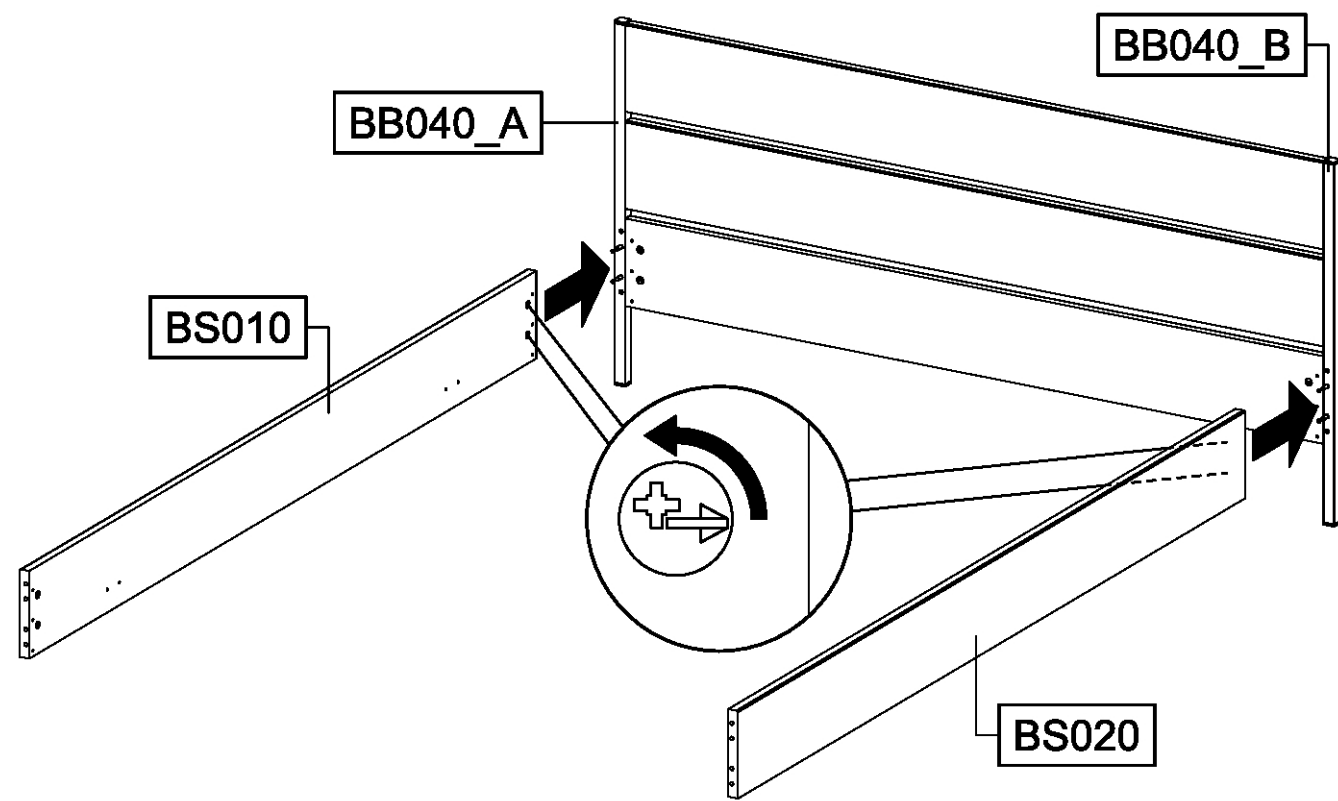
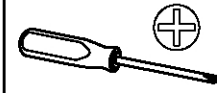


10

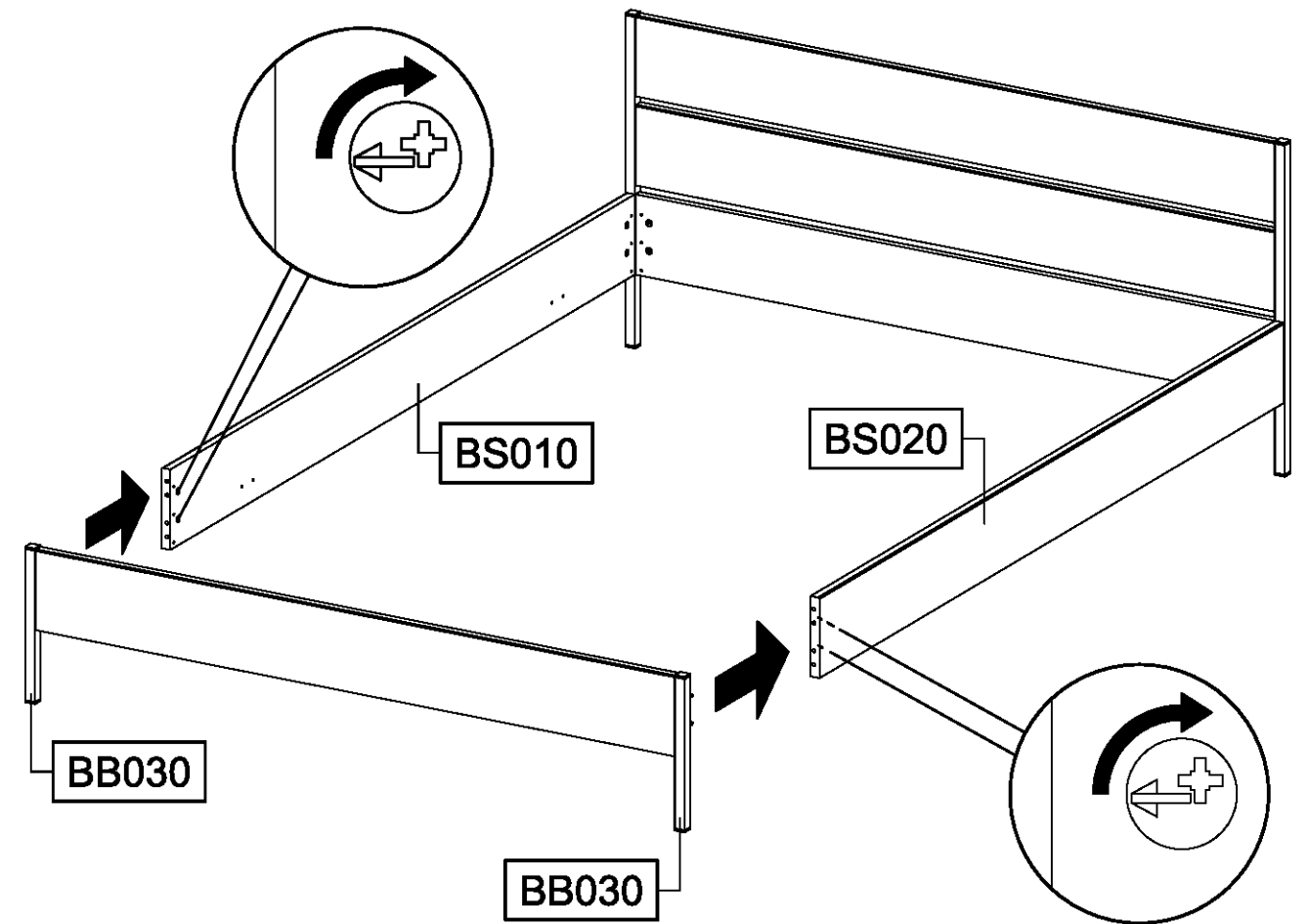
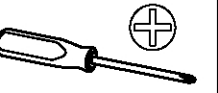
8x 349



11



12



13

12x

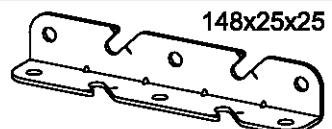
25

6,3x18

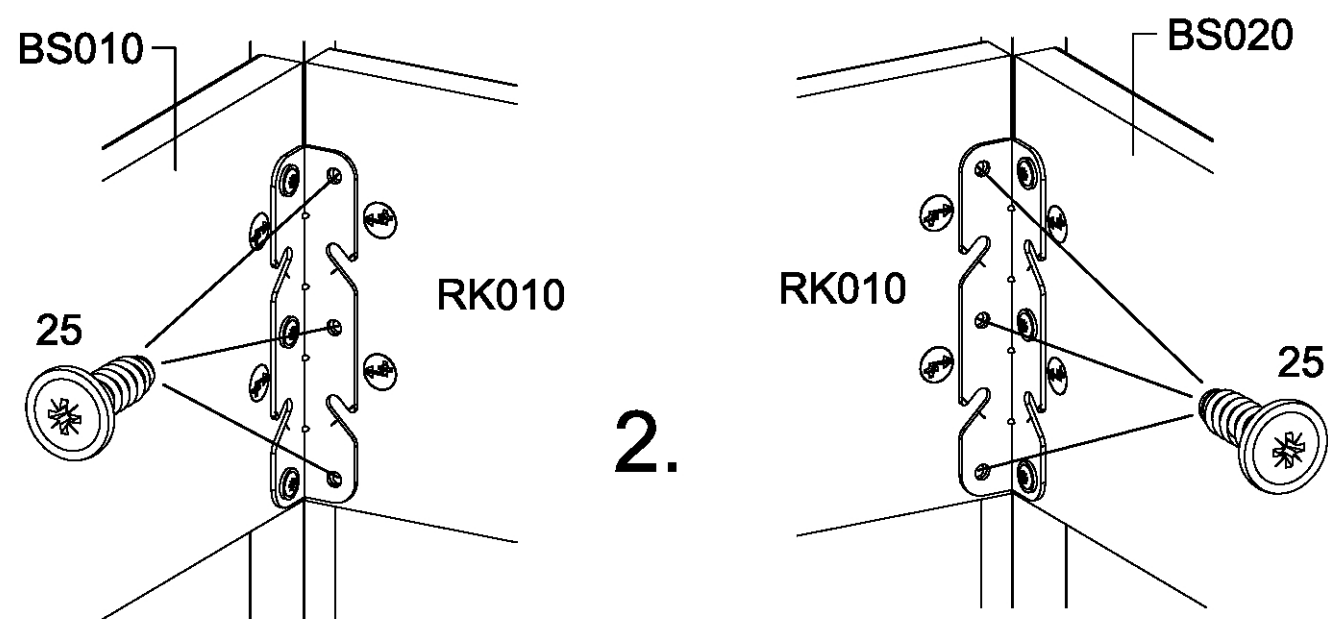
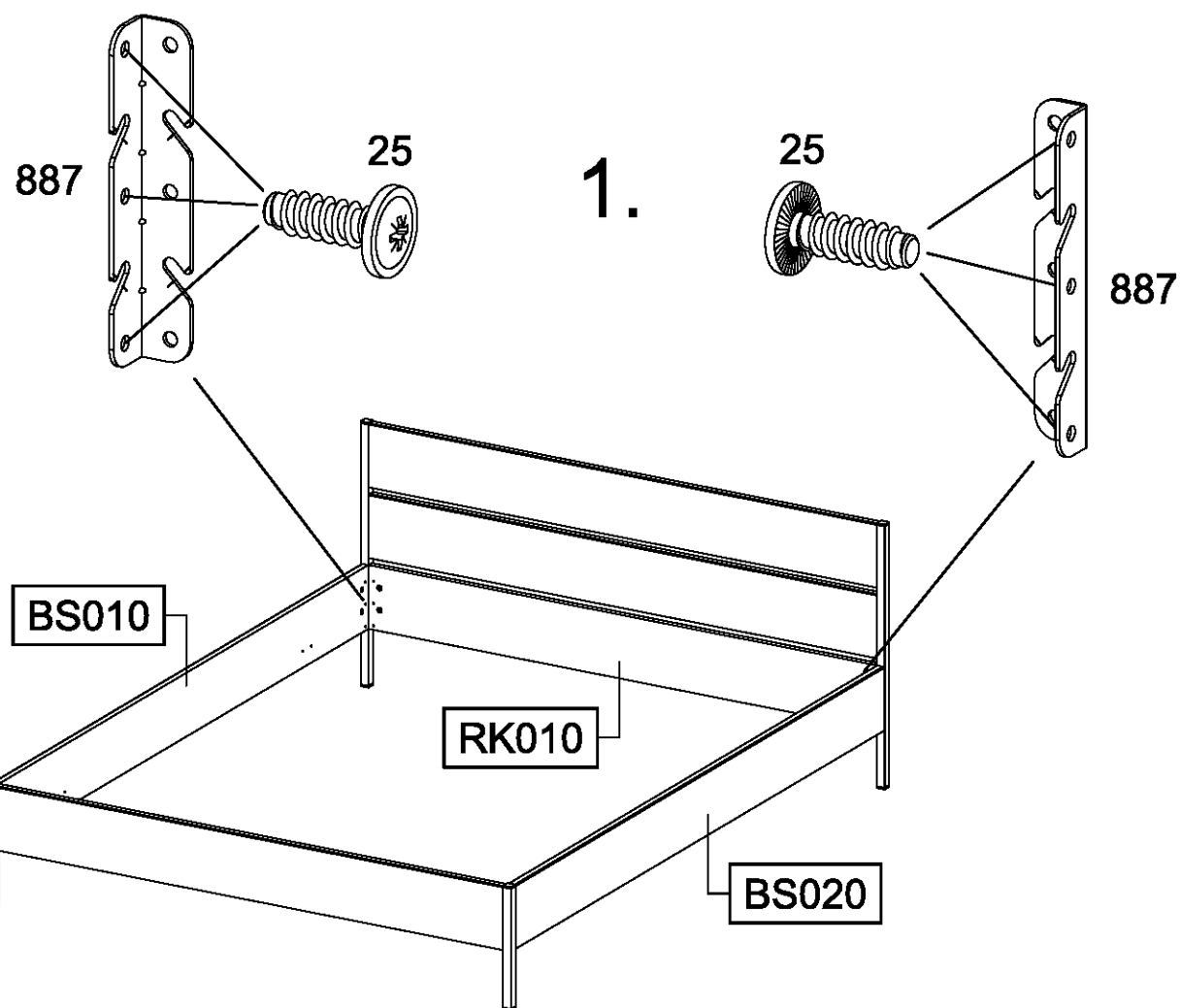


2x

887



148x25x25



14

12x

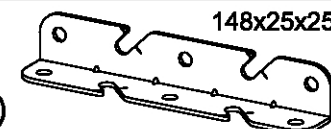
25

6,3x18

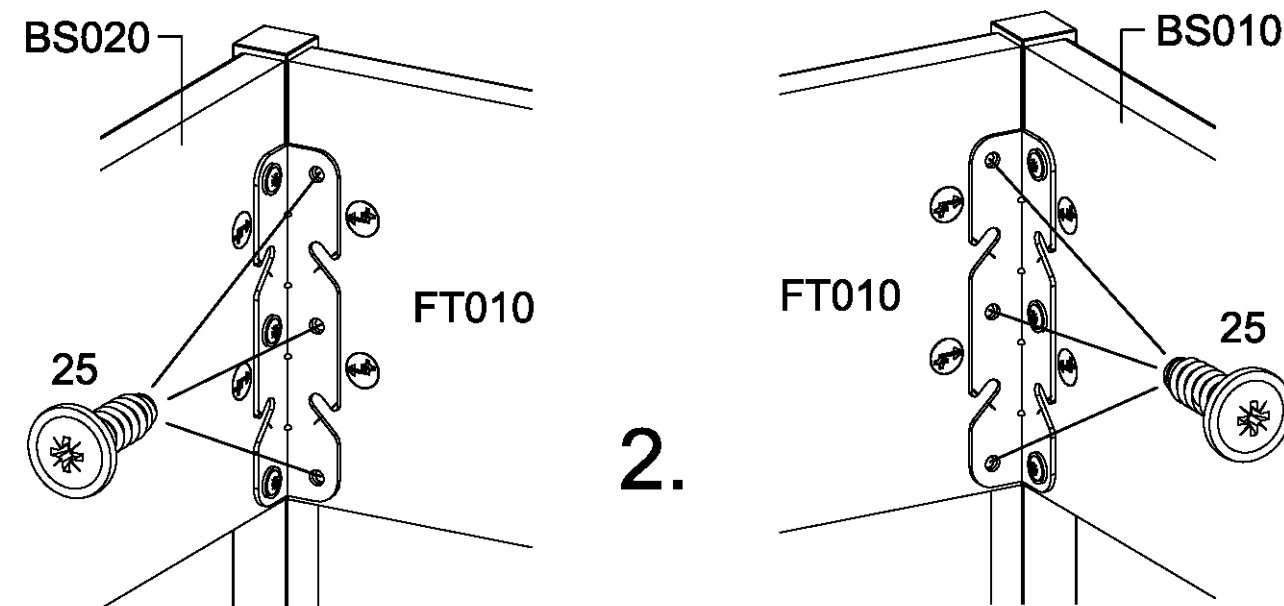
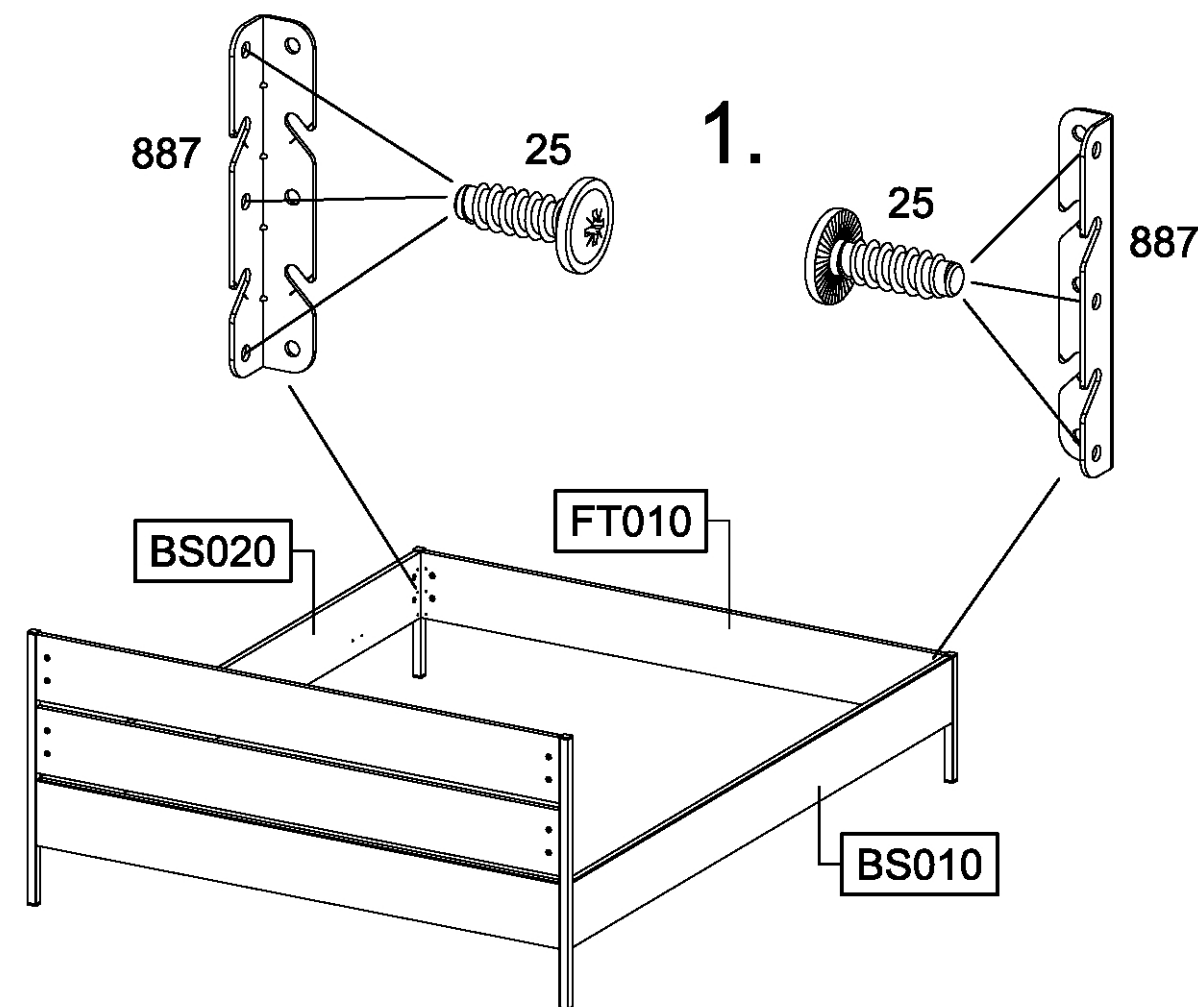


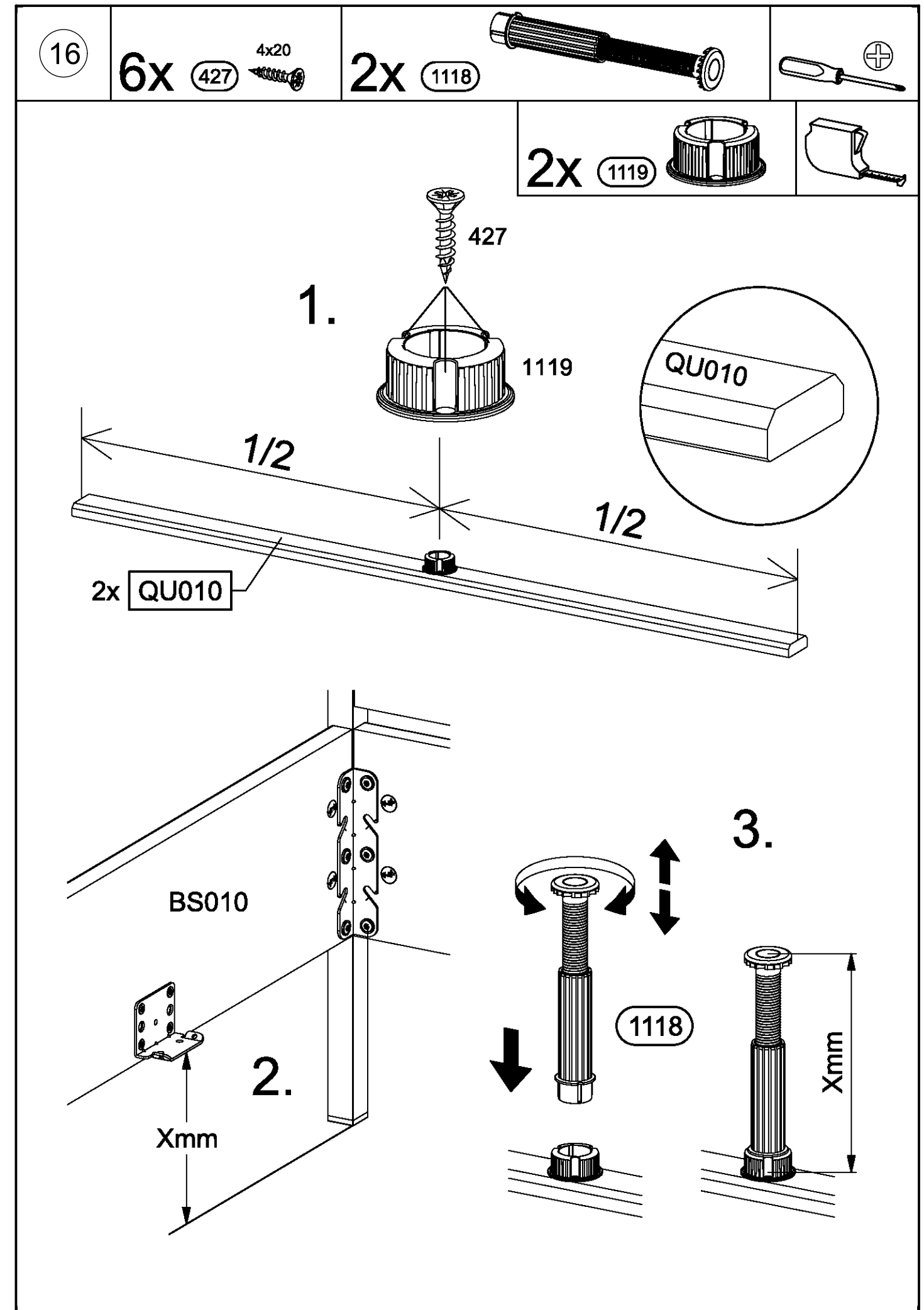
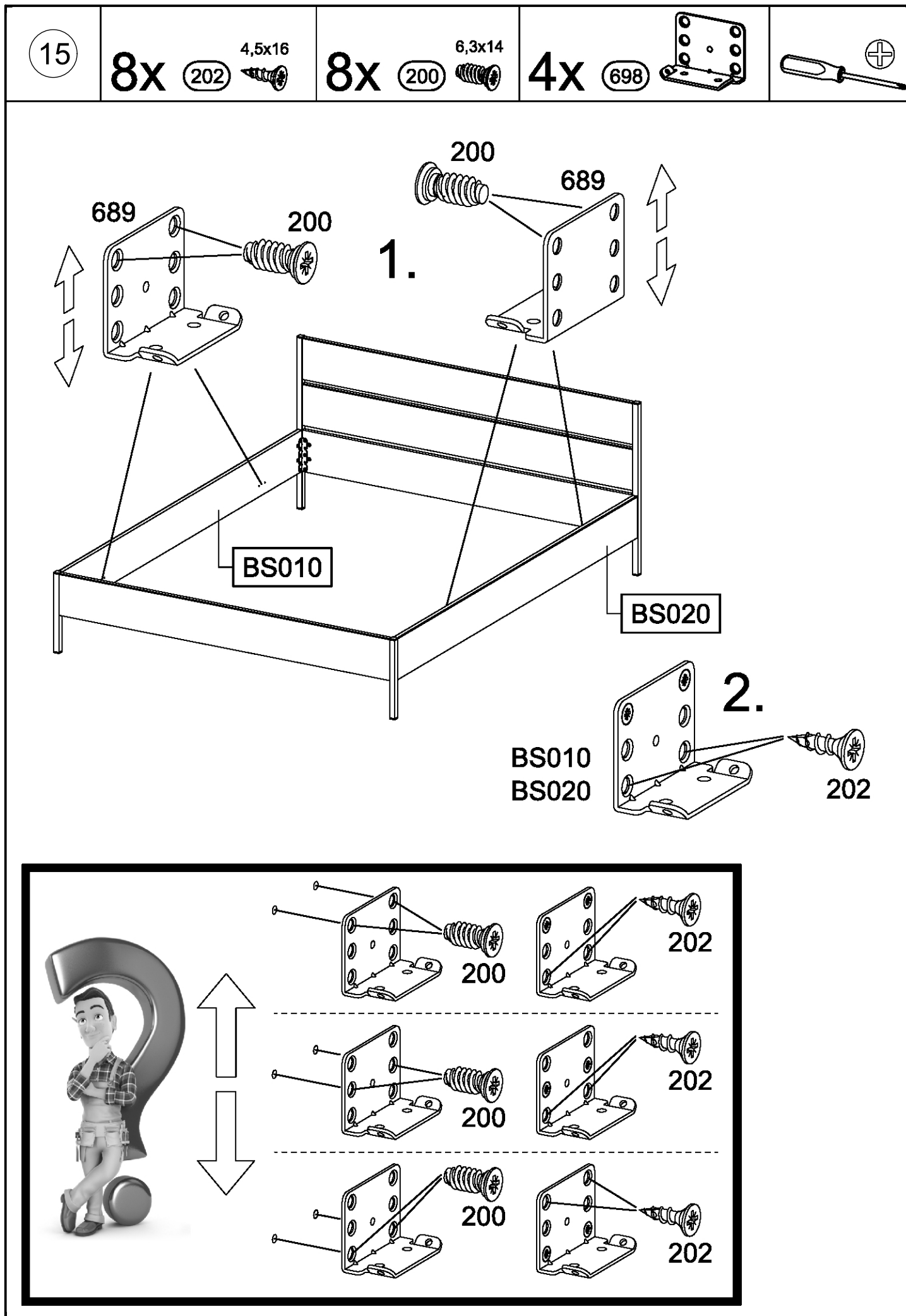
2x

887



148x25x25





17

8x

202

4,5x16

