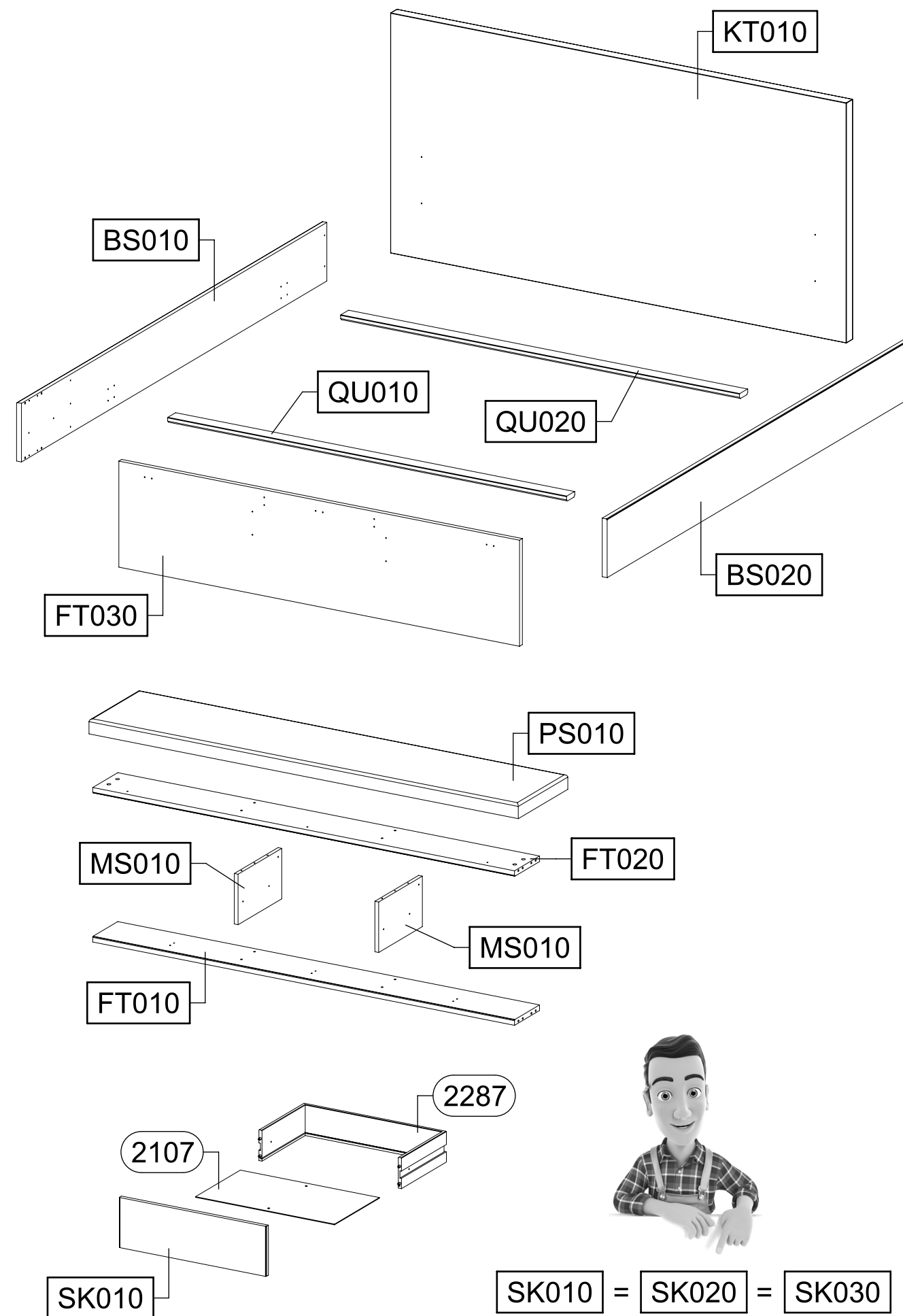
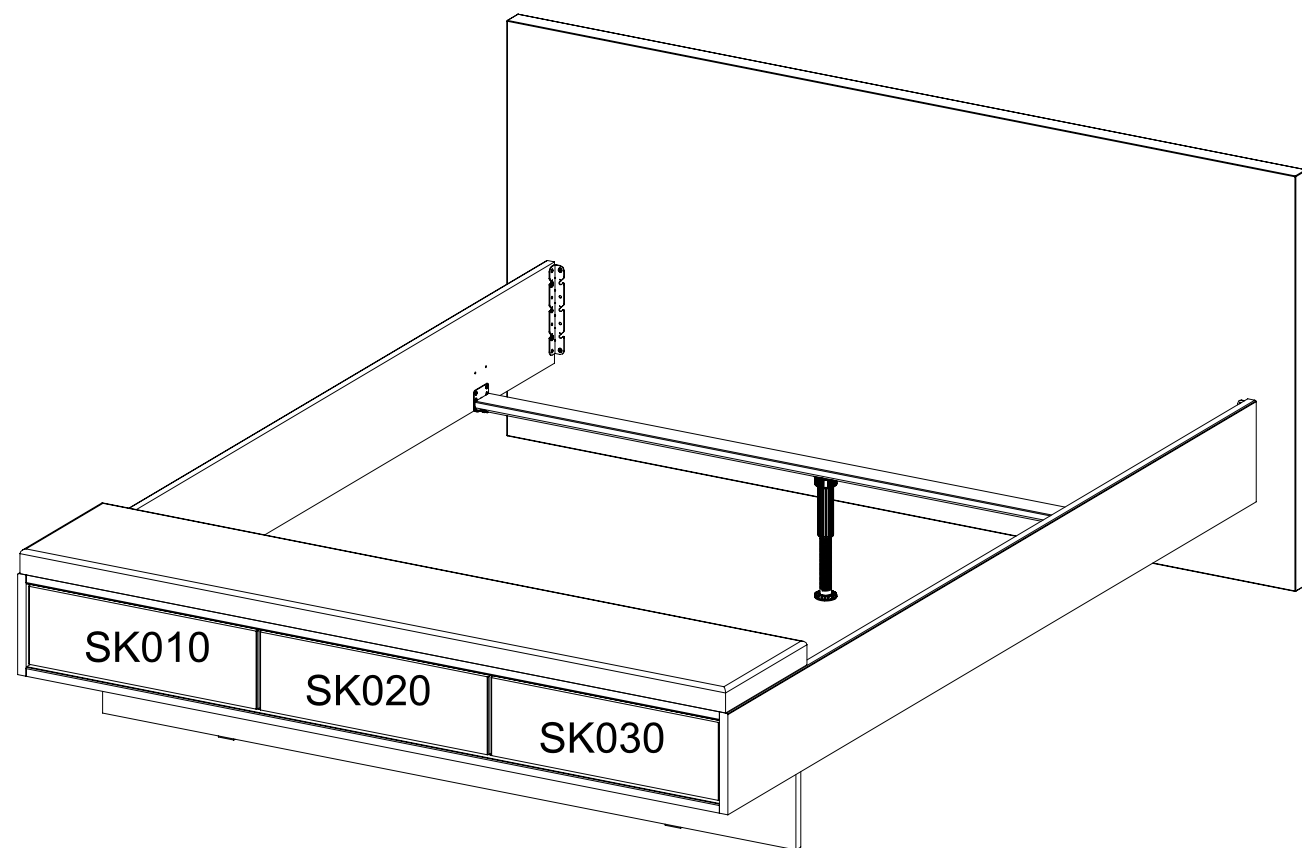
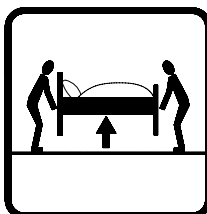
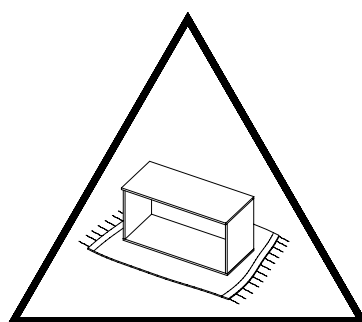
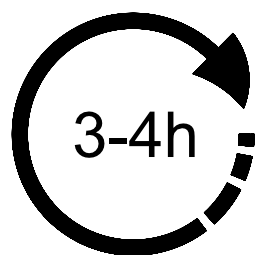
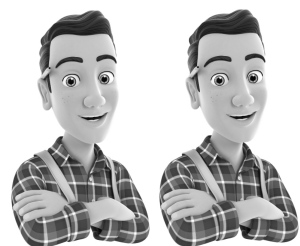
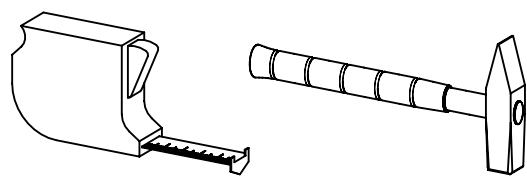
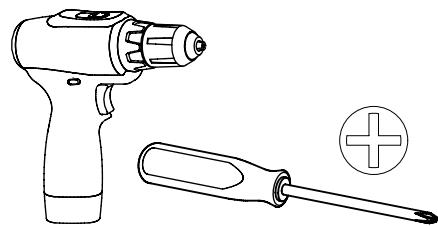
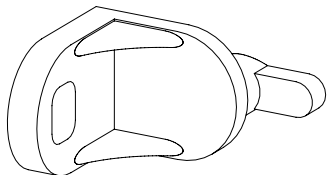
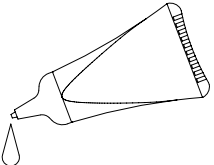
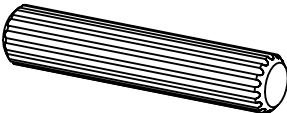
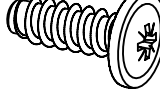
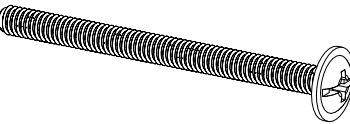
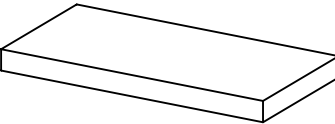
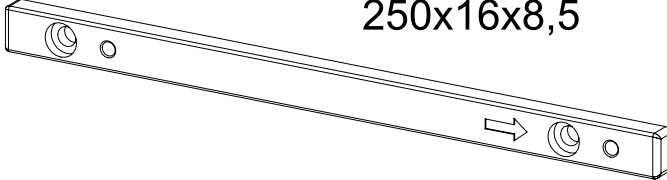
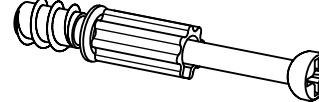
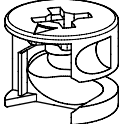
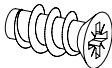

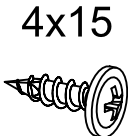
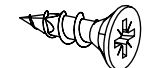
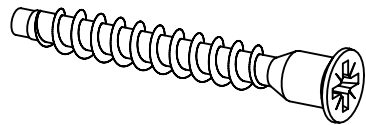

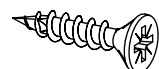
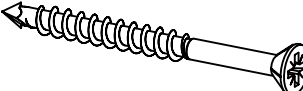
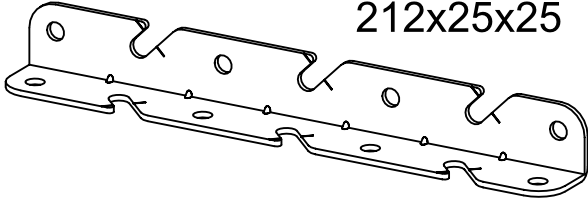
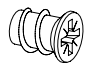
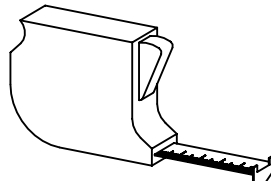
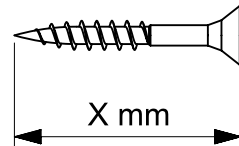
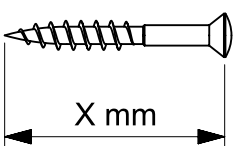
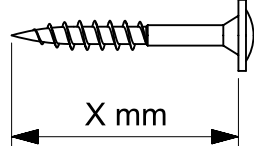


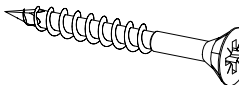

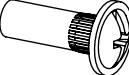
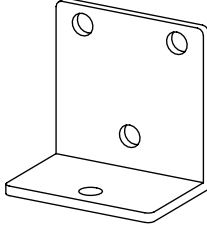
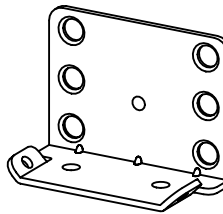
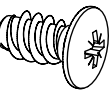
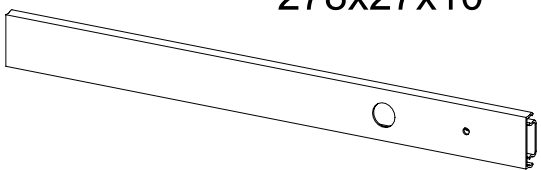
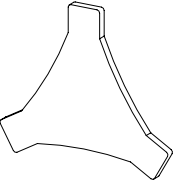
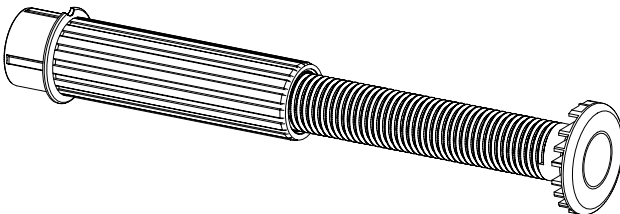
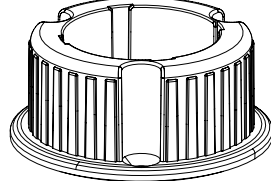
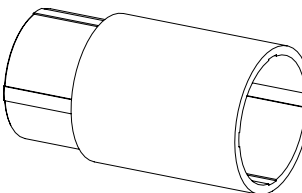
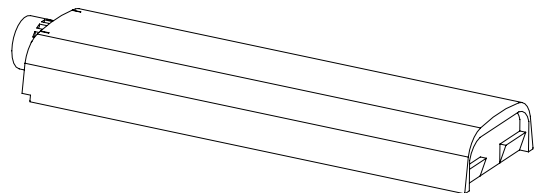
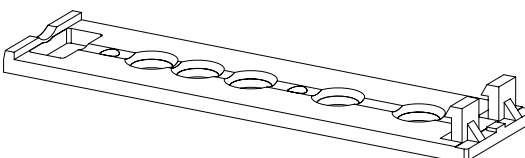
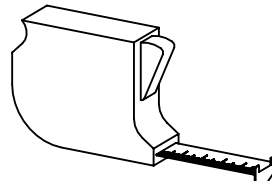
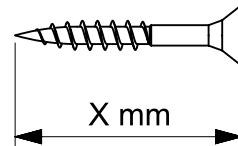
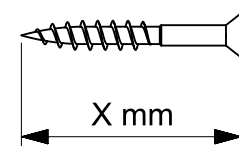
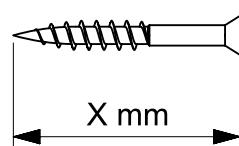
M2644_01

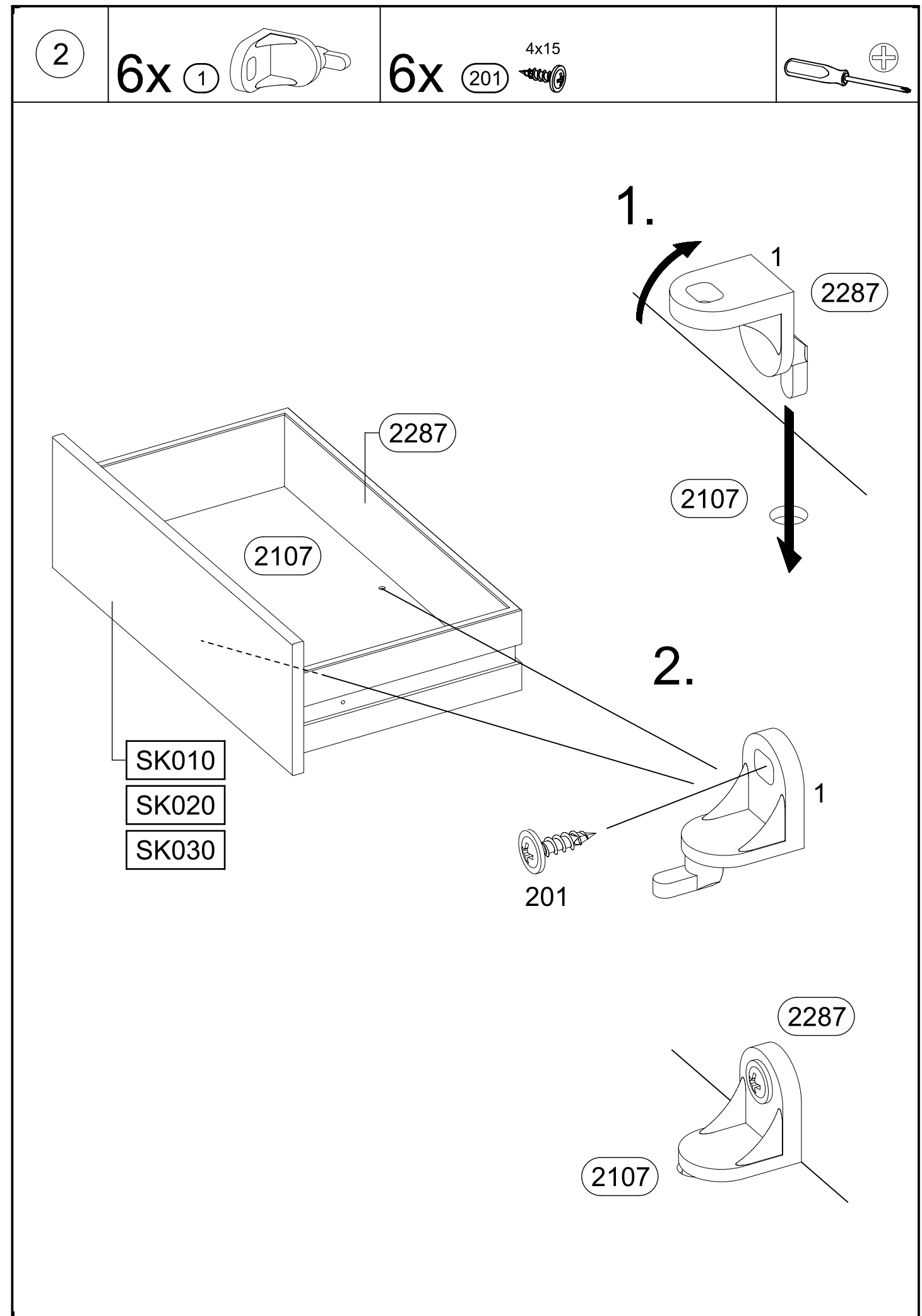
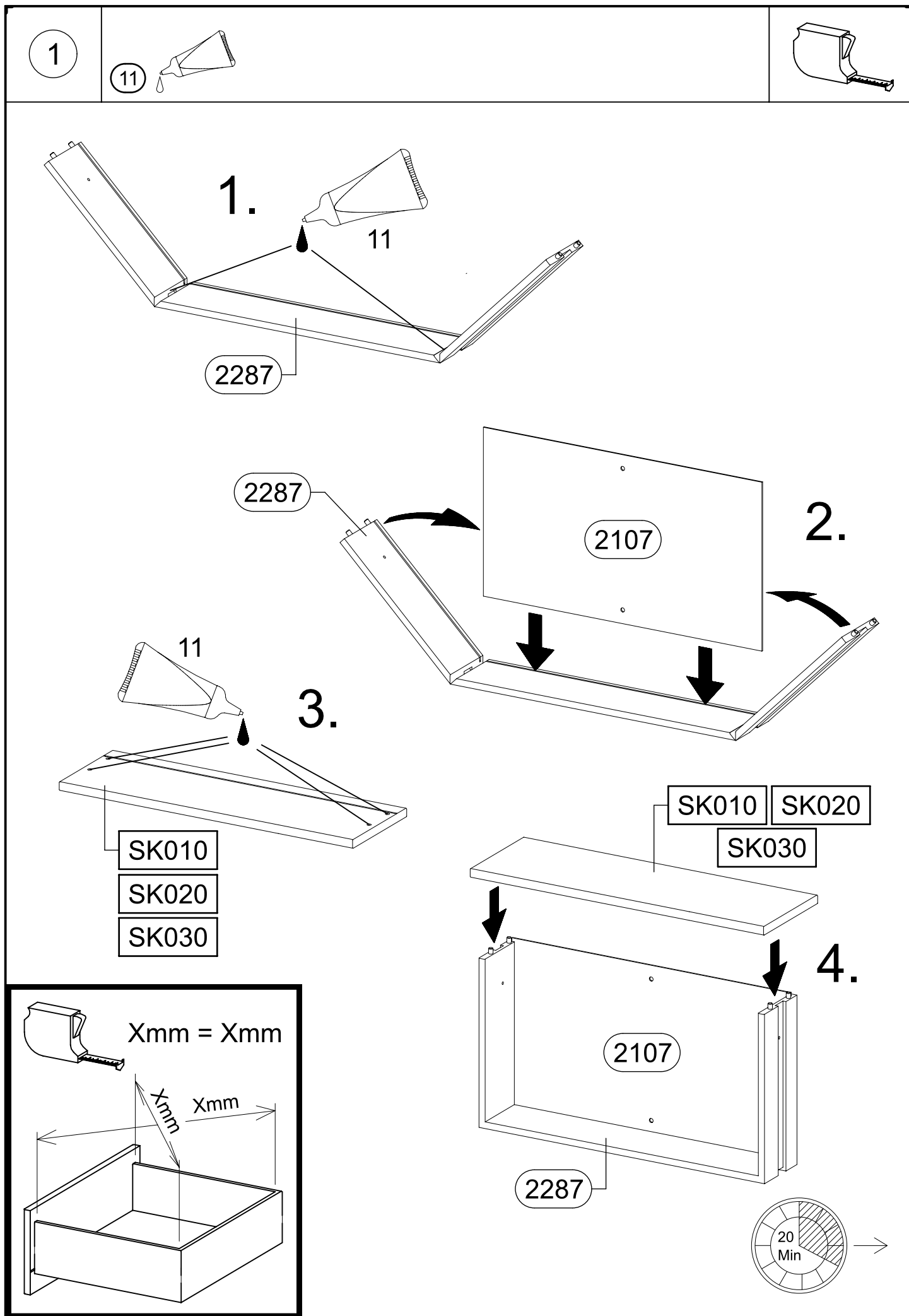
rauch



SK010 = SK020 = SK030

6x 1 	11 	8x 16 8x40 
28x 25 6,3x18 	4x 80 M4x50 	4x 127 40x20x3 
4x 143 250x16x8,5 	8x 172 	
8x 173 	6x 179 6,3x13 	8x 200 6,3x14 
6x 201 4x15 	22x 202 4,5x16 	8x 233 6,3x50 
3x 244 4x17 	6x 427 4x20 	4x 447 4,0x45 
4x 456 212x25x25 	12x 534 6x8 	
		
		

3x 547 4x35 	6x 568 M4x9 	4x 580 M4 
5x 602 	4x 698 	4x 779 6,5x12 
6x 949 278x27x10 	1x 996 	
2x 1118 	2x 1119 	
2x 1120 	3x 1245 	
3x 1249 		
		
		

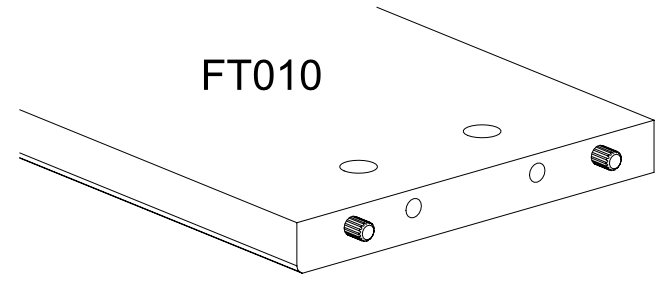
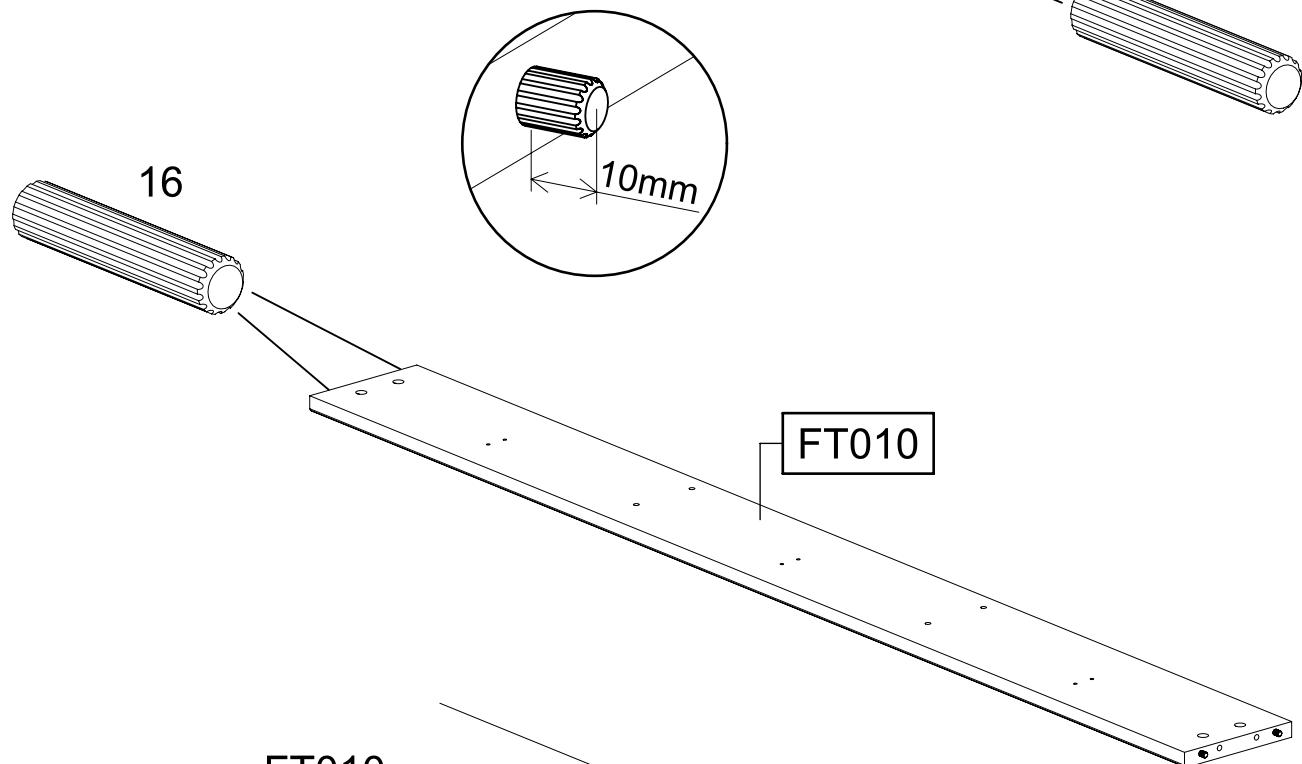
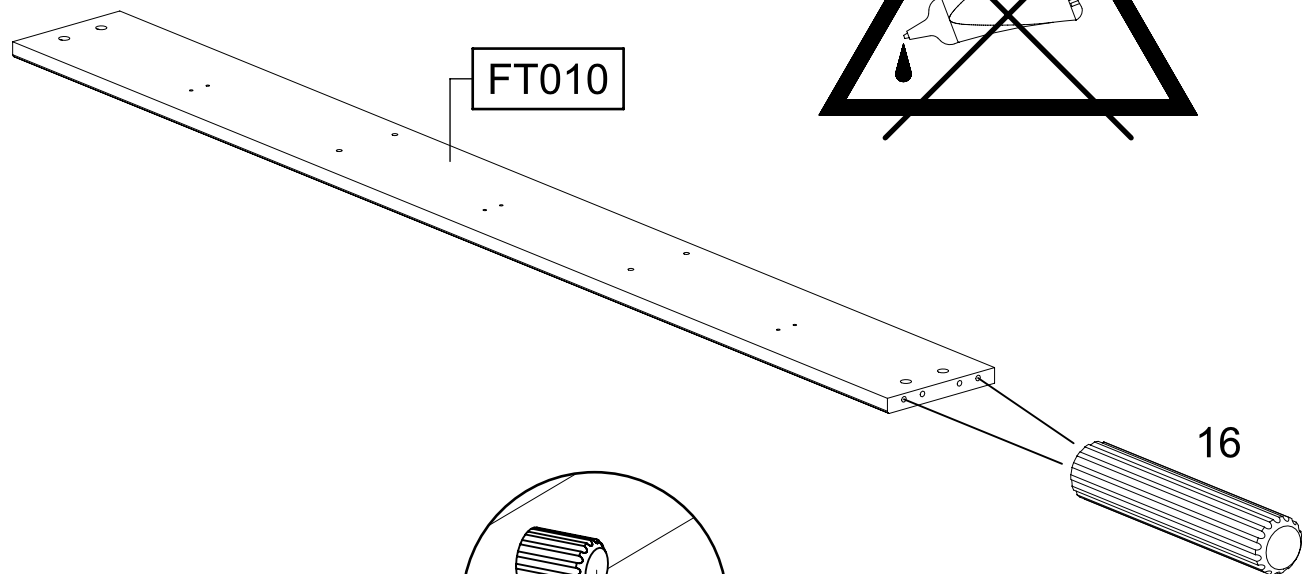
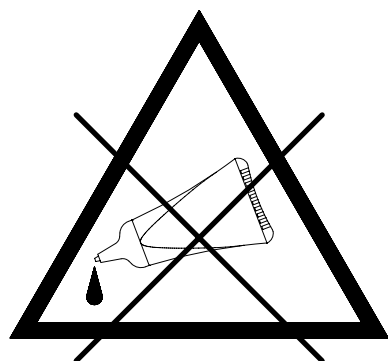
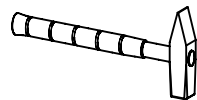


3

4x

16

8x40

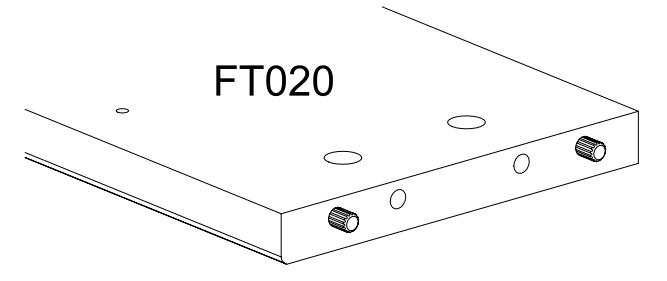
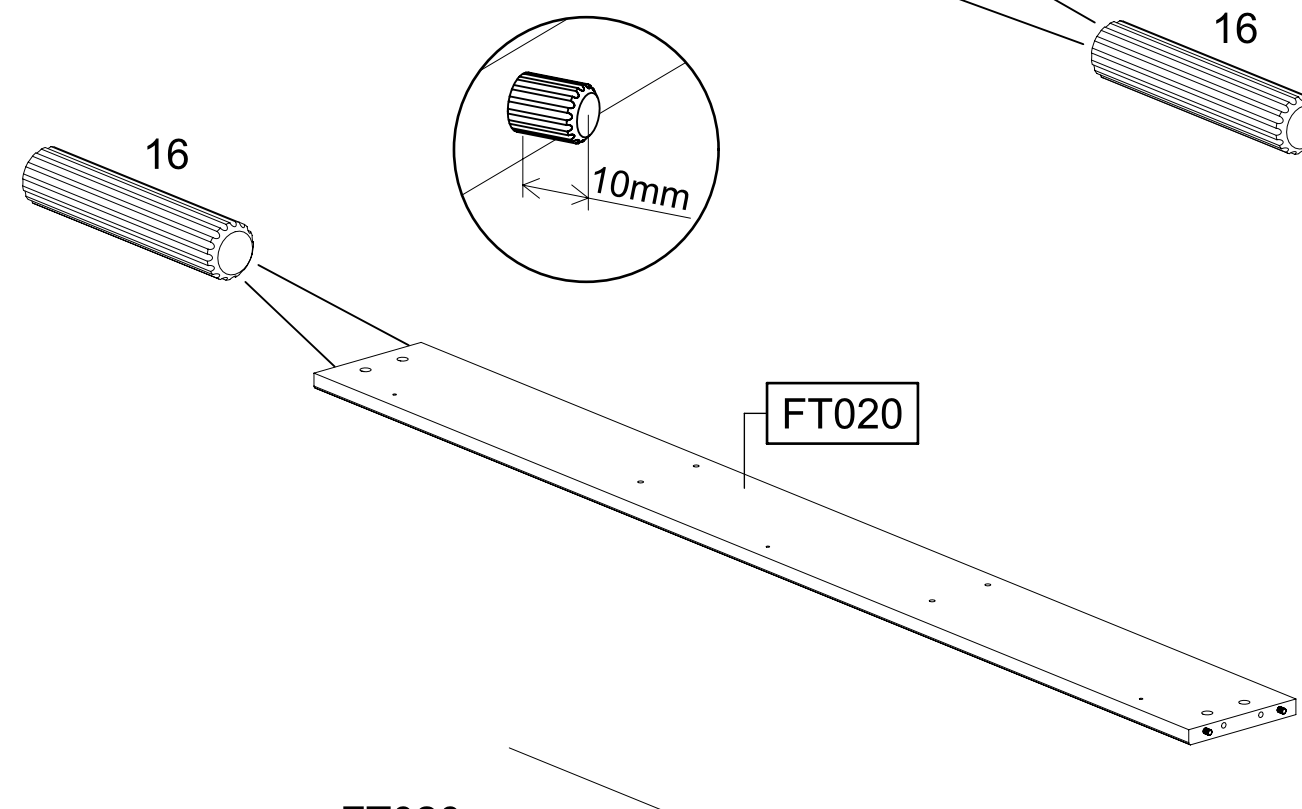
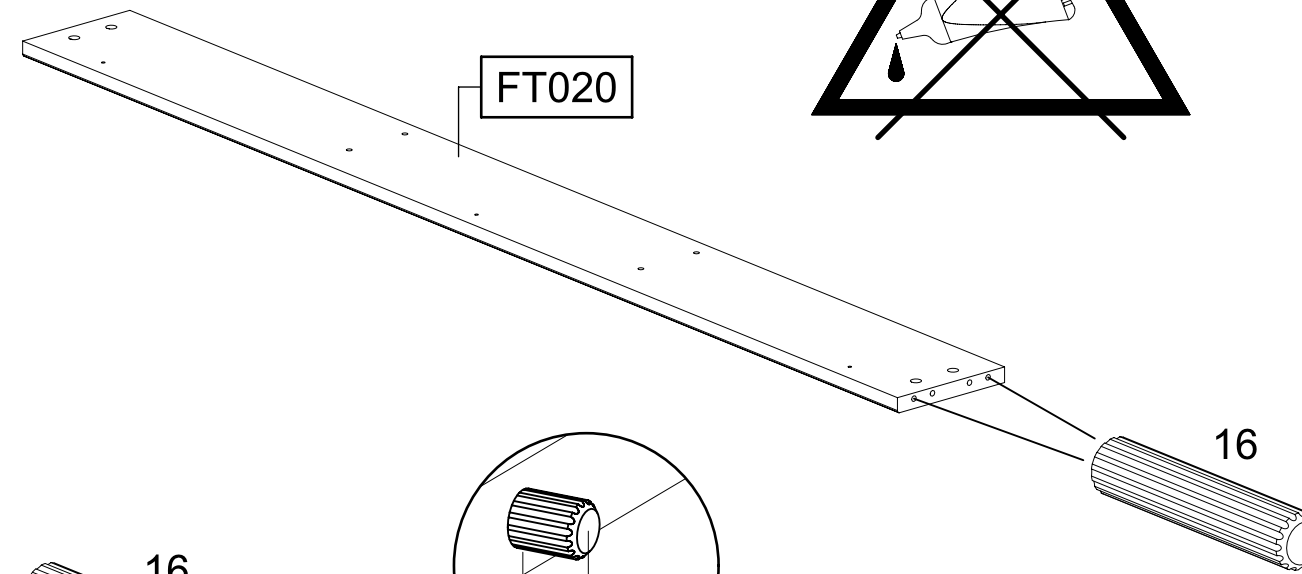
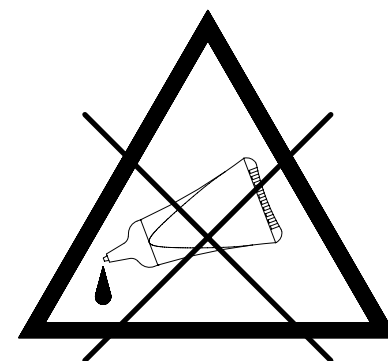
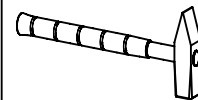


4

4x

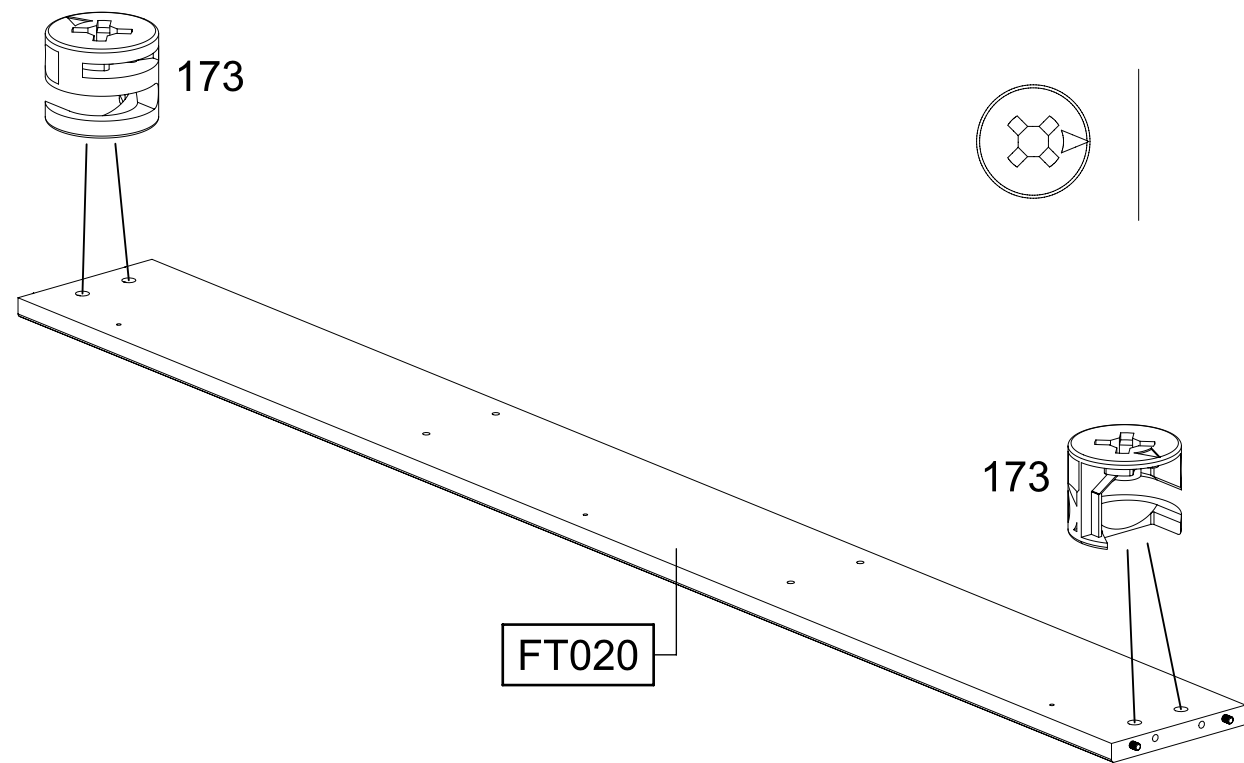
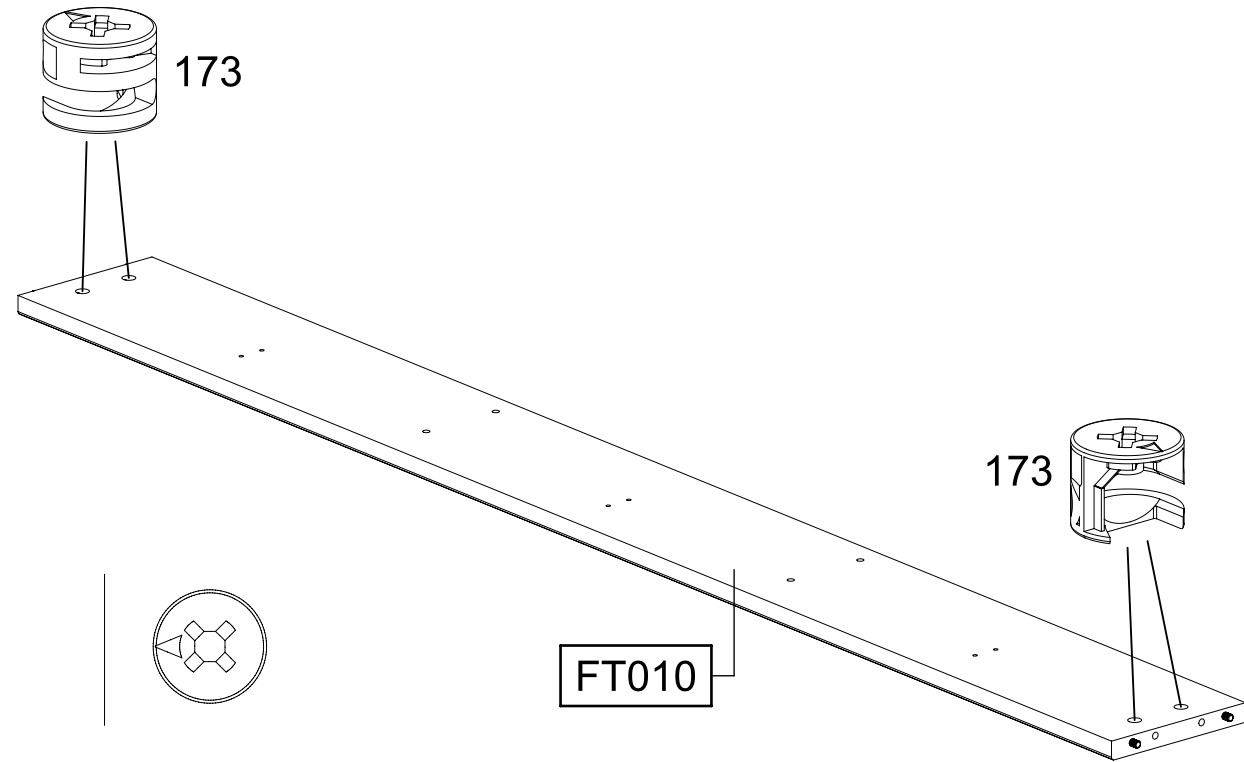
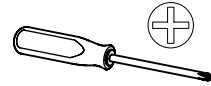
16

8x40



5

8x 173

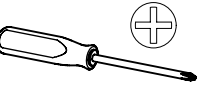
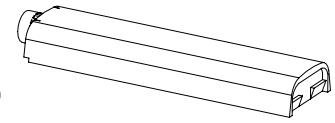


6

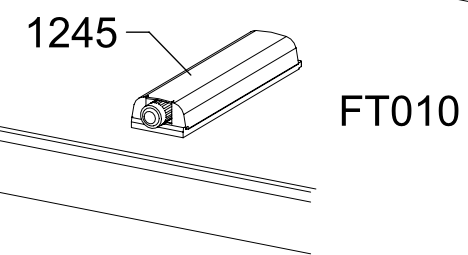
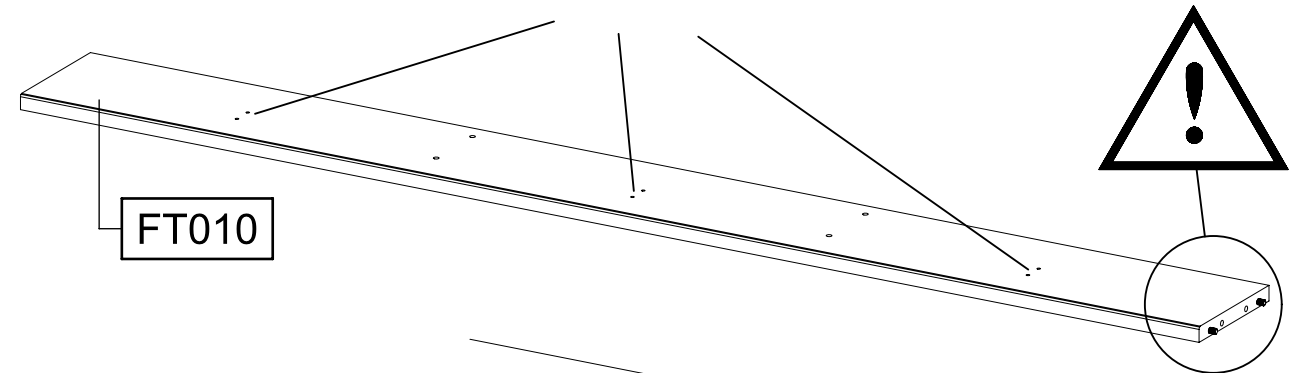
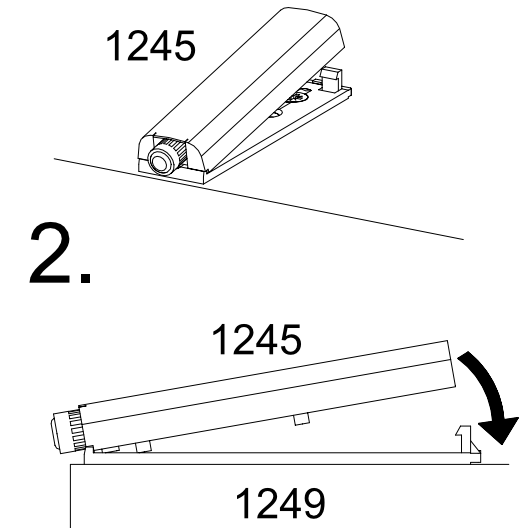
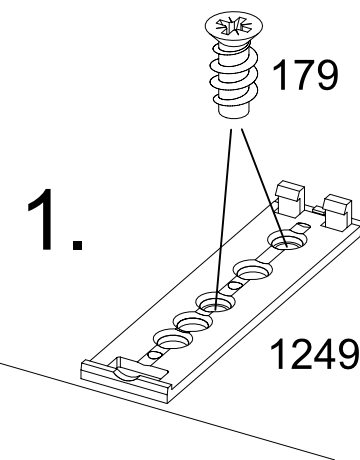
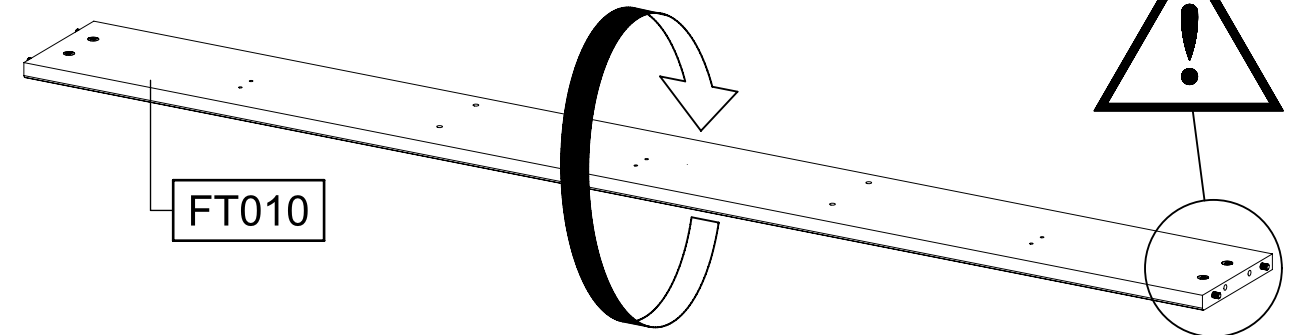
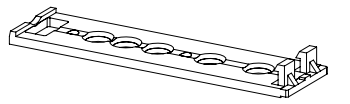
6x 179 6,3x13



3x 1245



3x 1249

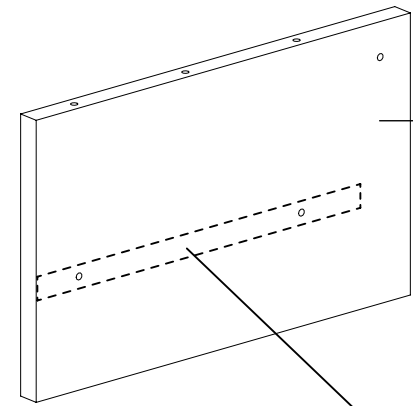
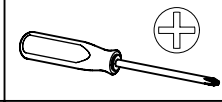


7

8x 534 6x8

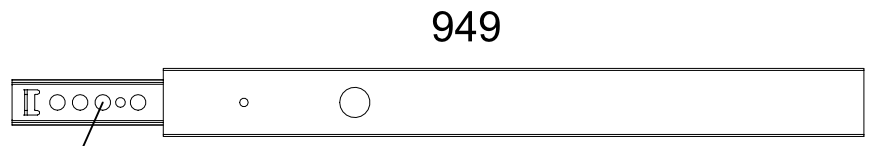
4x 949

278x27x10



MS010

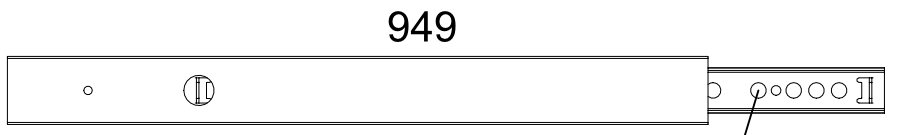
1.



949



534



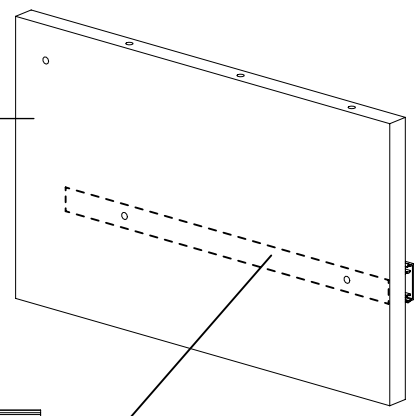
949



534

2.

MS010



949



534

1.

949



2.

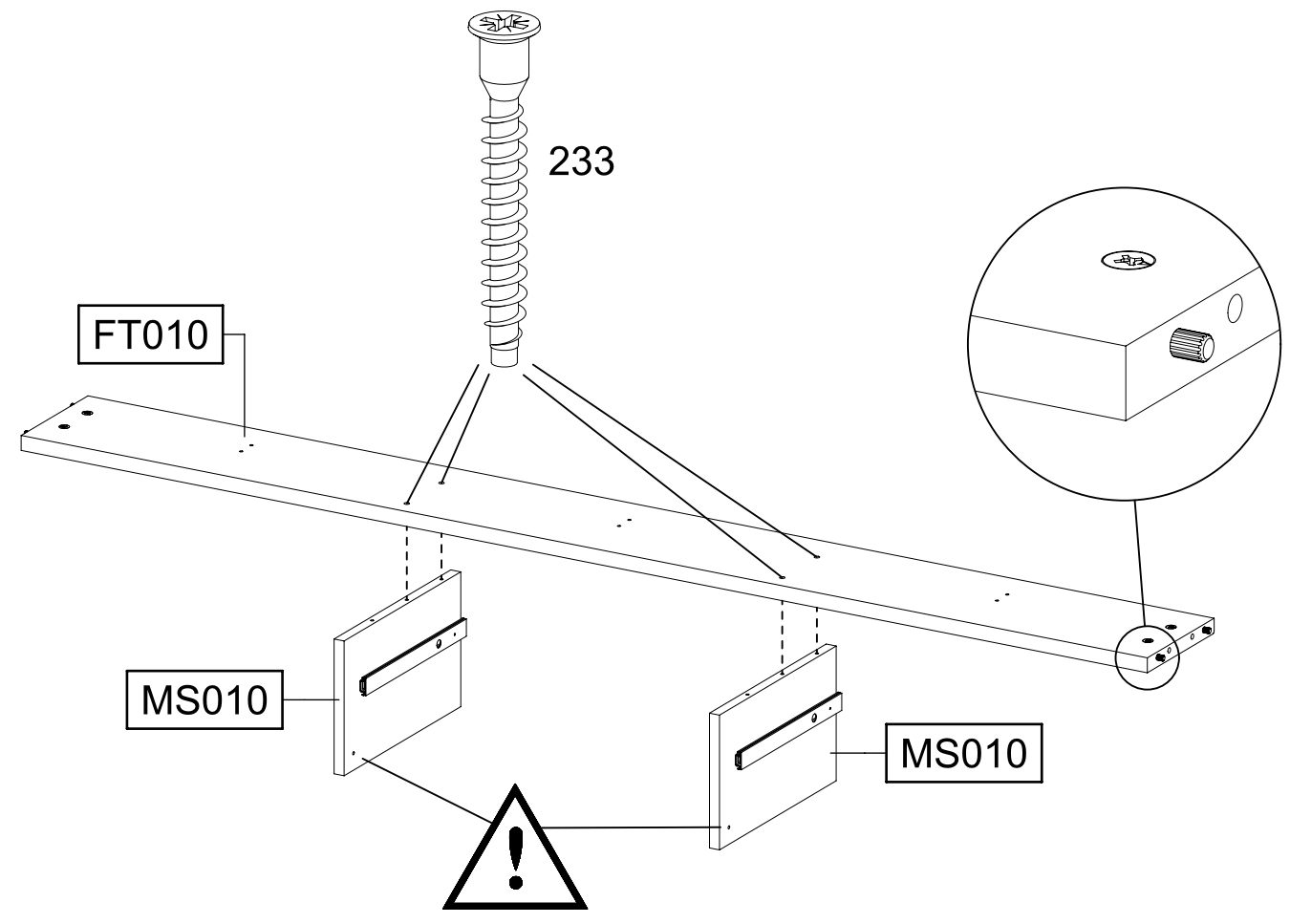
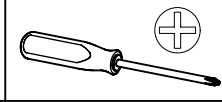


534

8

4x 233

6,3x50

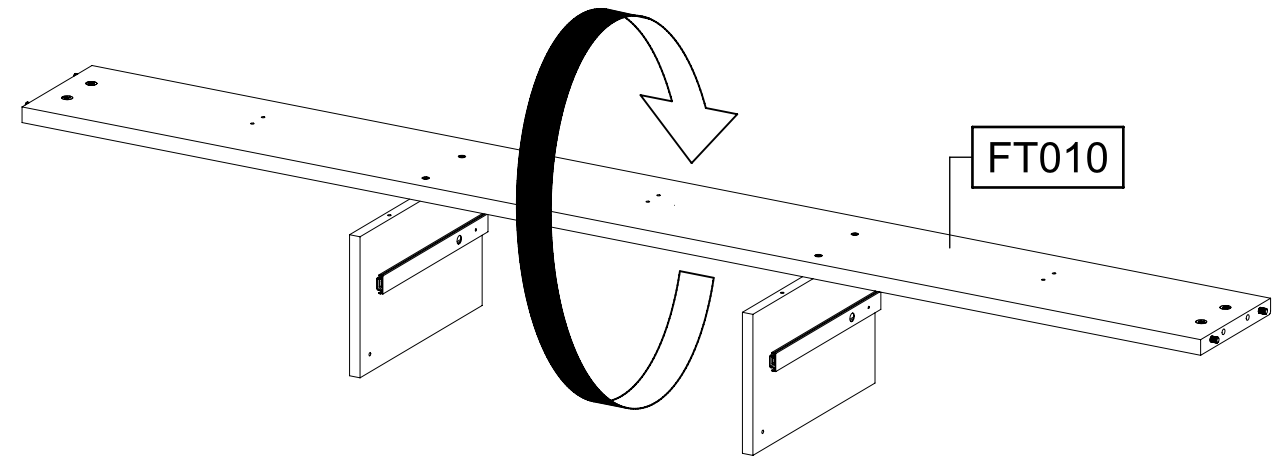


FT010

233

MS010

MS010

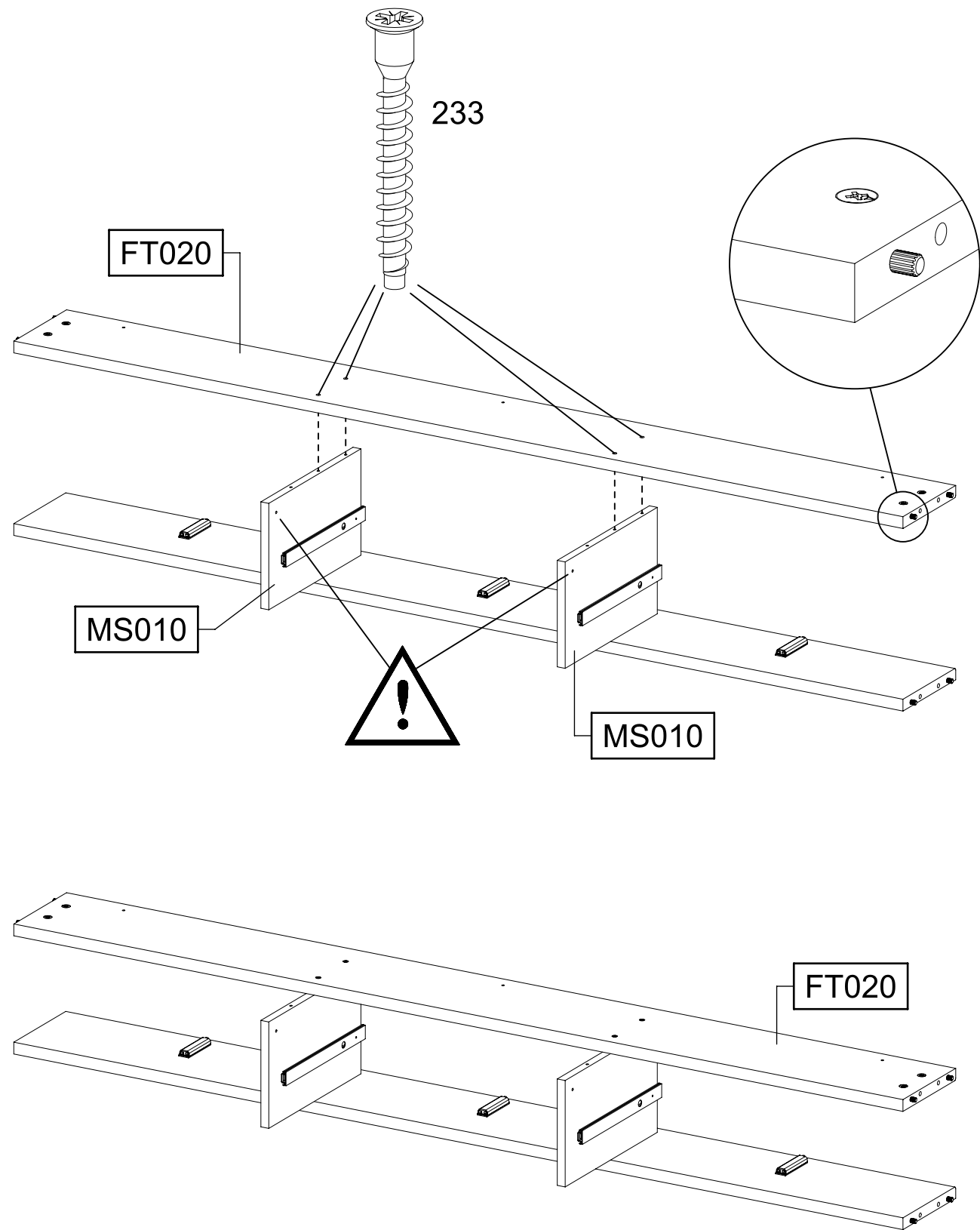
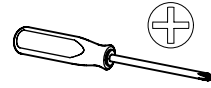
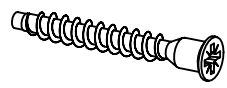


FT010

9

4x 233

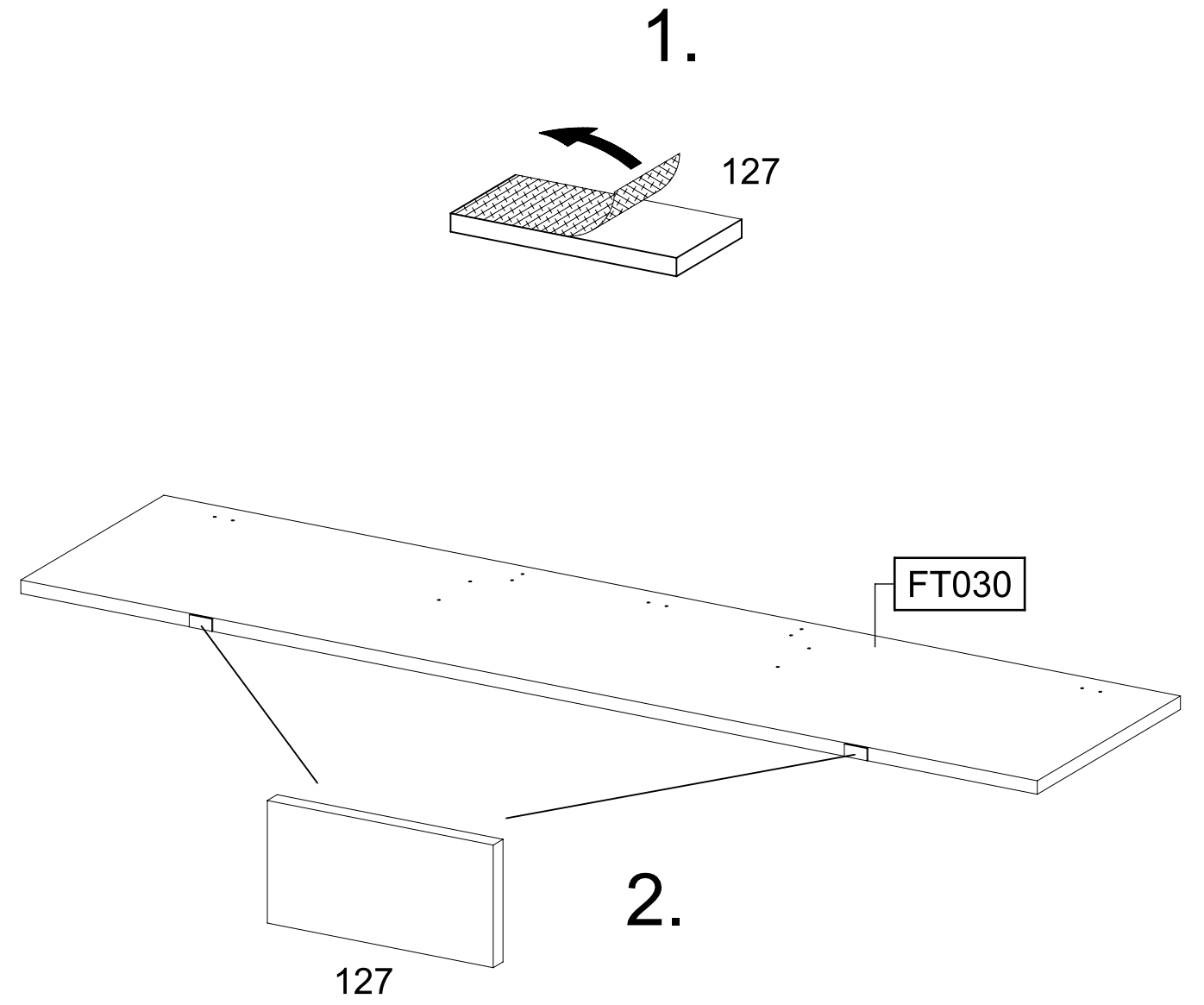
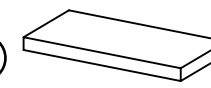
6,3x50



10

2x 127

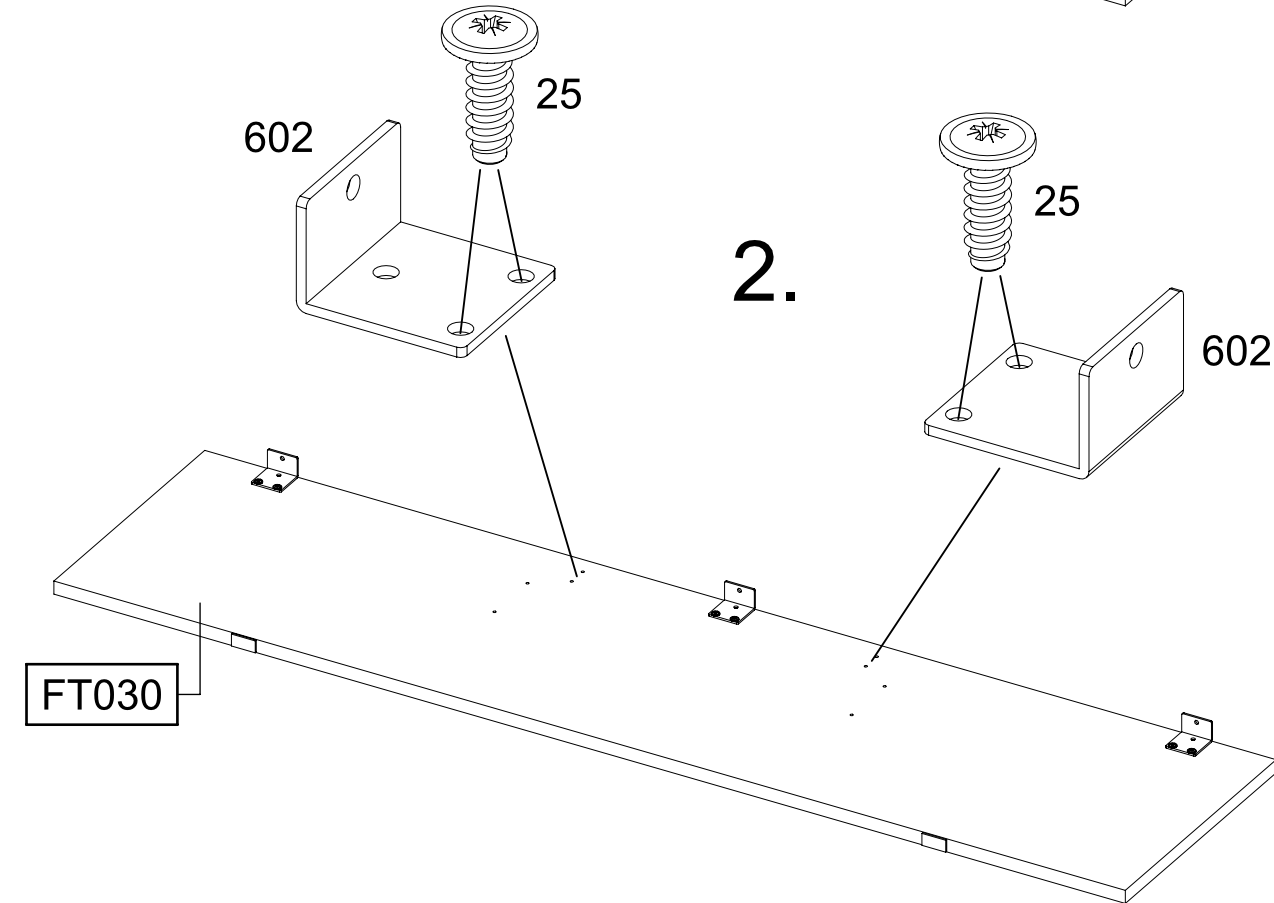
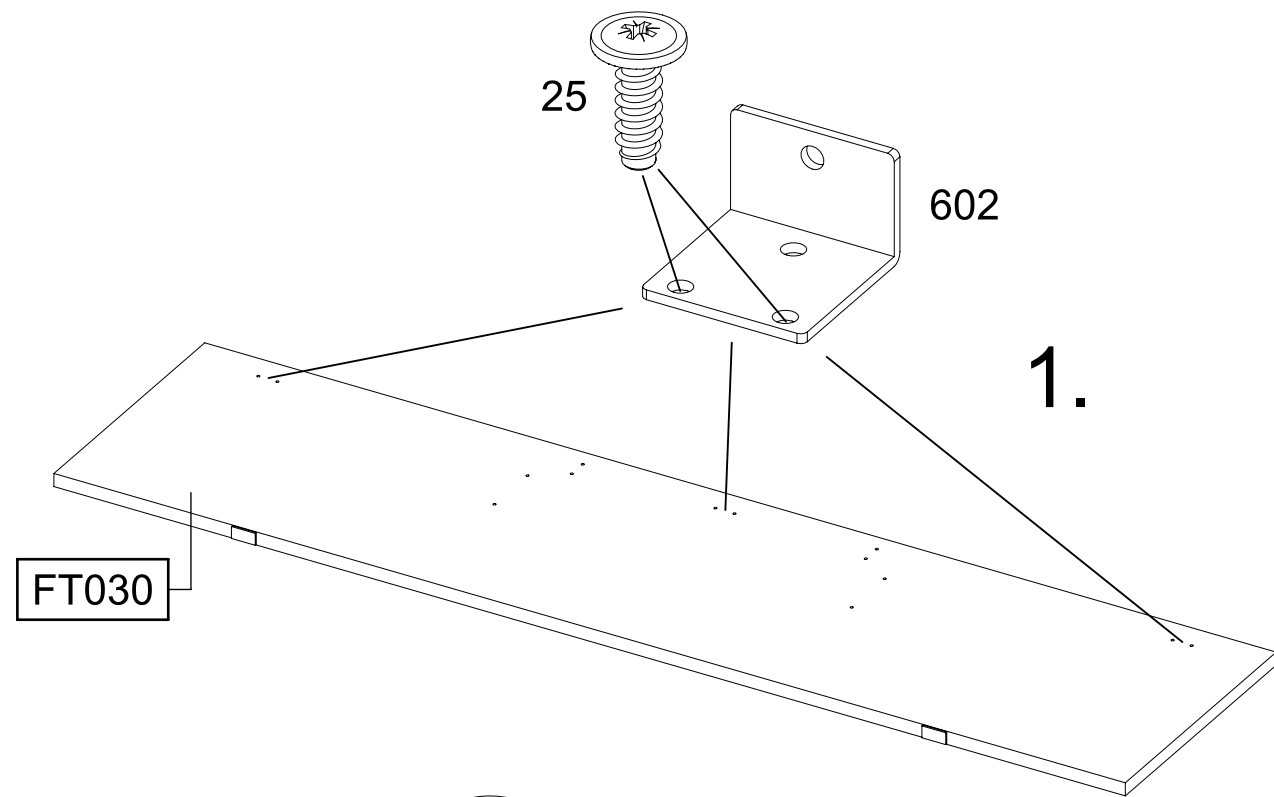
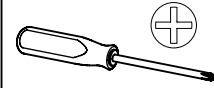
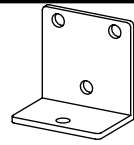
40x20x3



11

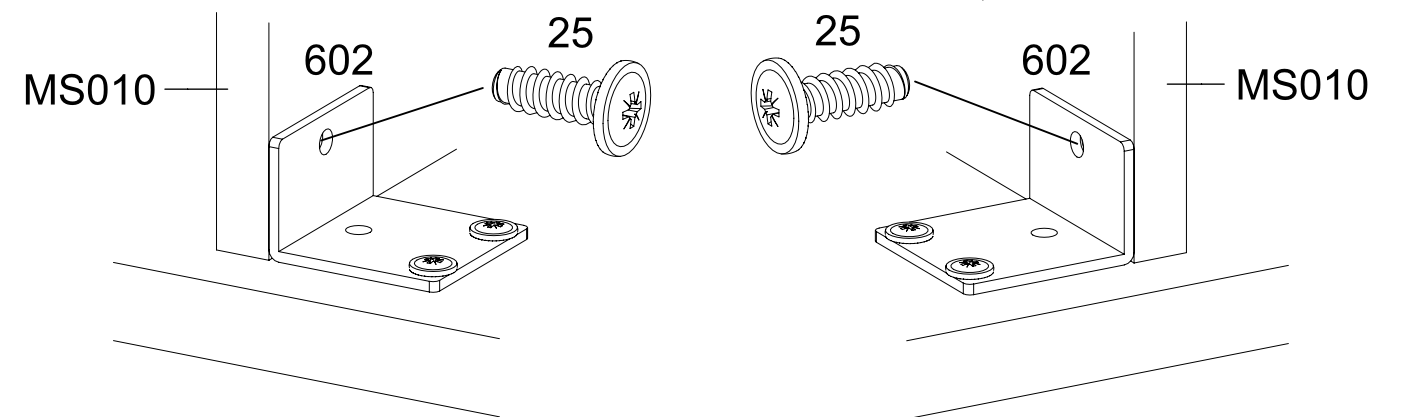
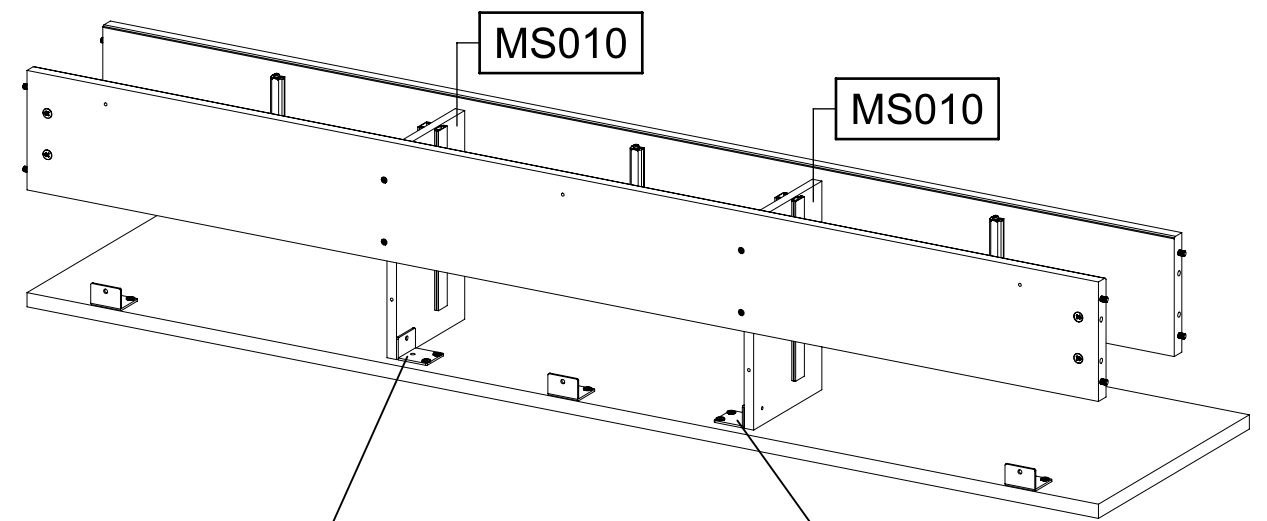
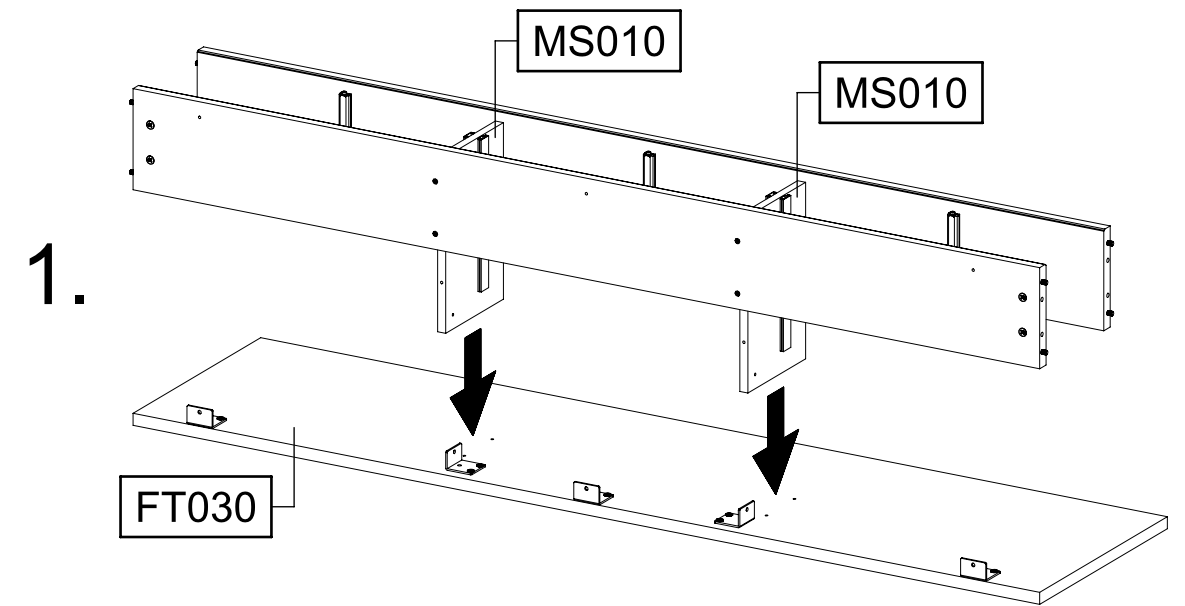
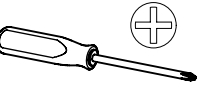
10x 25 6,3x18

5x 602



12

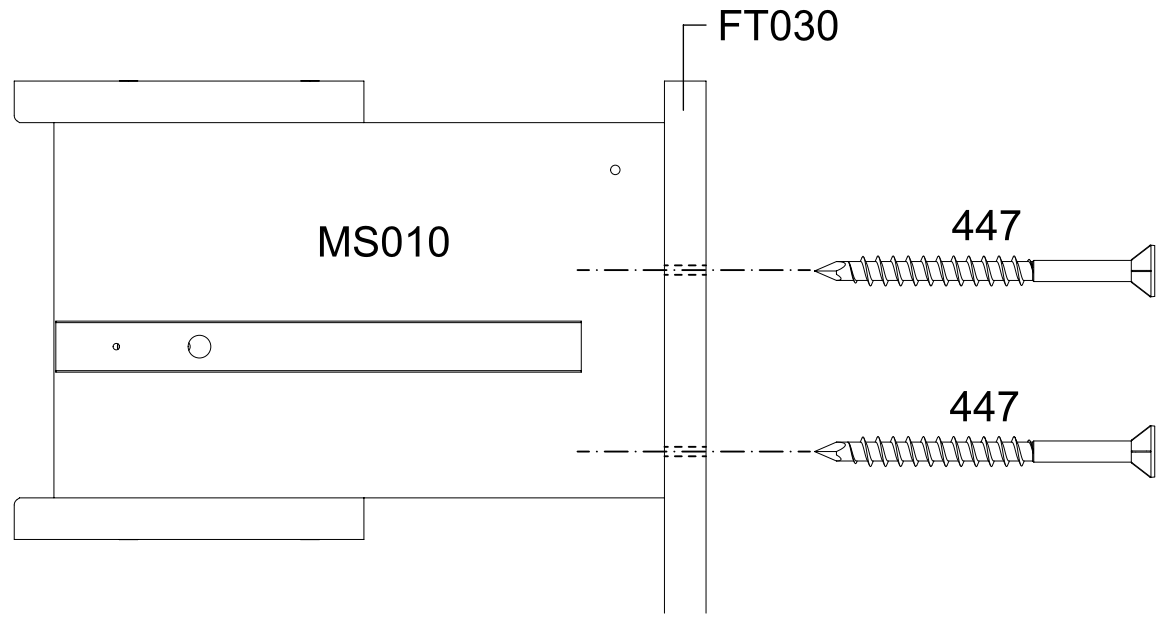
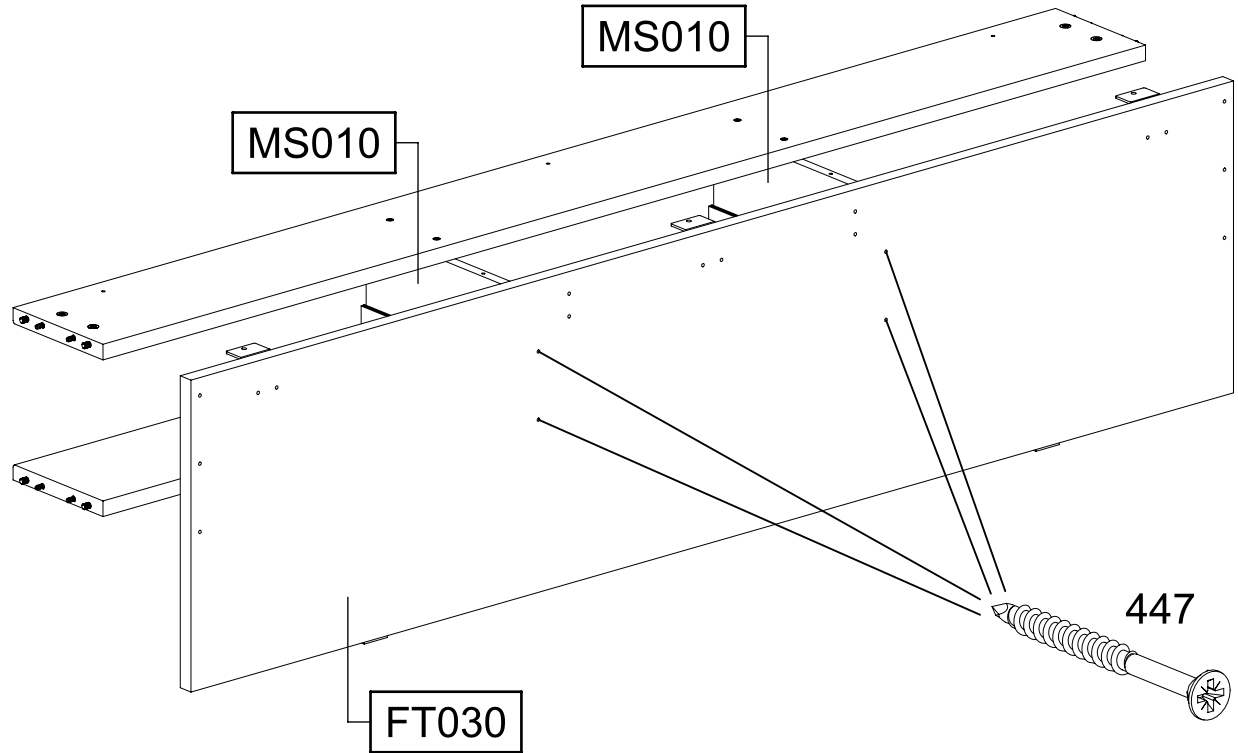
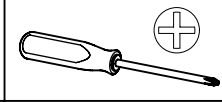
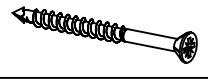
2x 25 6,3x18



13

4x 447

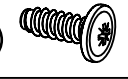
4,0x45



14

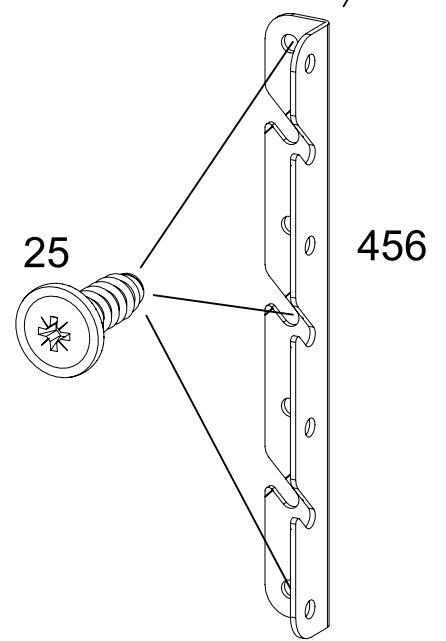
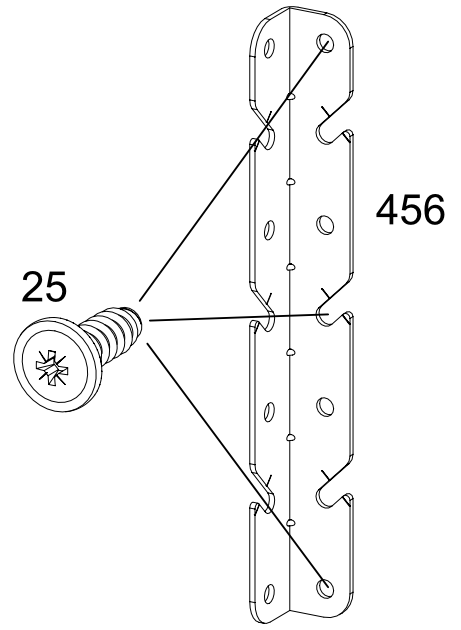
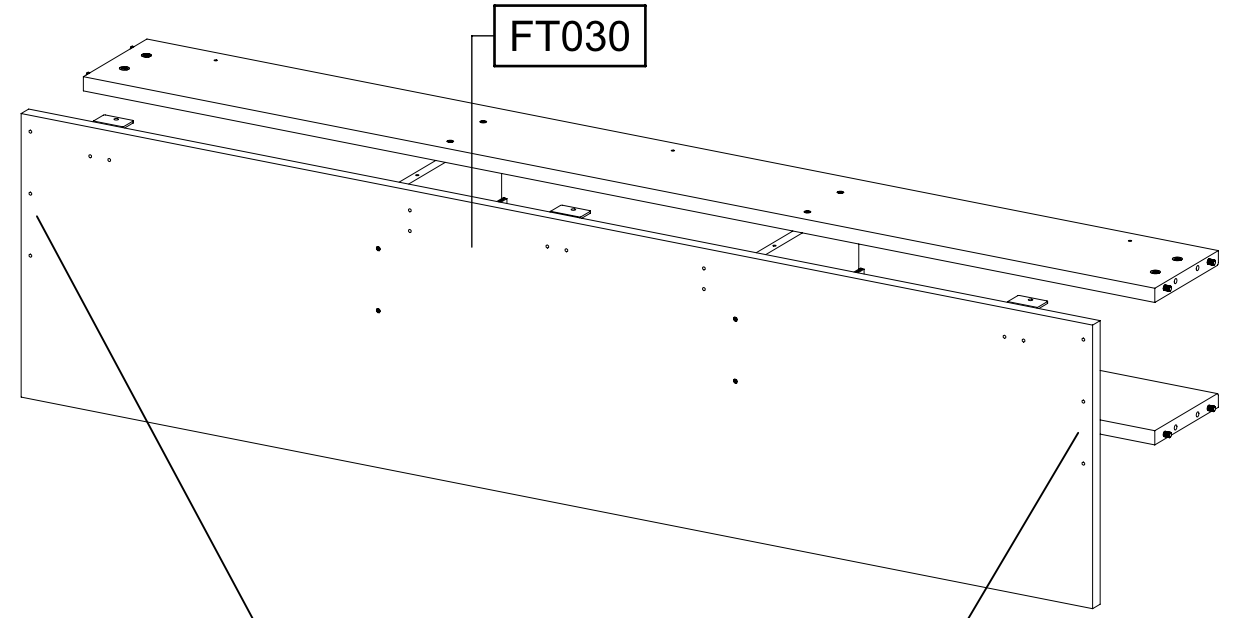
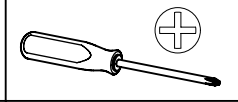
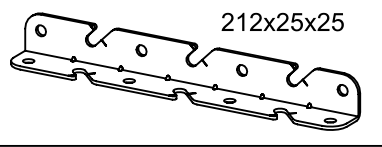
6x 25

6,3x18



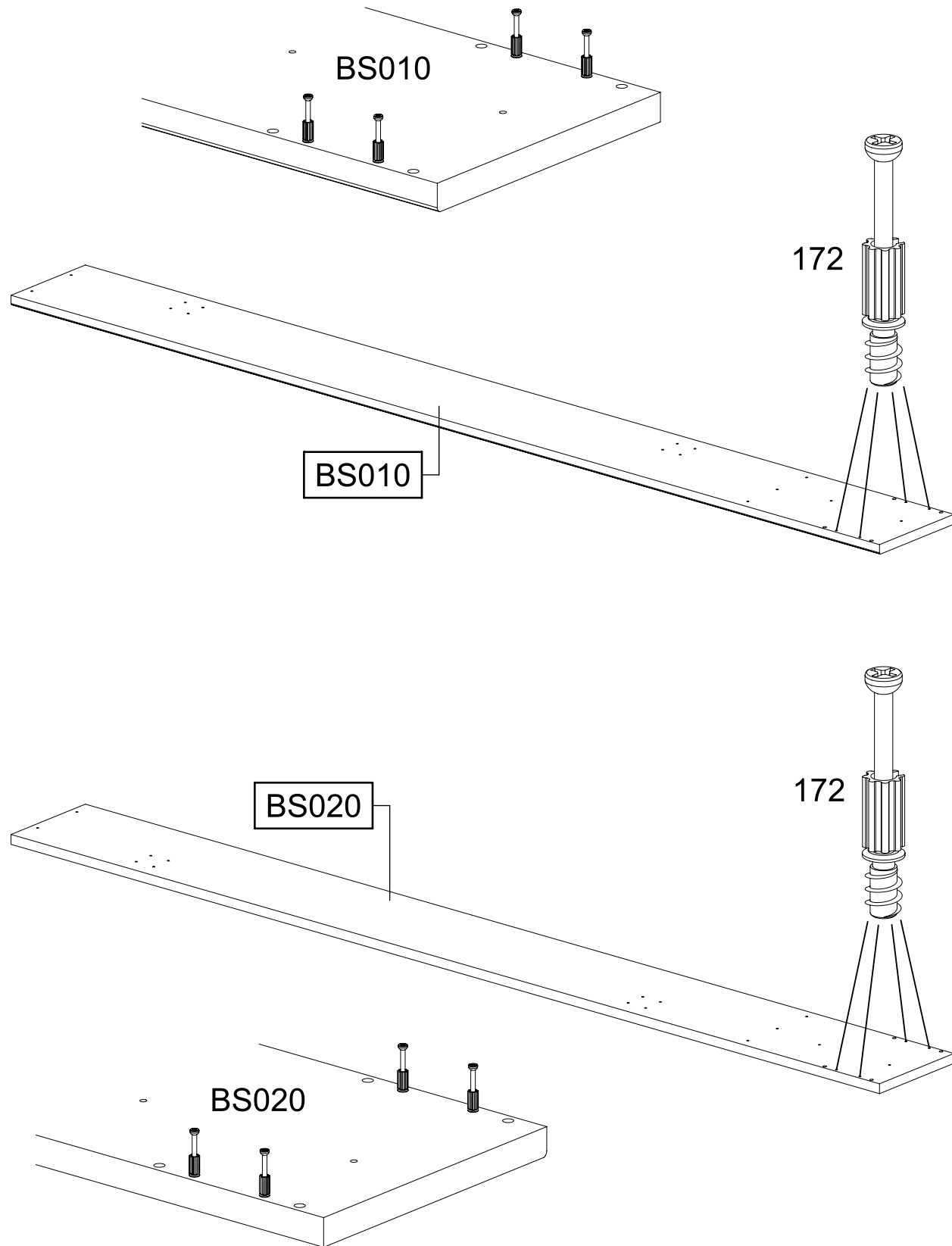
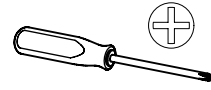
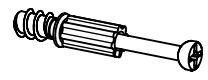
2x 456

212x25x25



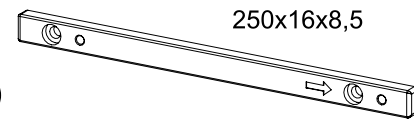
15

8x 172



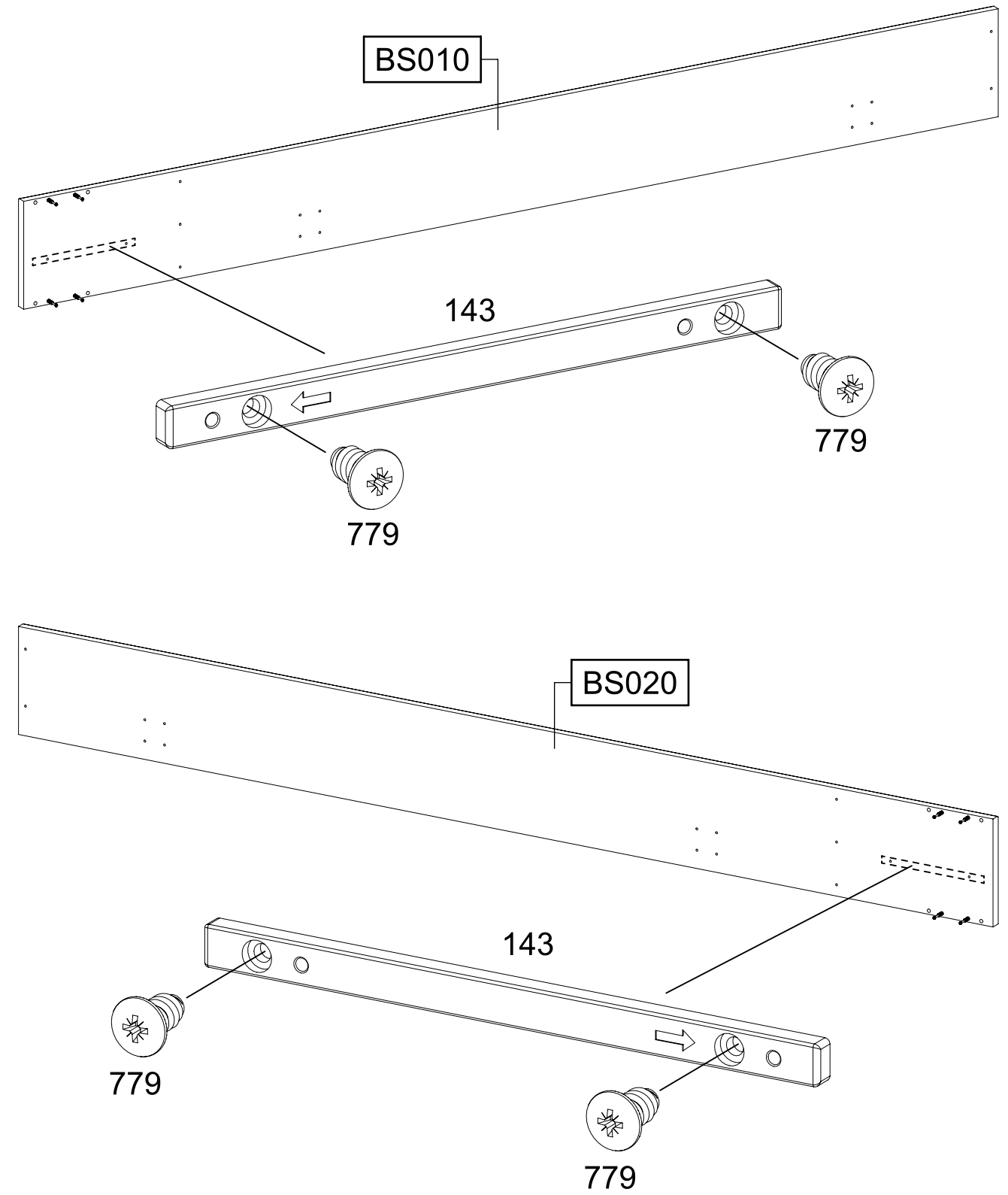
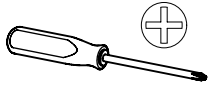
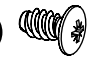
16

2x 143



4x 779

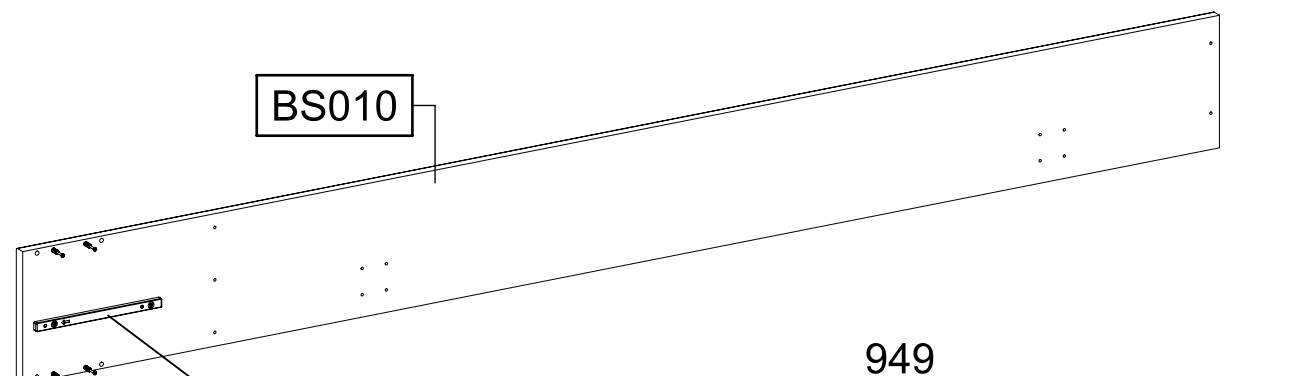
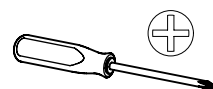
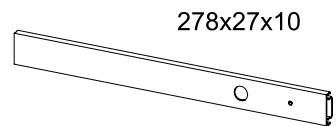
6,5x12



17

4x 534 6x8

2x 949



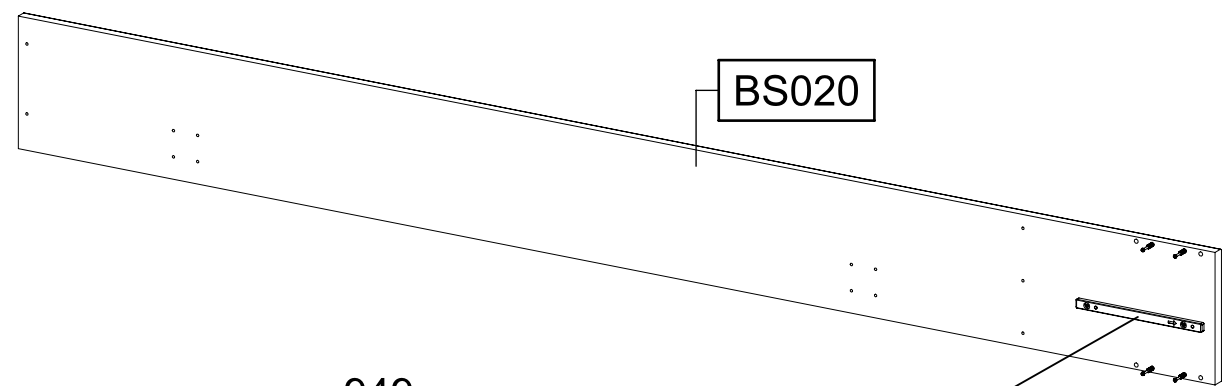
1.



949



2.



BS020

949



1.



534

949



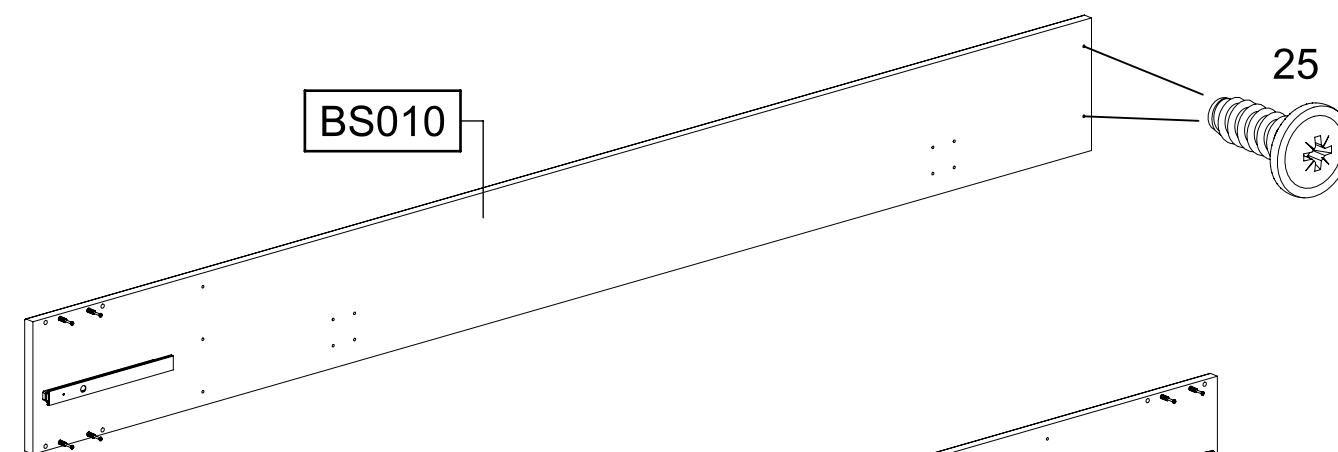
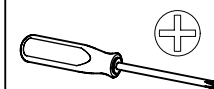
2.



534

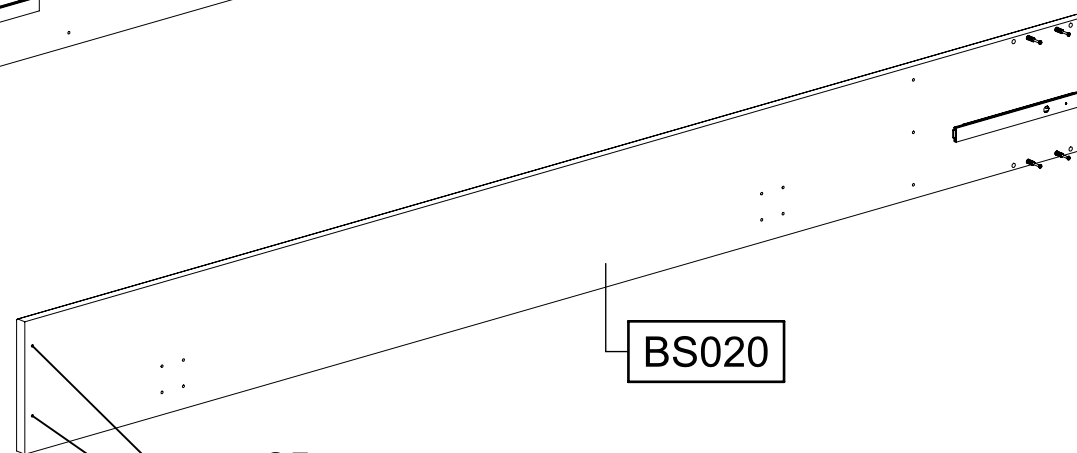
18

4x 25 6,3x18



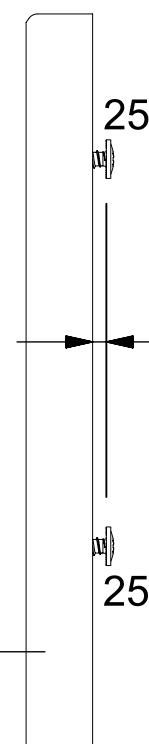
BS010

25



BS020

25



5mm



BS010
BS020

19

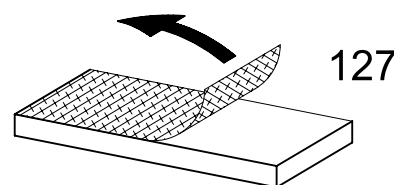
2x

127

40x20x3



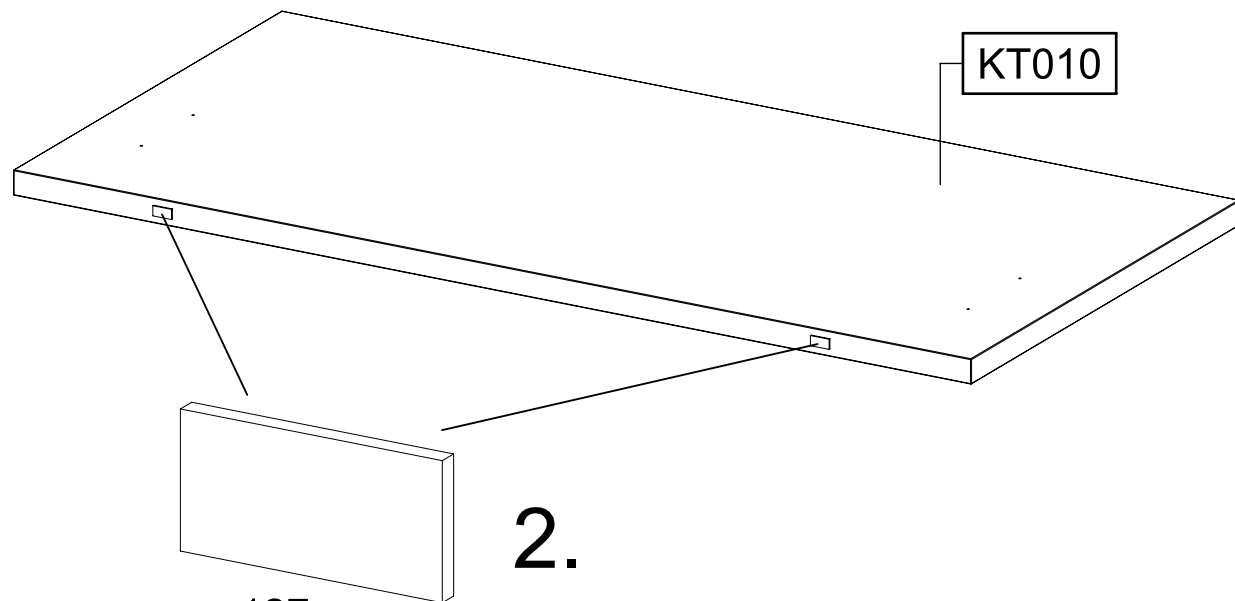
1.



KT010

2.

127

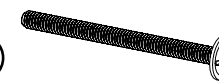


20

4x

80

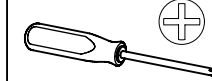
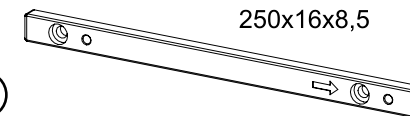
M4x50



2x

143

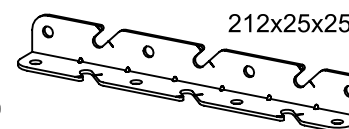
250x16x8,5



2x

456

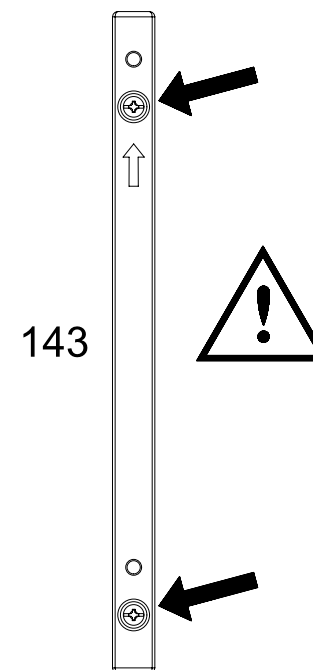
212x25x25



4x

580

M4



1.

80

143

KT010

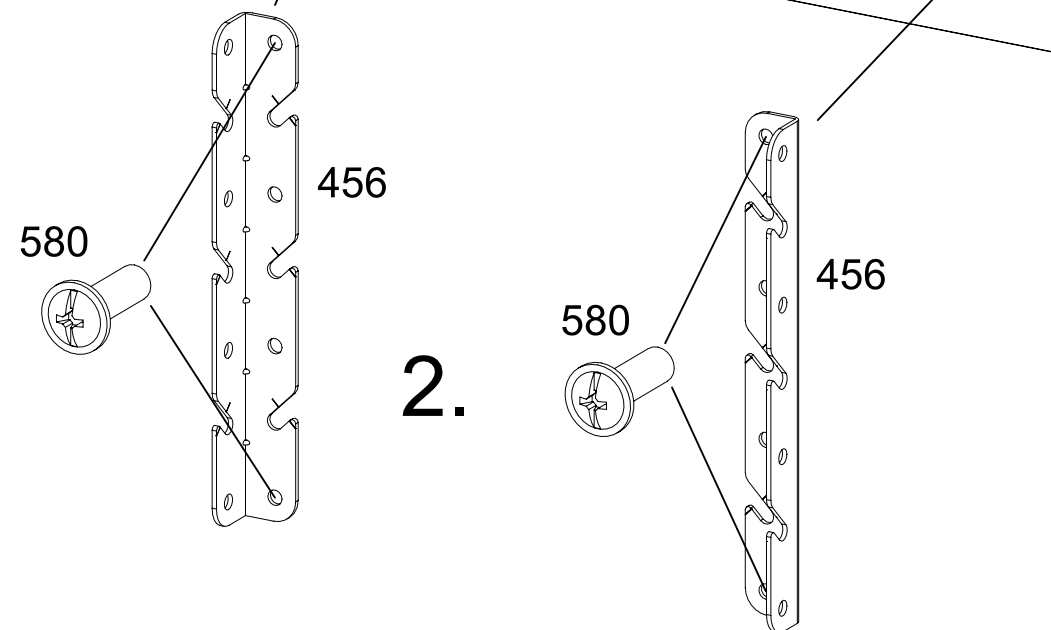
580

456

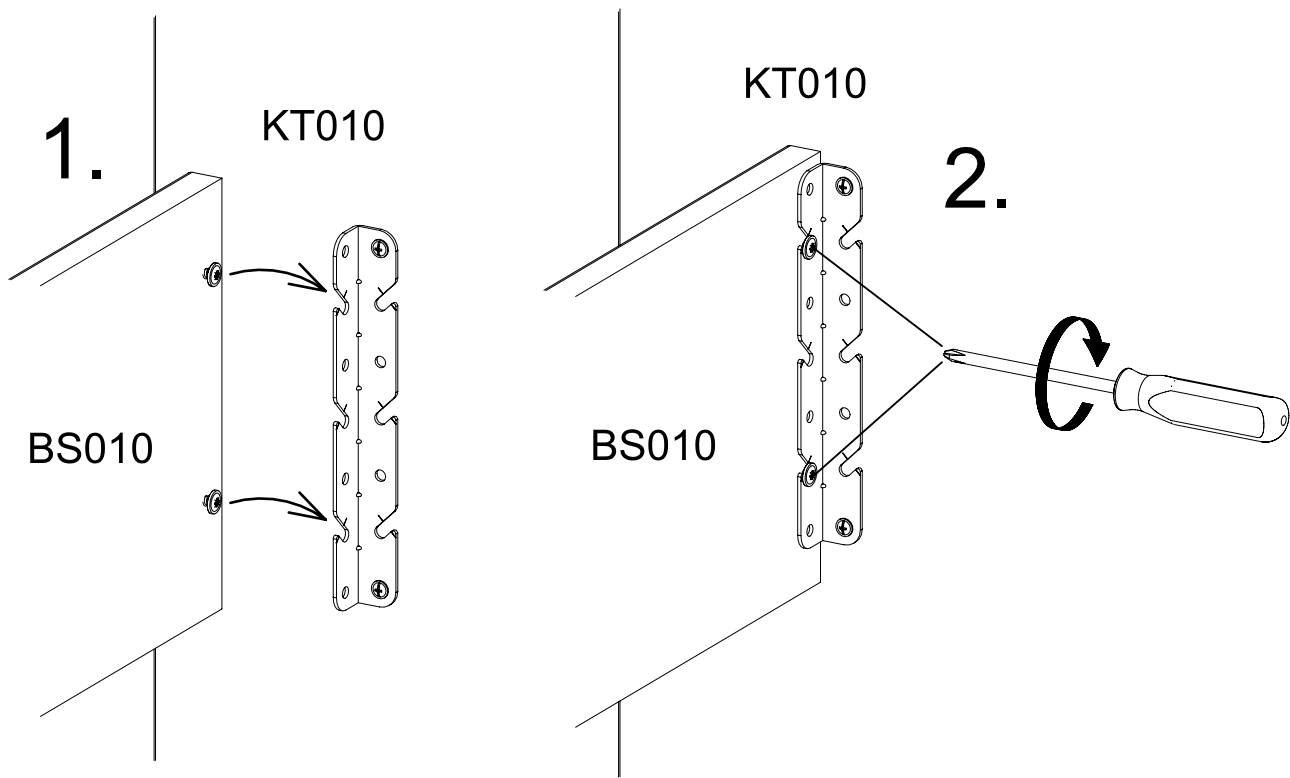
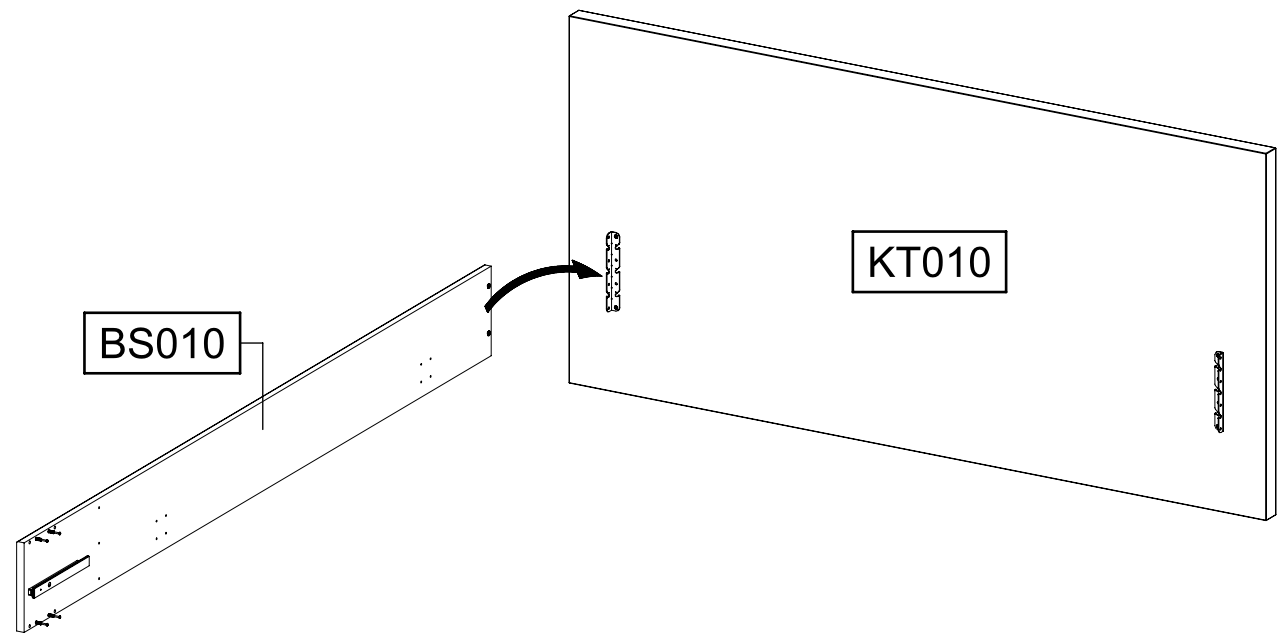
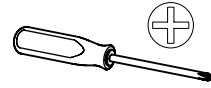
2.

580

456



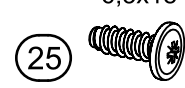
21



22

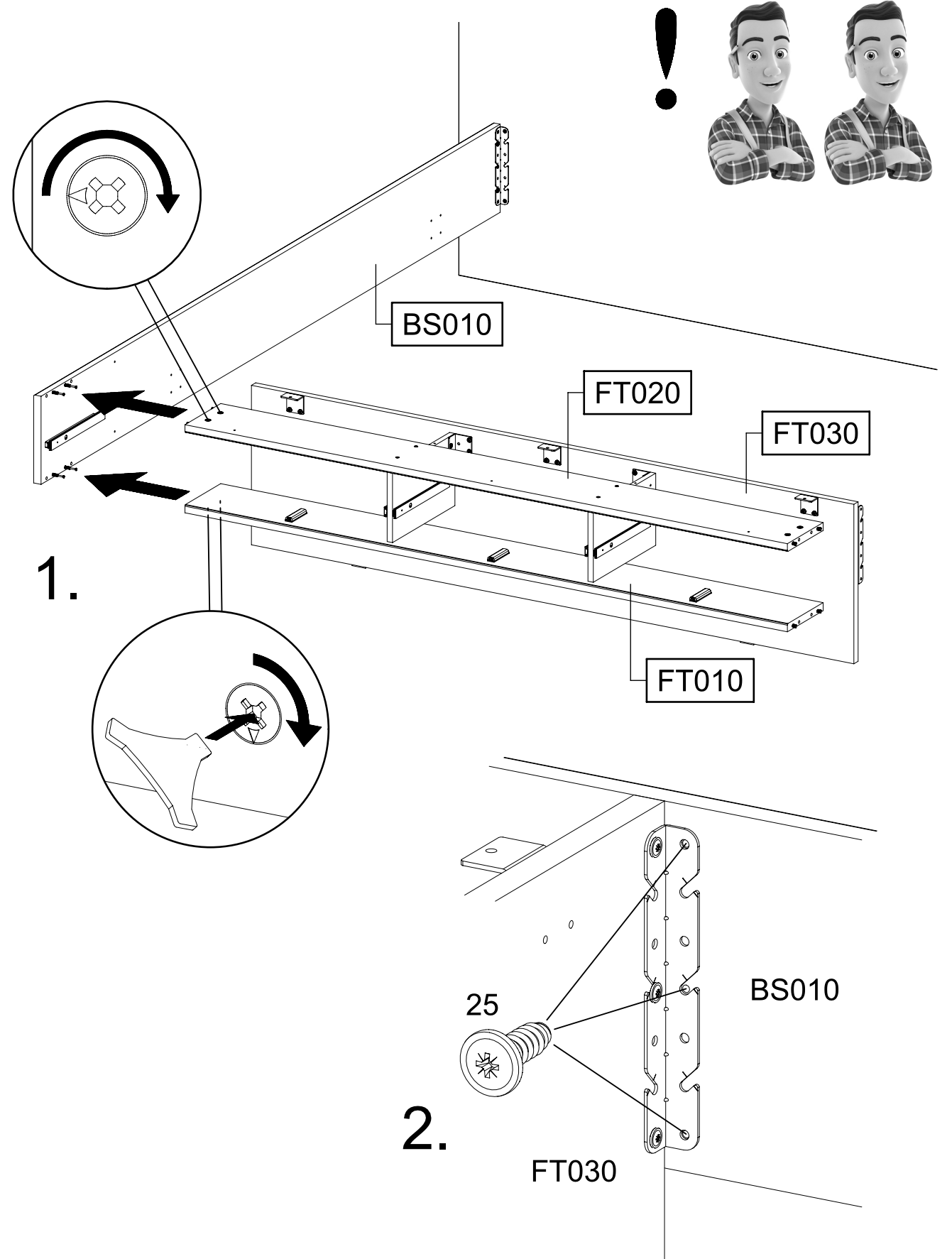
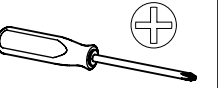
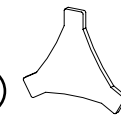
3x

6,3x18



1x

996



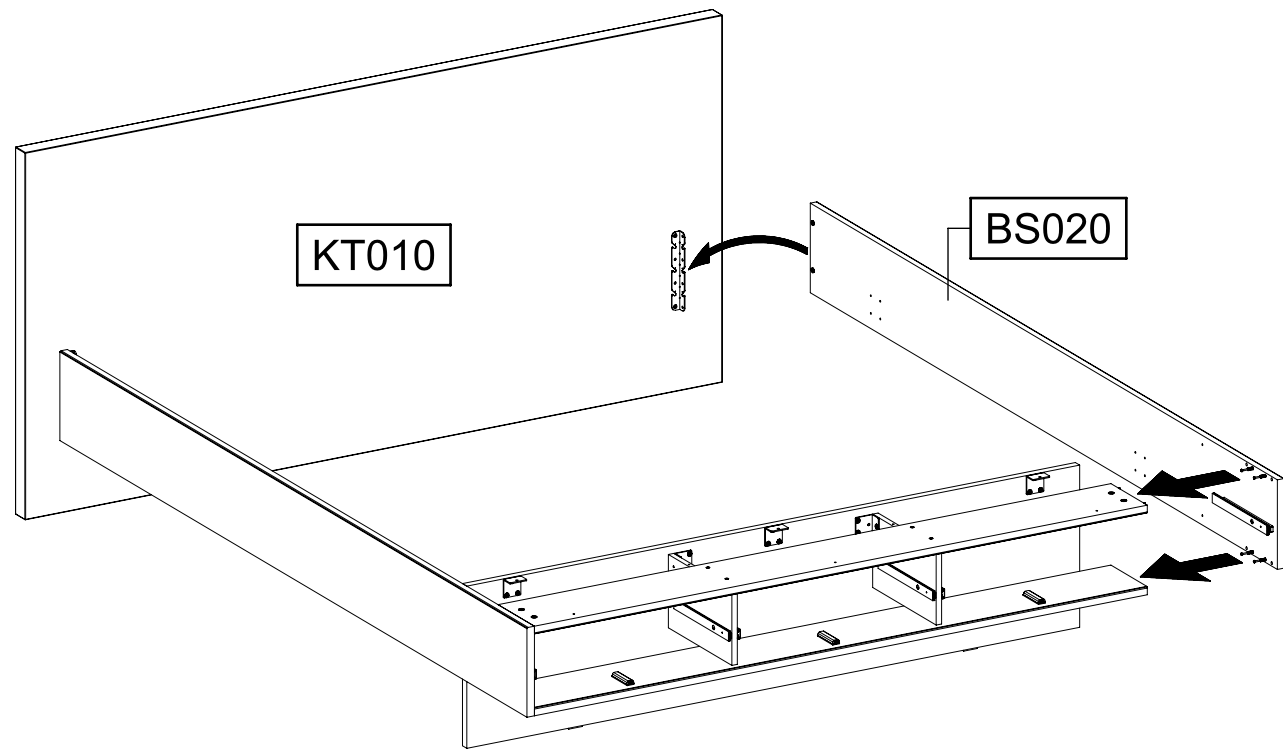
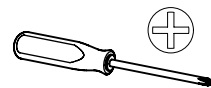
2.

25

FT030

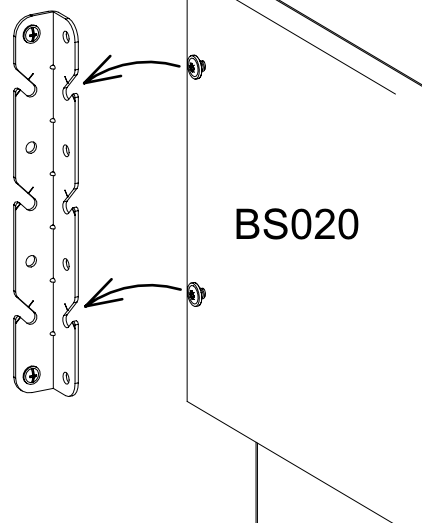
BS010

23



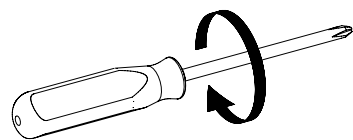
KT010

1.



BS020

2.



KT010

BS020

24

3x

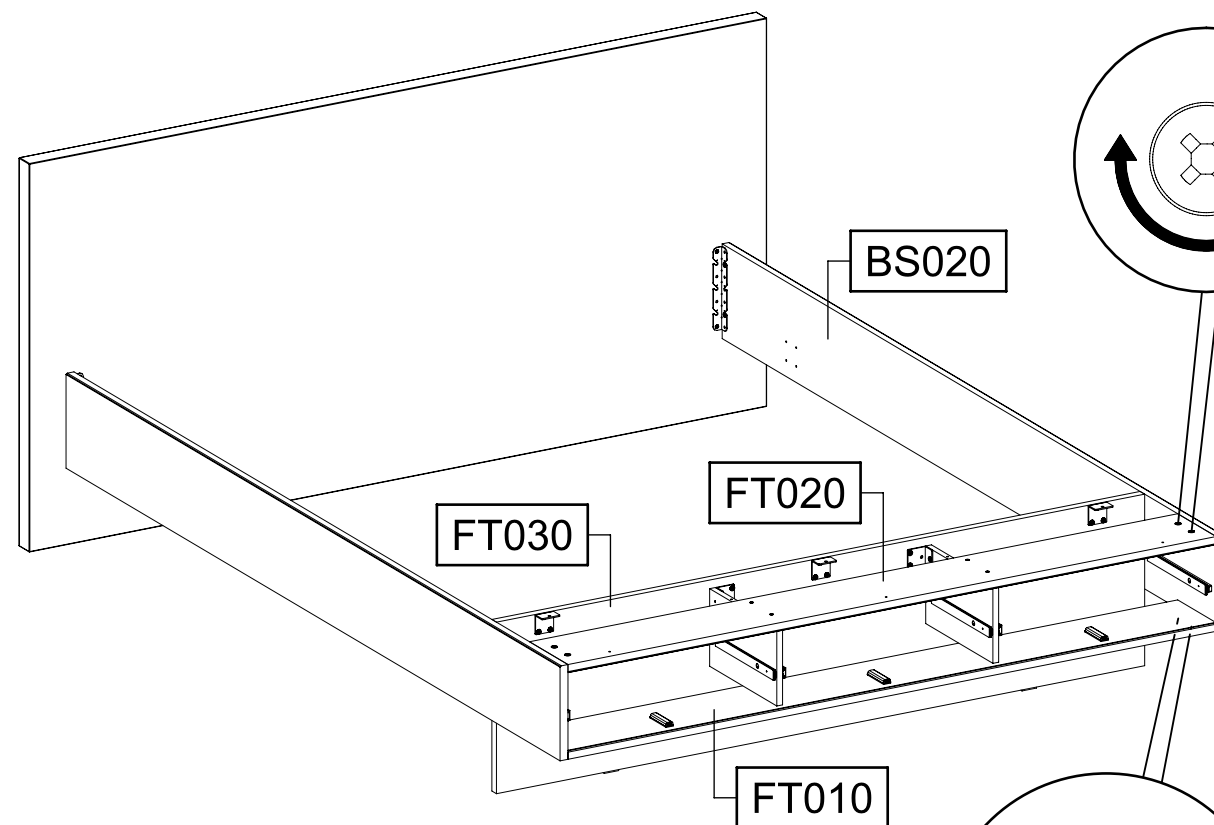
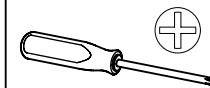
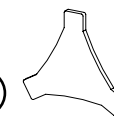
25

6,3x18



1x

996



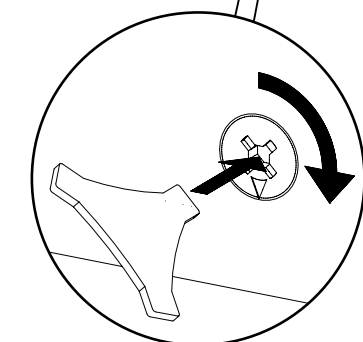
BS020

FT030

FT020

FT010

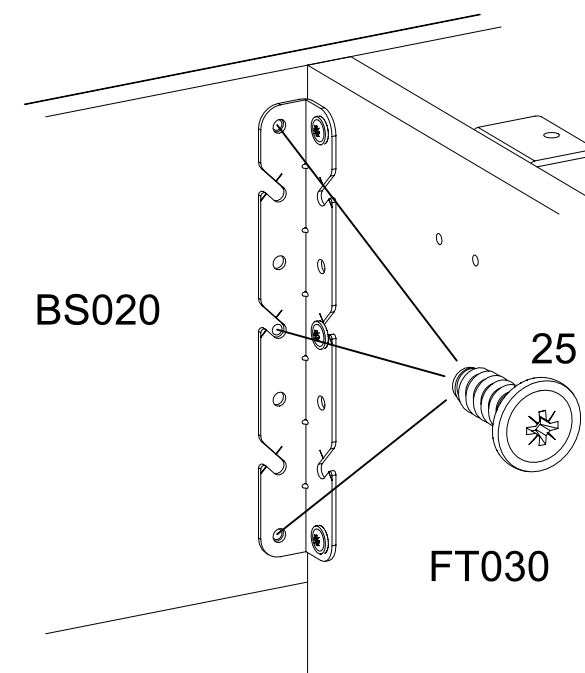
1.



BS020

25

2.



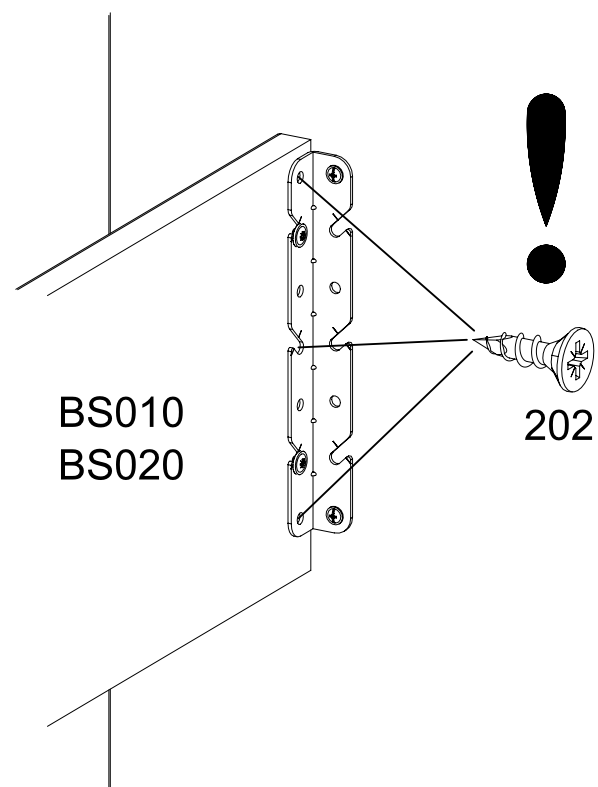
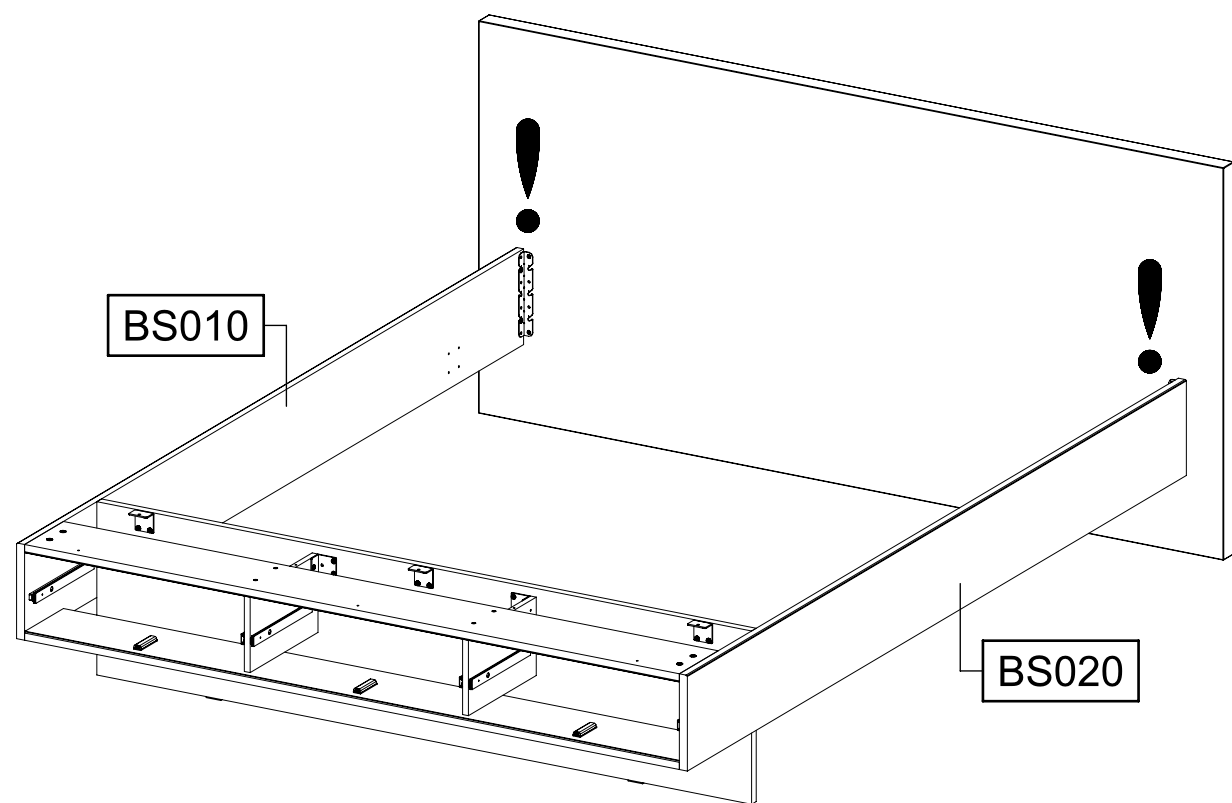
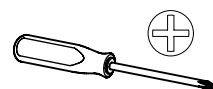
FT030

25

6x

202

4,5x16



26

3x

244

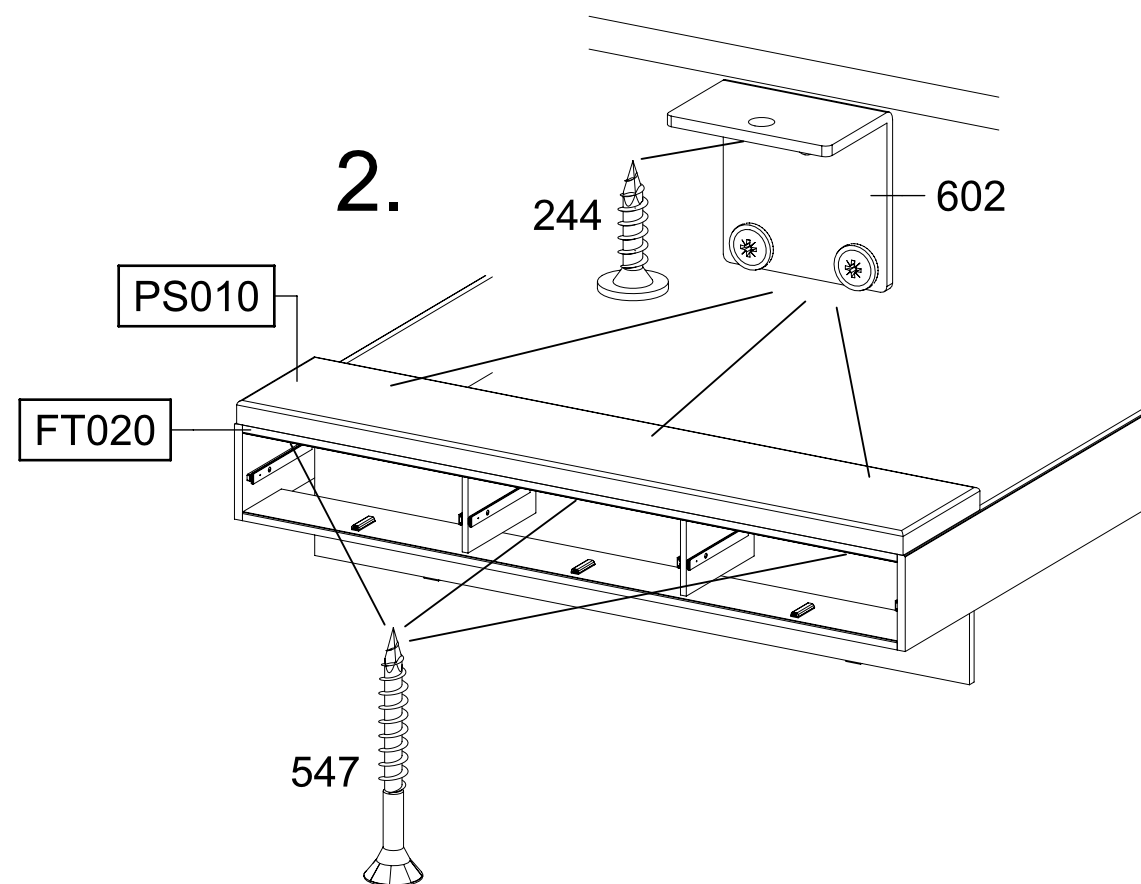
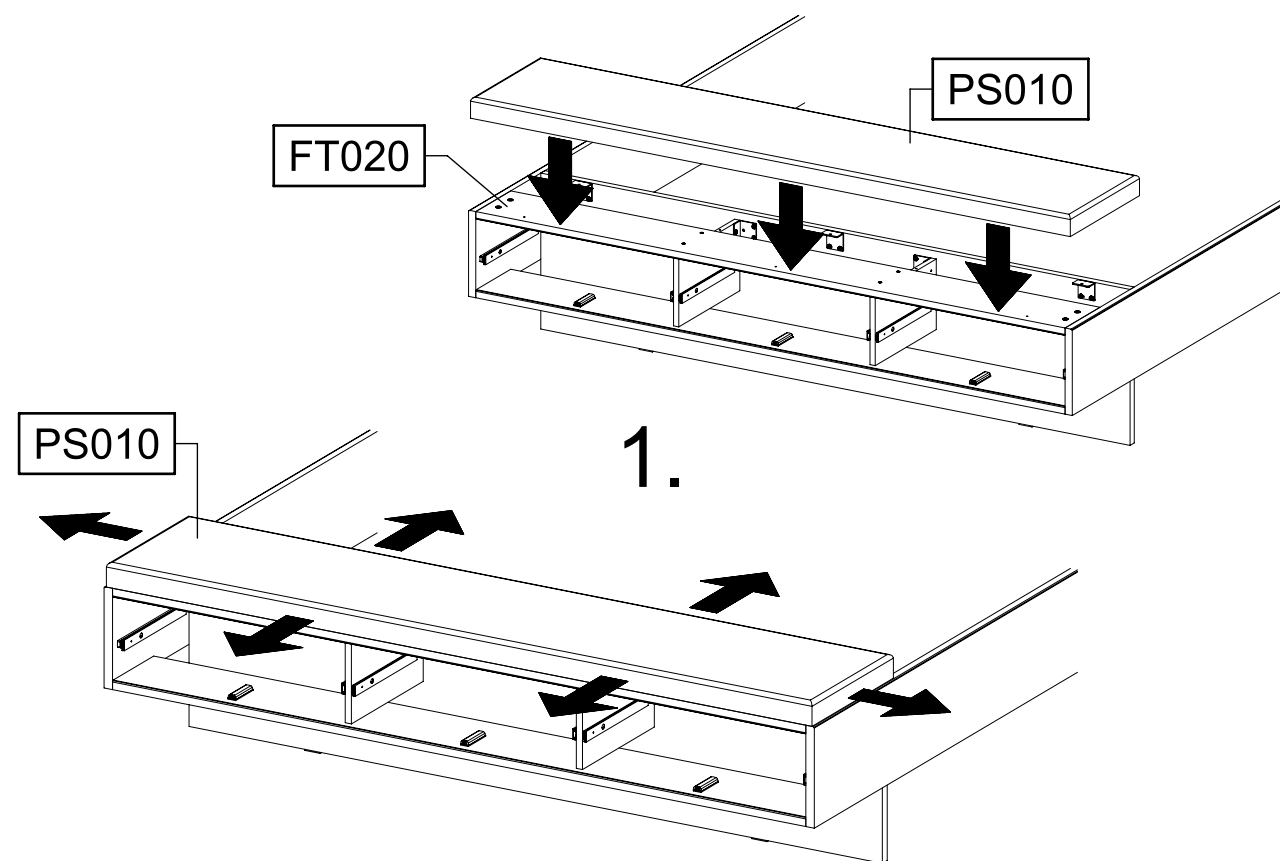
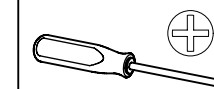
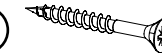
4x17



3x

547

4x35

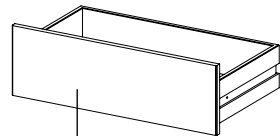
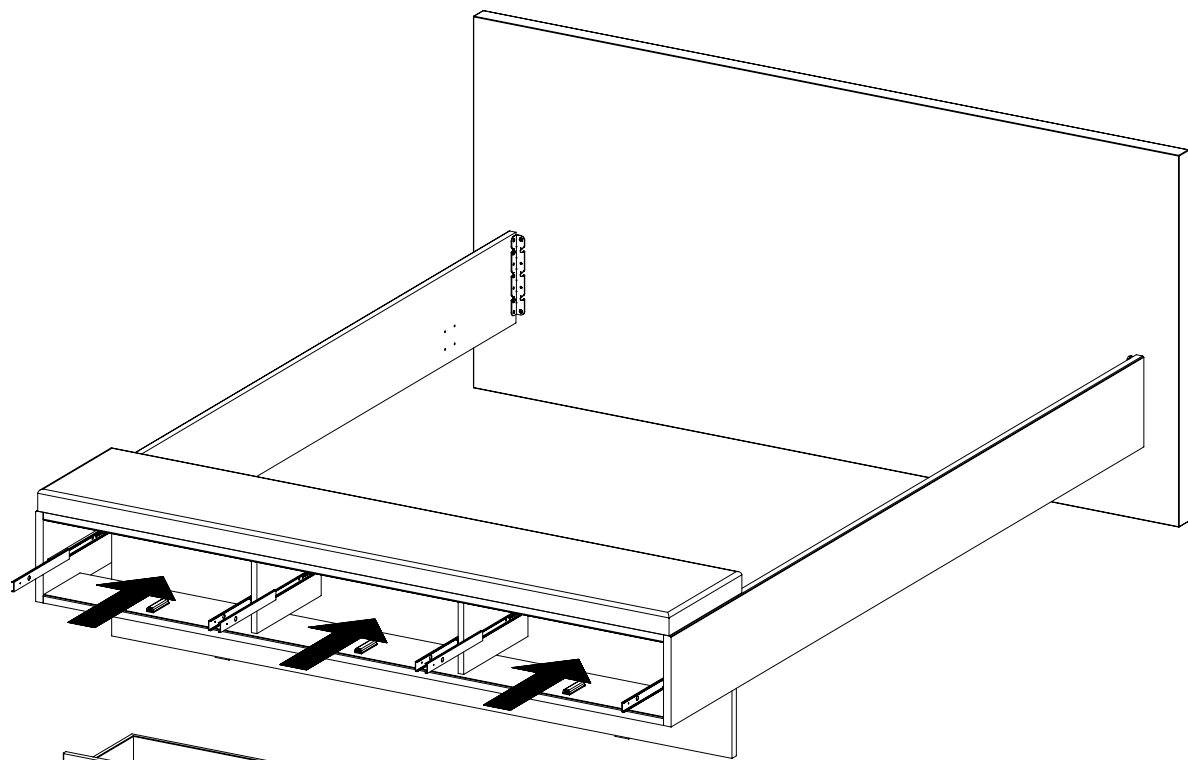
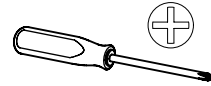


27

6x

568

M4x9



SK010

SK020

SK030

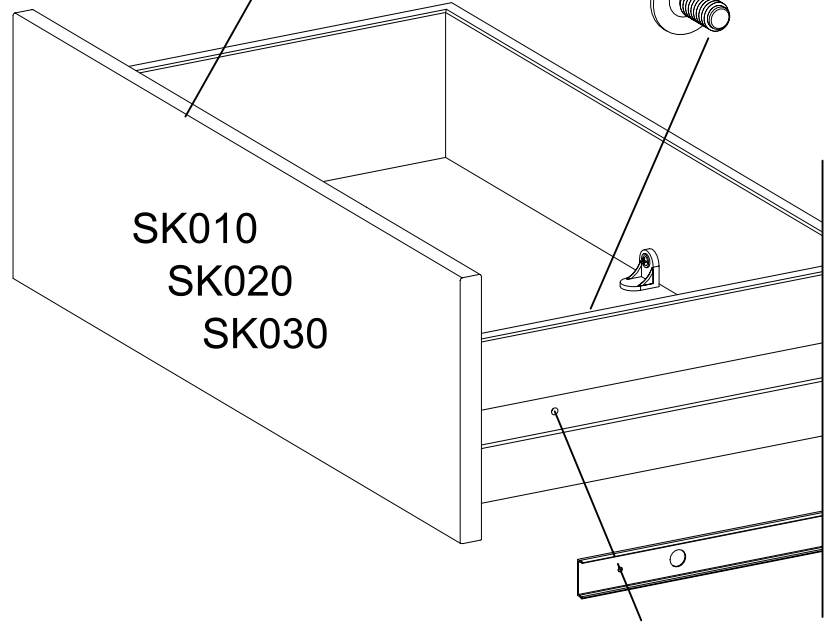
568



568



SK010
SK020
SK030



28

8x

202

4,5x16



8x

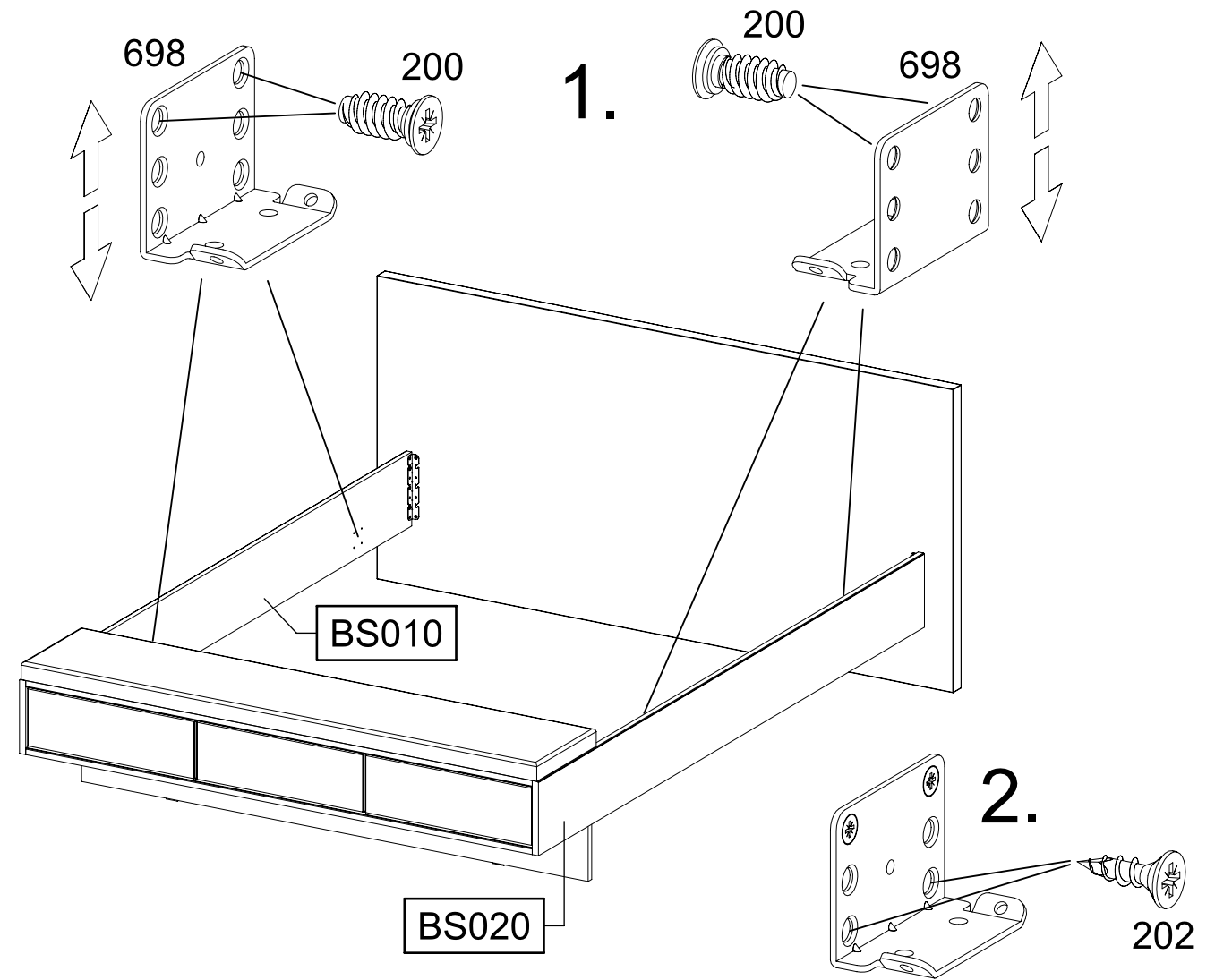
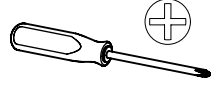
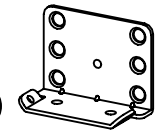
200

6,3x14



4x

698



698

200

1.

200

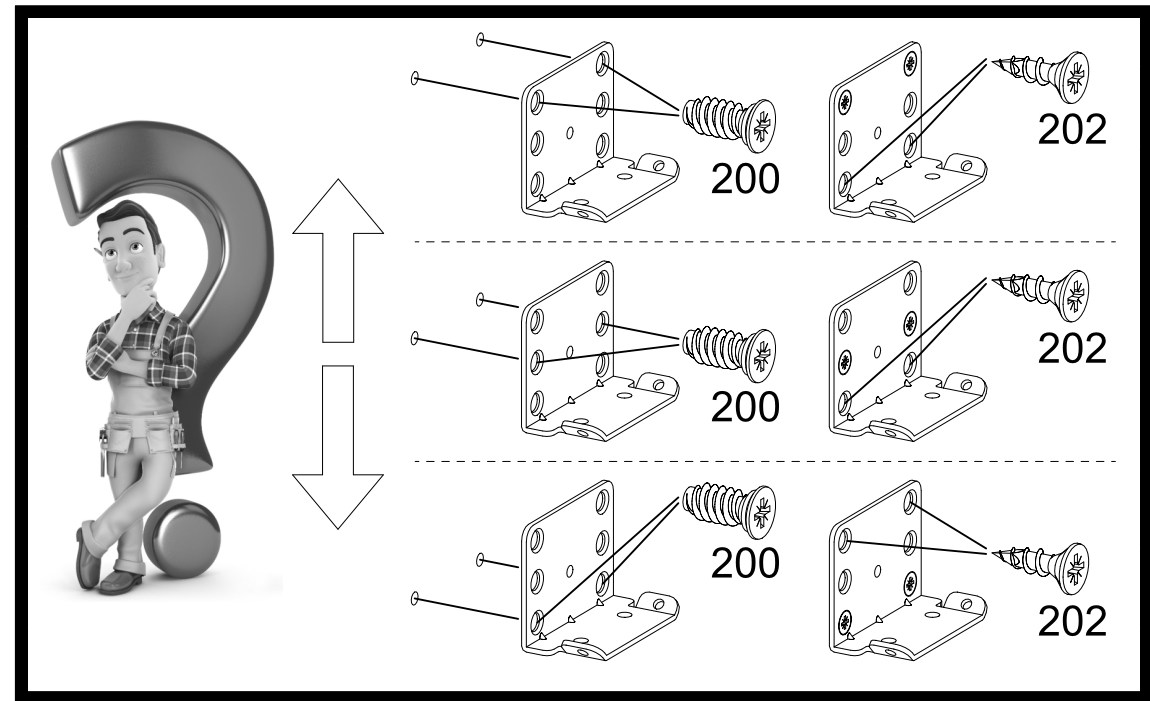
698

BS010

BS020

2.

202

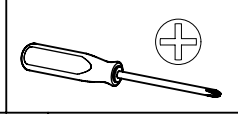
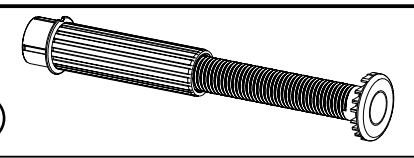


29

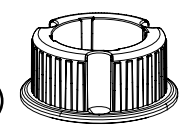
6x 427



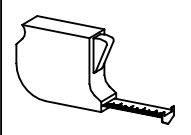
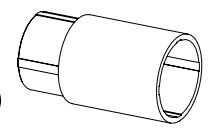
2x 1118



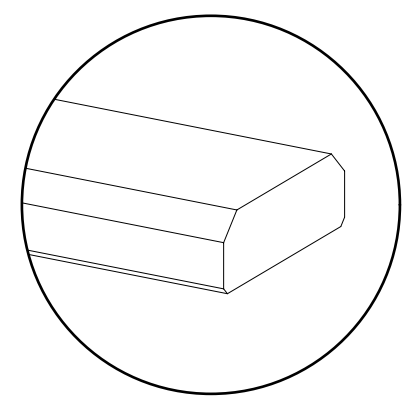
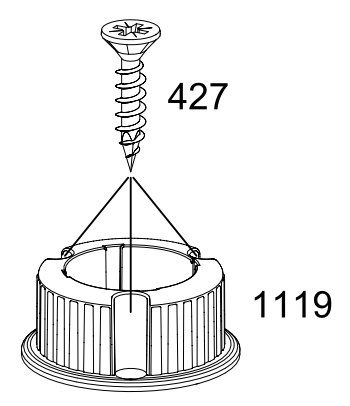
2x 1119



2x 1120



1.

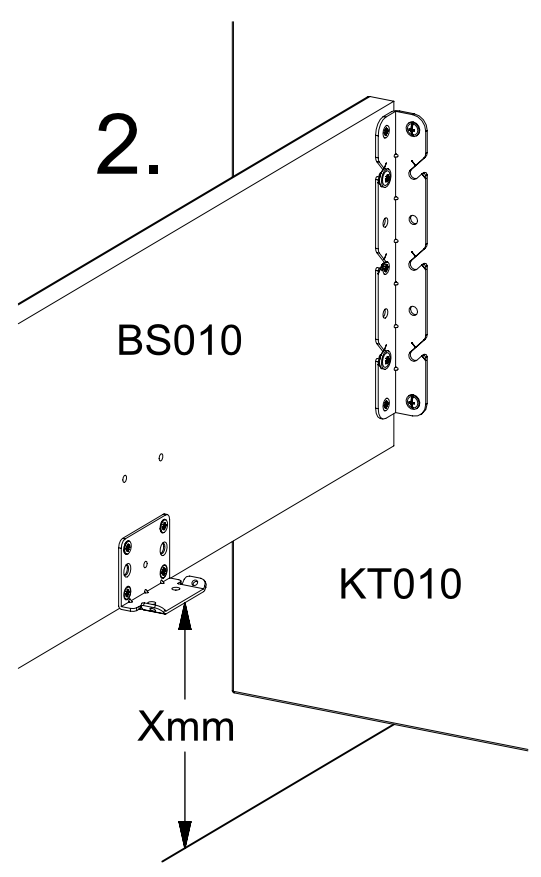


Xmm

Xmm

QU010
QU020

2.

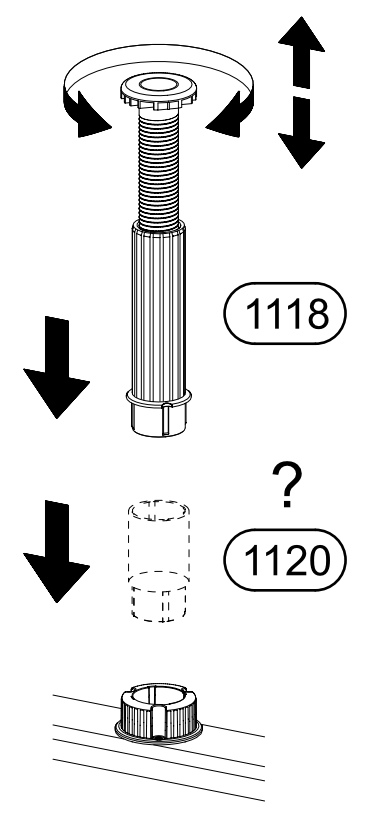


BS010

KT010

Xmm

3.



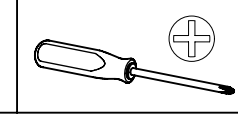
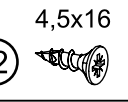
1118

?
1120

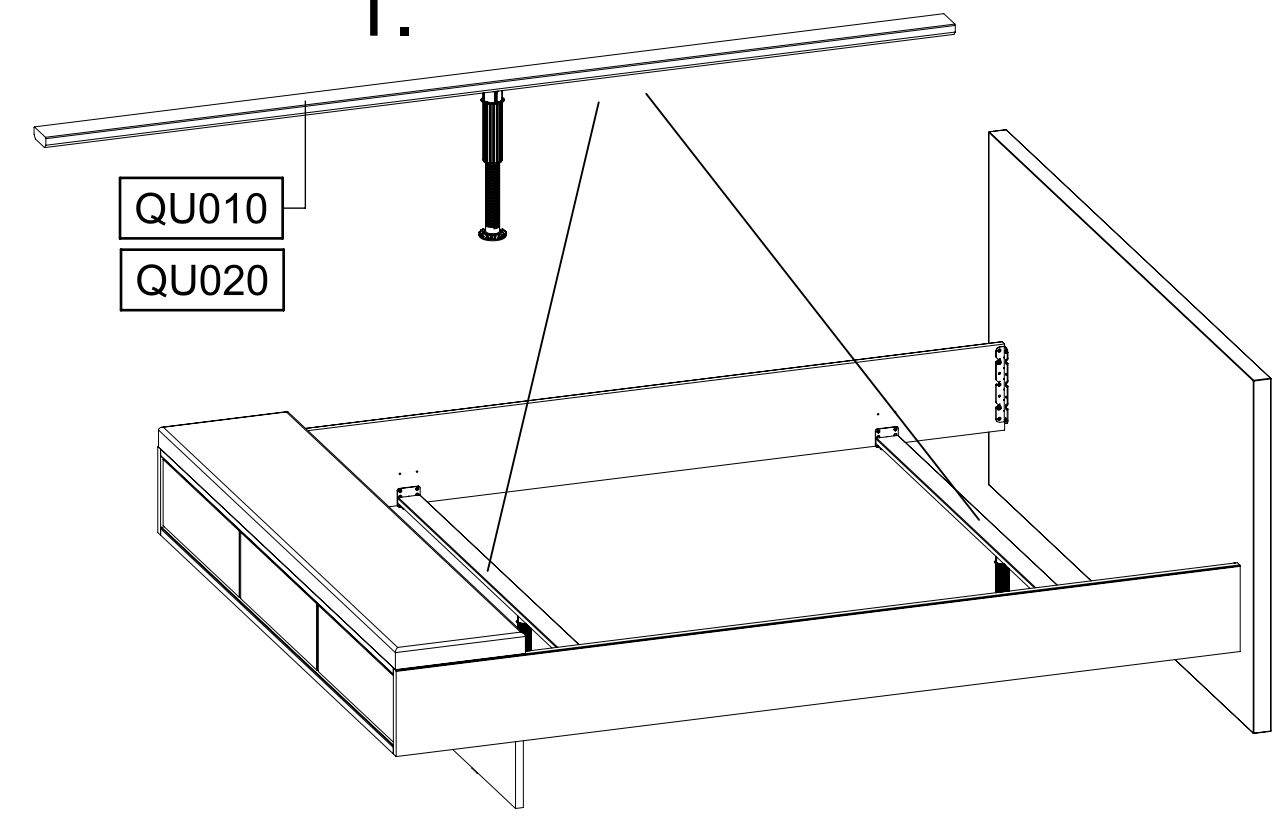
Xmm

30

8x 202

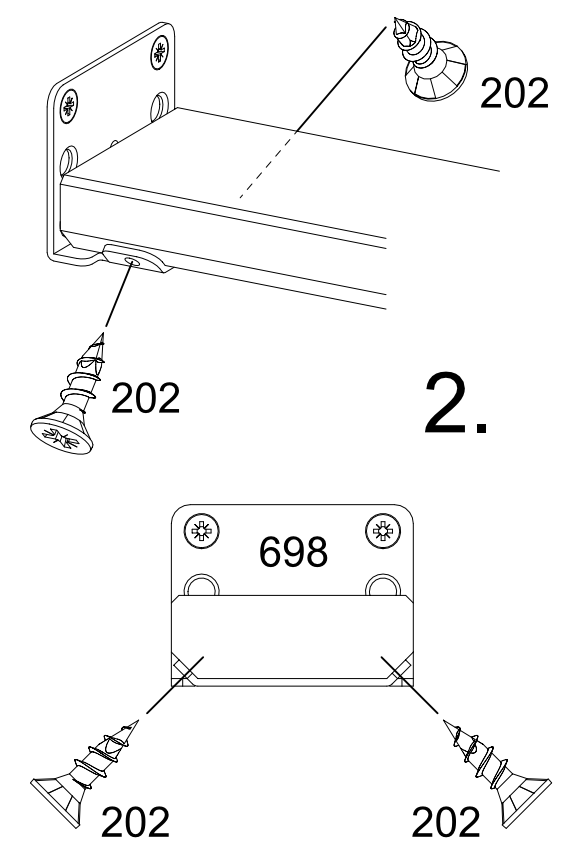


1.



QU010
QU020

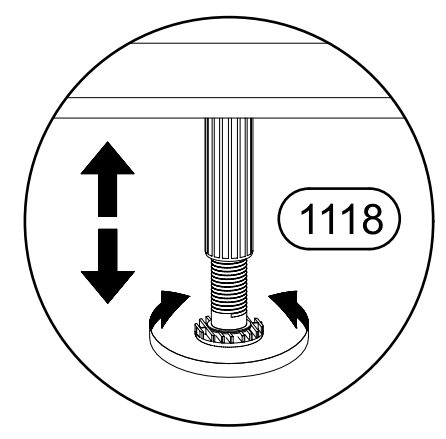
2.



698

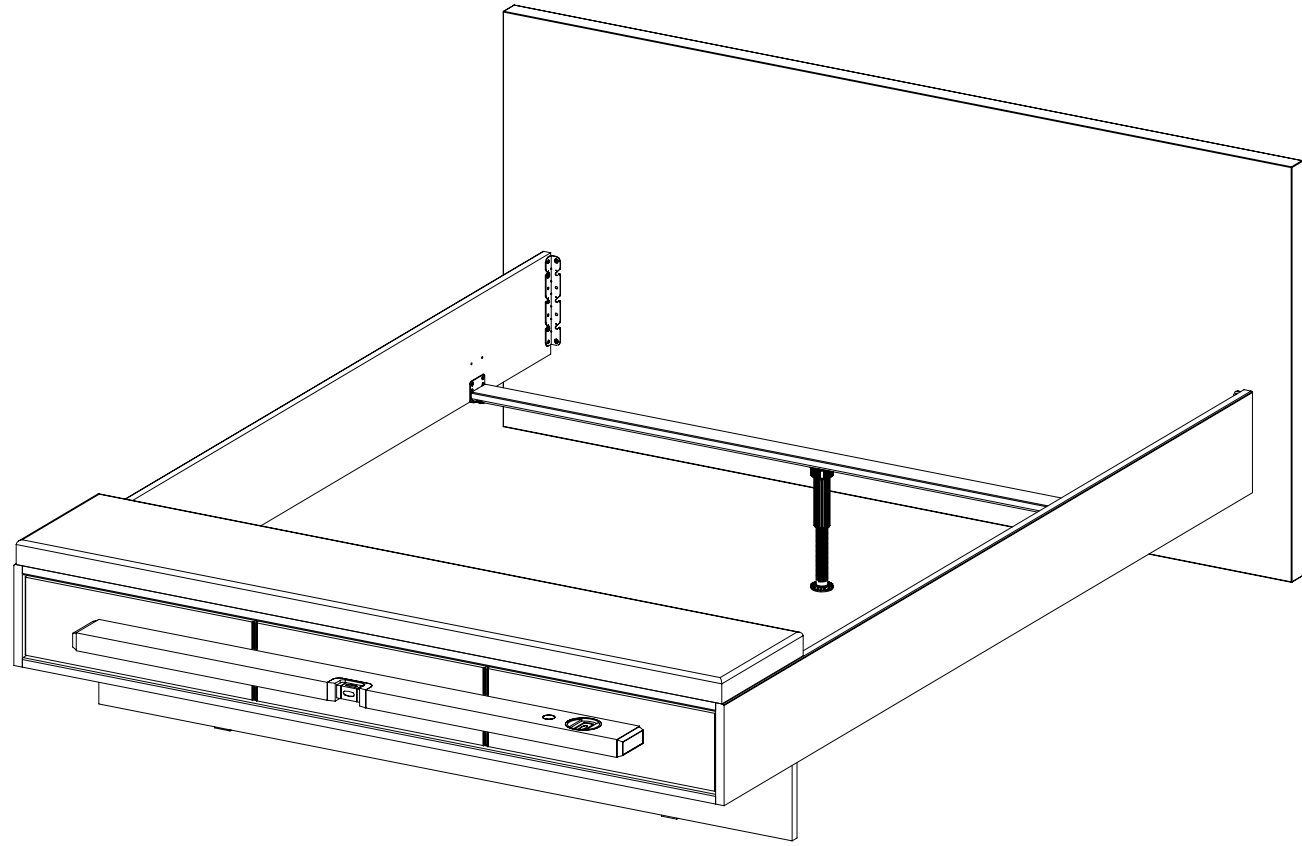
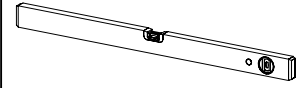
202

202



1118

31



SK010
SK020
SK030

1245

