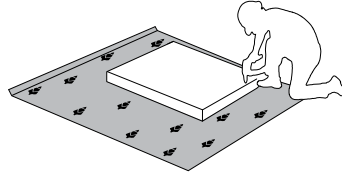
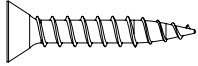
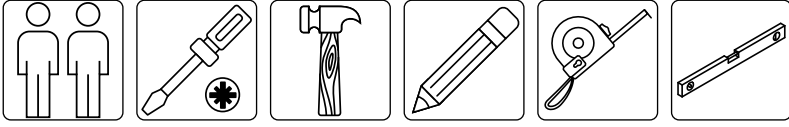


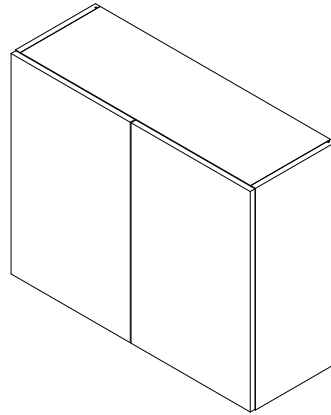


IMPORTANT – READ CAREFULLY – RETAIN FOR FUTURE REFERENCE
WICHTIG – SORGFÄLTIG LESEN UND AUFBEWAHREN

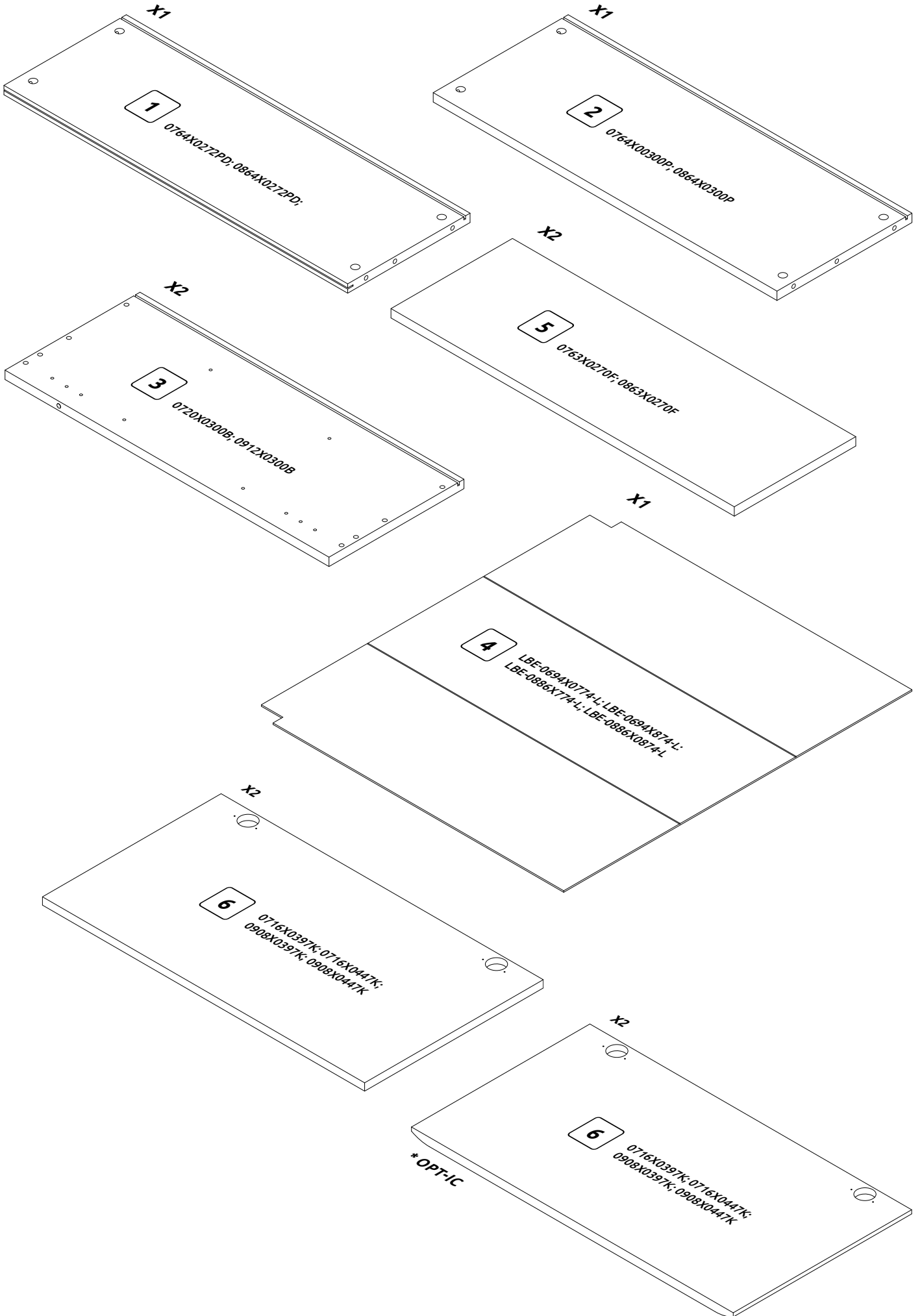


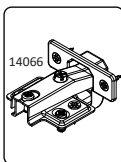
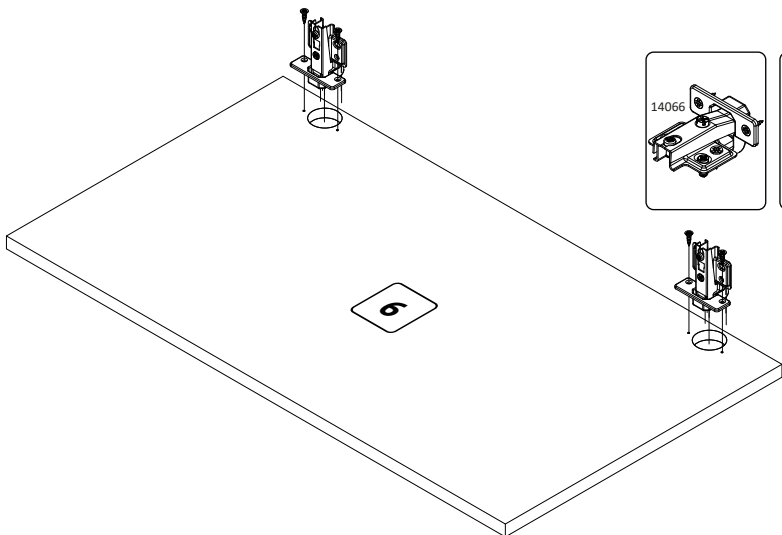
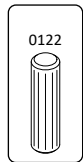
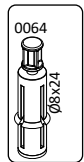
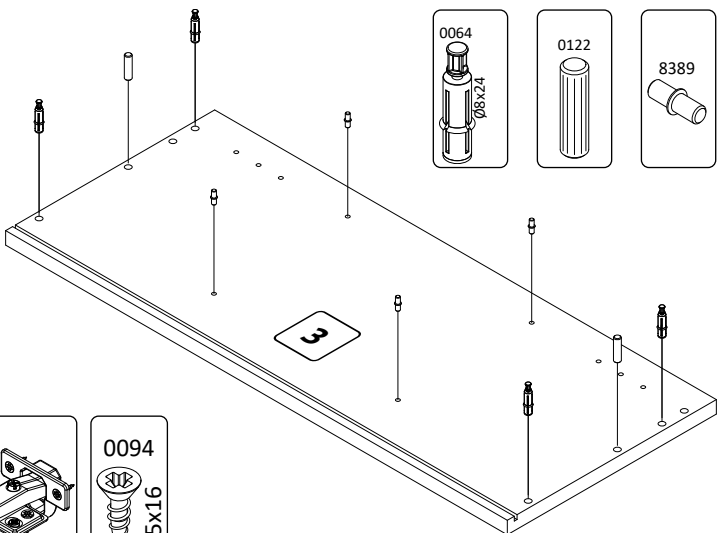
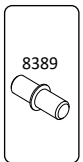
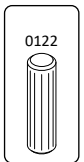
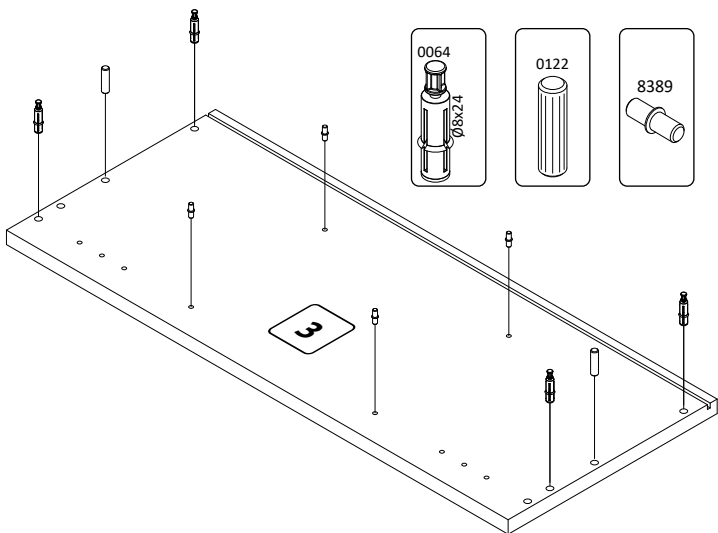
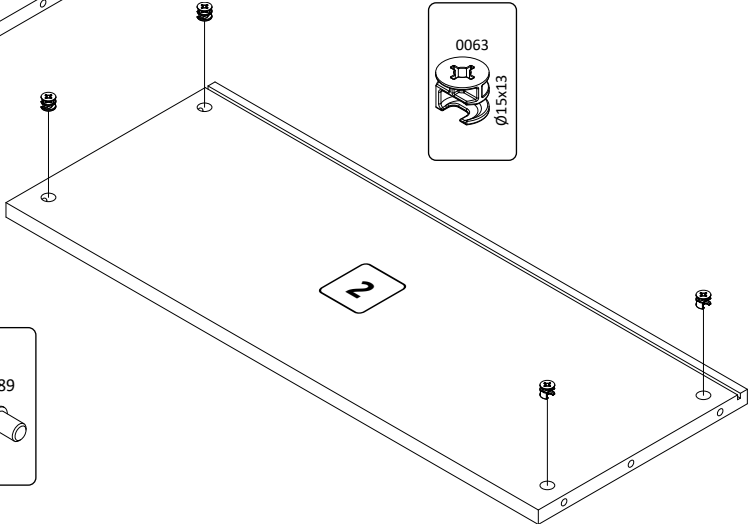
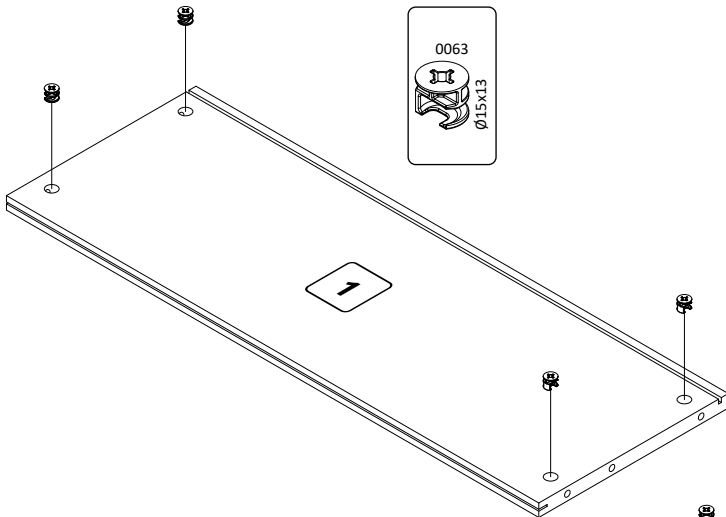
53961

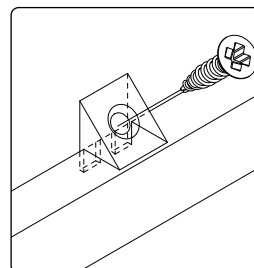
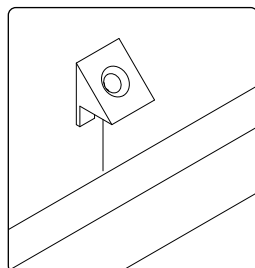
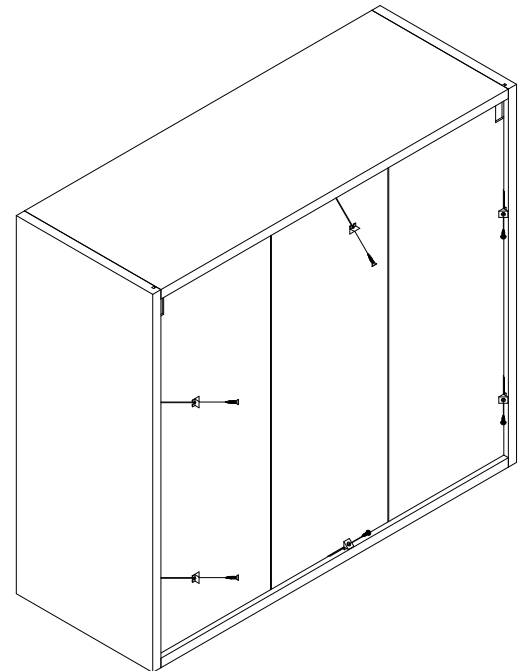
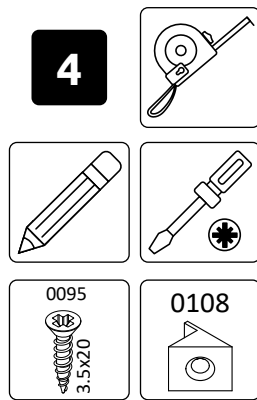
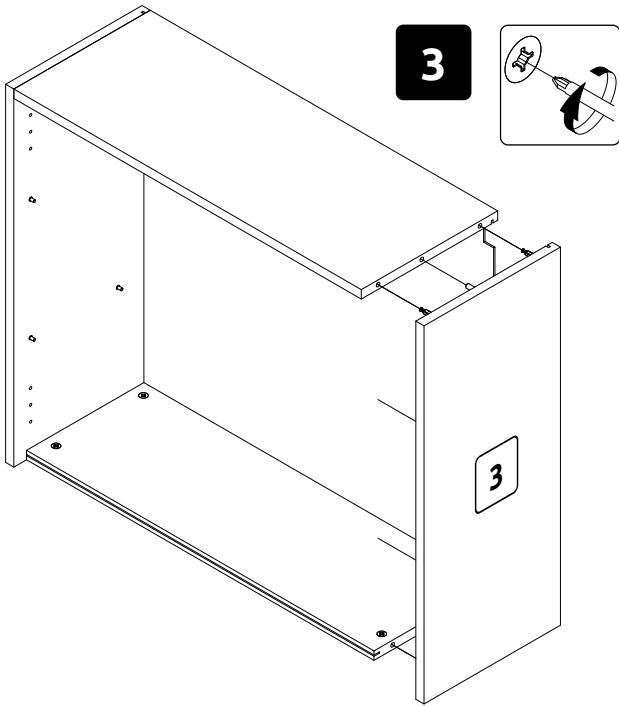
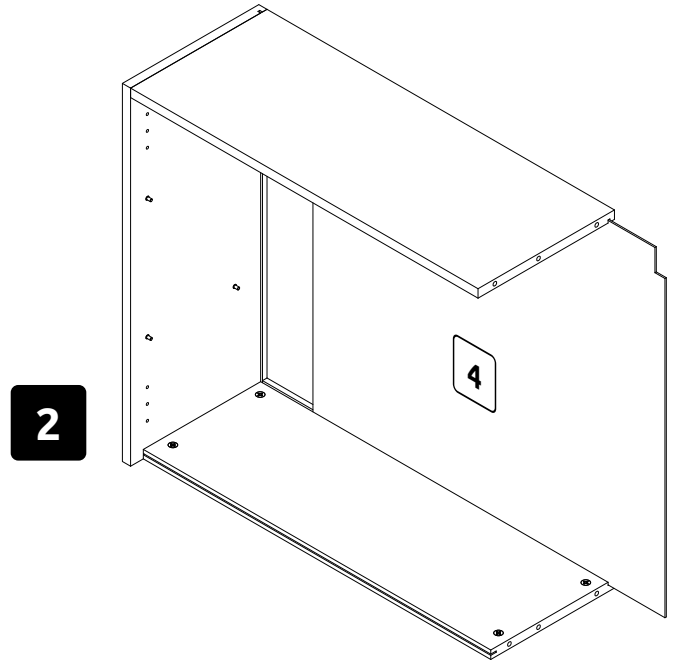
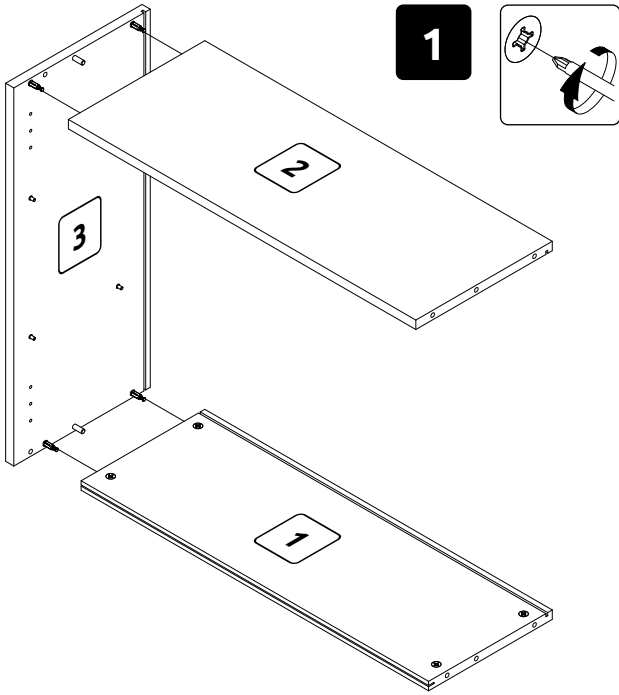
- | | | | | | | | | | | | |
|-----------------------------|----------------------------|---------------------------|-------------------|-------------------|-----------------------------|-------------------|-------------------|----------------------|--------------------|--------------------|-------------------|
| x8
0063
Ø15x13 | x8
0064
Ø8x24 | x4
2114
4x35 | x4
0122 | x6
0108 | x6
0095
3.5x20 | x8
8389 | x2
0093 | x8
EKS4-BE | x4
14066 | x2
22638 | x2
6319 |
| x1
48591 | x1
38417 | | | | | | | | | | |
- * V7-80-2K
* V9-80-2K
- * V7-90-2K
* V9-90-2K

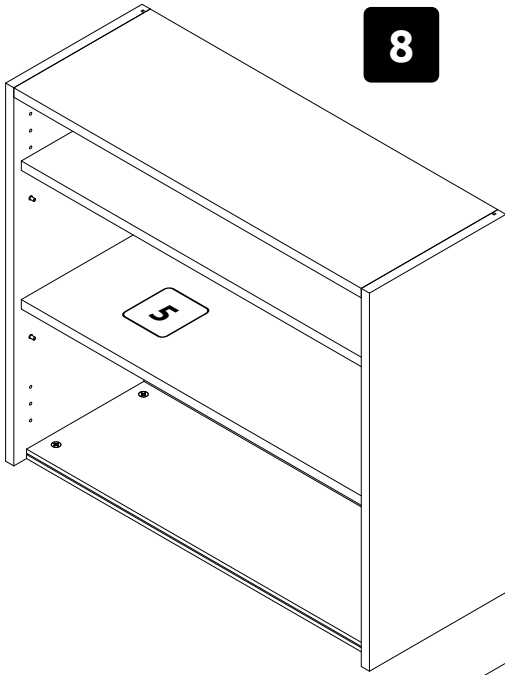


V7-90-2K
LHW-900X720X320

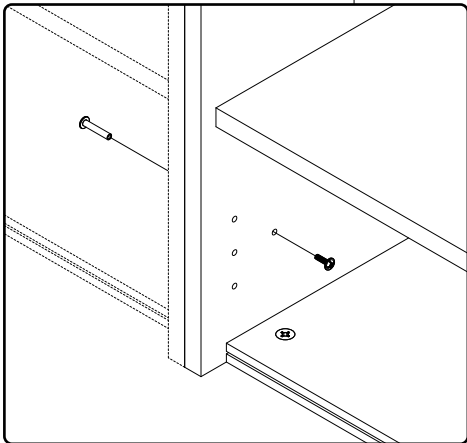
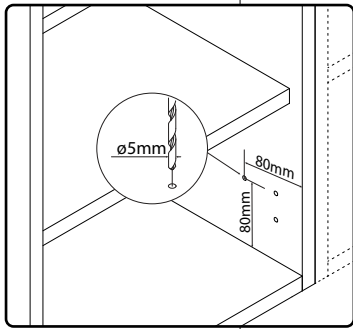




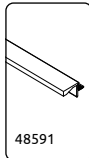




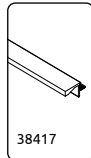
9



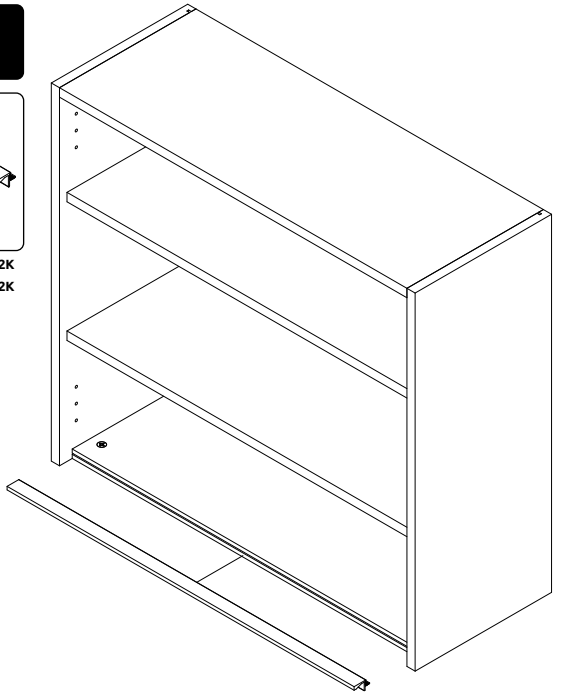
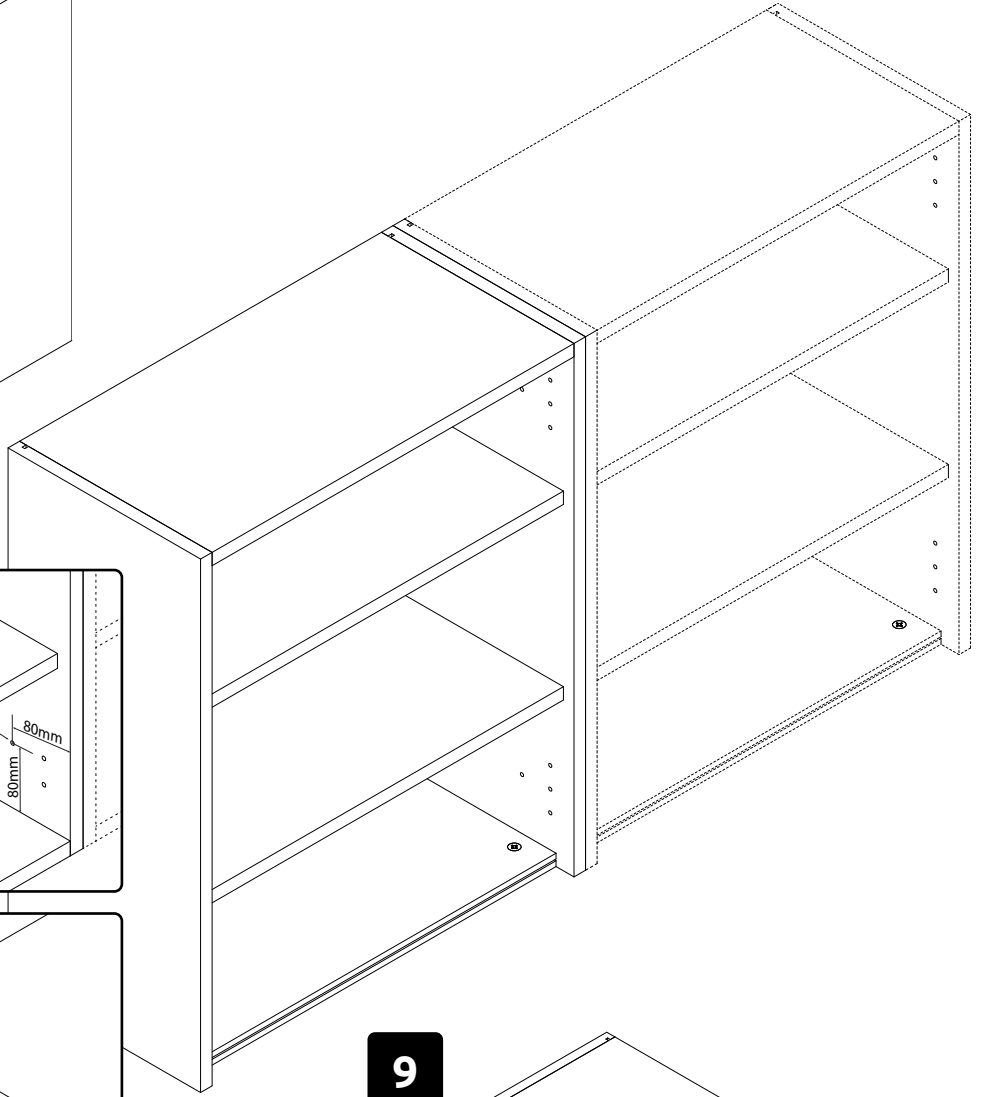
9



* V7-80-2K
* V9-80-2K



* V7-90-2K
* V9-90-2K



*** OPT-IC**

10

