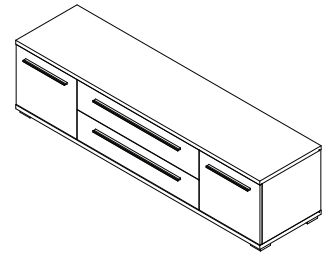
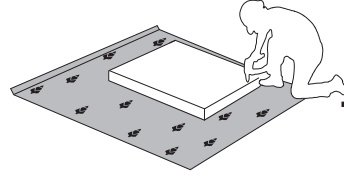
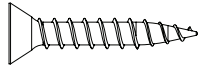


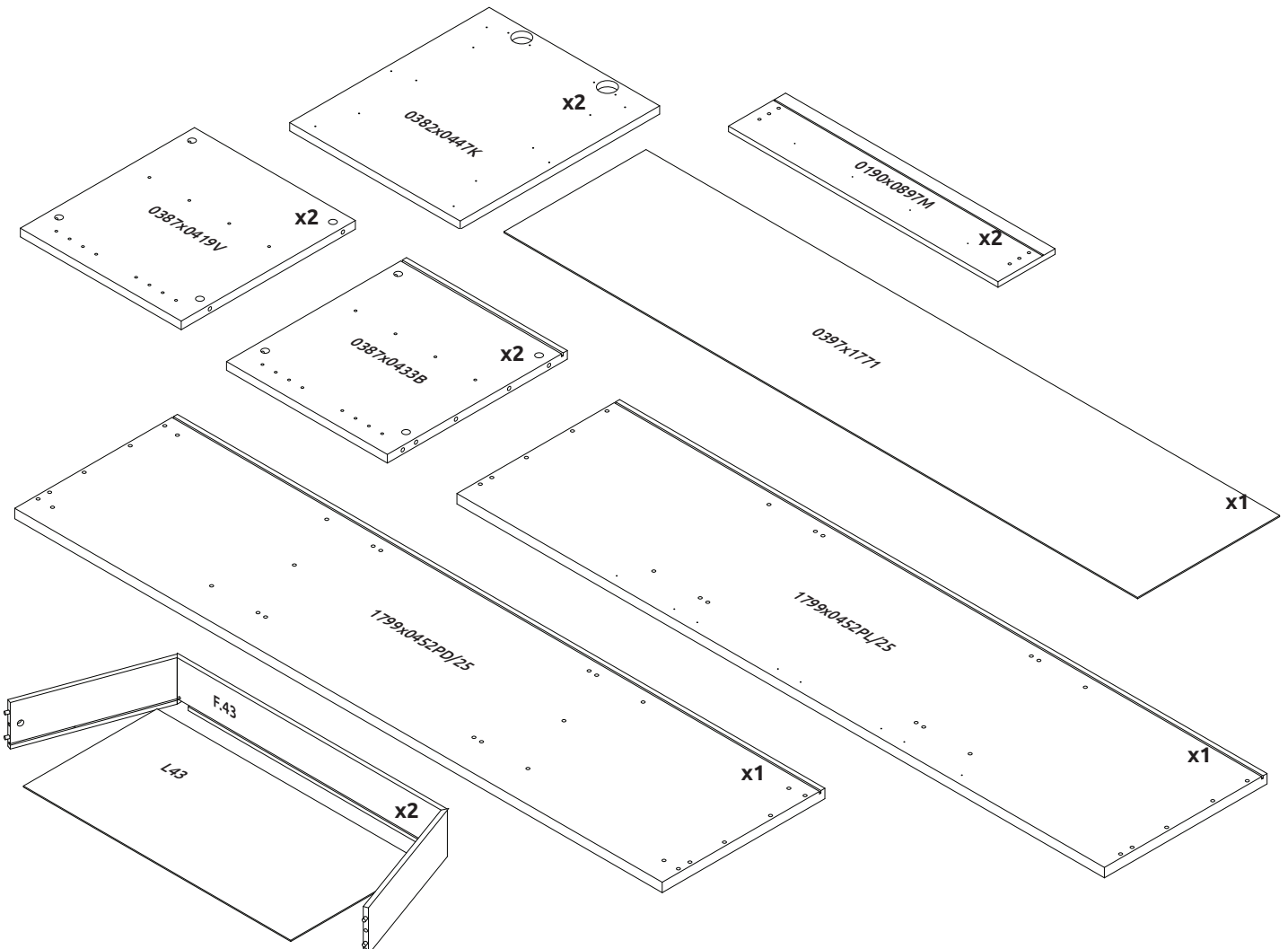


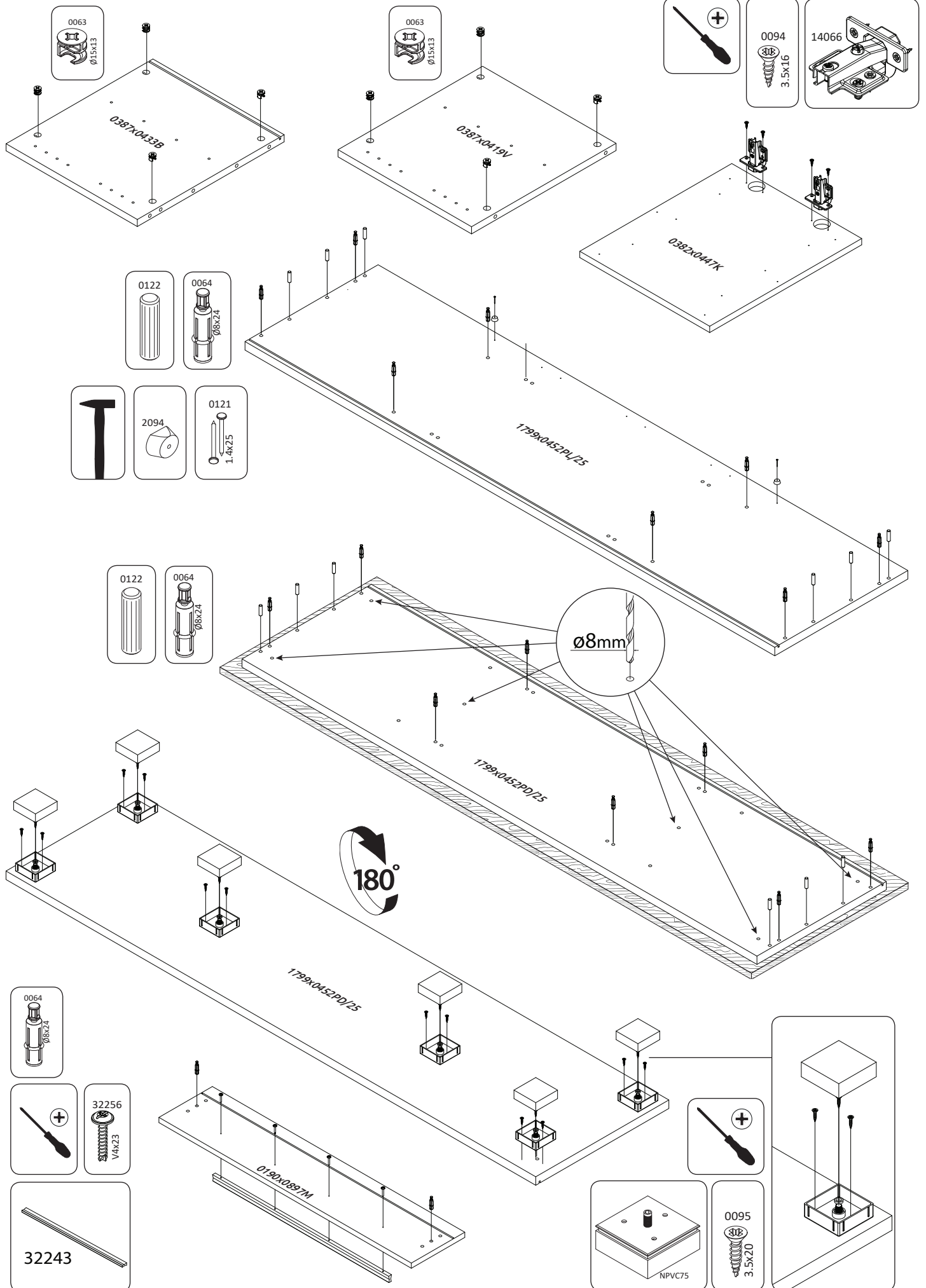
**IMPORTANT – READ CAREFULLY – RETAIN FOR FUTURE REFERENCE**  
**WICHTIG – SORGFÄLTIG LESEN UND AUFBEWAHREN**



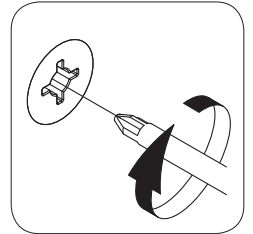
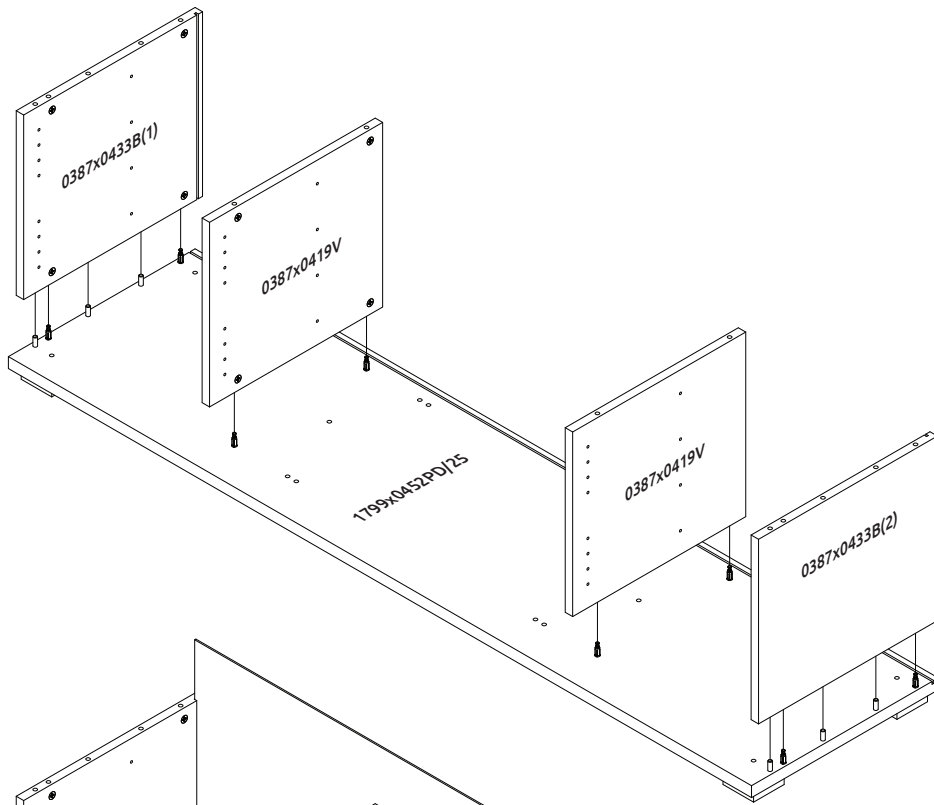
**TV180-2K2FV/PN**  
LWH - 1799x452x462  
41742

<b>x4</b> 0094 3.5x16	<b>x10</b> 0095 3.5x20	<b>x8</b> 102 6.3x13	<b>x14</b> 32256 V4x23	<b>x20</b> 0064 9/16x24	<b>x12</b> 0122	<b>x4</b> 0065 Ø15x10	<b>x16</b> 0063 Ø15x13	<b>x12</b> EKSK4	<b>x4</b> EKSK	<b>x2</b> 2094	<b>x10</b> 0108	<b>x4</b> CEP8	<b>x4</b> 0121 1.4x25
<b>x1</b> 0113 GLUE	<b>x2</b> 30821	<b>x2</b> 32243	<b>x2</b> 14080	<b>x6</b> NPVC75	<b>x4</b> 14066	<b>x8</b> 10359 3x12	<b>x4</b> 4237						

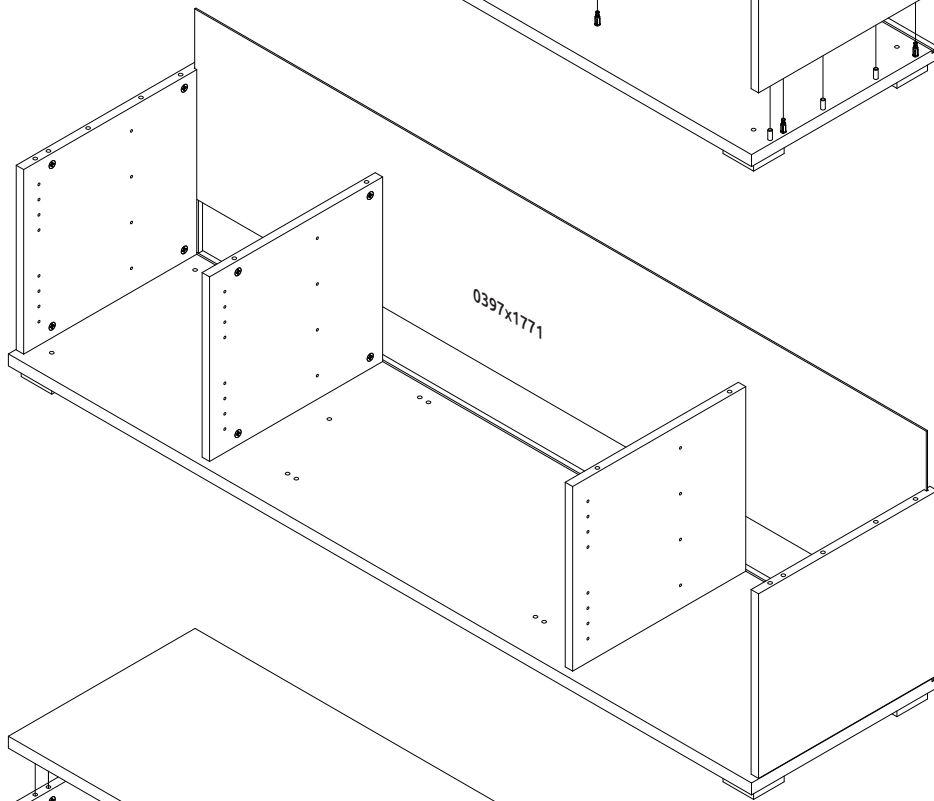




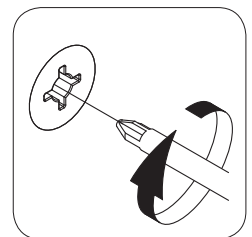
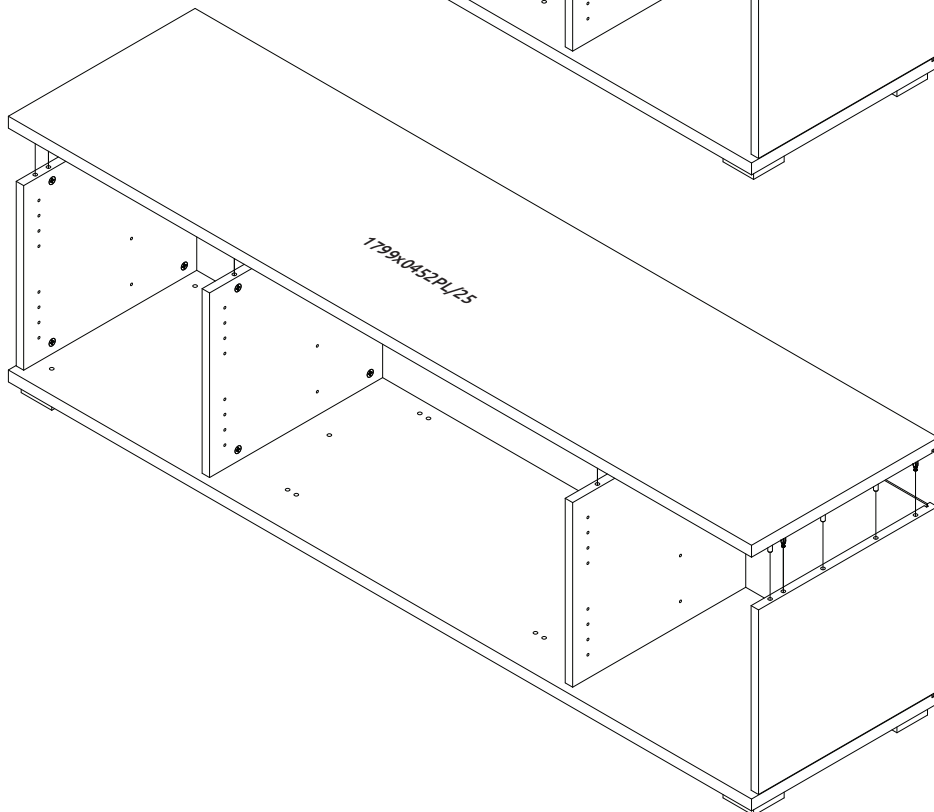
1



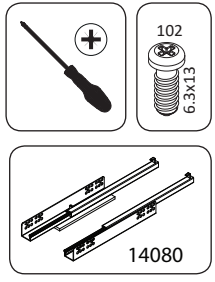
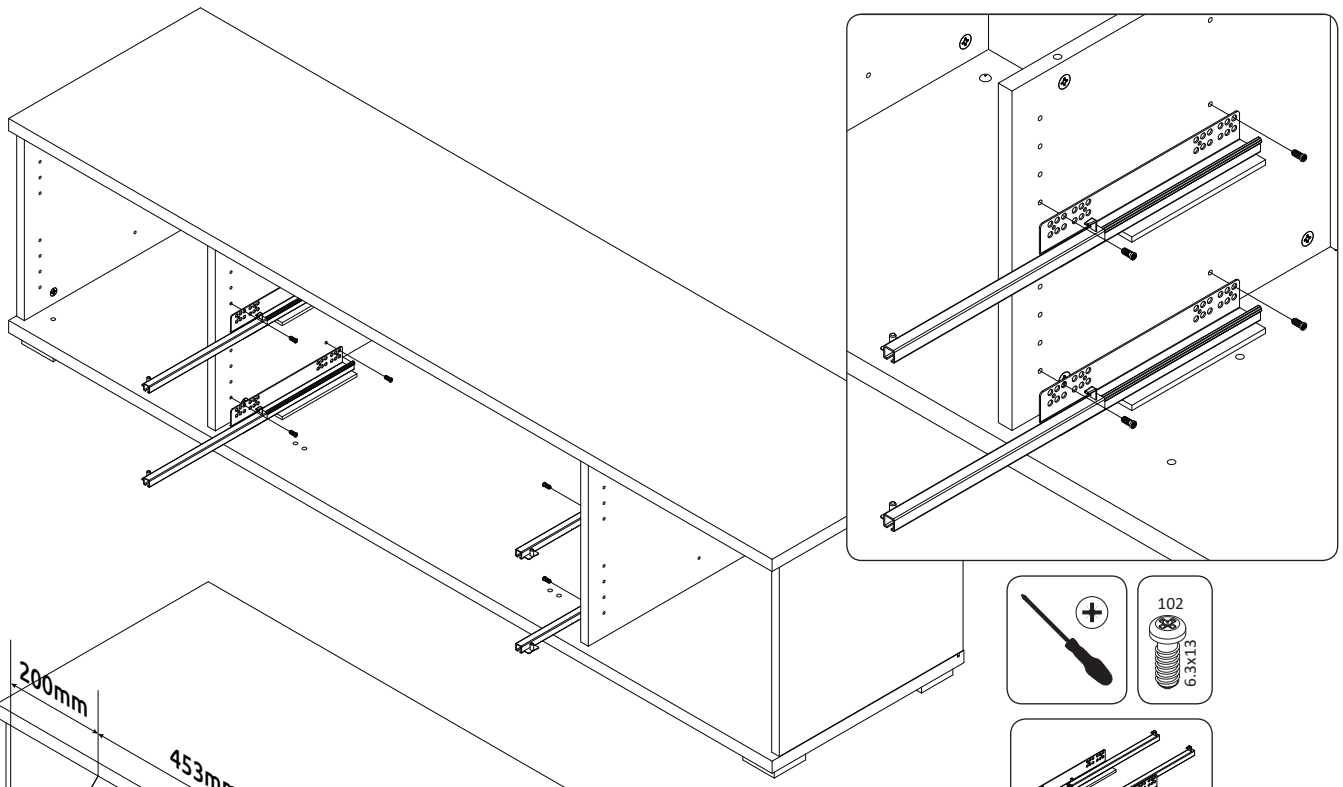
2



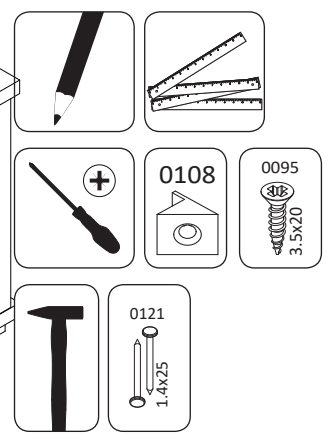
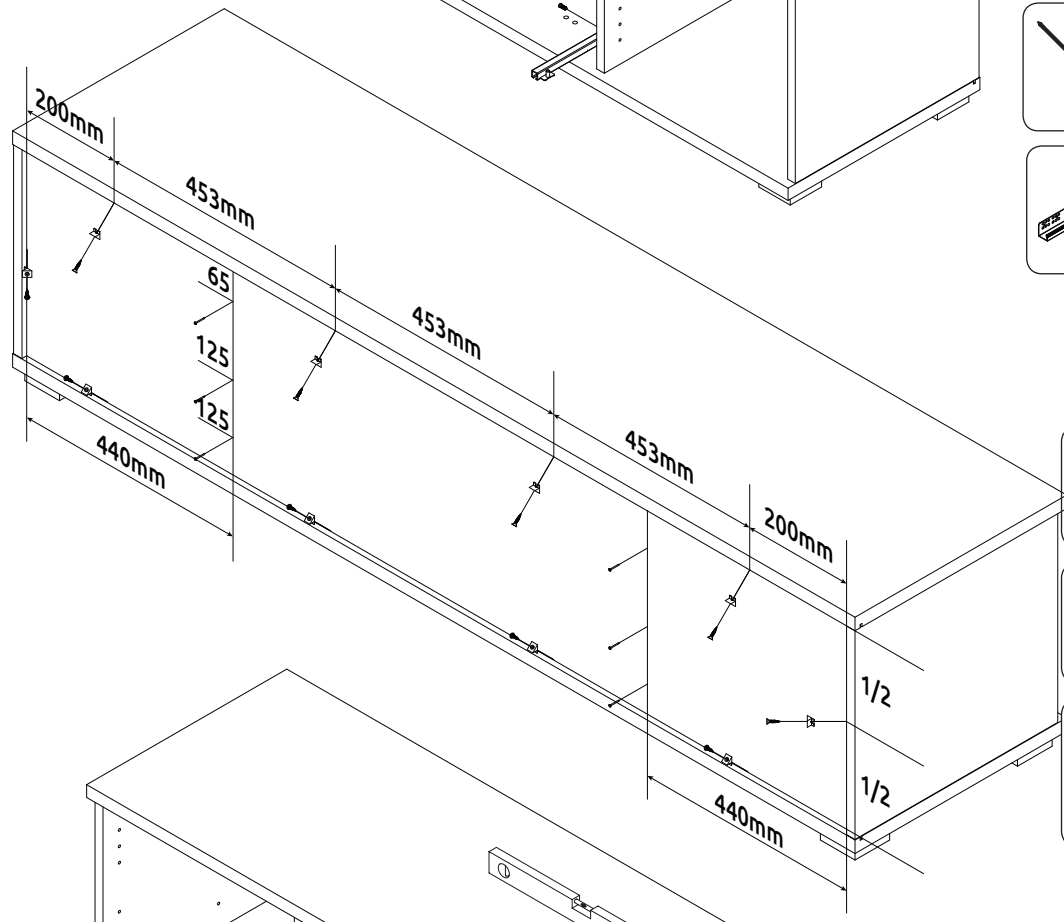
3



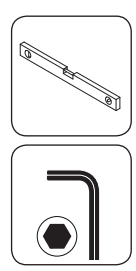
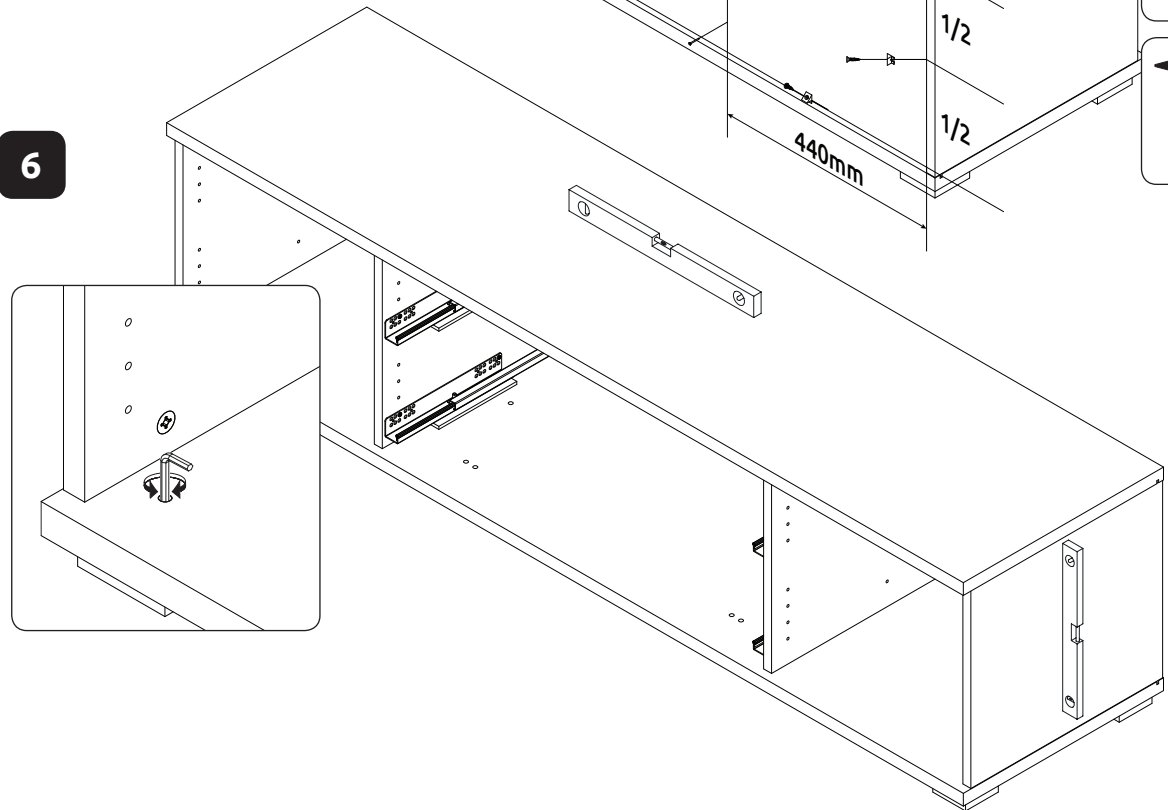
4



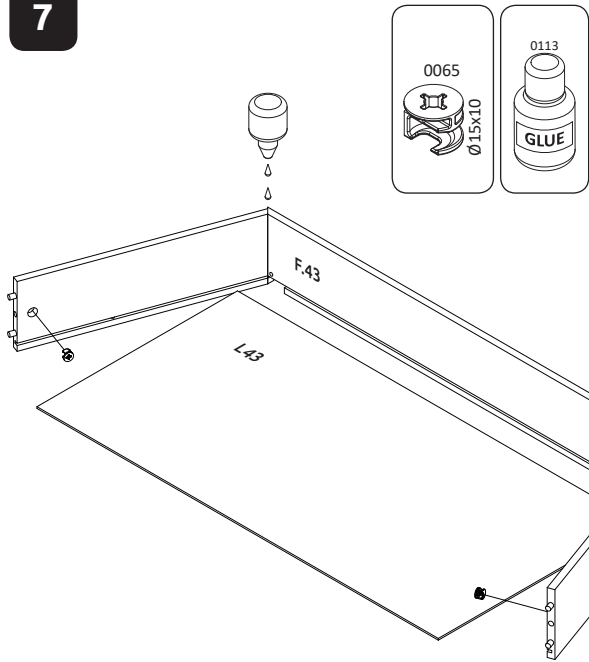
5



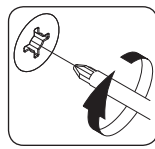
6



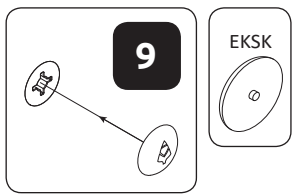
7



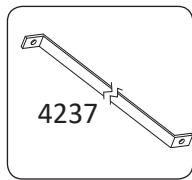
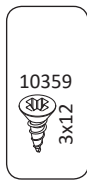
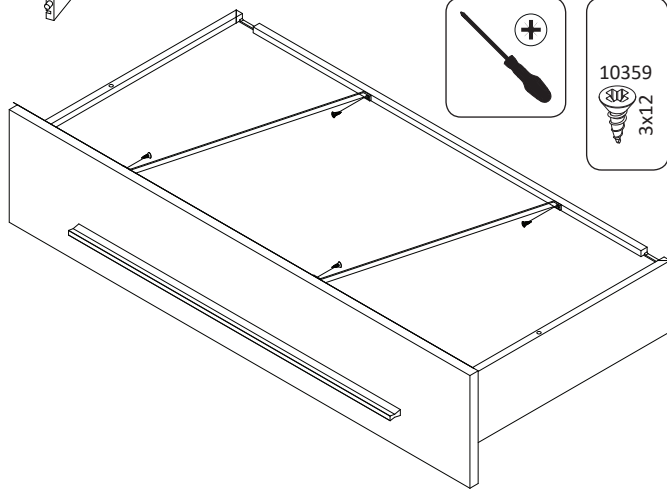
8



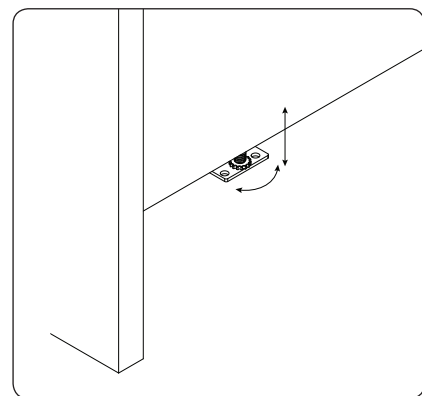
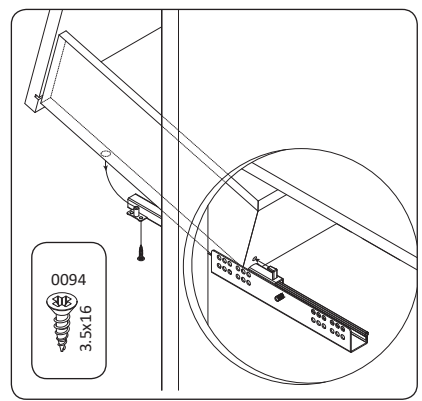
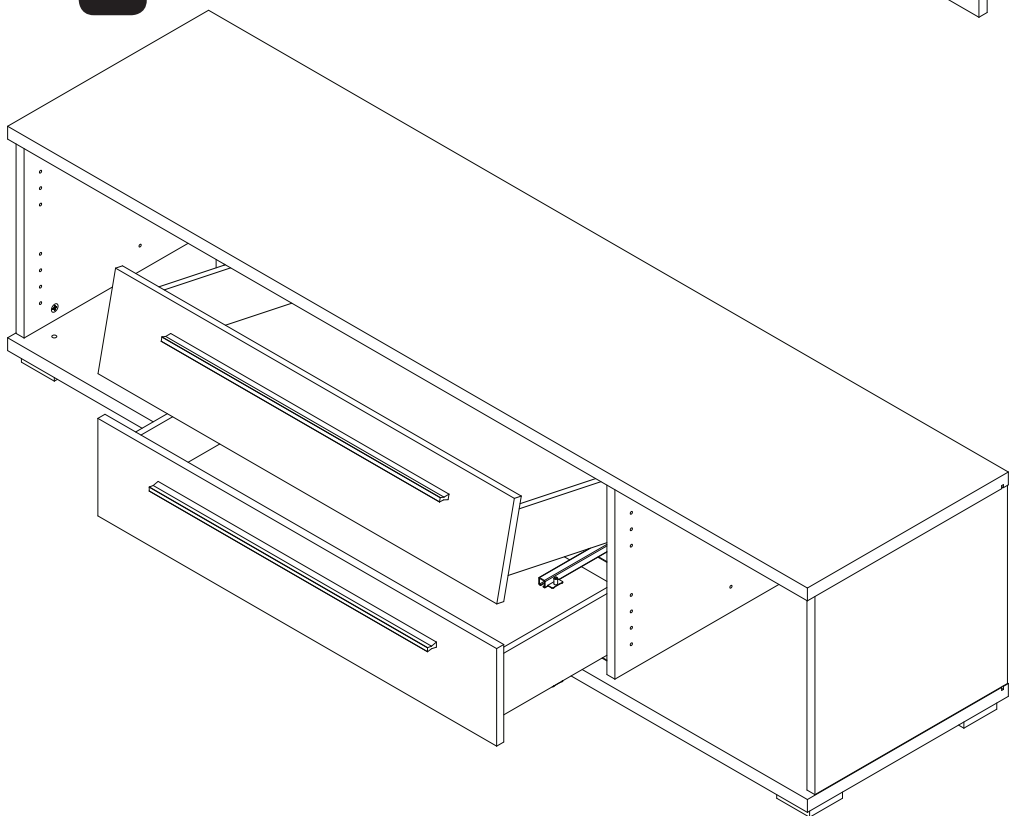
9



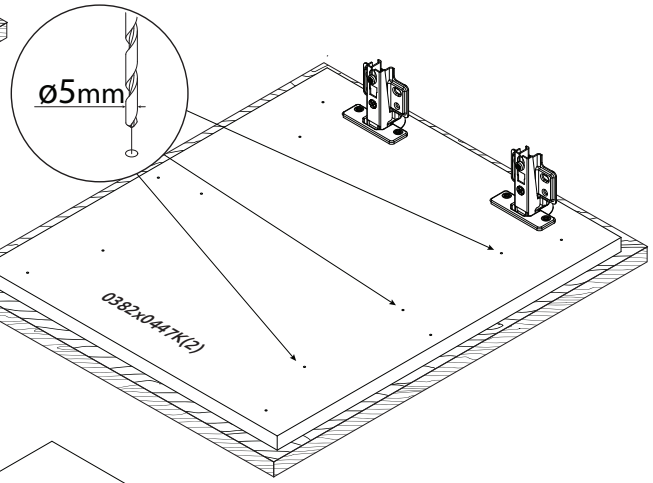
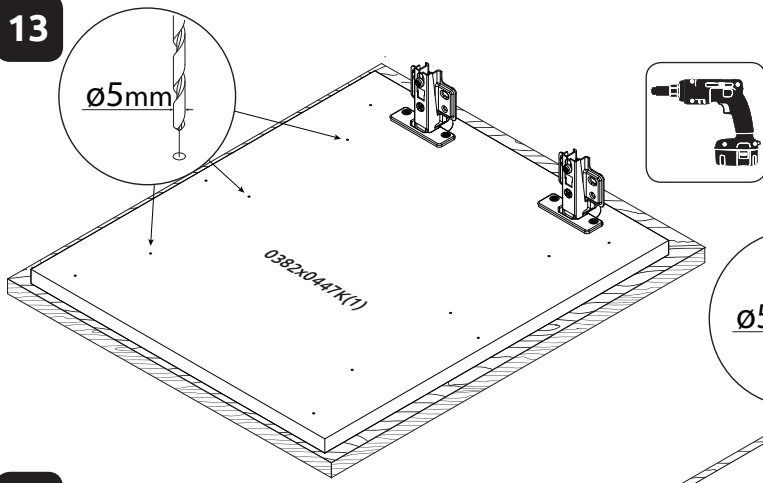
10



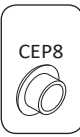
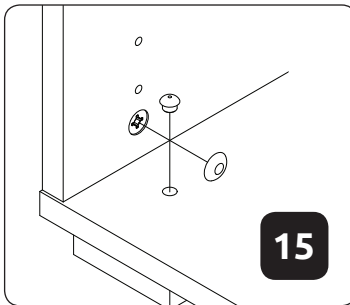
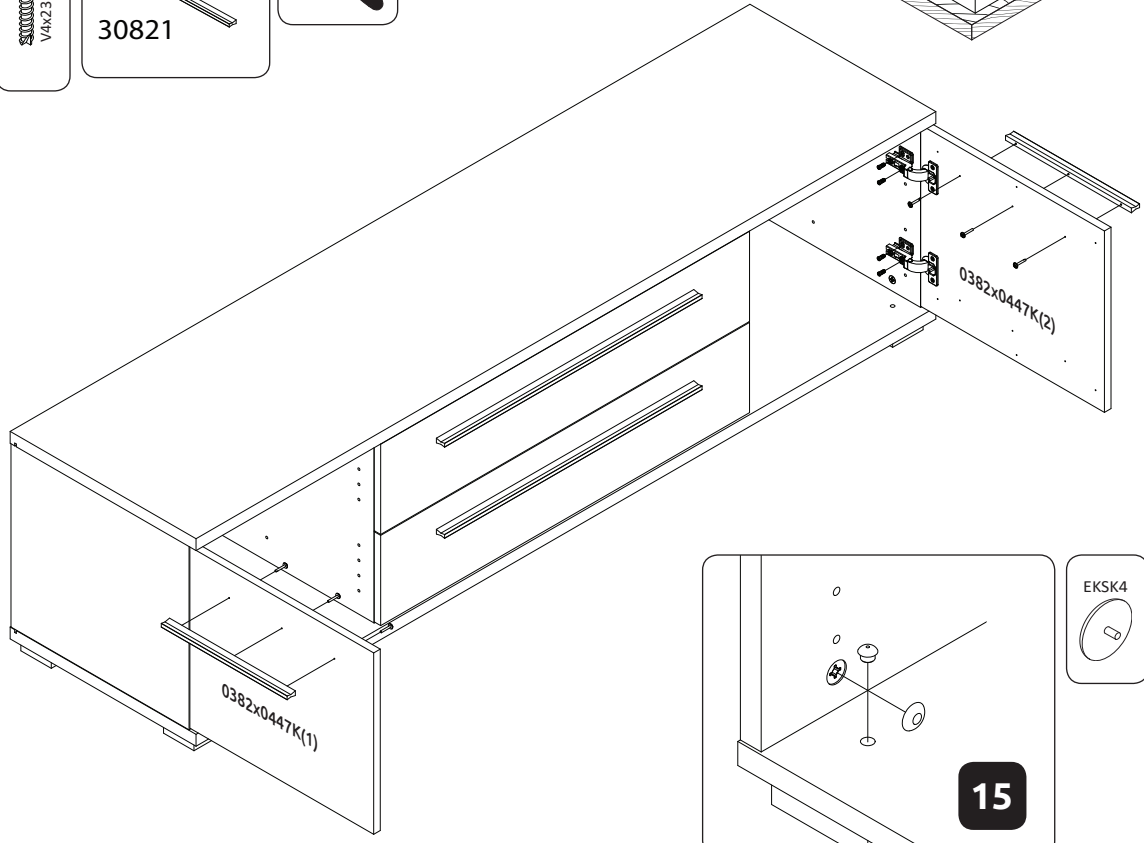
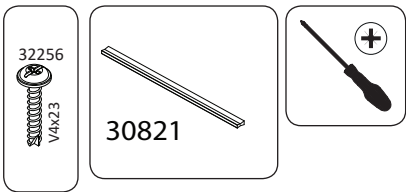
11



13

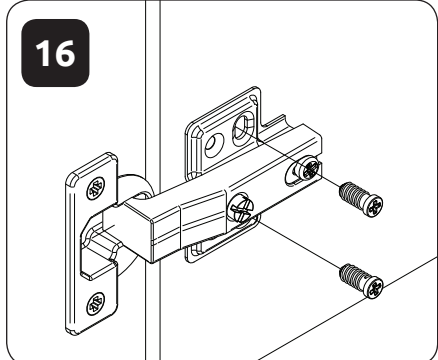


14

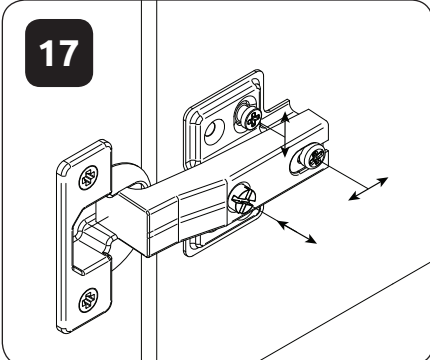


15

16



17



18

