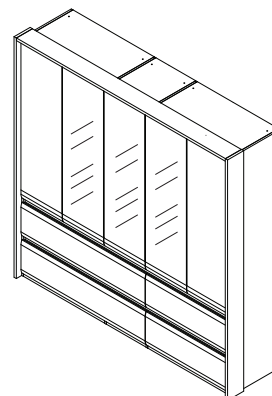
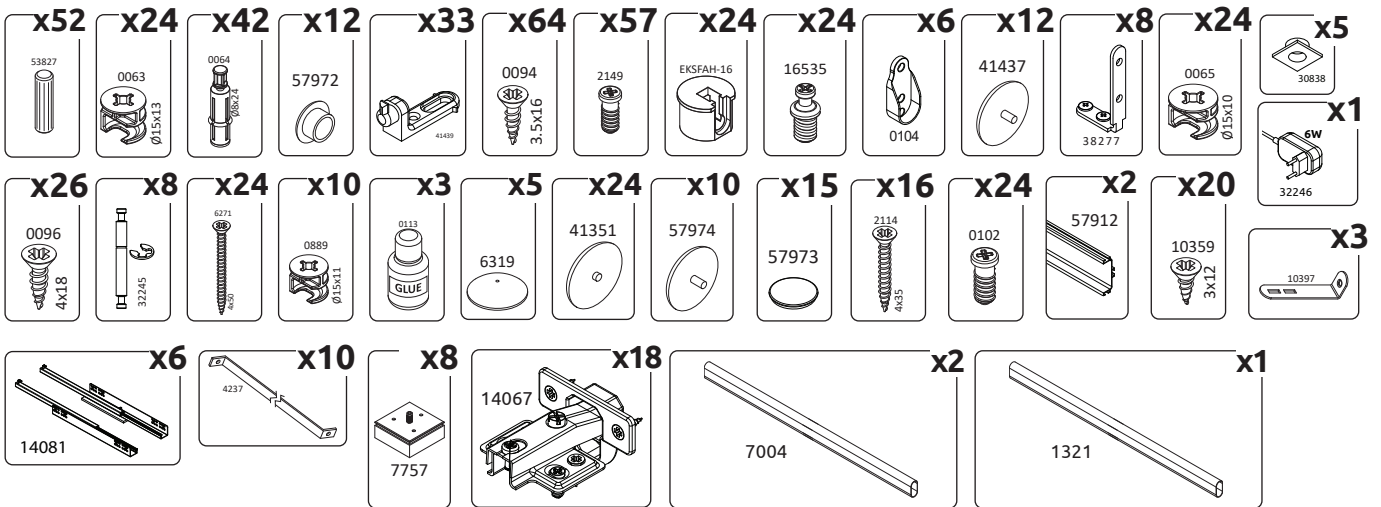
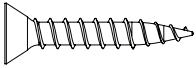
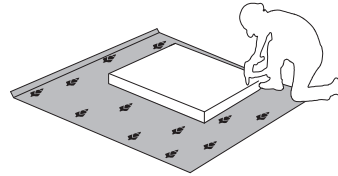
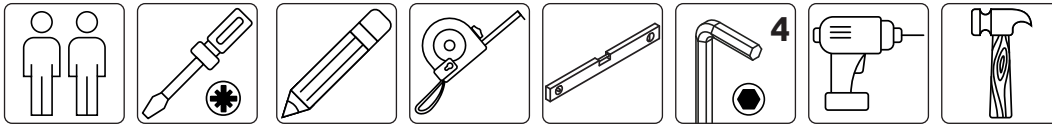
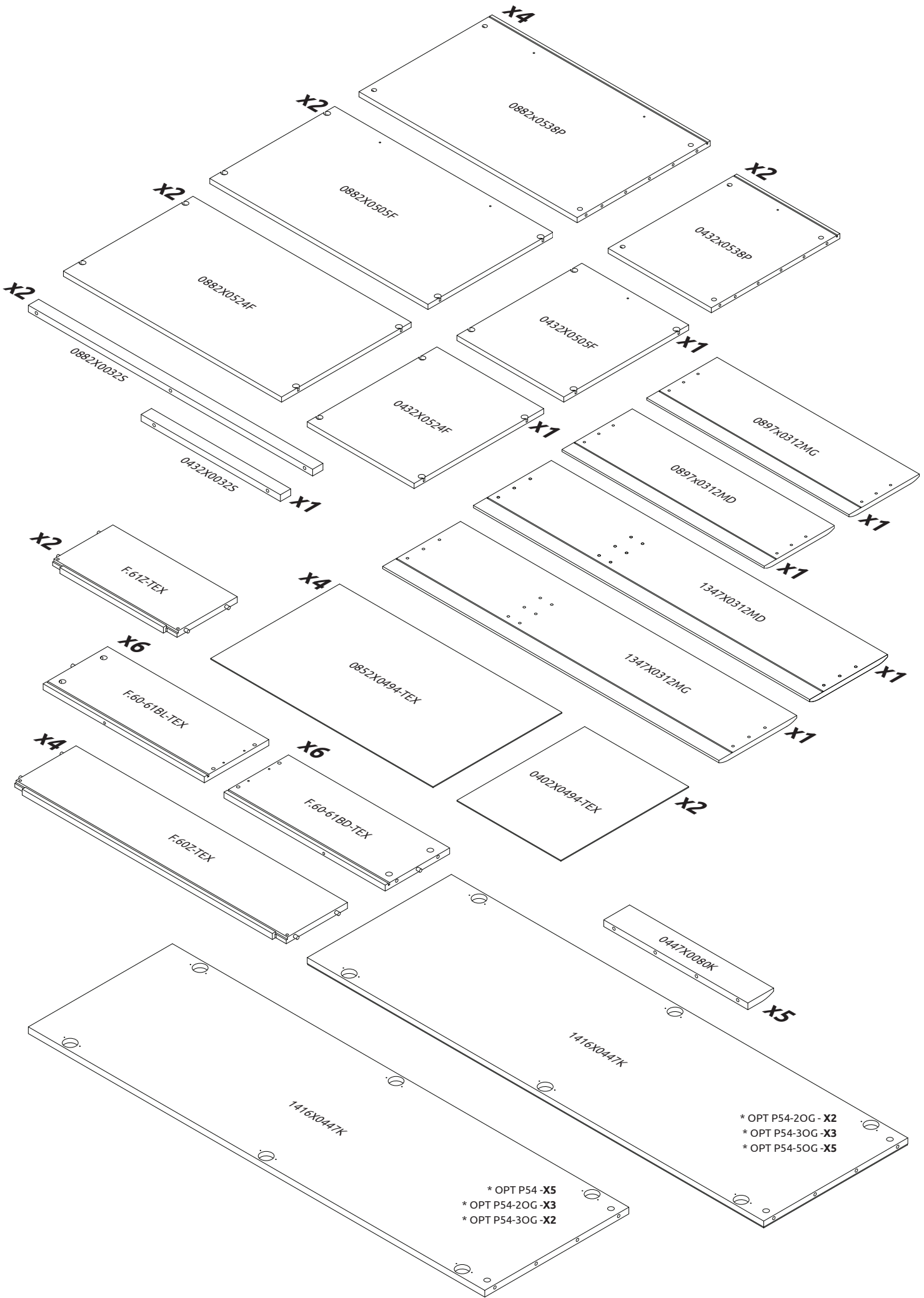




IMPORTANT - READ CAREFULLY - RETAIN FOR FUTURE REFERENCE
WICHTIG - SORGFÄLTIG LESEN UND AUFBEWAHREN

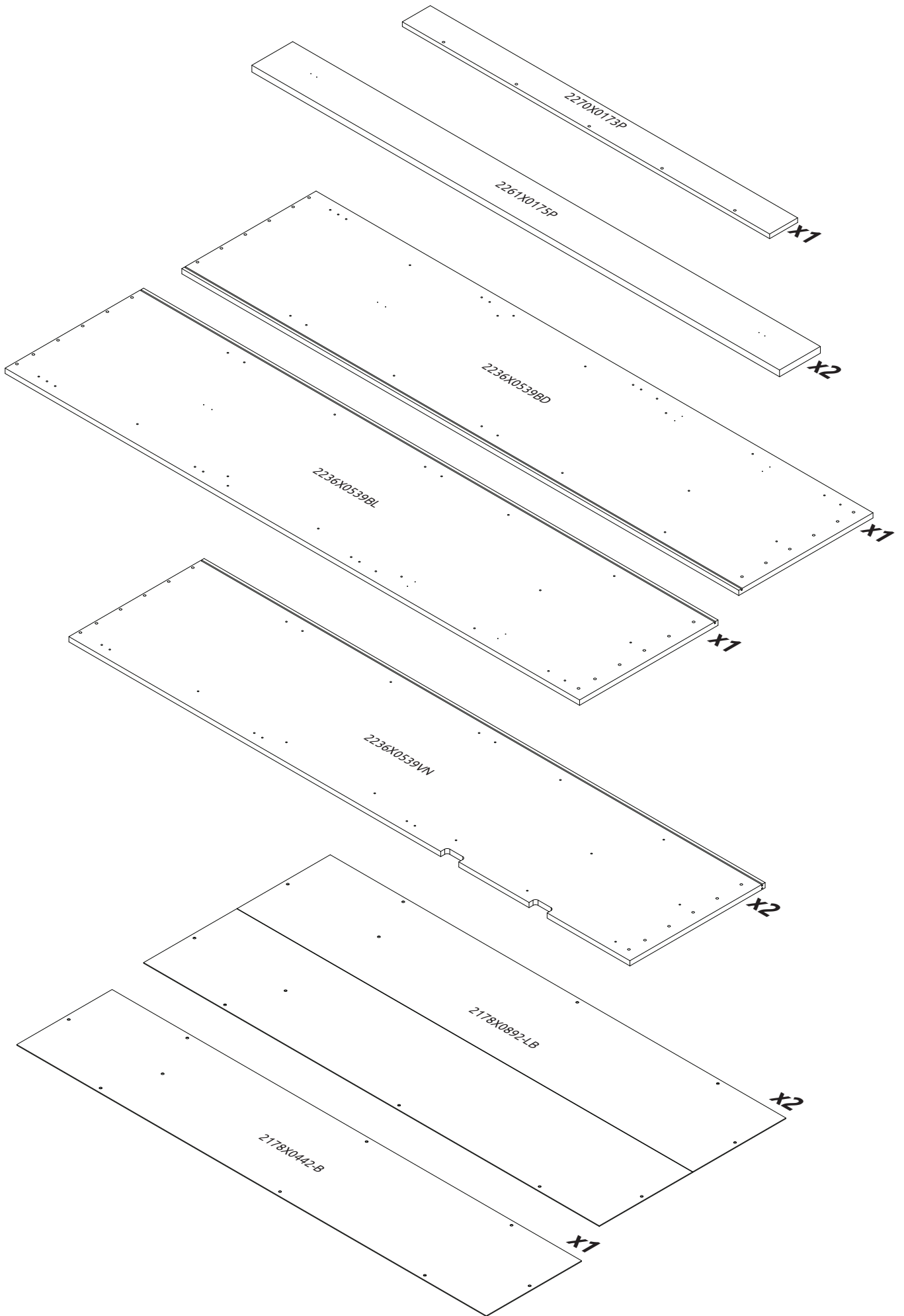


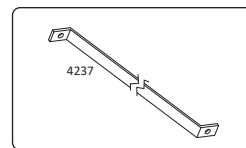
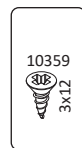
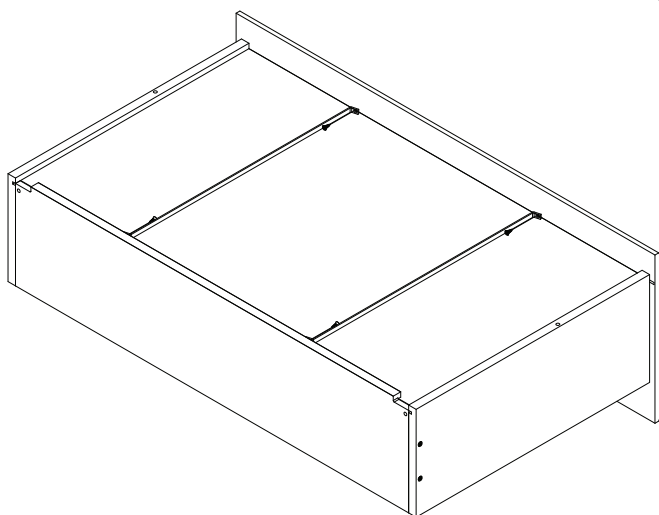
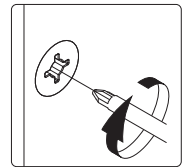
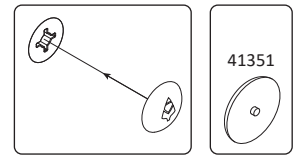
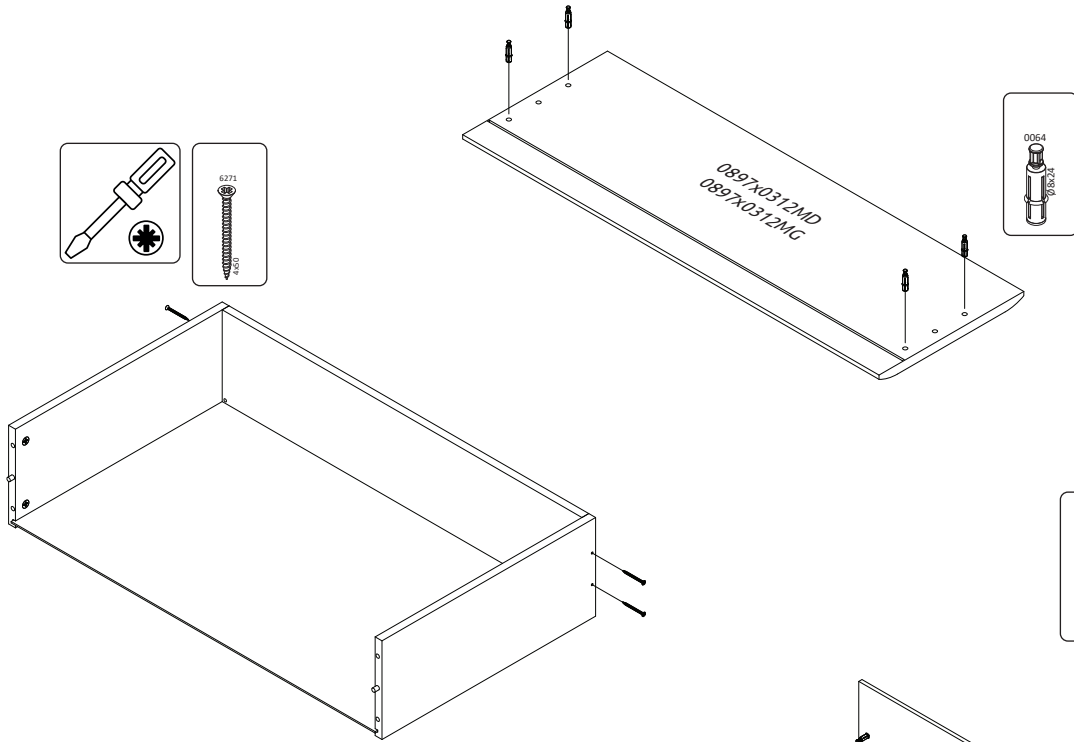
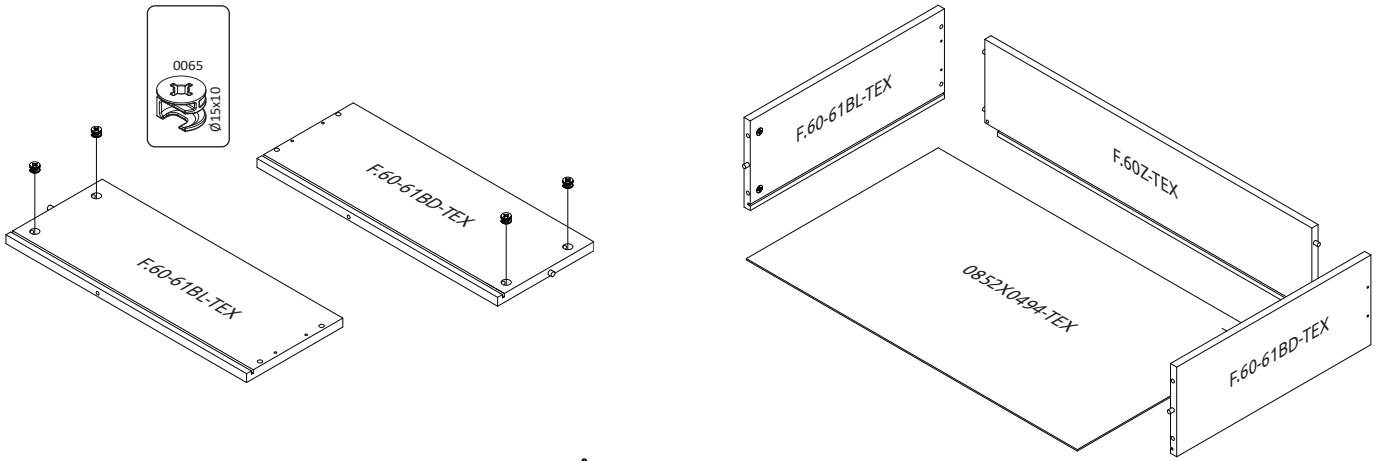
P54-30G-IC
LWH - 2318x597x2261

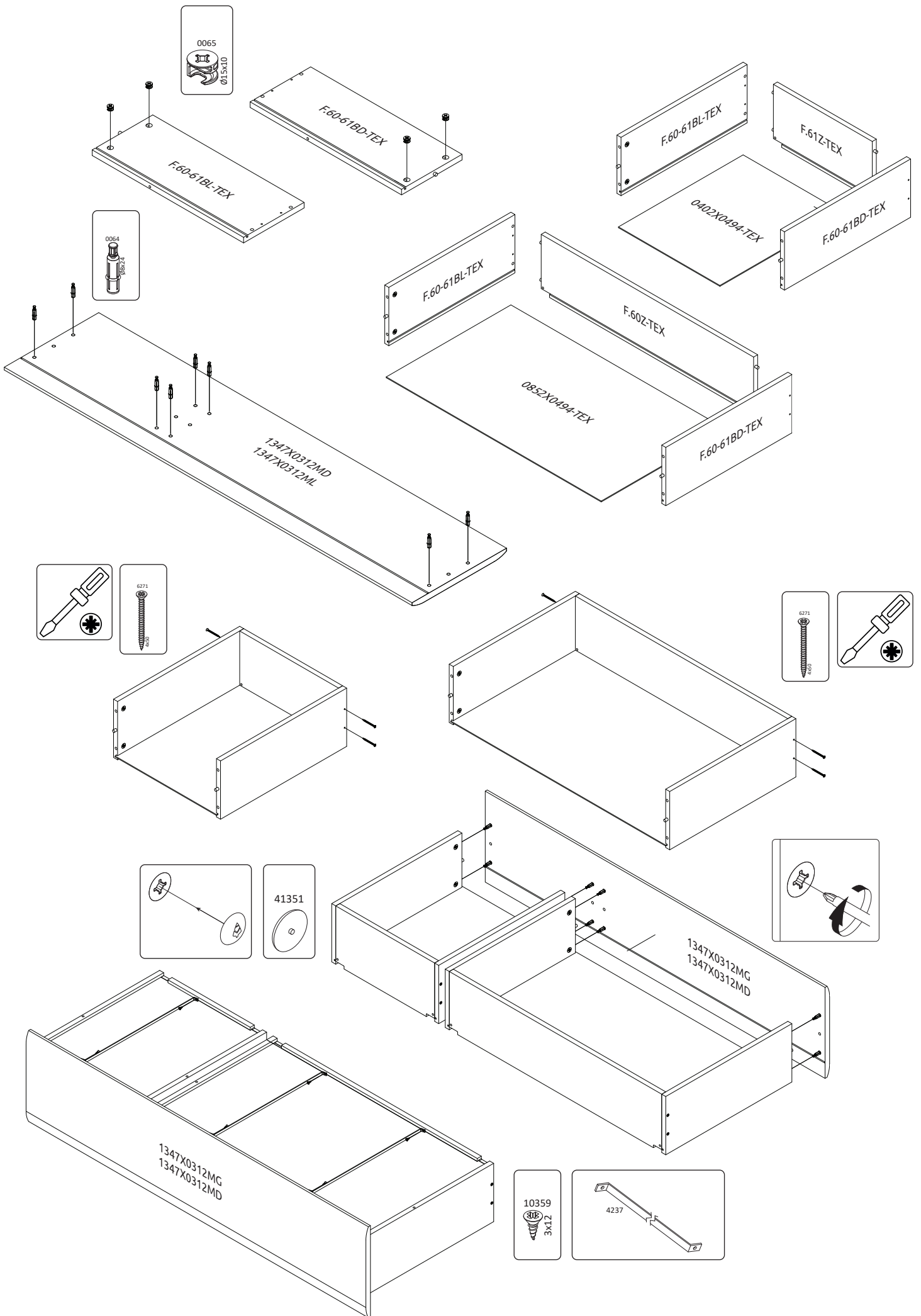


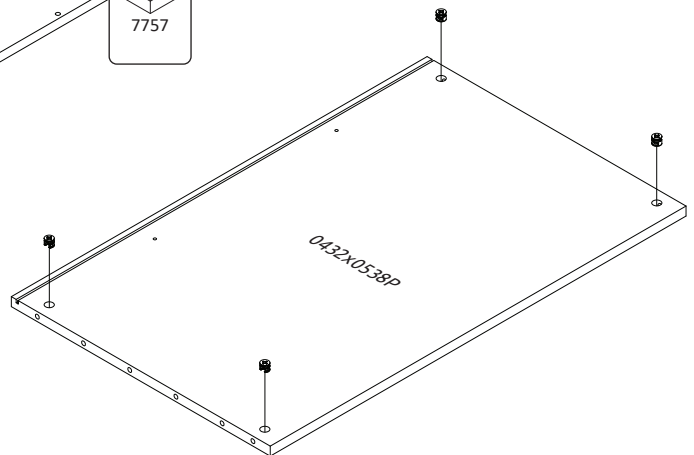
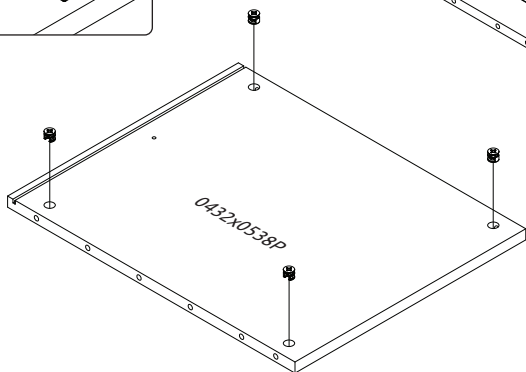
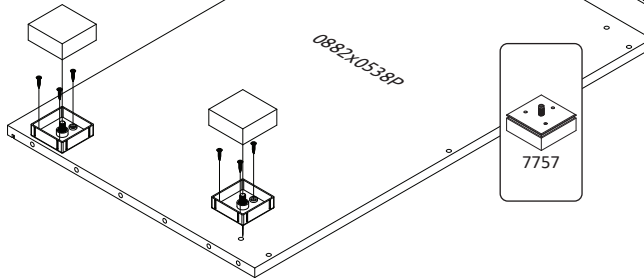
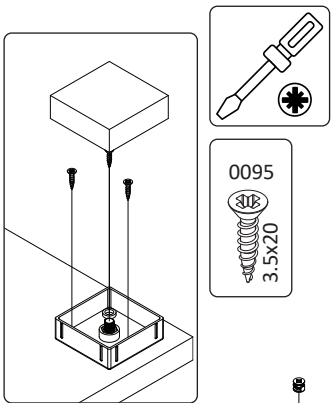
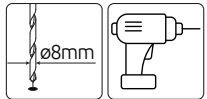
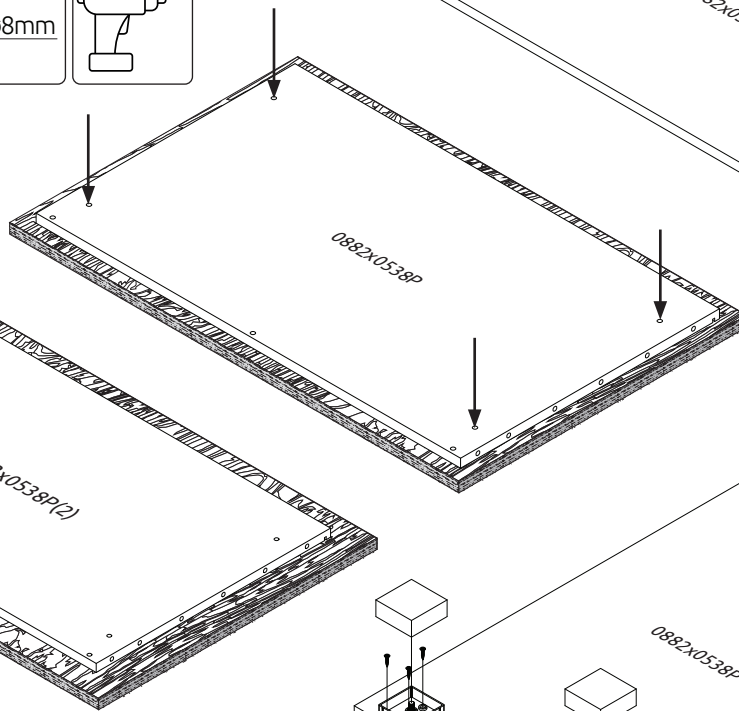
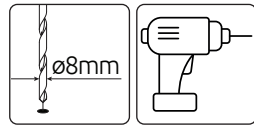
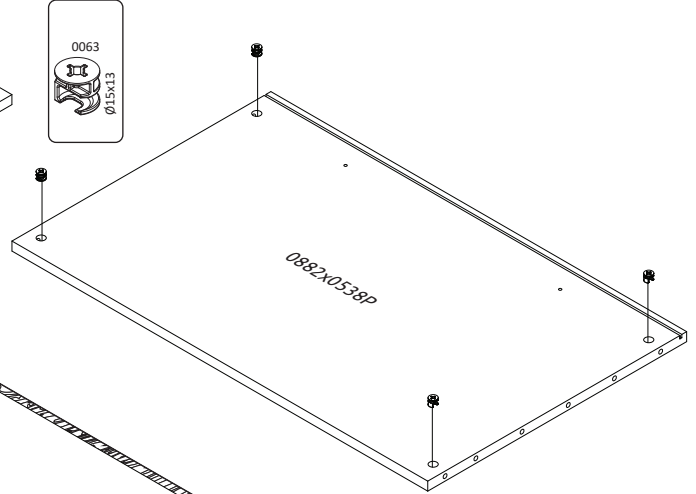
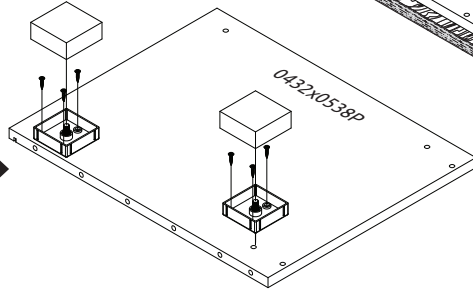
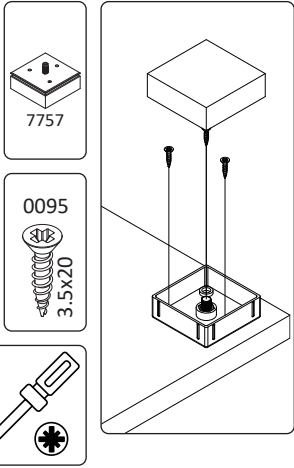
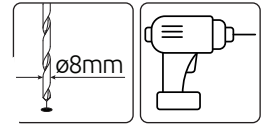
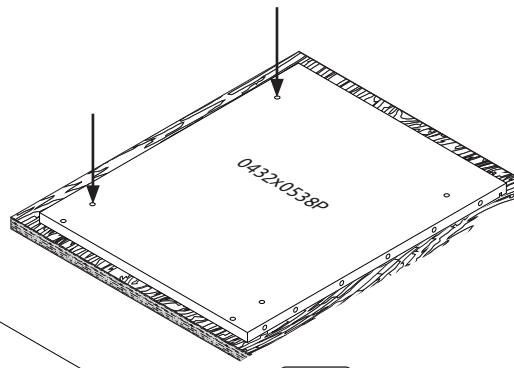
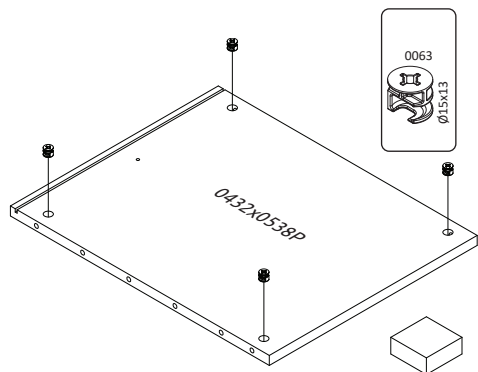
* OPT P54-20G - X2
 * OPT P54-30G - X3
 * OPT P54-50G - X5

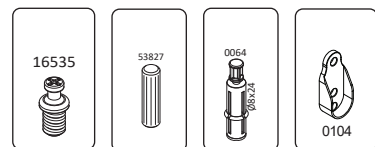
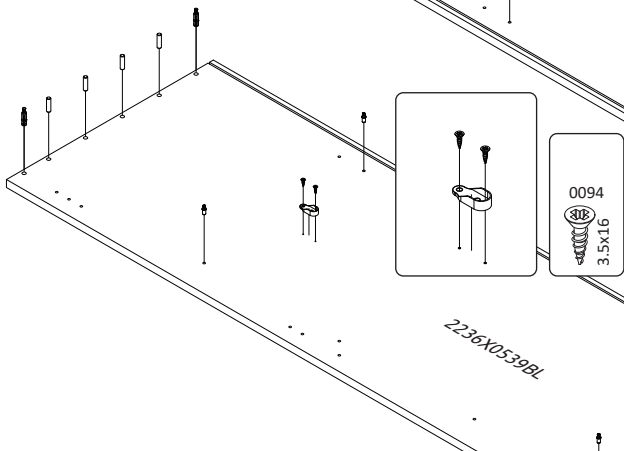
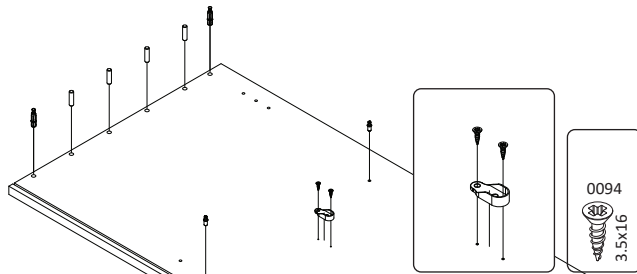
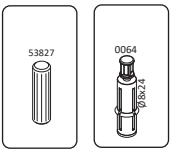
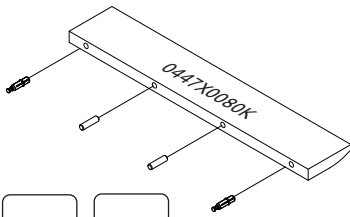
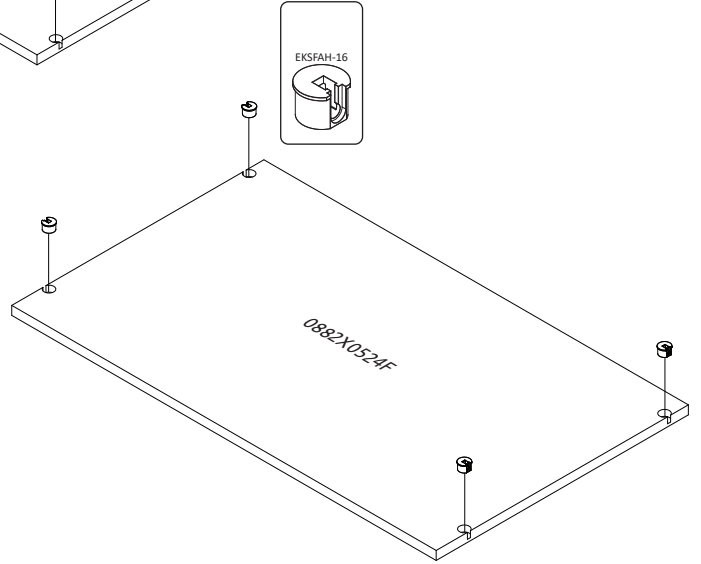
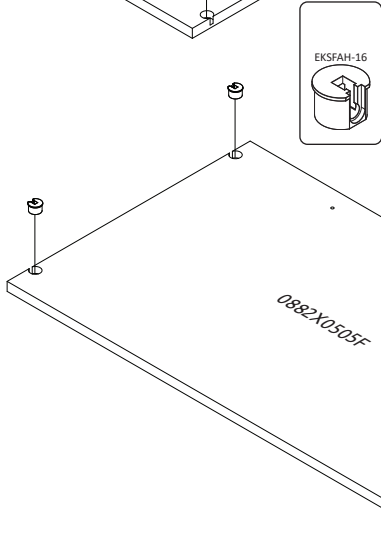
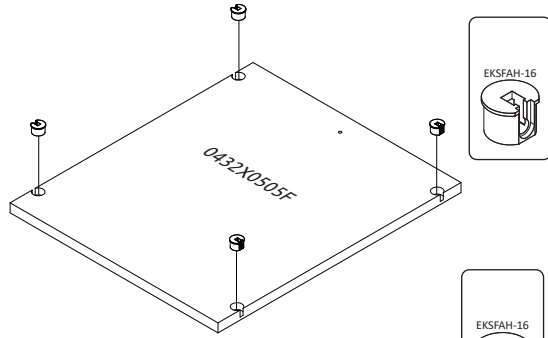
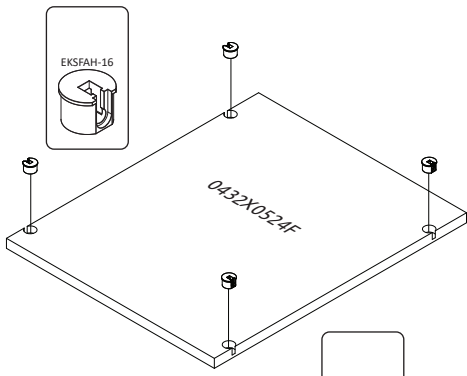
* OPT P54 - X5
 * OPT P54-20G - X3
 * OPT P54-30G - X2

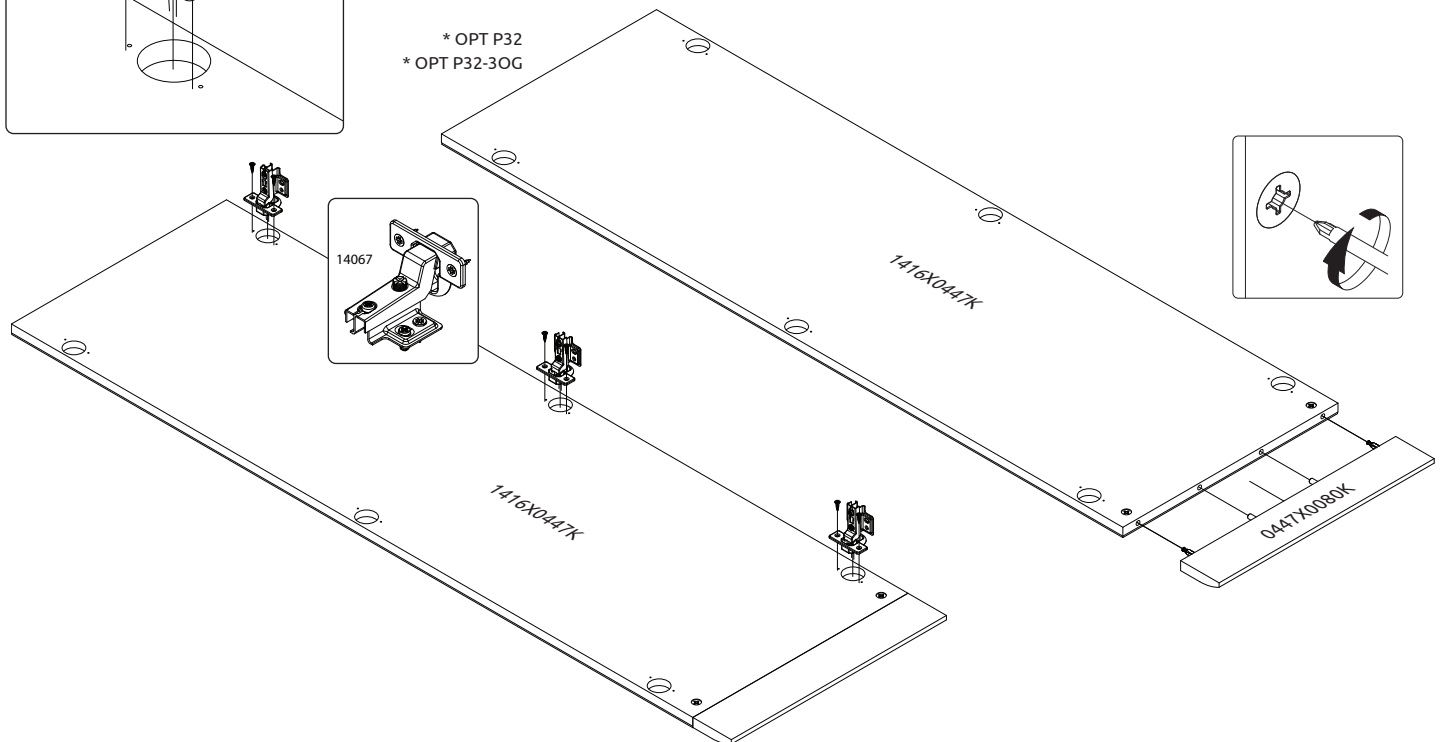
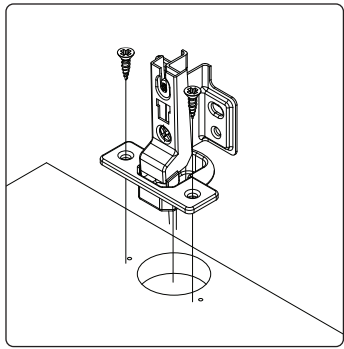
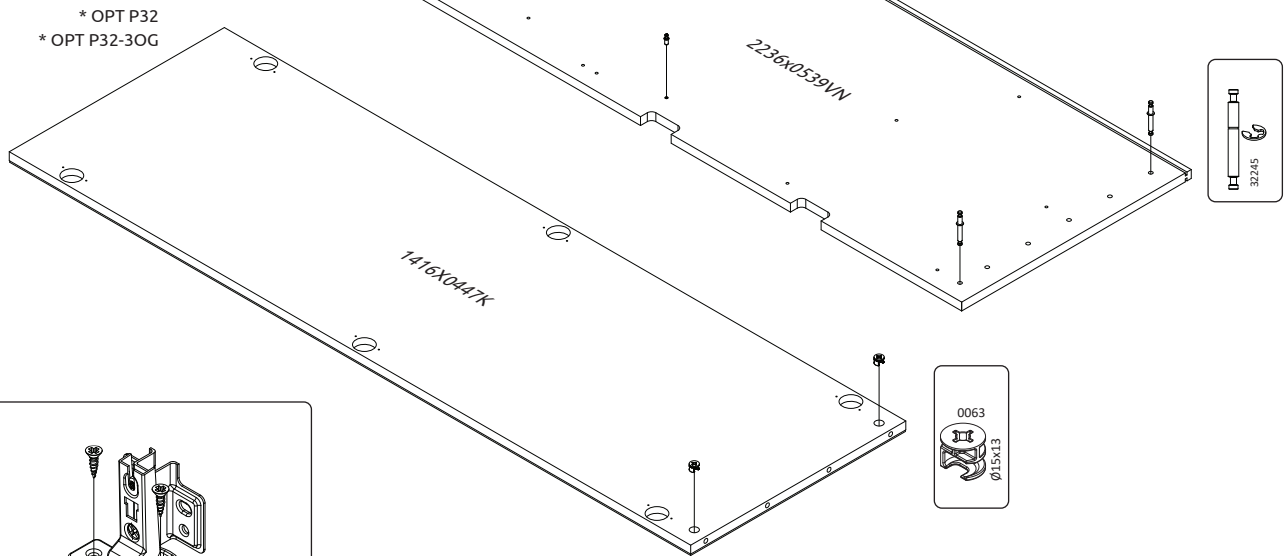
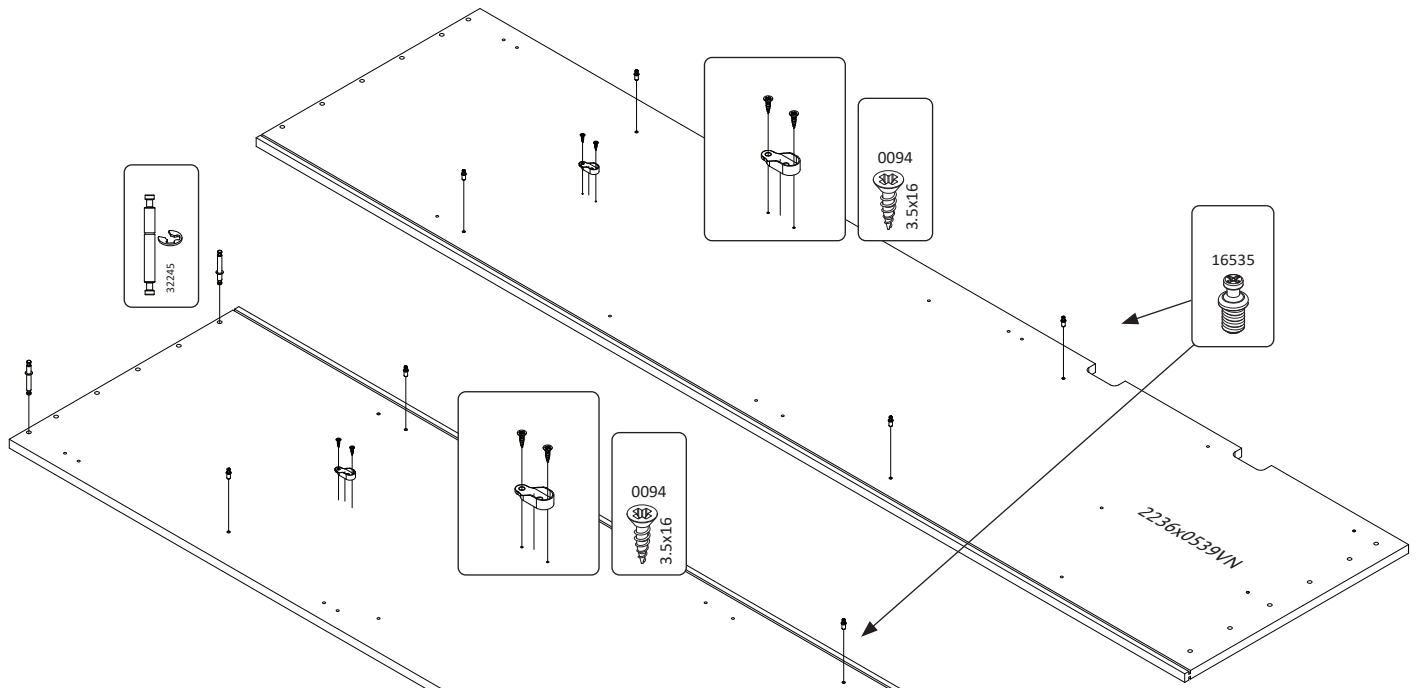




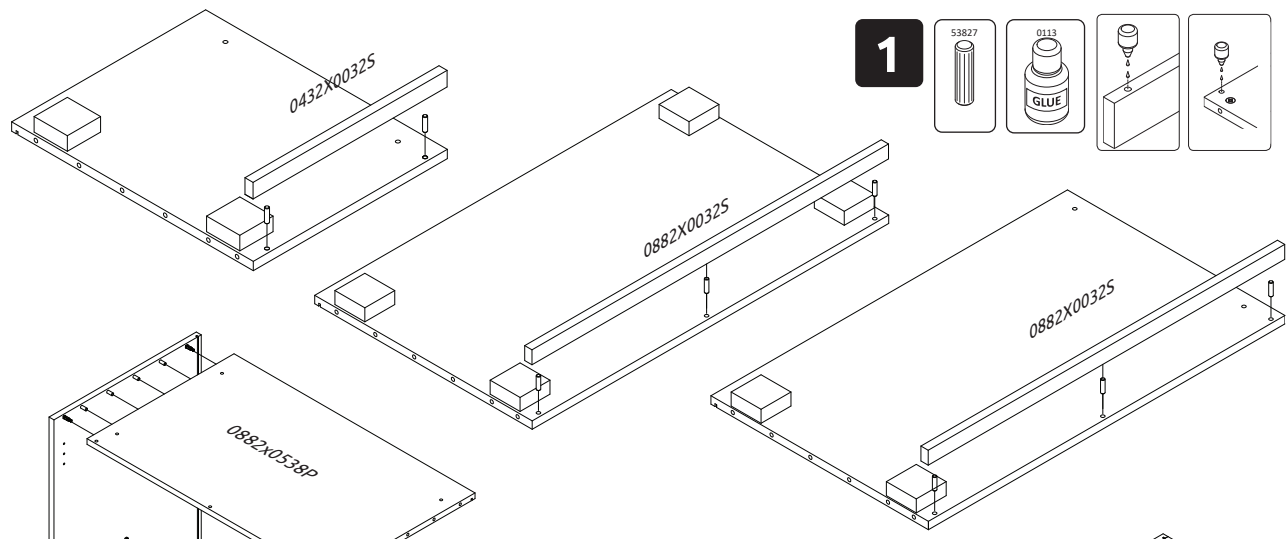
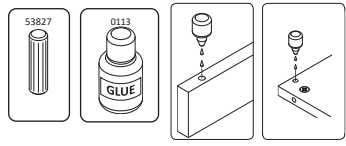




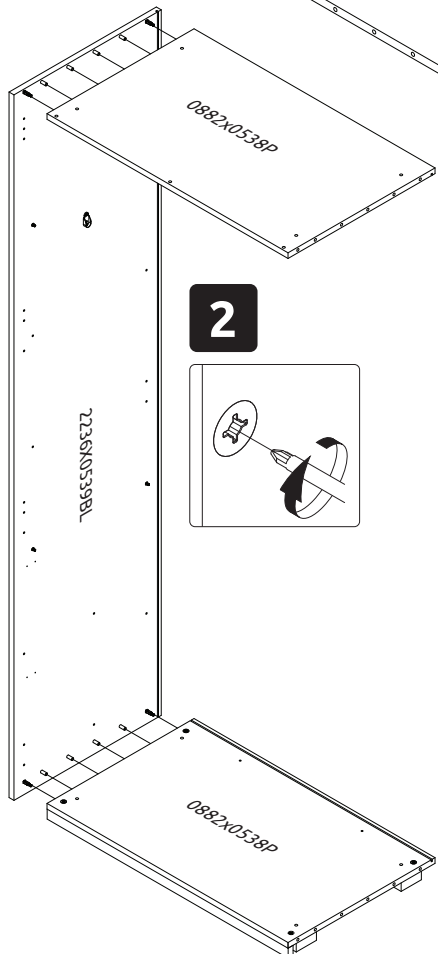
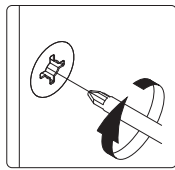




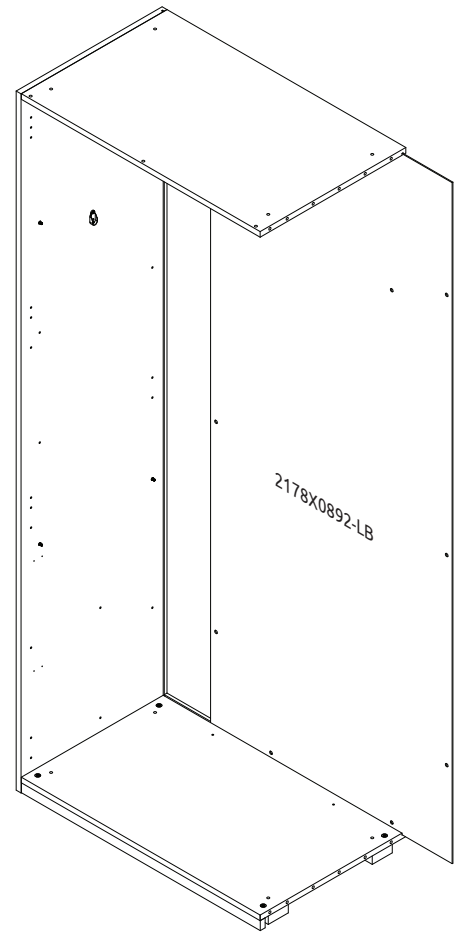
1



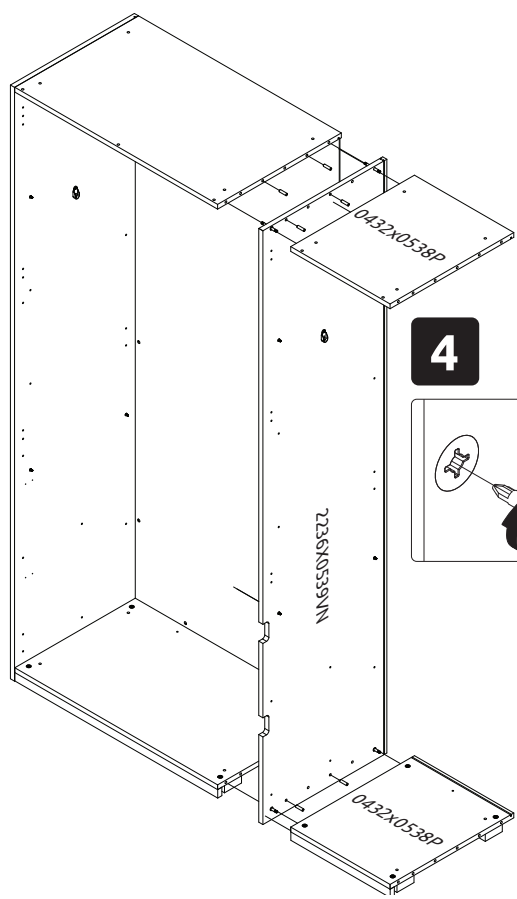
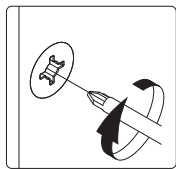
2

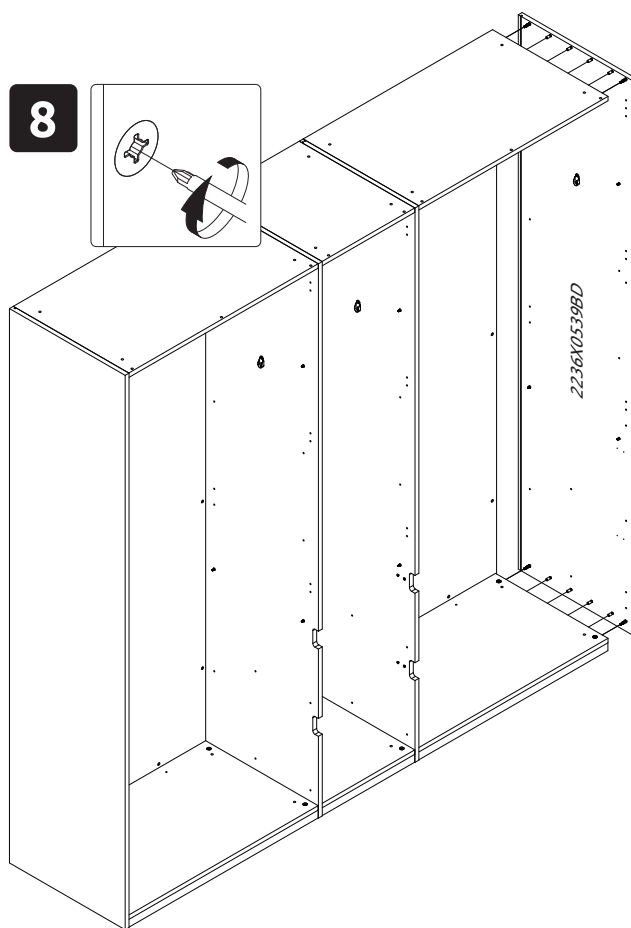
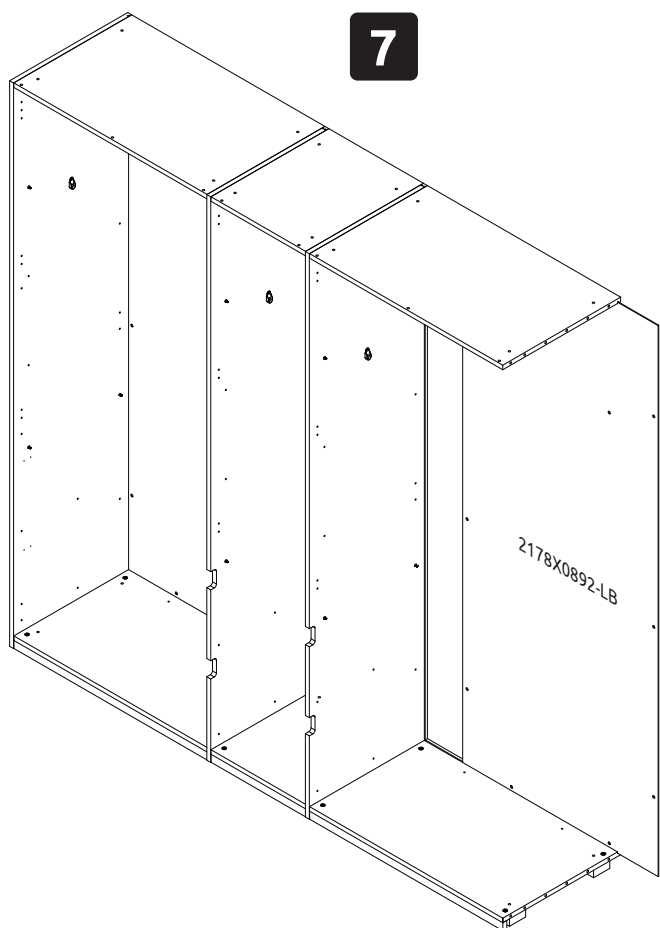
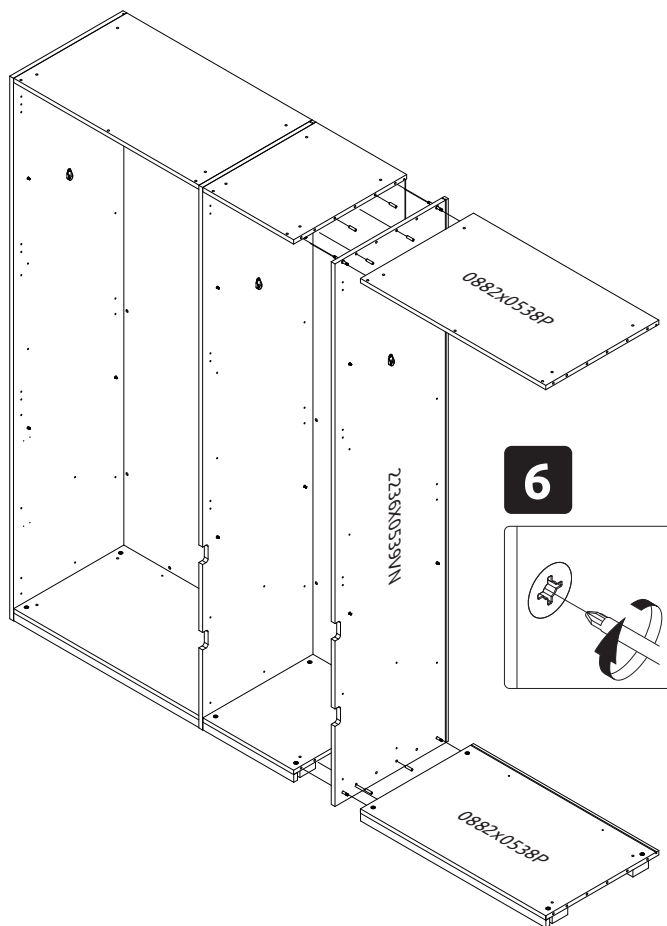
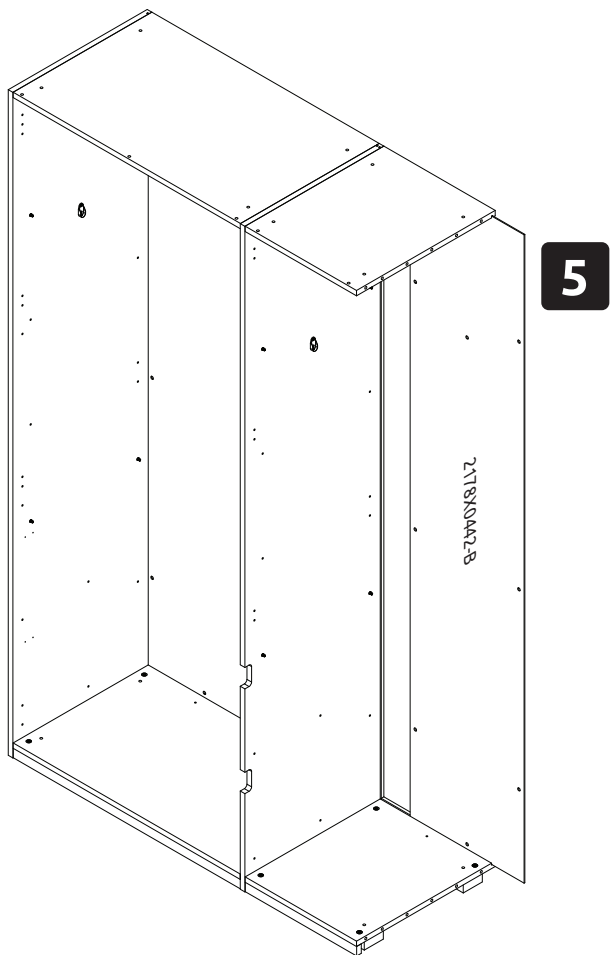


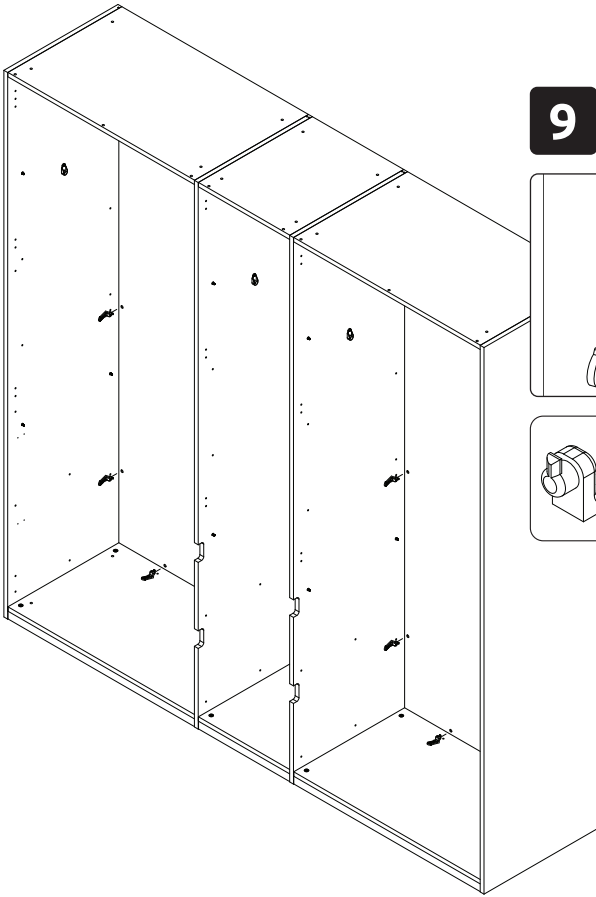
3



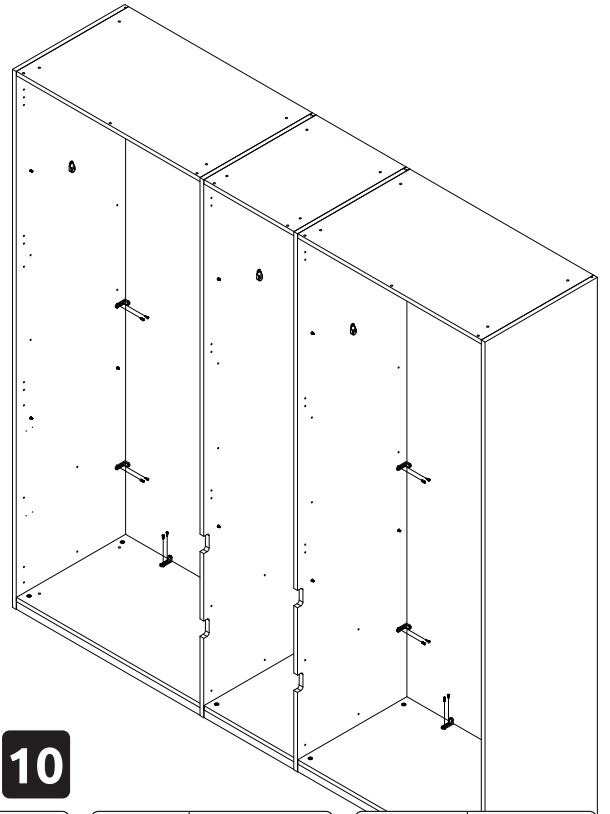
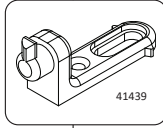
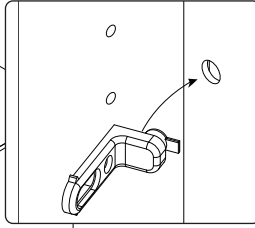
4



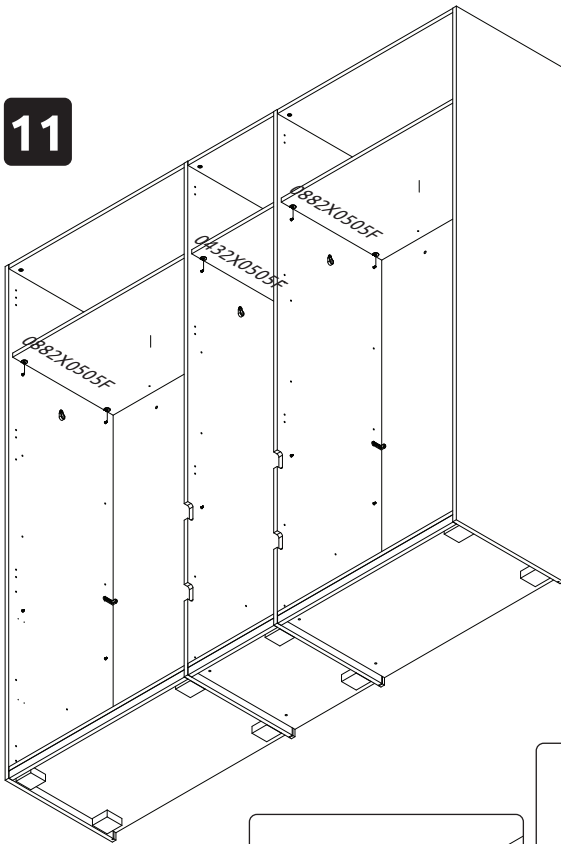
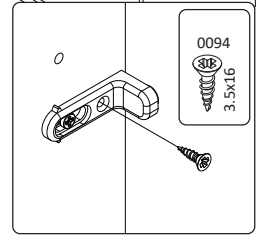
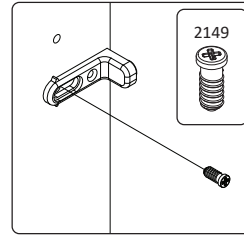
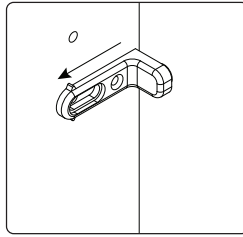




9

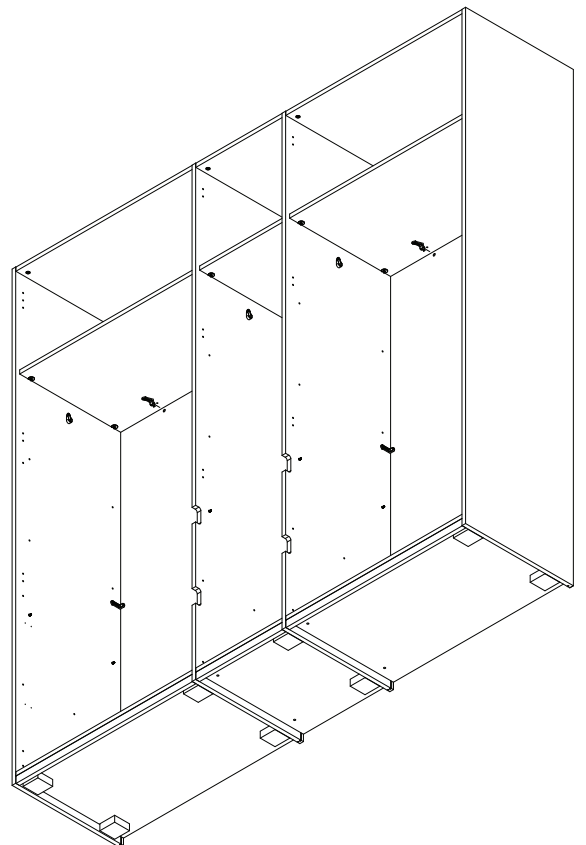
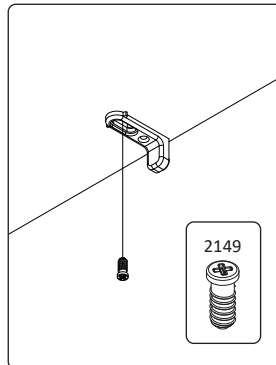
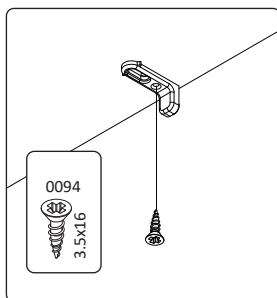
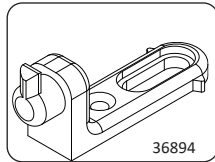


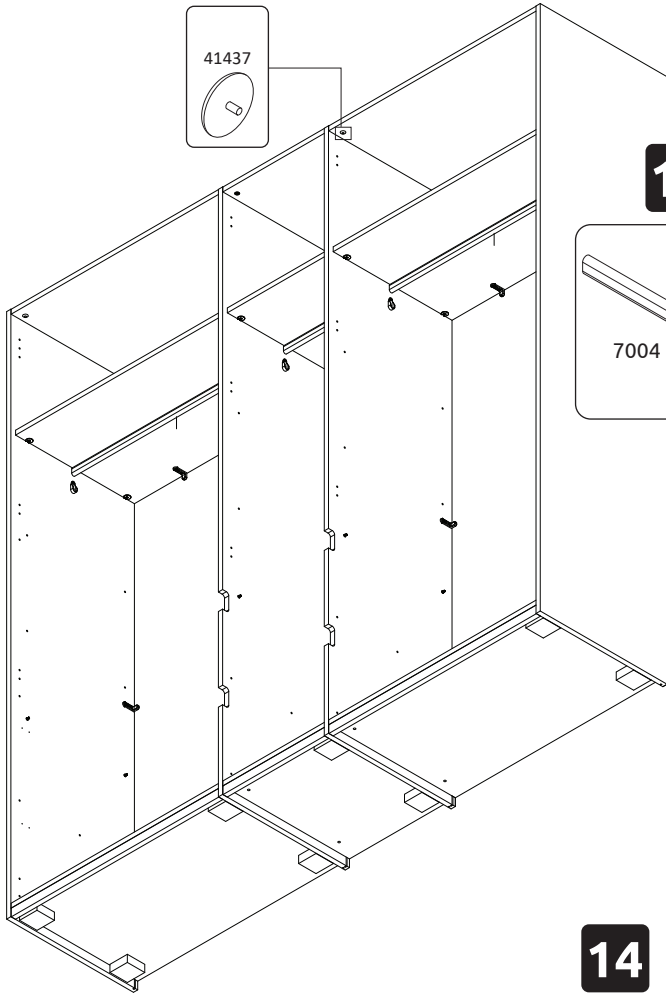
10



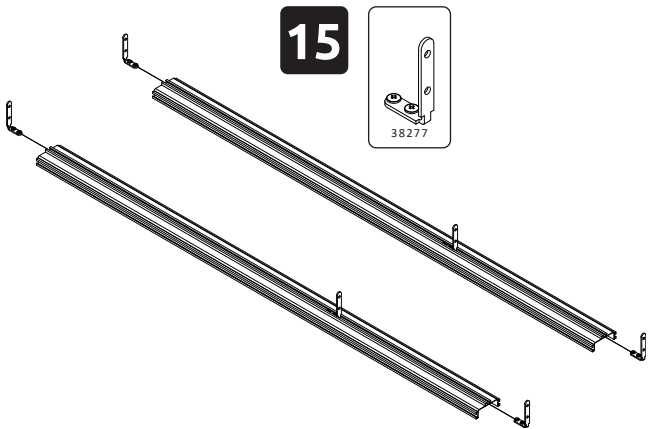
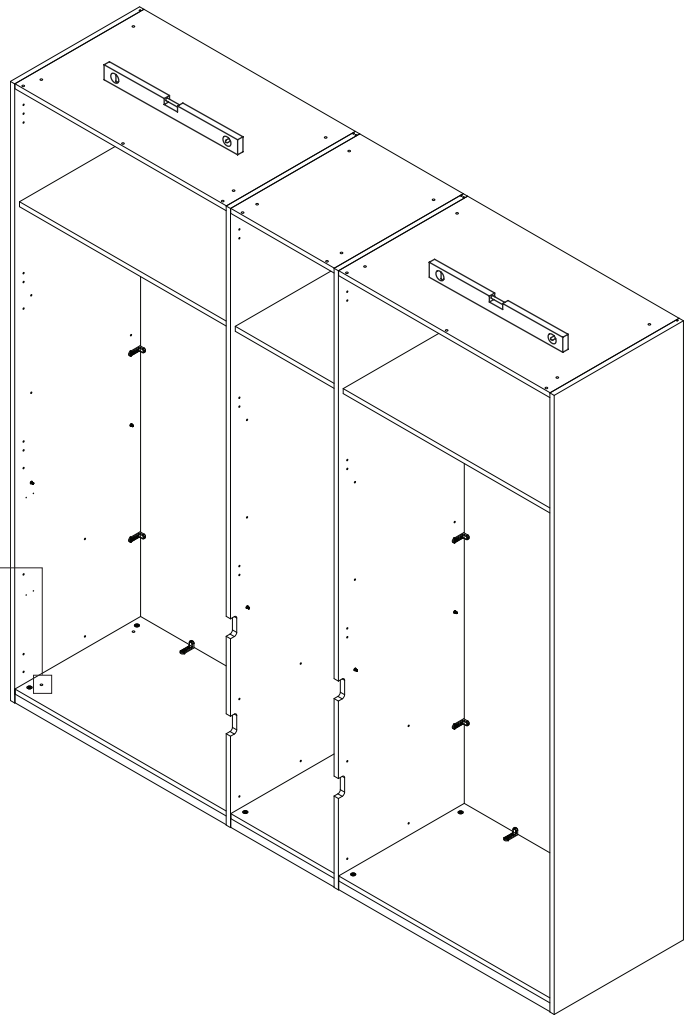
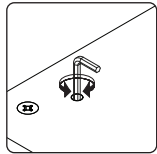
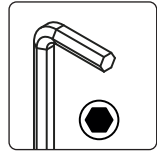
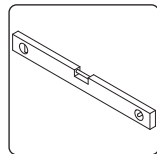
11

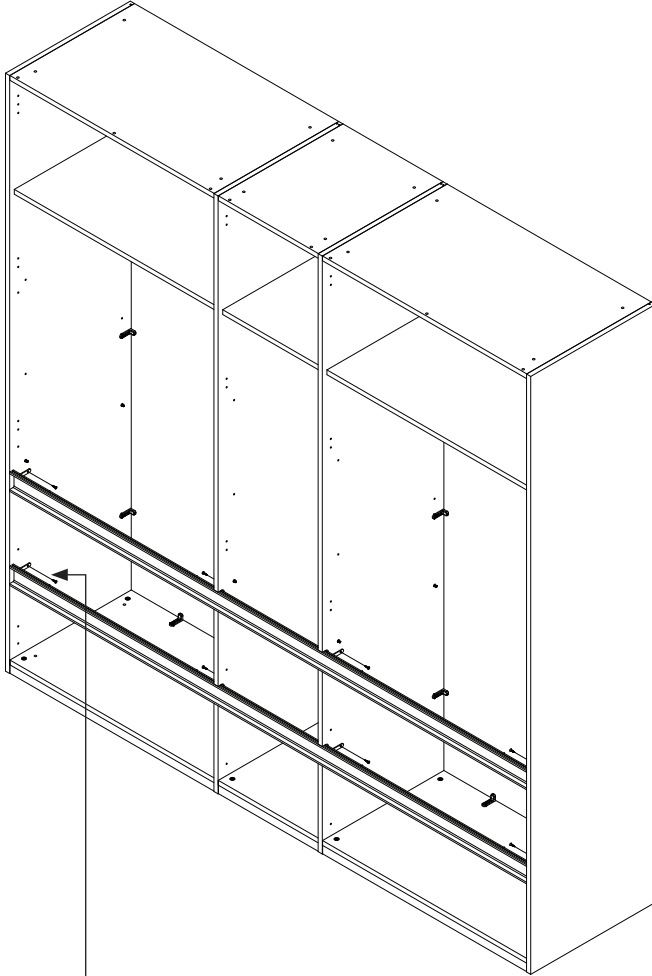
12



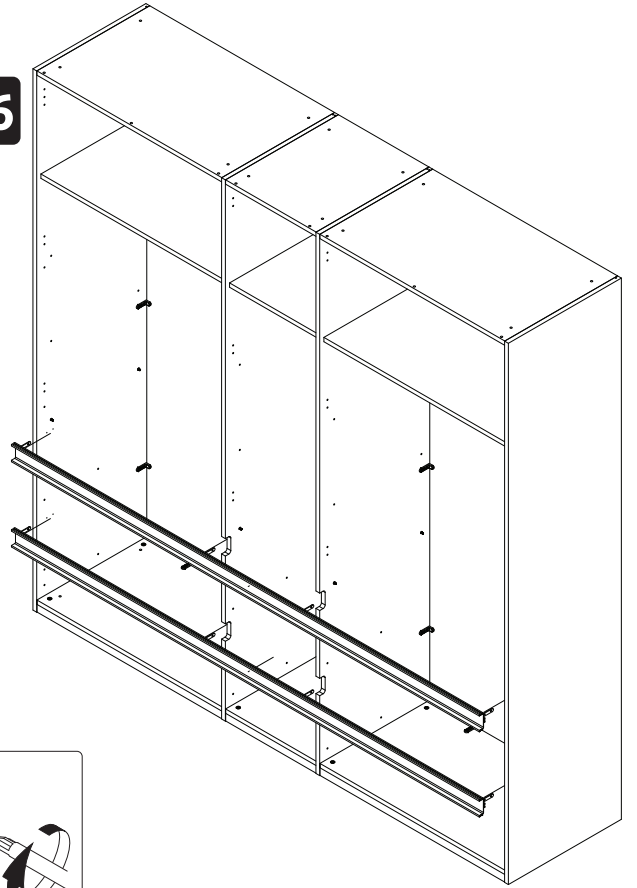


14

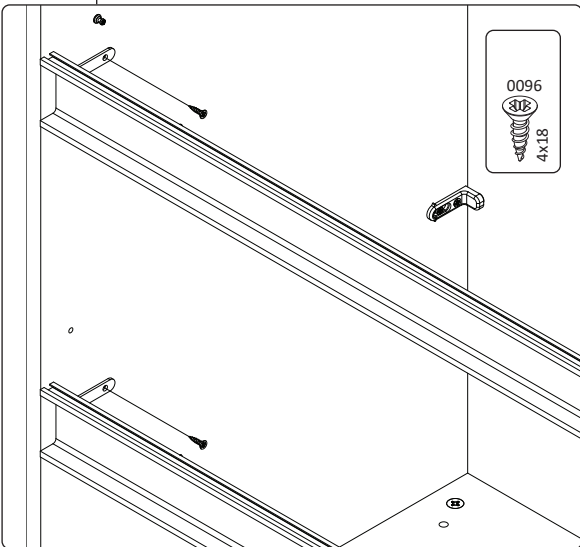
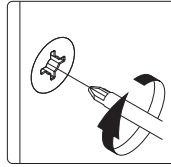




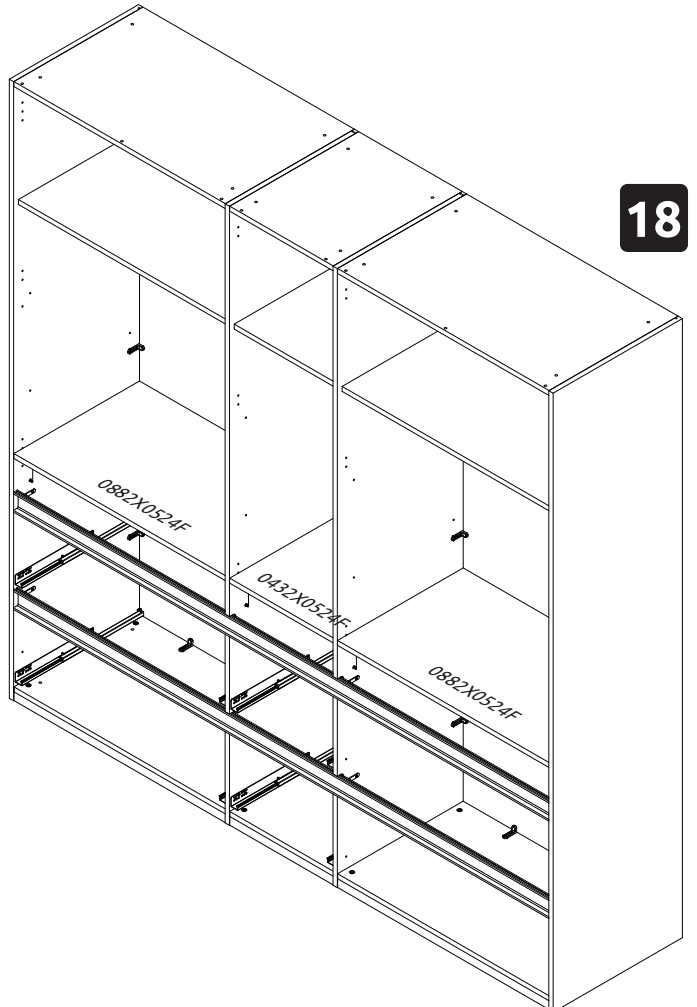
16

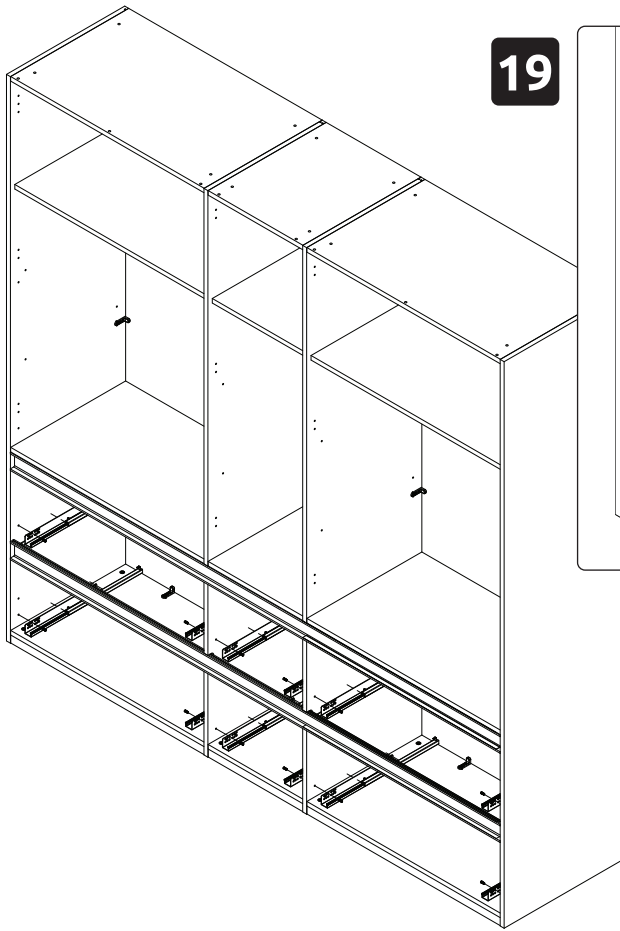


17

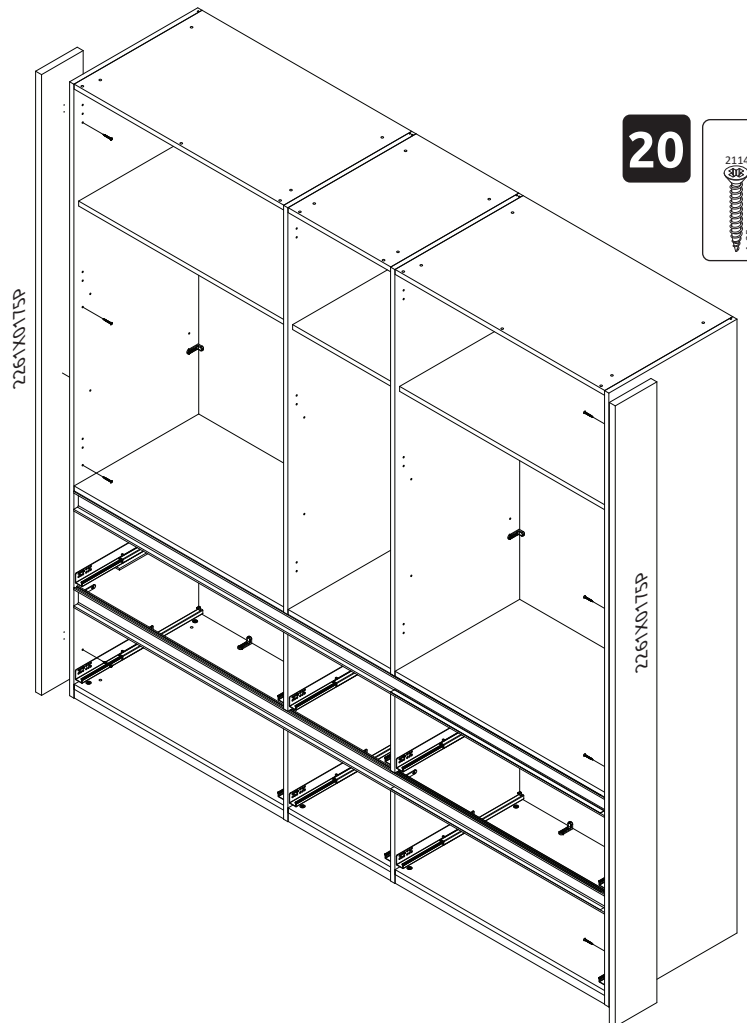
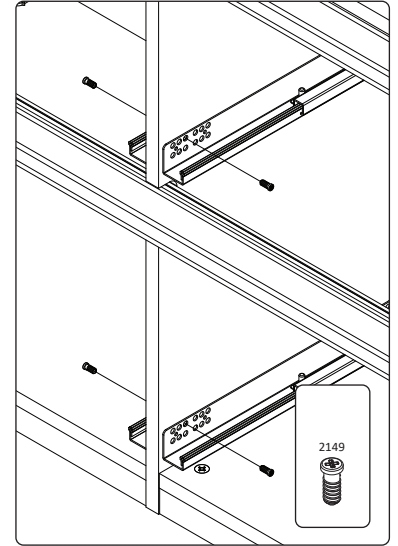
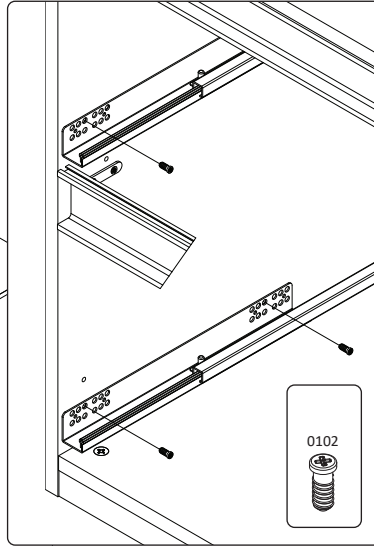


18





19

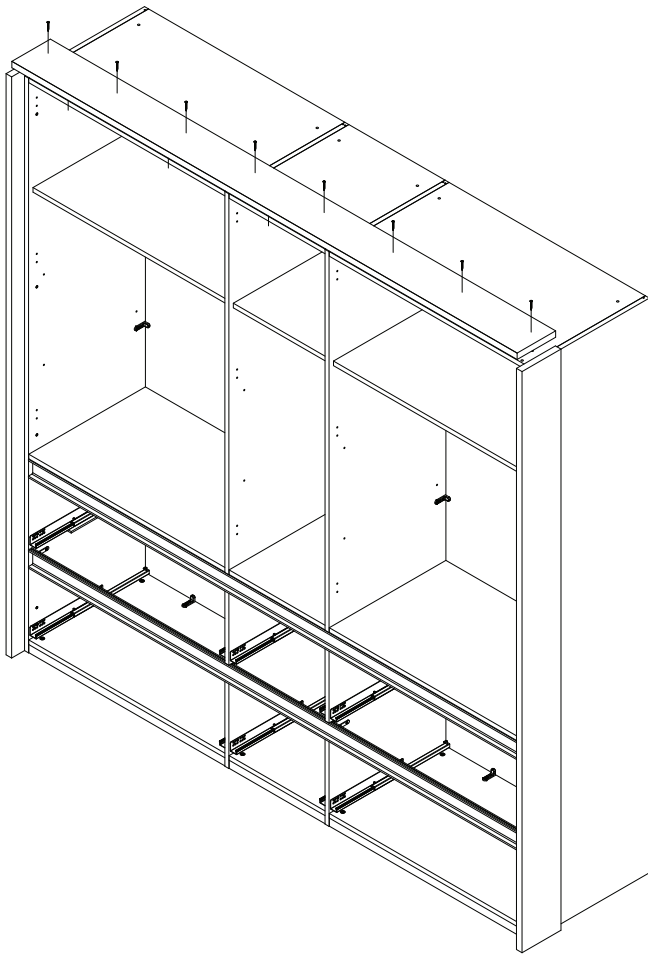


20

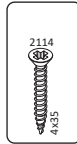


2261N01TSP

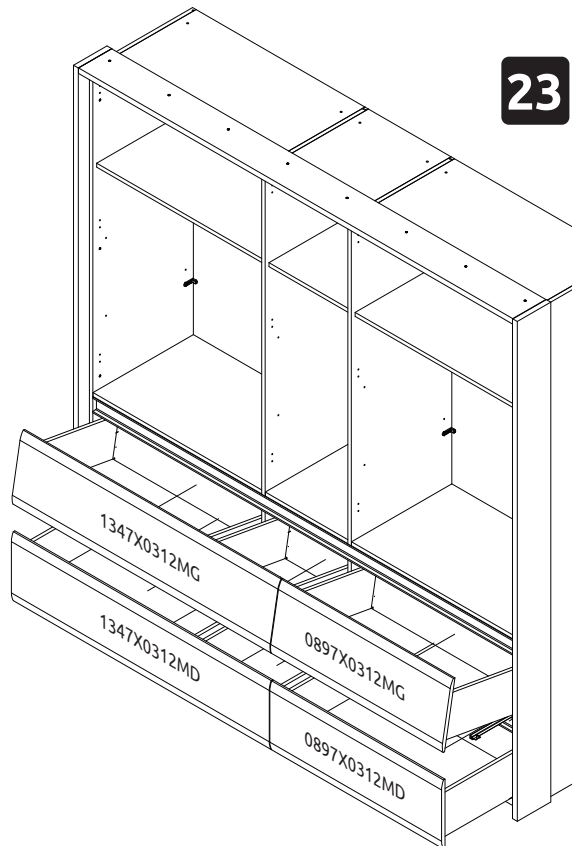
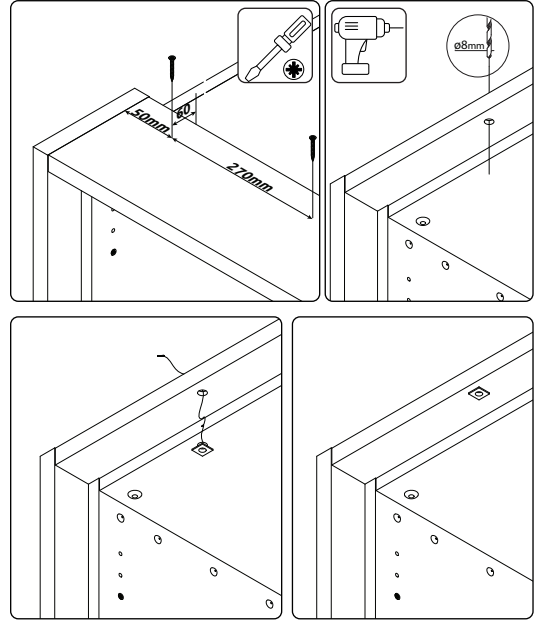
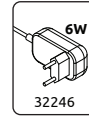
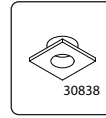
2261N01TSP



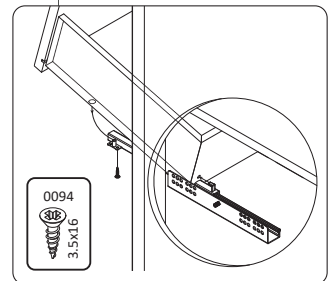
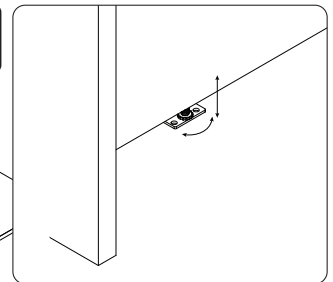
21



22

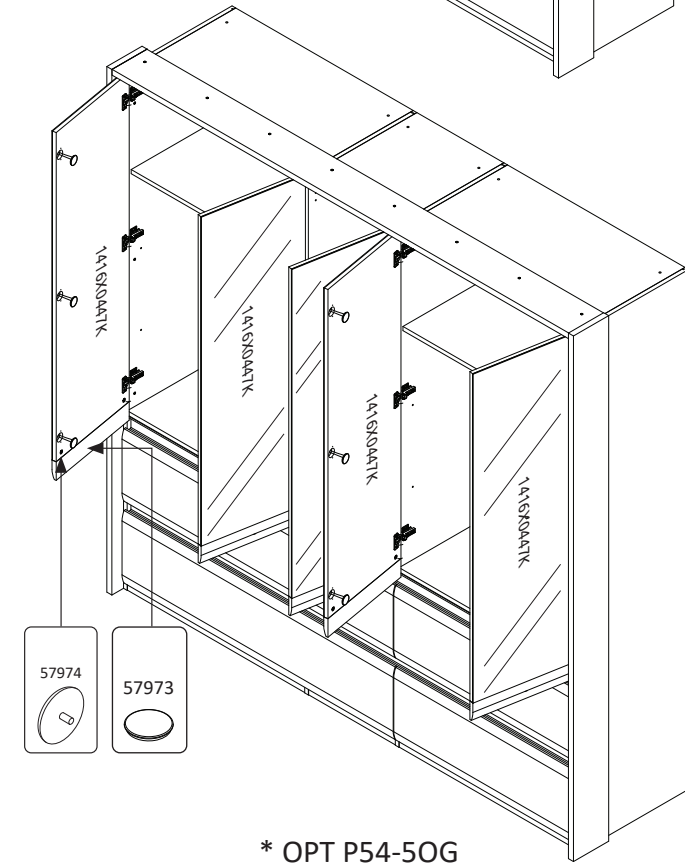
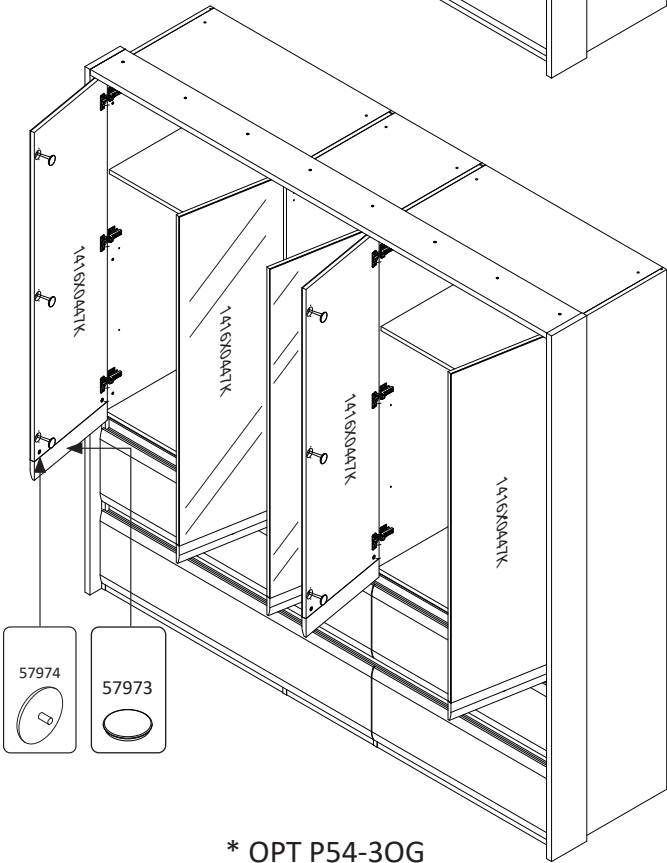
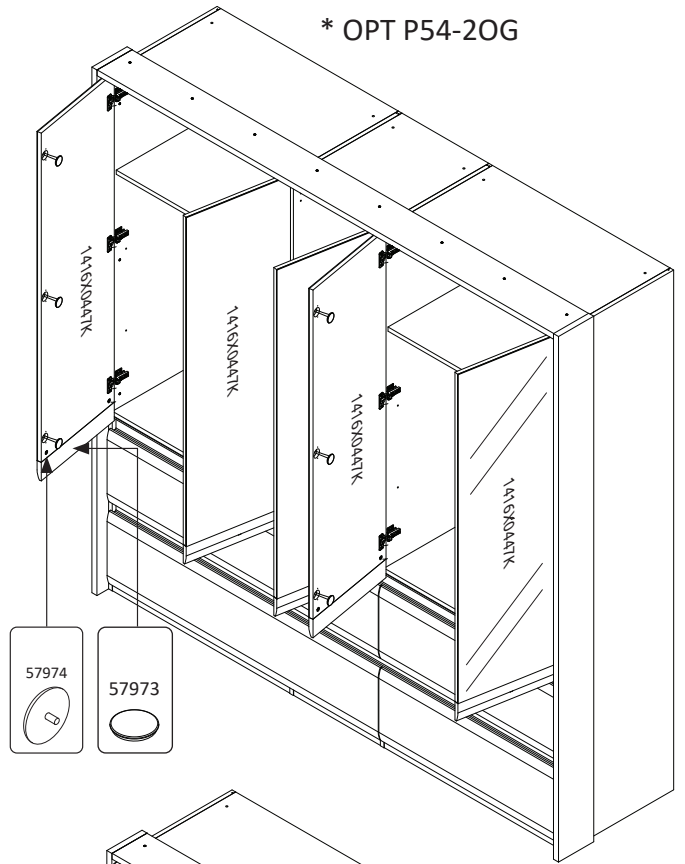
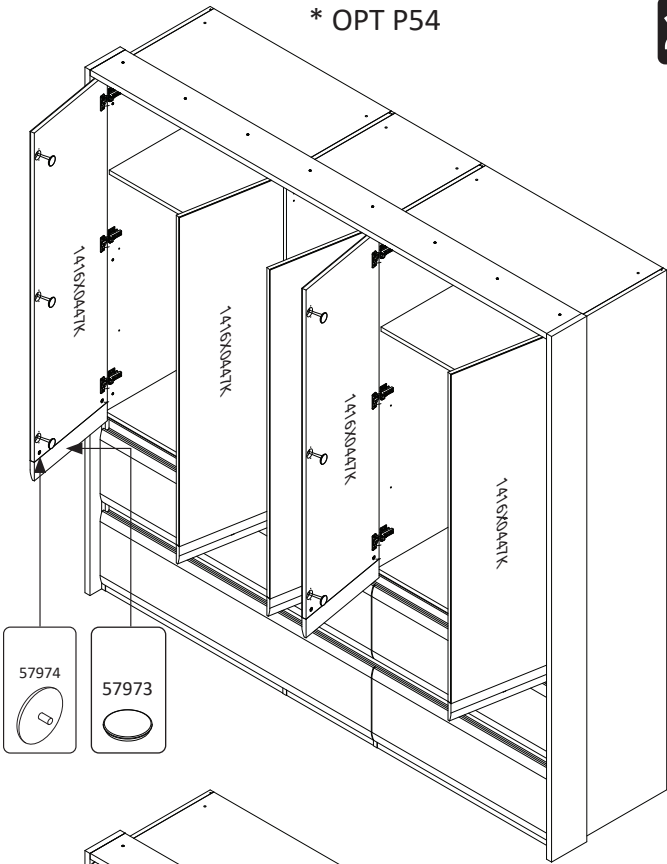


23



* OPT P54

* OPT P54-20G



* OPT P54-30G

* OPT P54-50G

