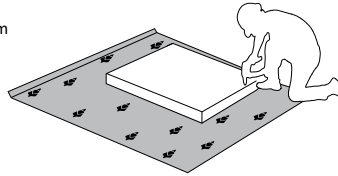
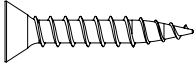
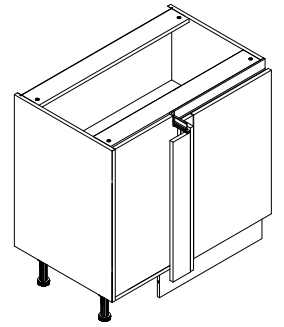




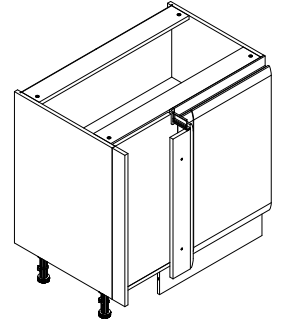
IMPORTANT - READ CAREFULLY - RETAIN FOR FUTURE REFERENCE
 WICHTIG - SORGFÄLTIG LESEN UND AUFBEWAHREN



53946

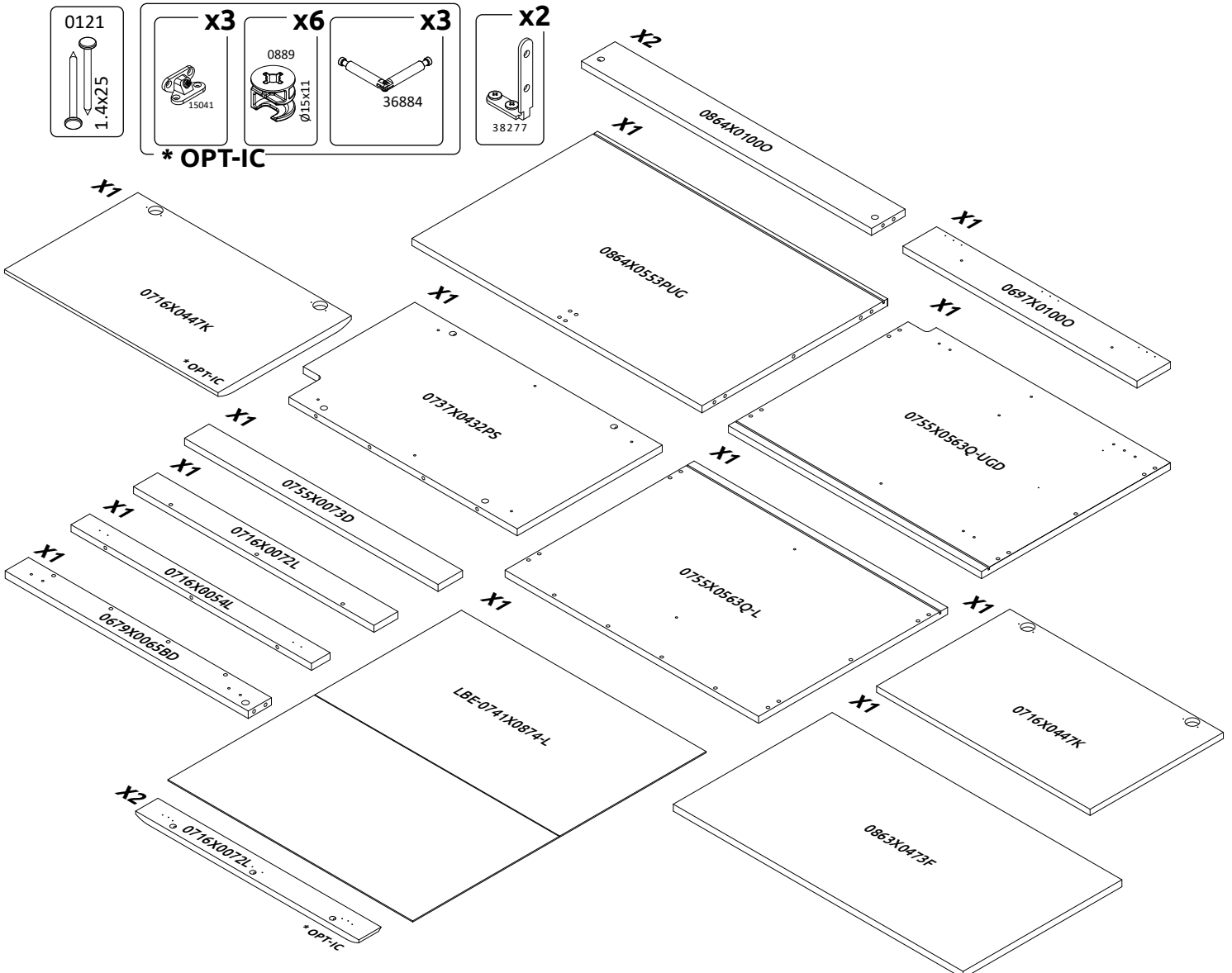


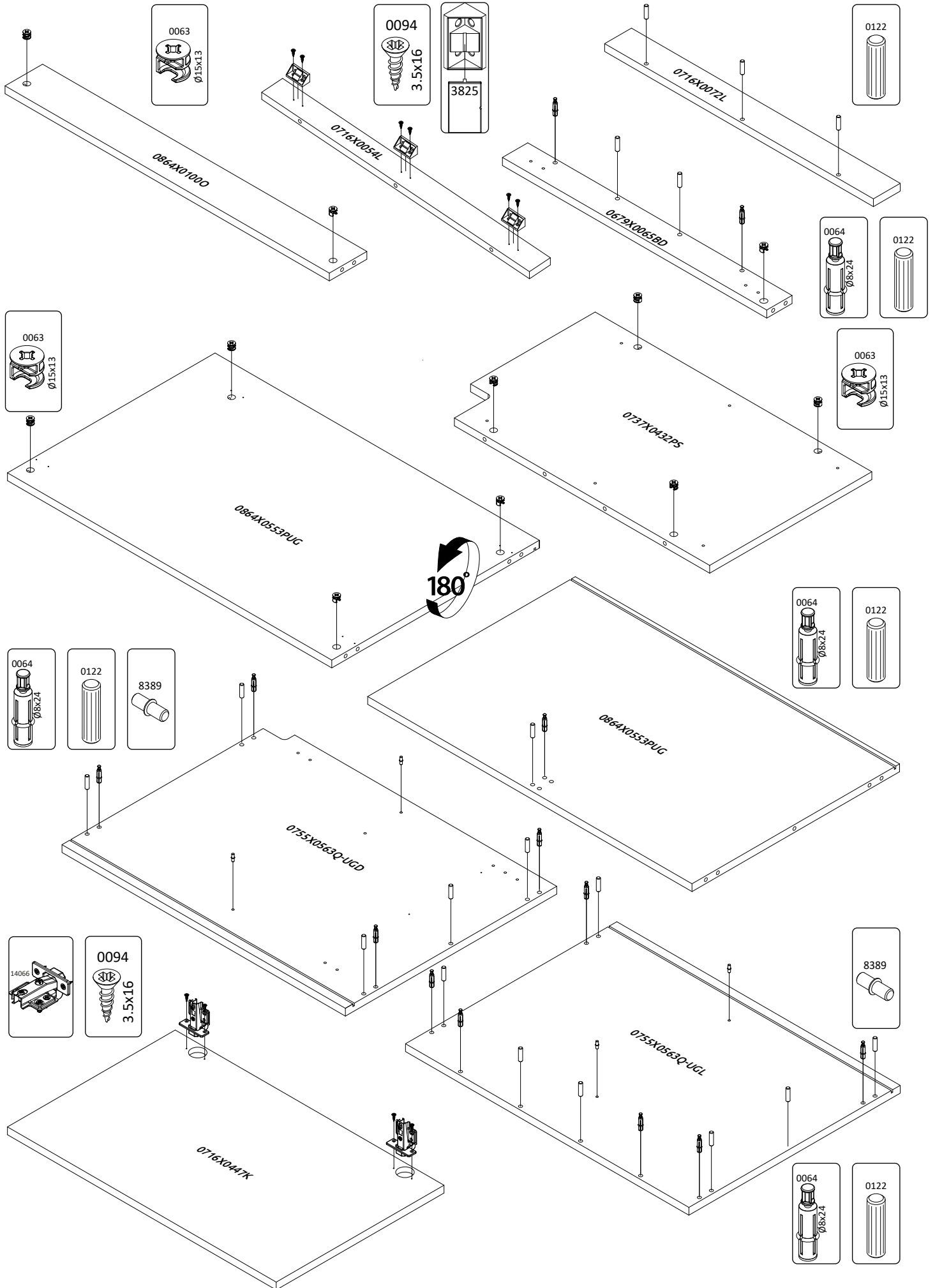
R-UG-1KR
 LHW-300X800X600

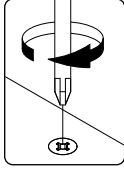
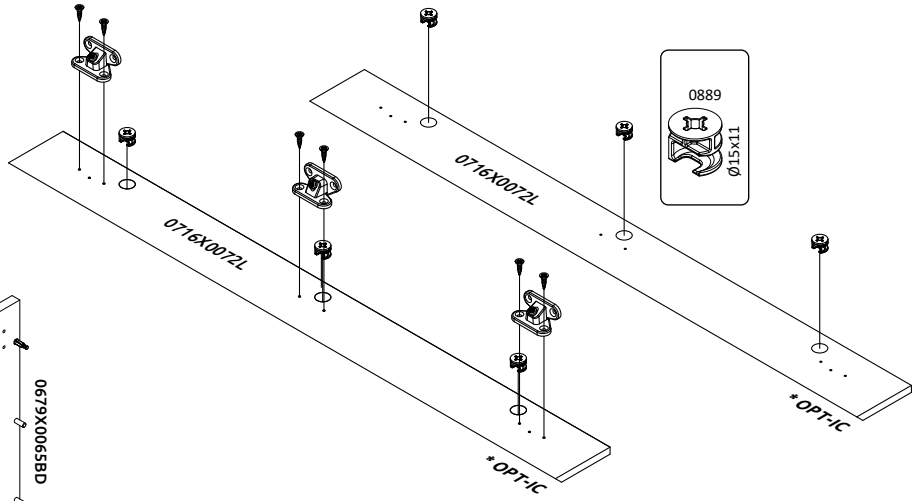
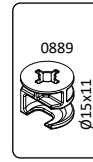
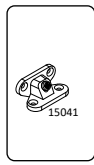


- | | | | | | | | | | | |
|------------------------------|-----------------------------|-----------------------------|--------------------|--------------------|------------------------------|-----------------------------|----------------------------|---------------------------|---------------------------|-------------------|
| x14
0063
Ø15x13 | x14
0064
Ø8x24 | x4
8389 | x24
0122 | x8
0108 | x12
0094
3.5x16 | x8
0095
3.5x20 | x36
0096
4x18 | x5
0099
4x30 | x6
2114
4x35 | x3
3825 |
| x4
CEP8-BE | x1
0113
GLUE | x2
8557 | x4
5096 | x2
6319 | x2
14066 | x1
38274 | x1
0073 | x2
4758 | x2
0093 | |
| 0121
1.4x25 | x3
15041 | x6
0889
Ø15x11 | x3
36884 | x2
38277 | | | | | | |

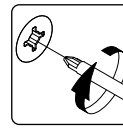
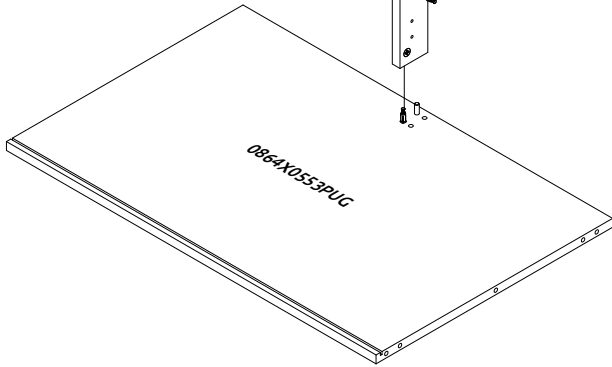
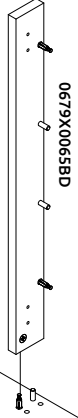
* OPT-IC



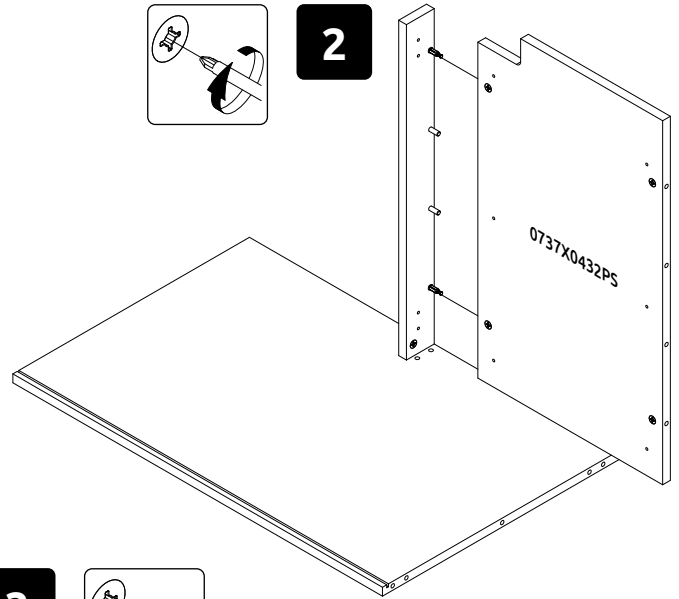




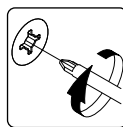
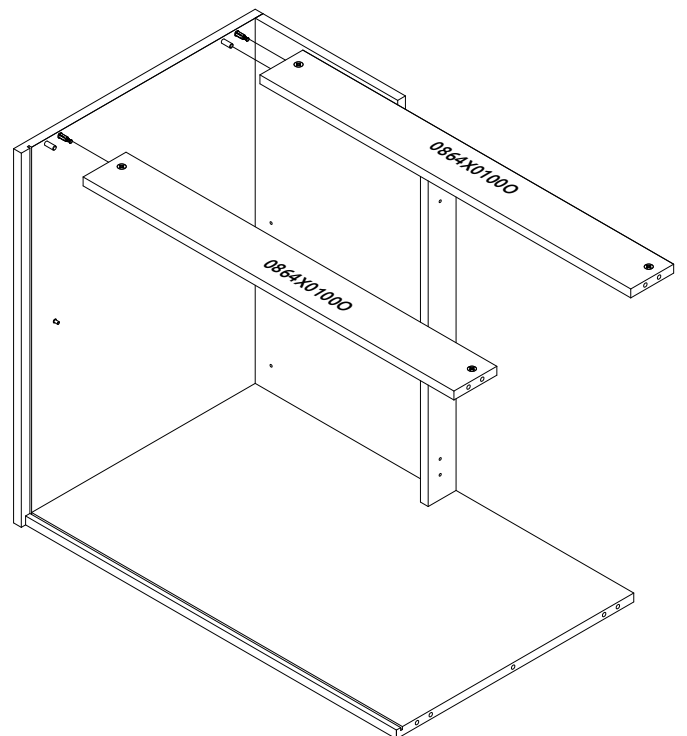
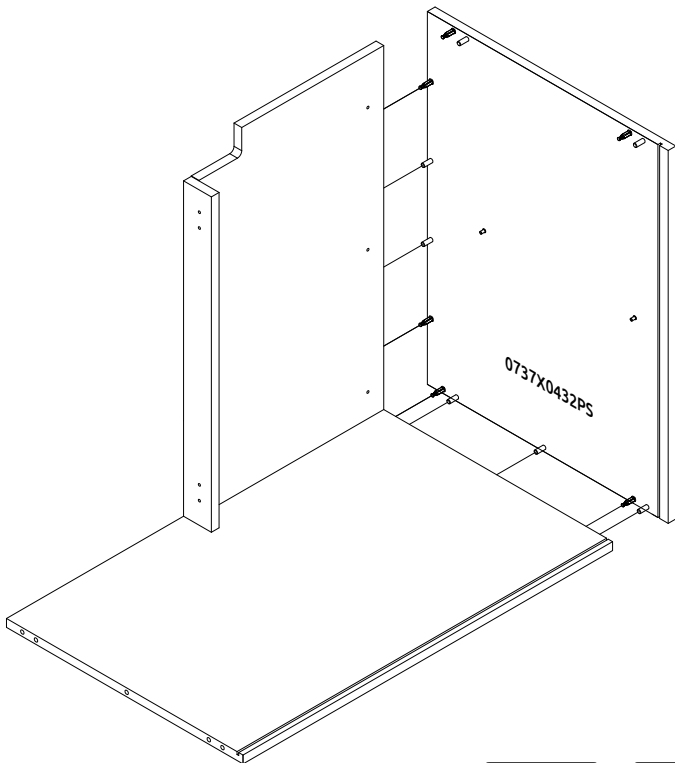
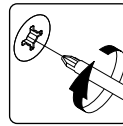
1



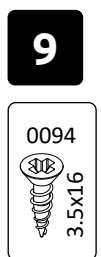
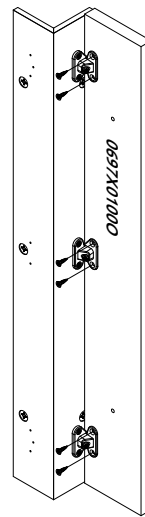
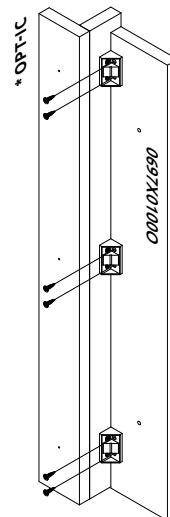
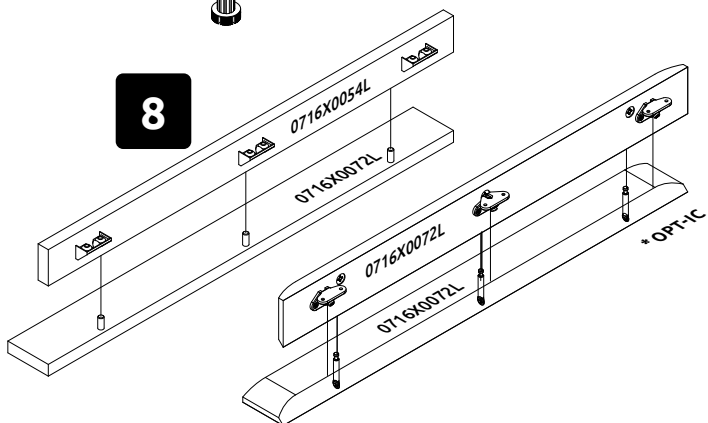
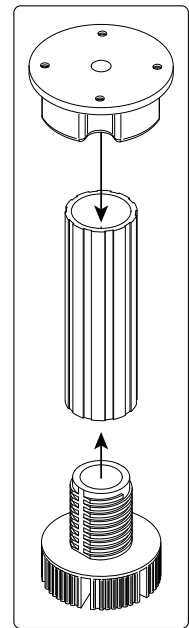
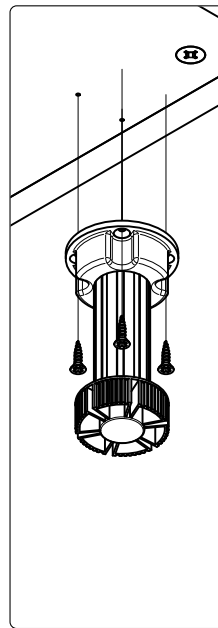
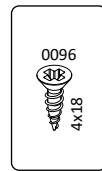
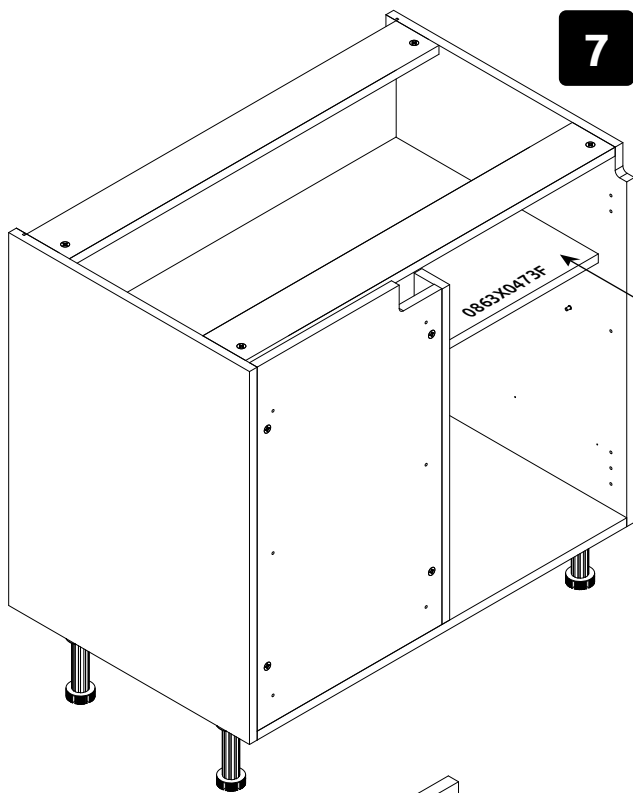
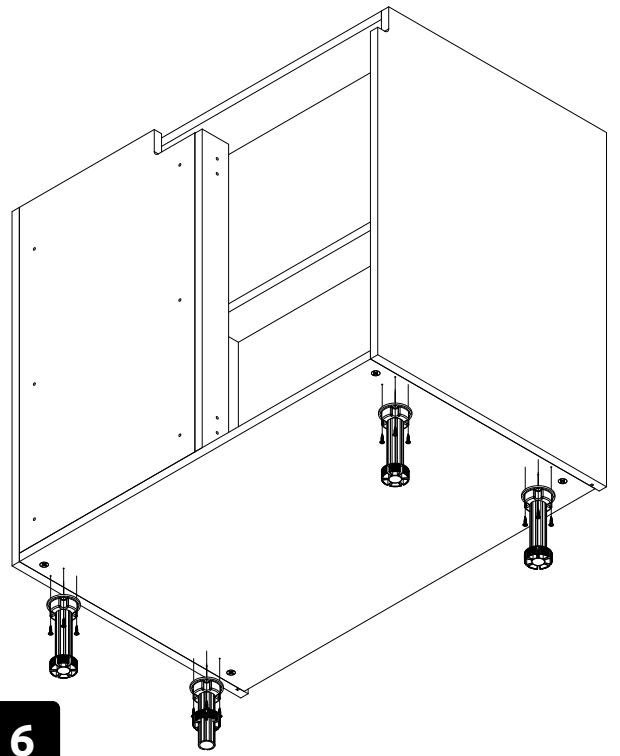
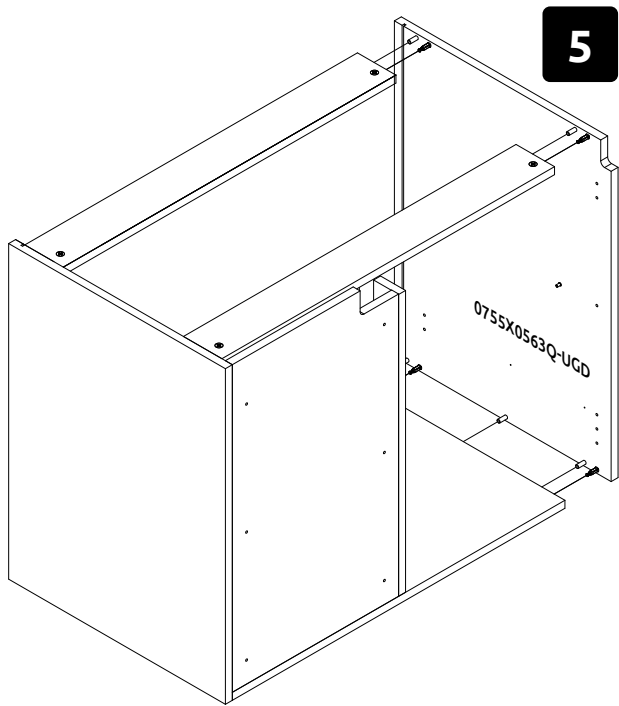
2

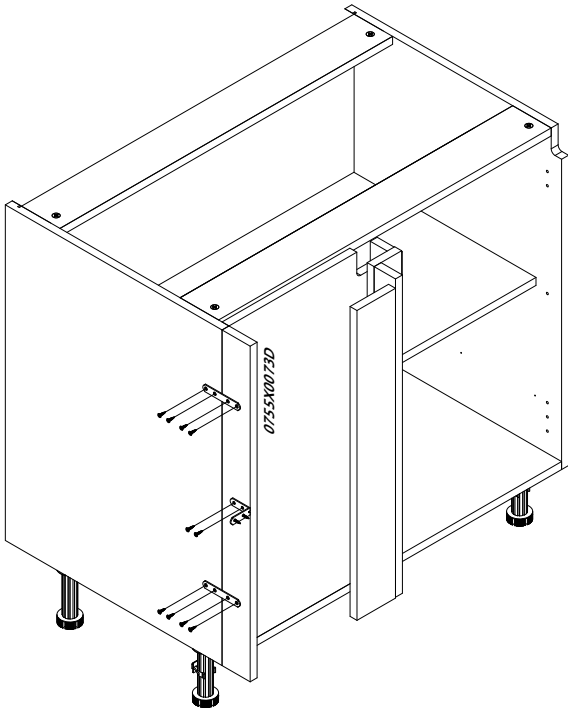


3



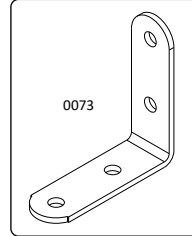
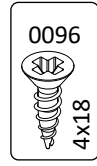
4



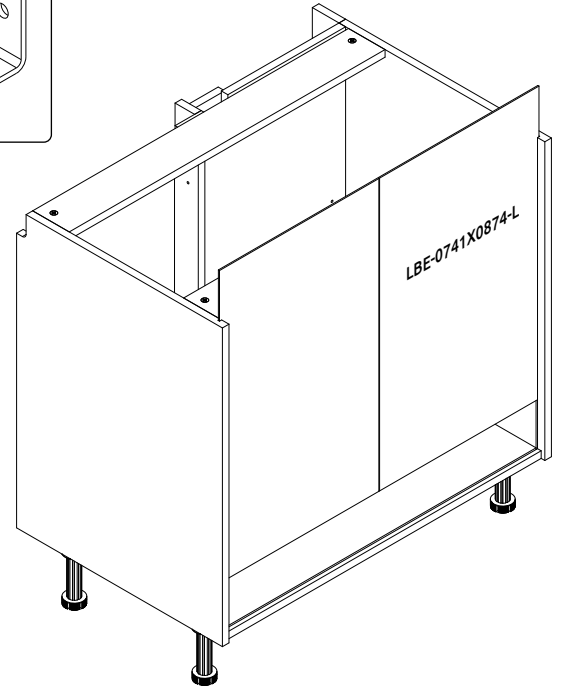


10

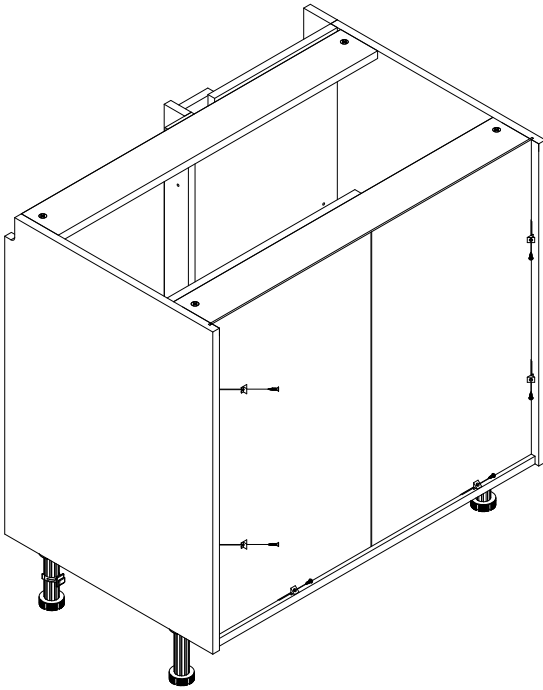
4758



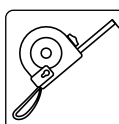
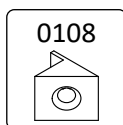
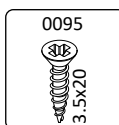
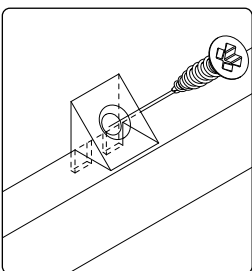
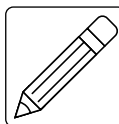
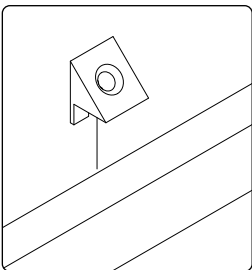
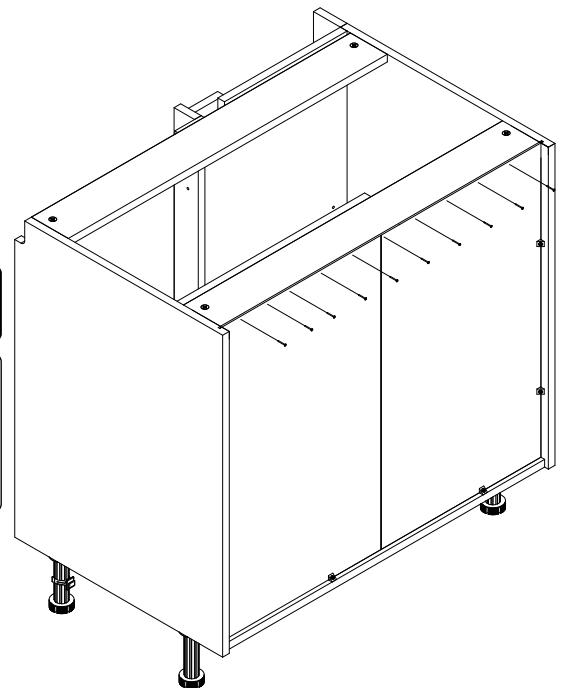
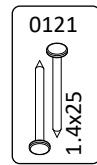
11



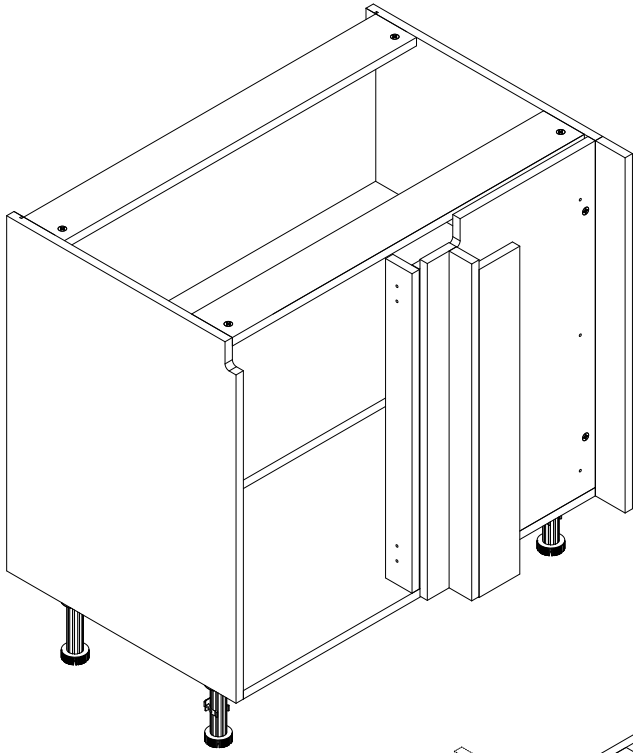
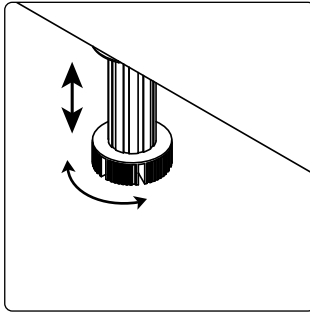
12



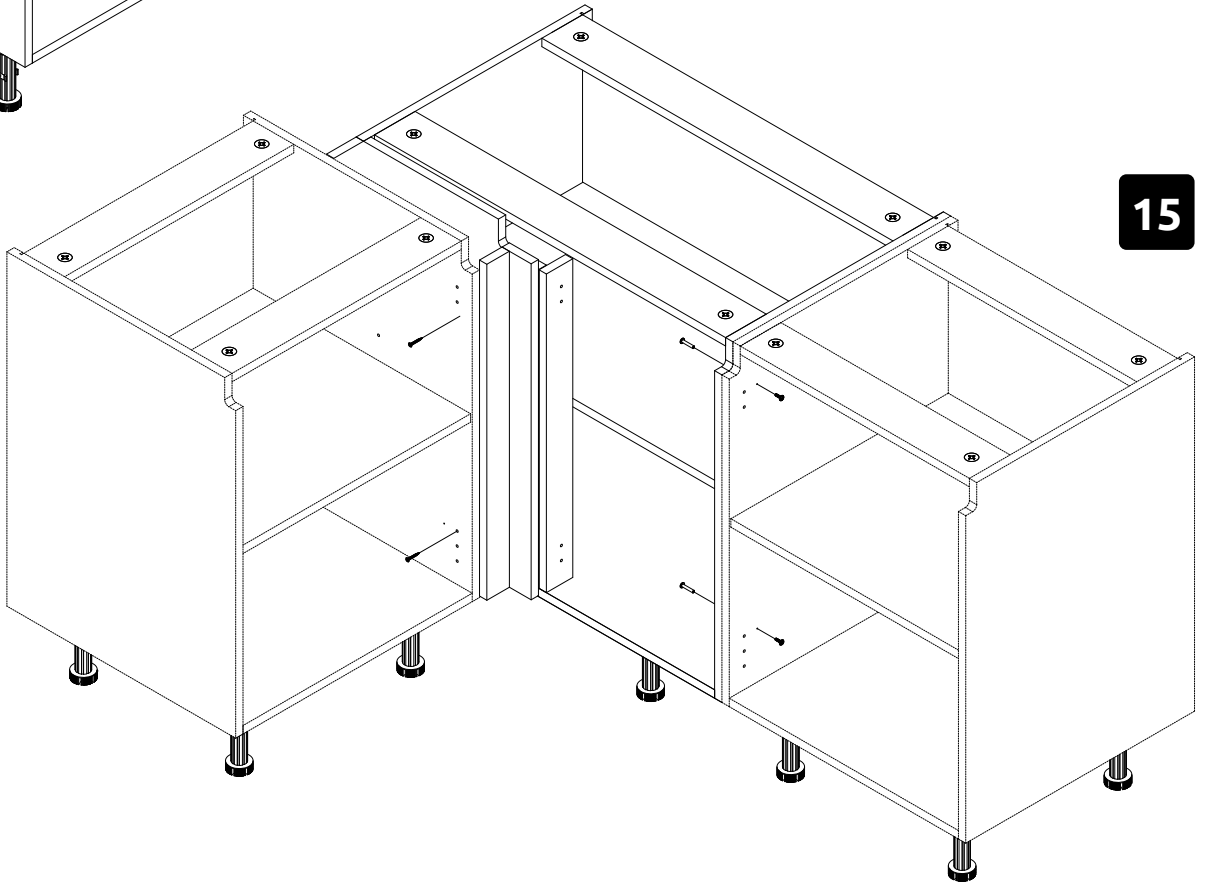
13



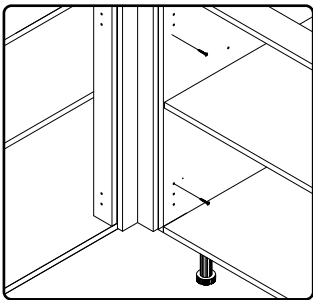
14



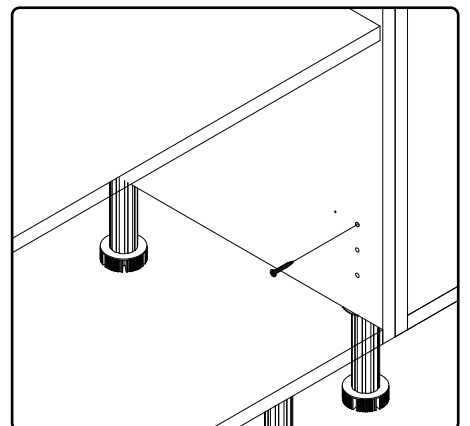
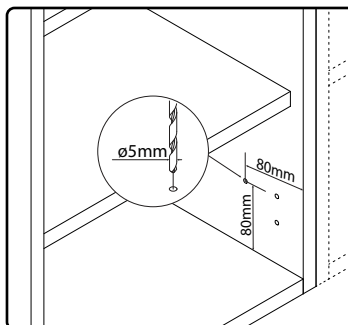
15



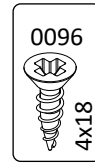
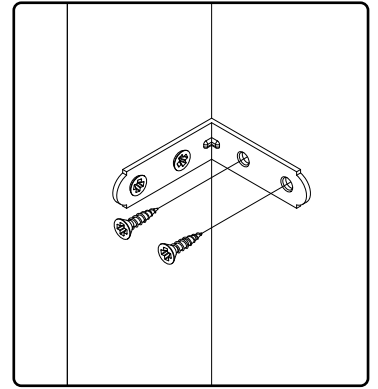
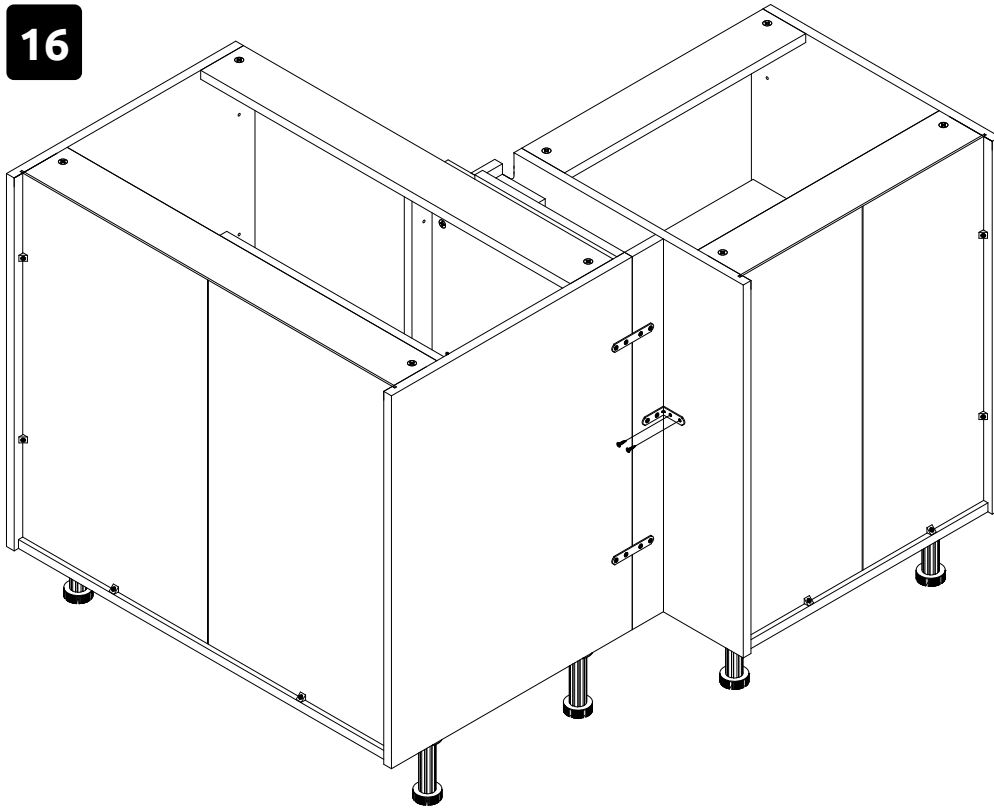
0099
4x30



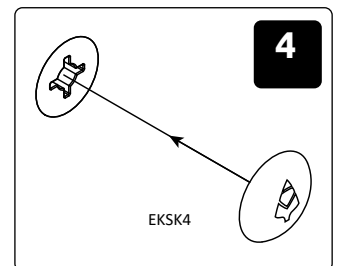
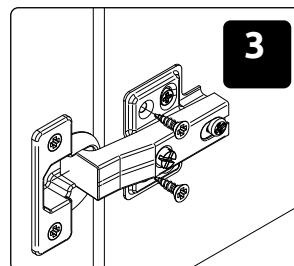
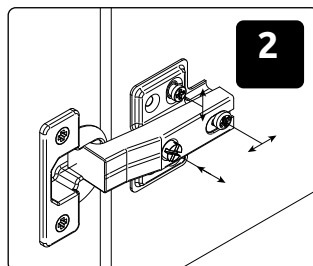
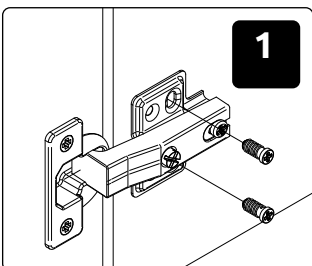
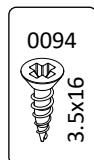
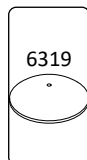
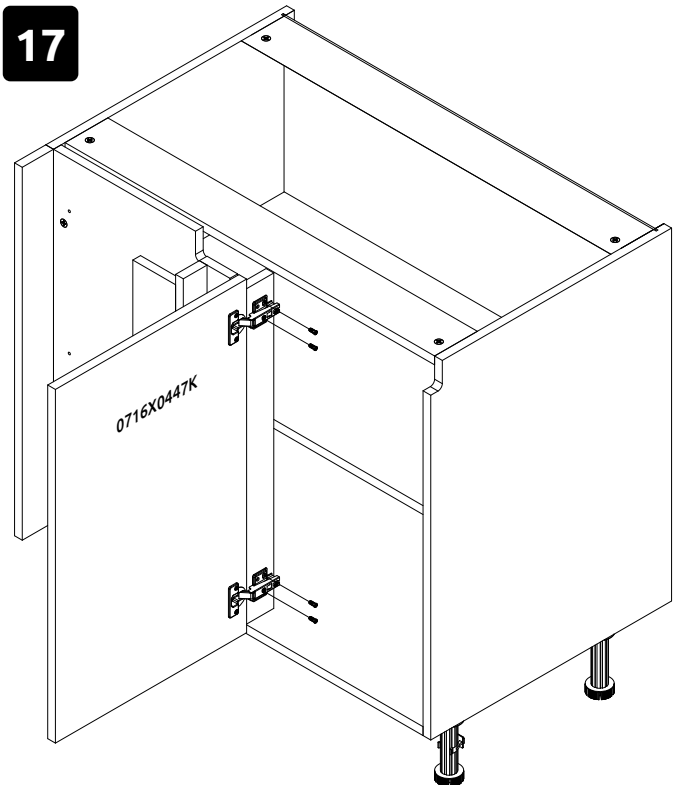
0093

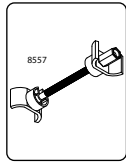
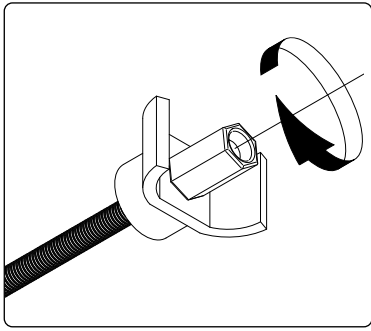


16

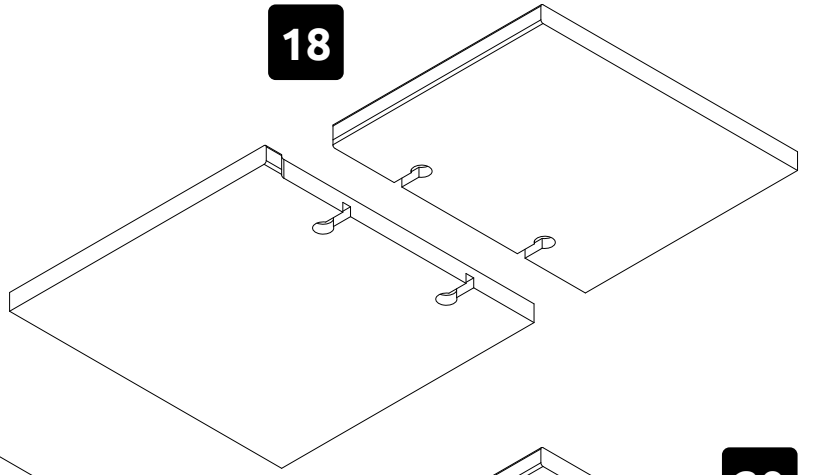


17

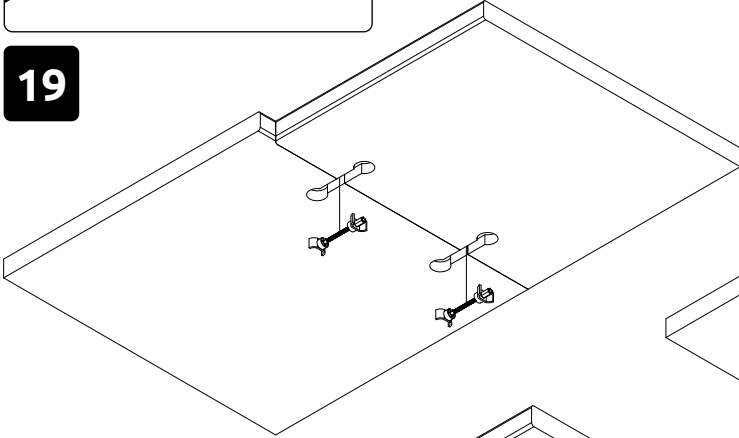




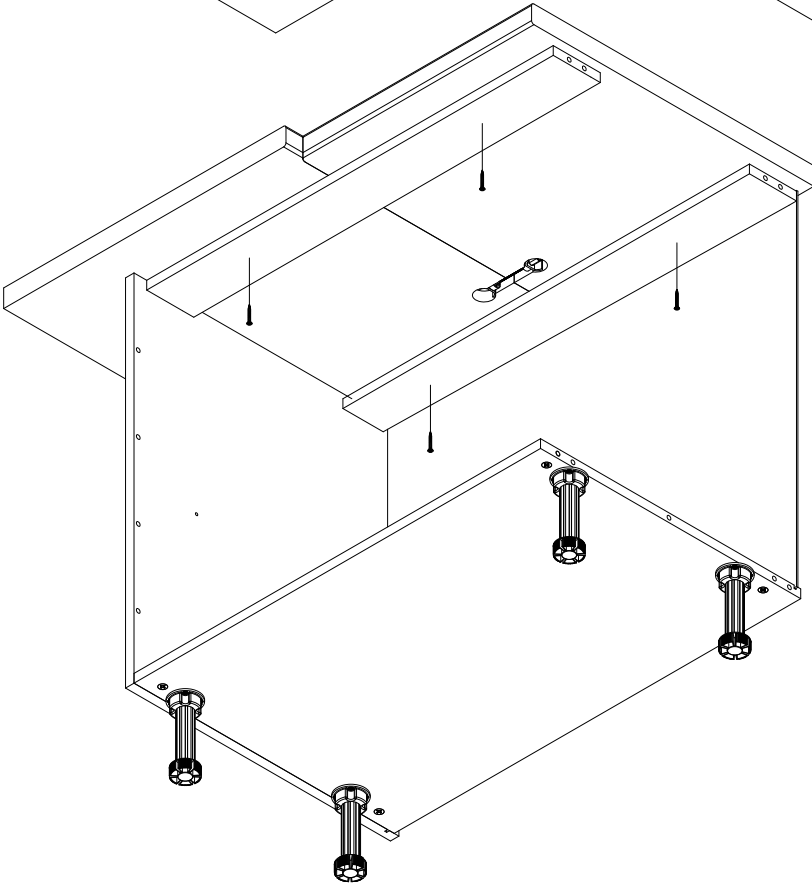
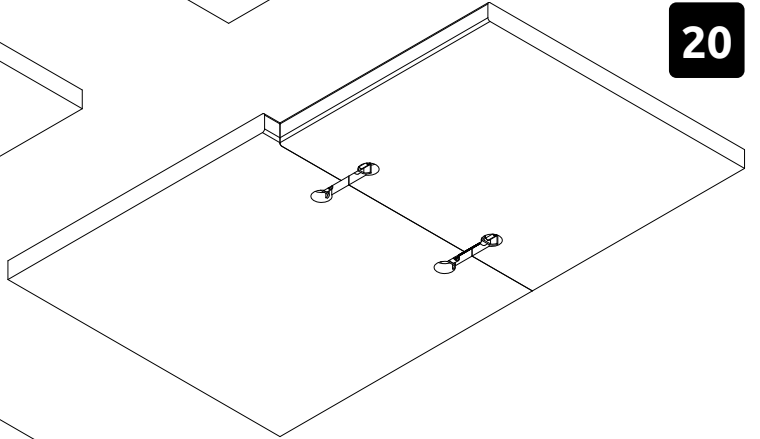
18



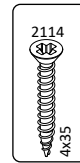
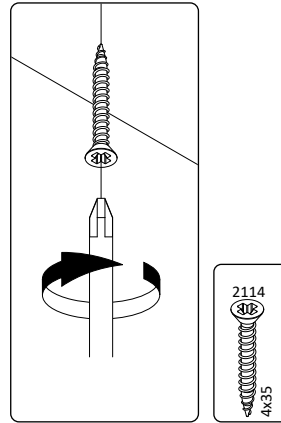
19



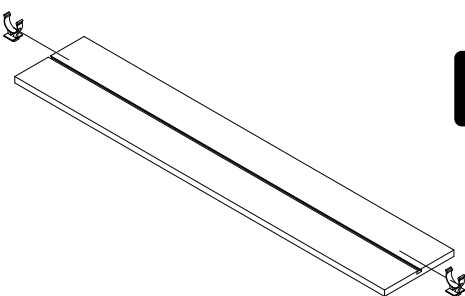
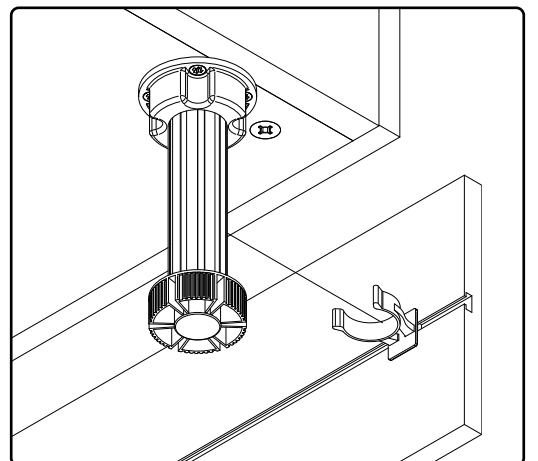
20



21



22



23

