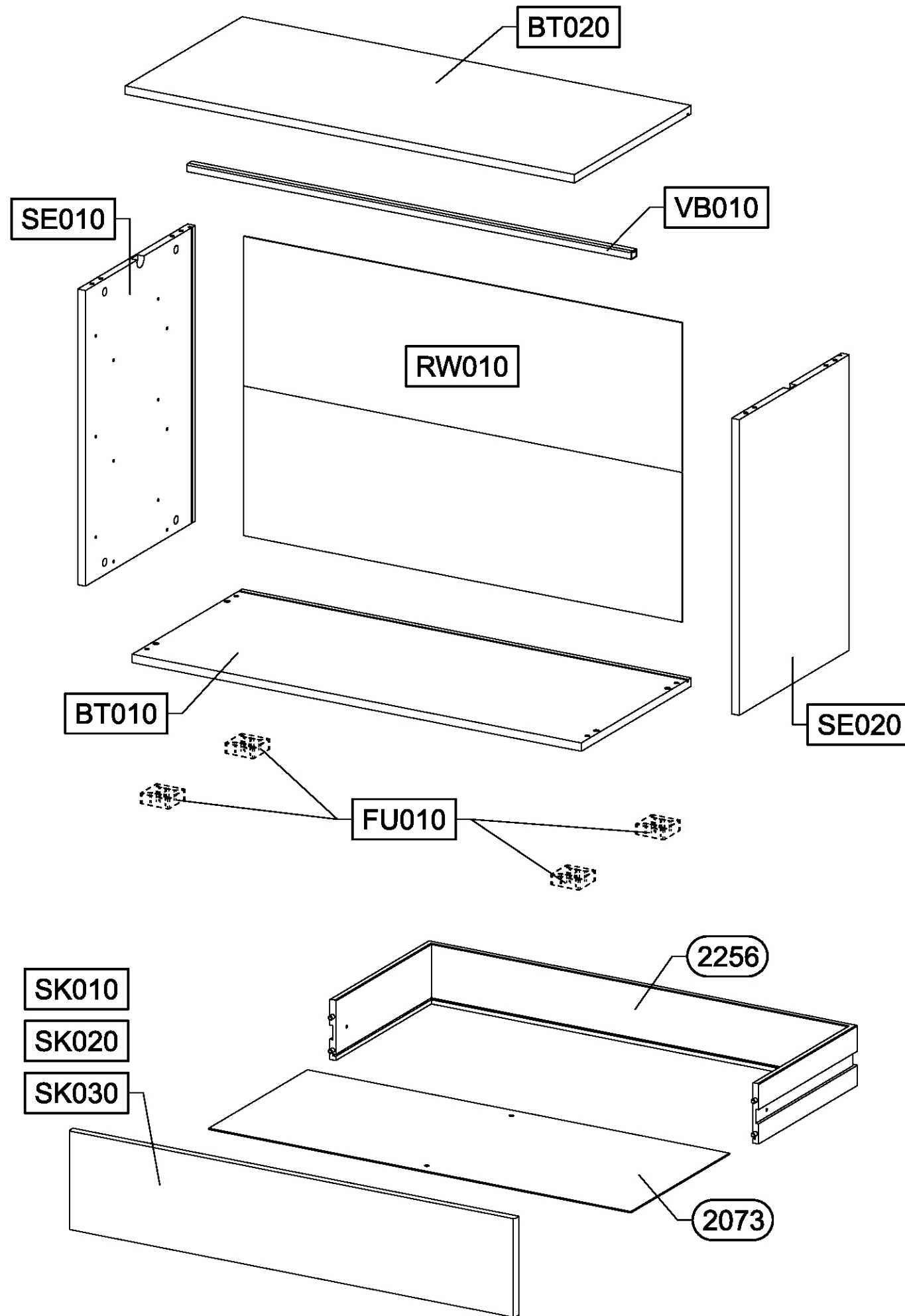
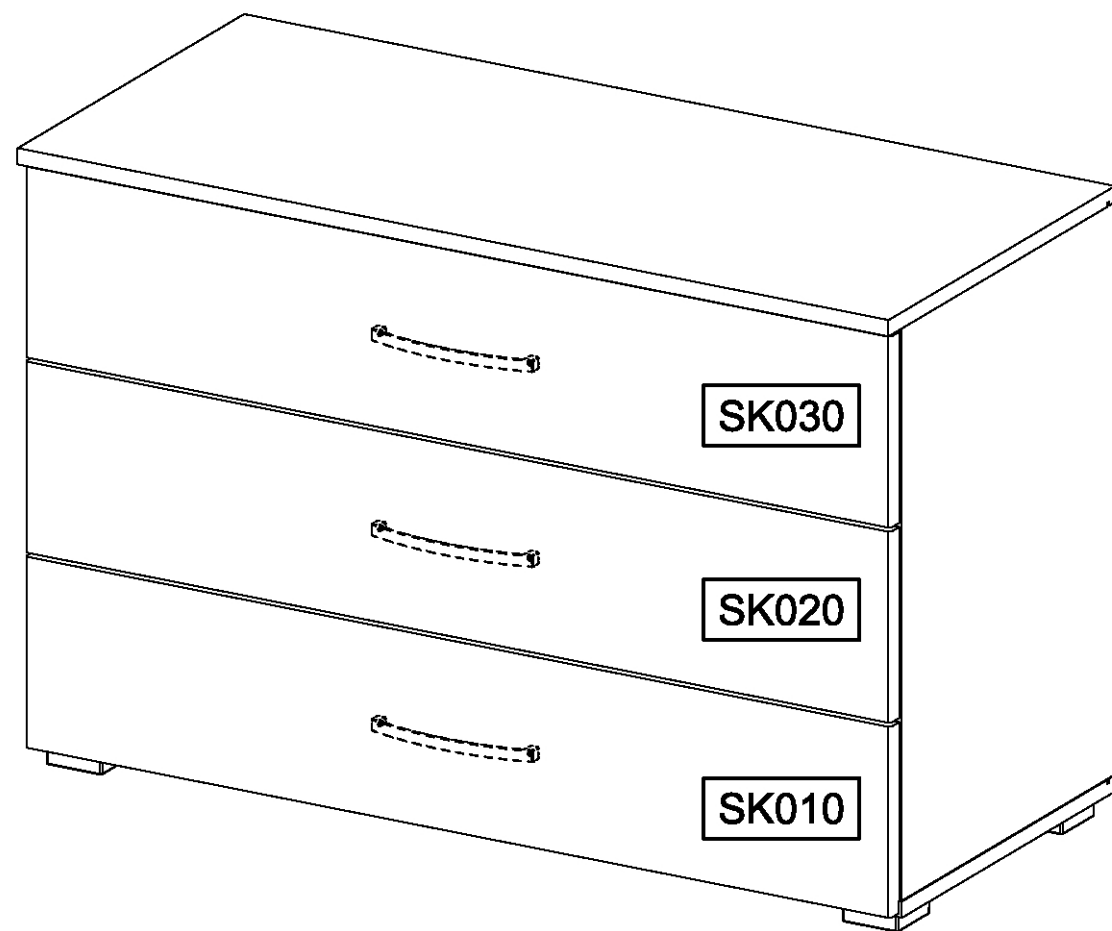
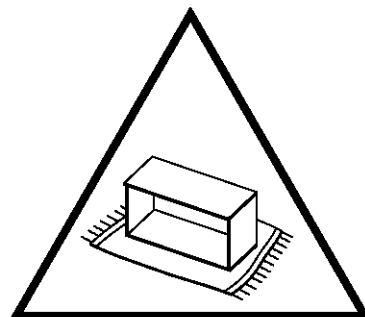
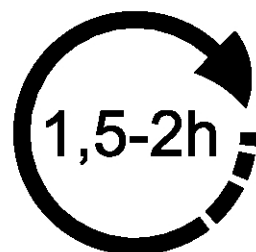
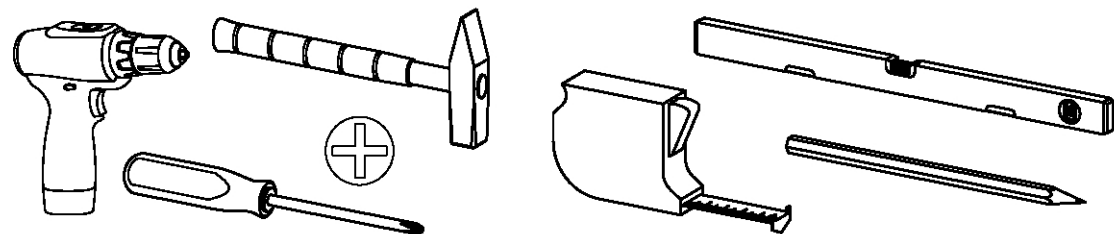
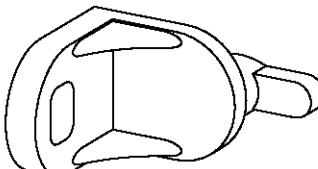
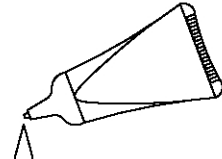

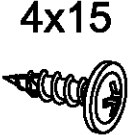

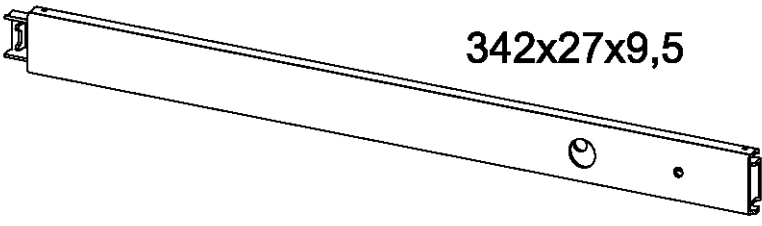
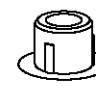

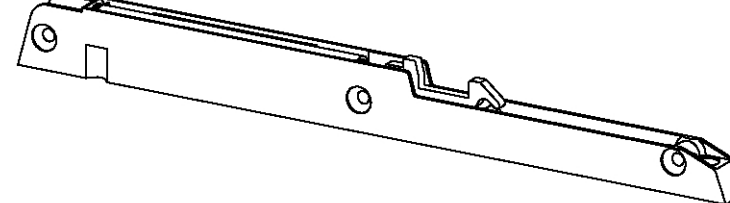

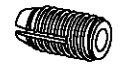
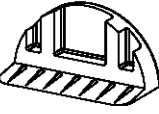
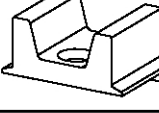
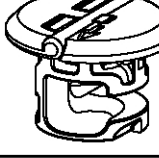

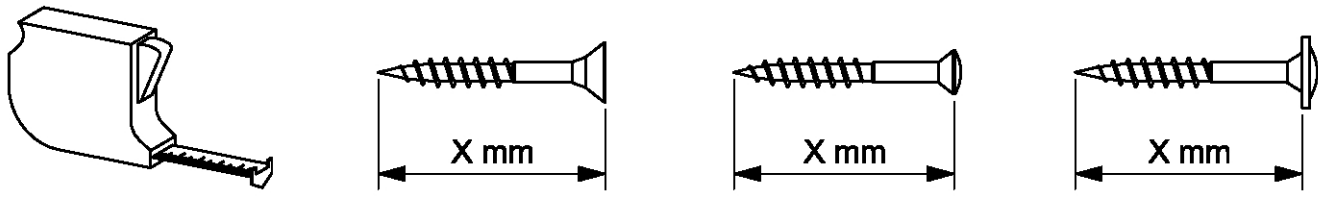
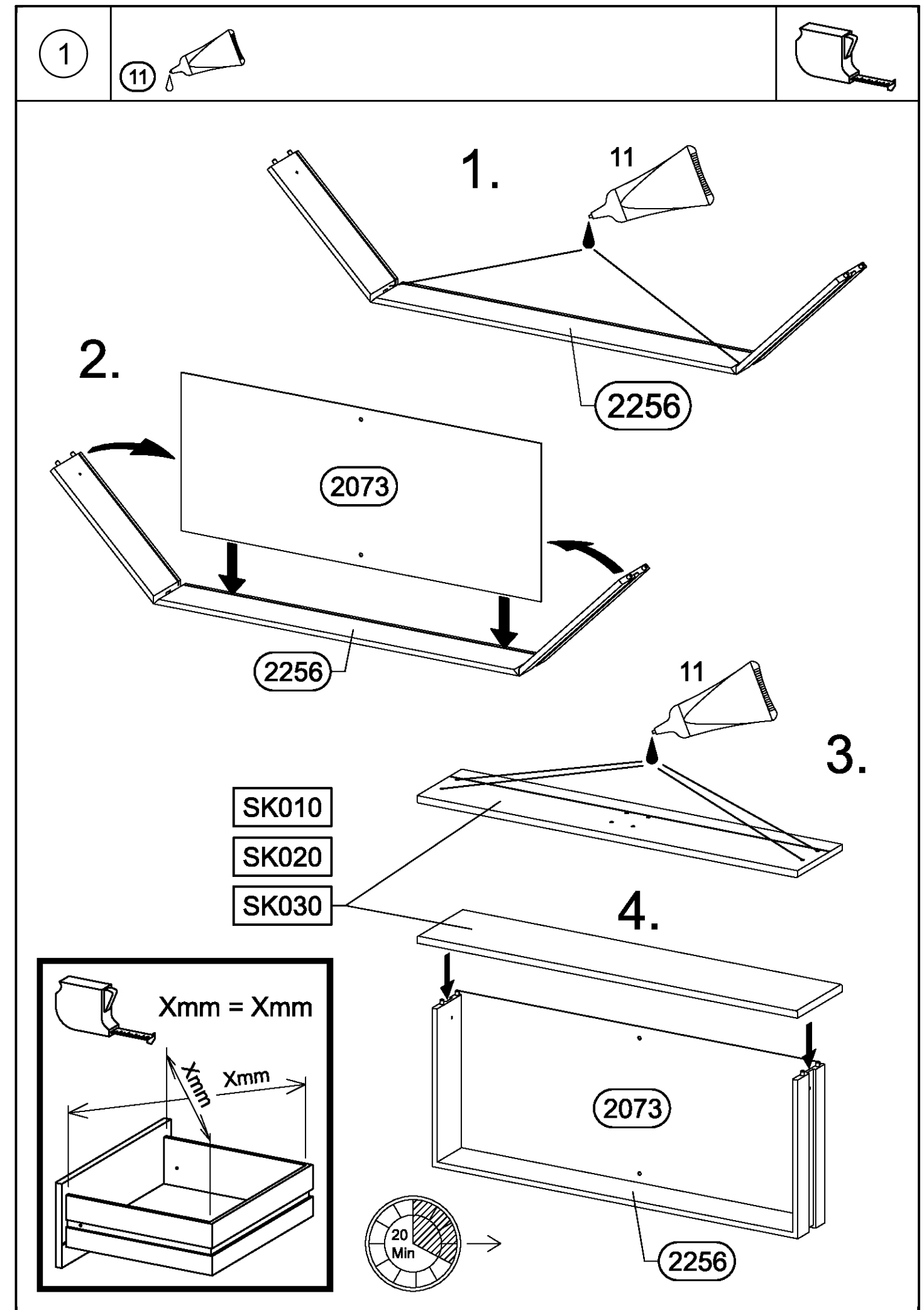


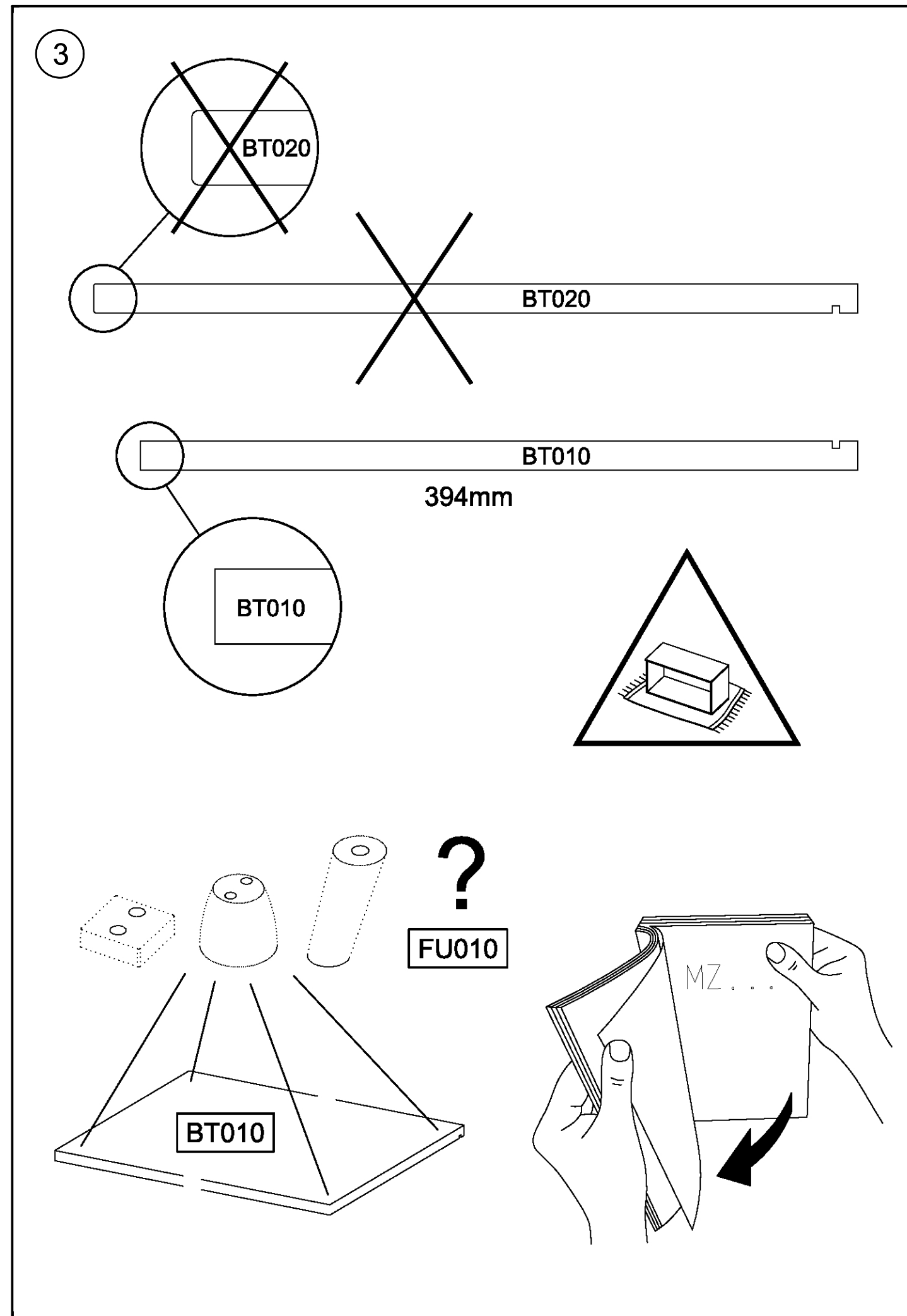
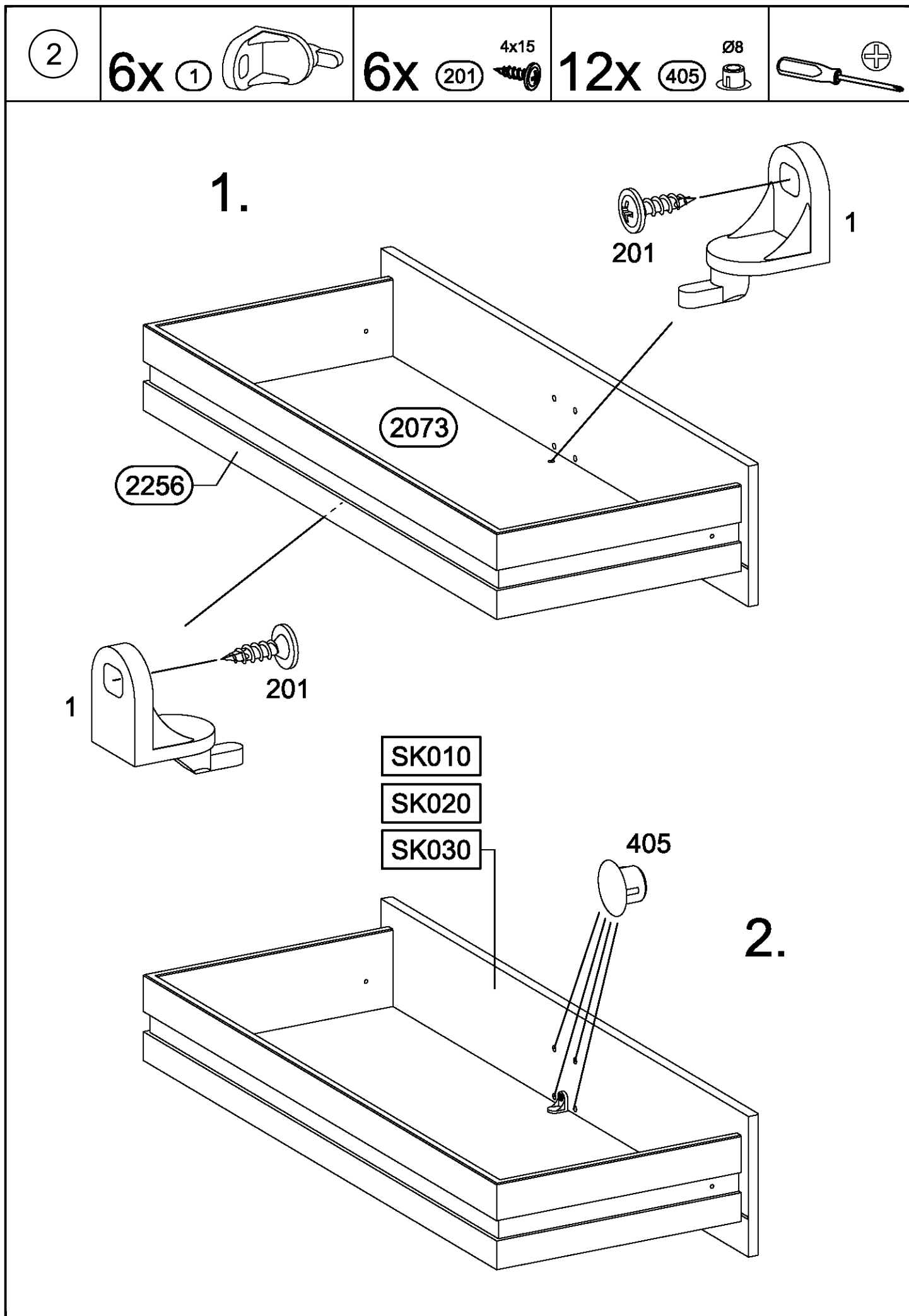
M2607_01

rauch



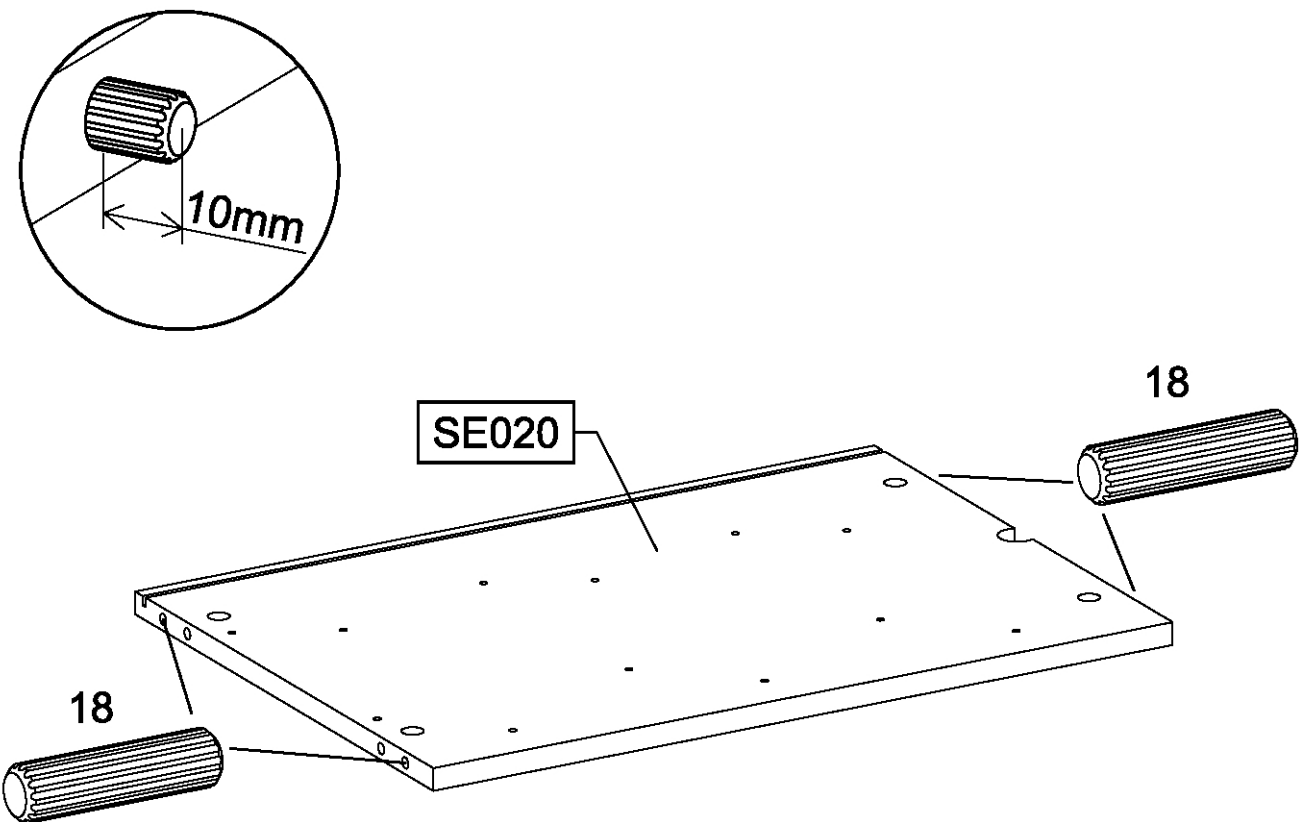
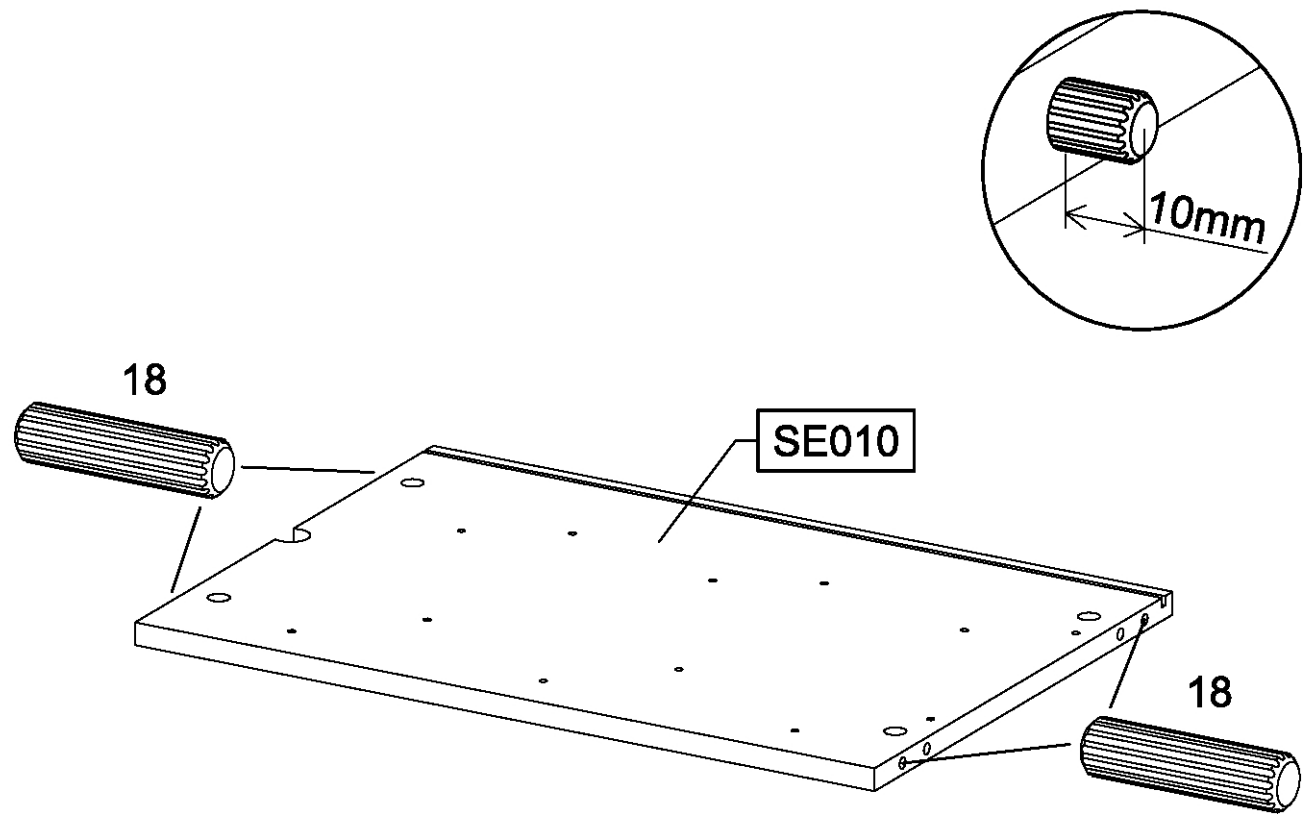
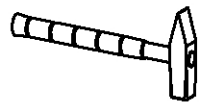
6x 1 	11 	8x 8x30 18 
6x 4x15 201 	12x 6x10,5 227 	
6x 259 	342x27x9,5	12x 405 Ø8 
6x 568 M4x9 	6x 1000 	
24x 1002 3,5x20 	12x 1003 6x12 	4x 1090 
6x 1187 	8x 1188 	8x 1189 
		





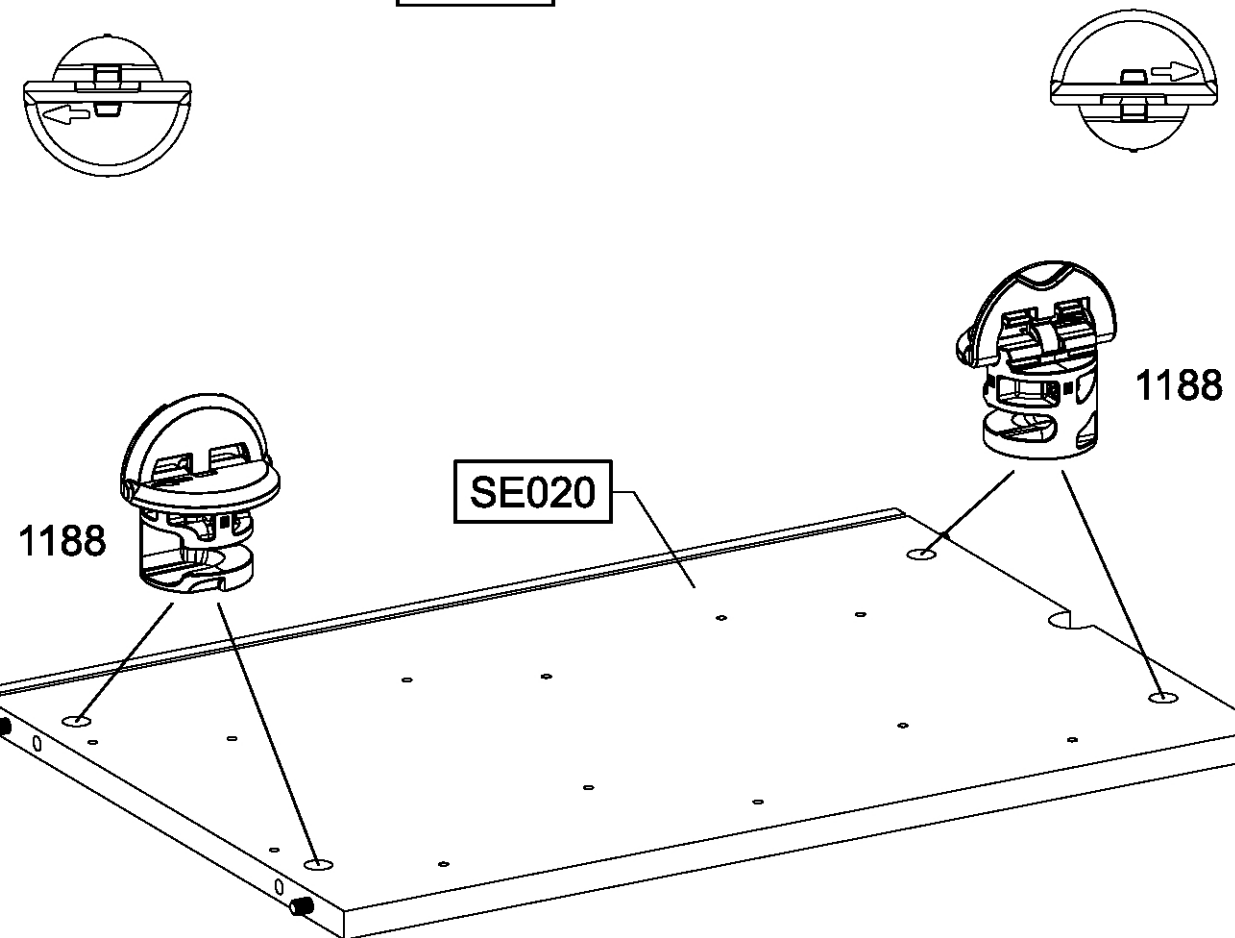
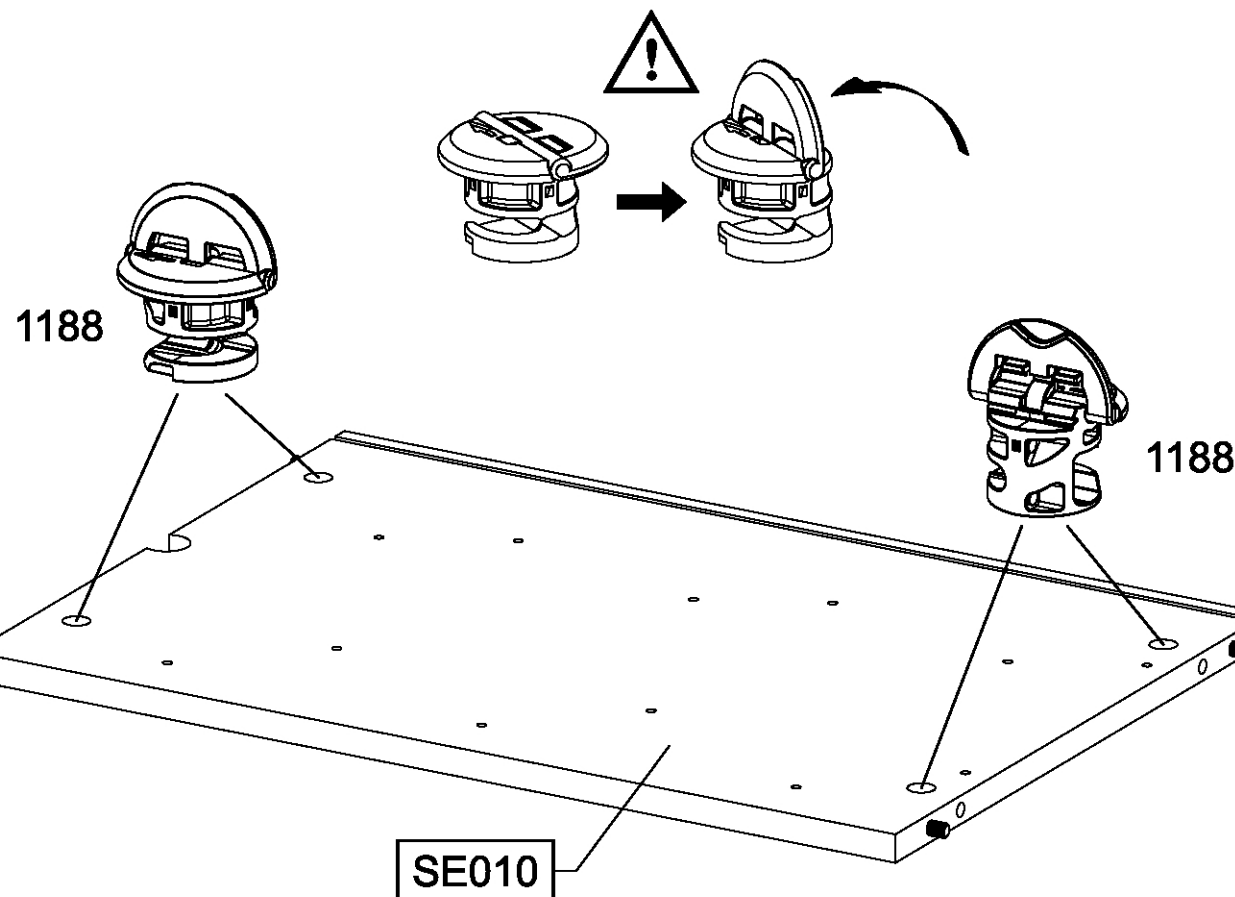
4

8x 18 8x30



5

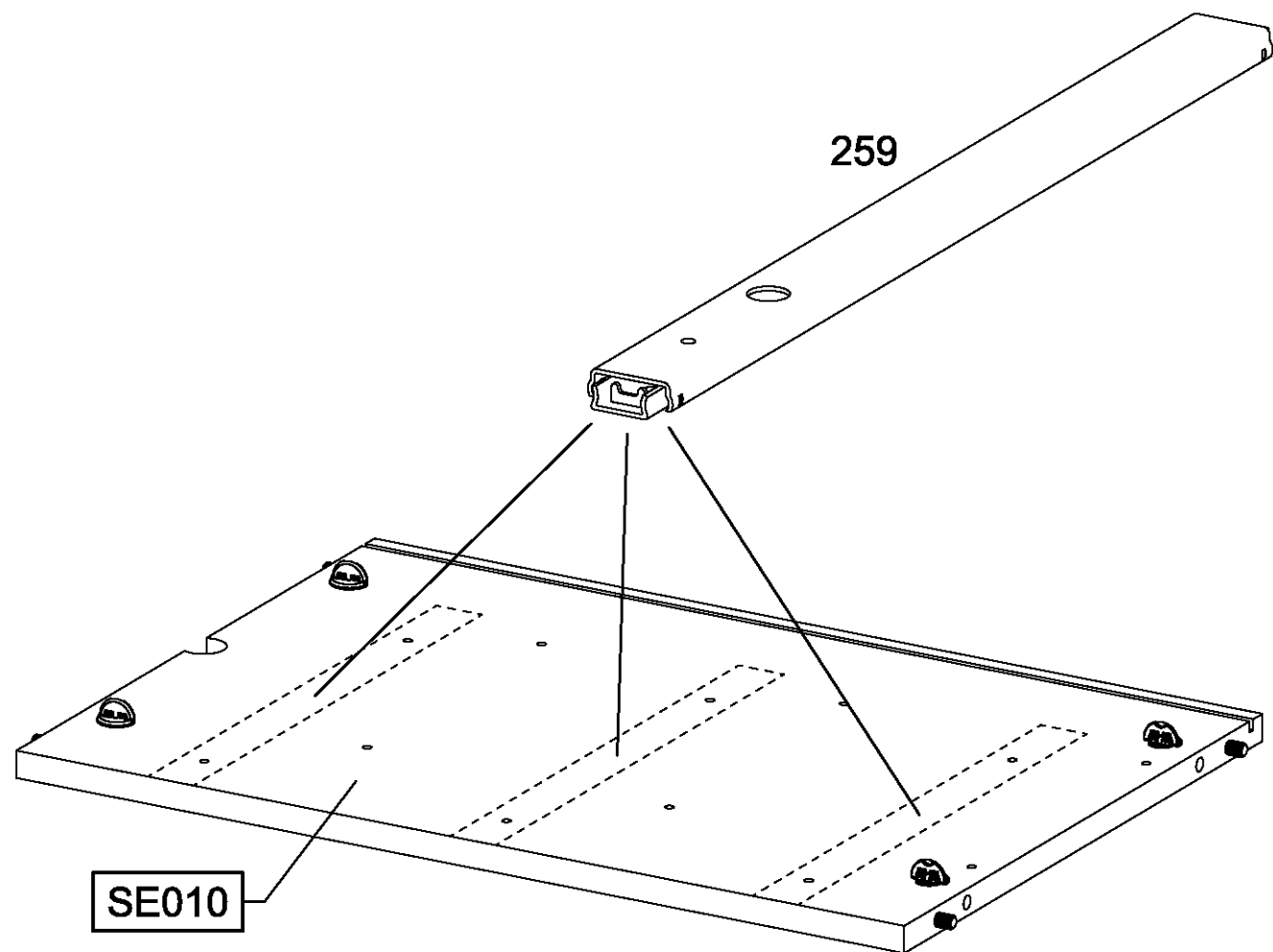
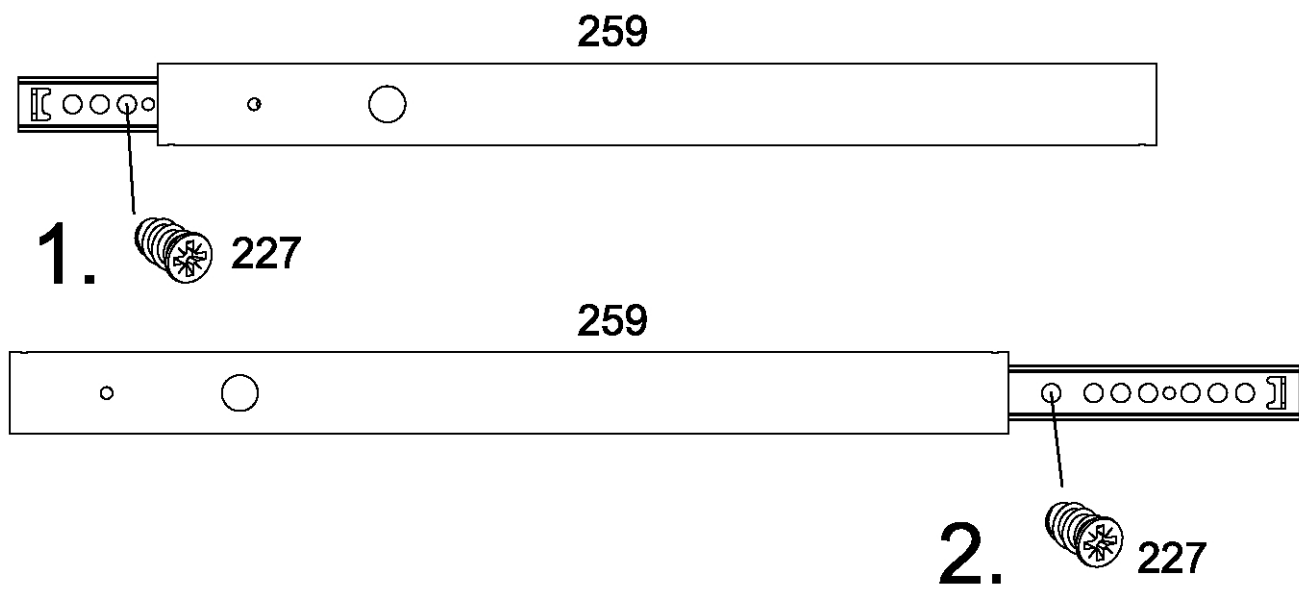
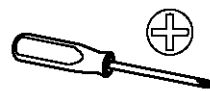
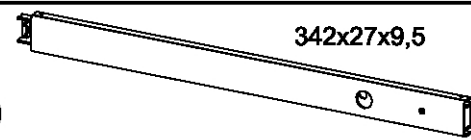
8x 1188



6

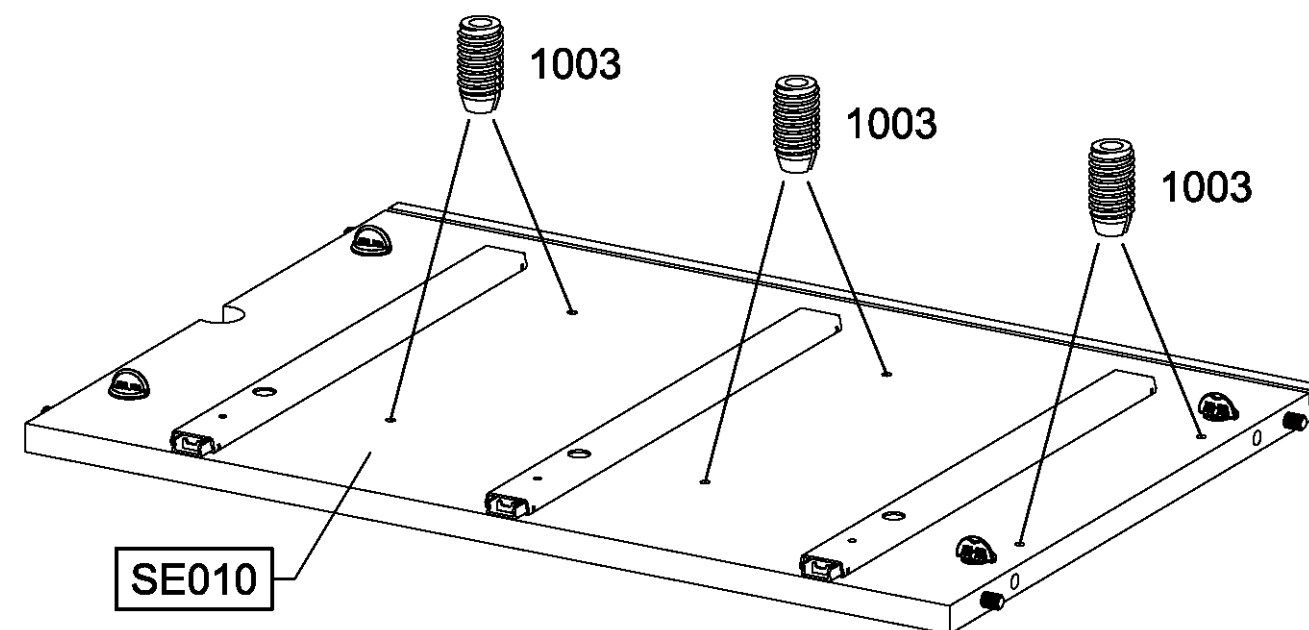
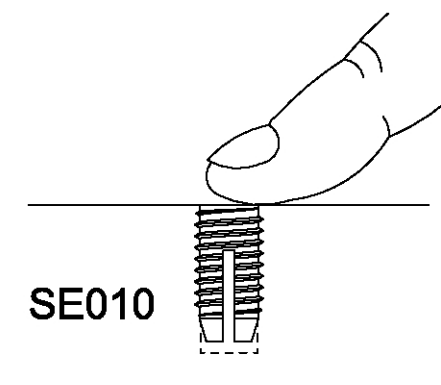
6x 227 6x10,5

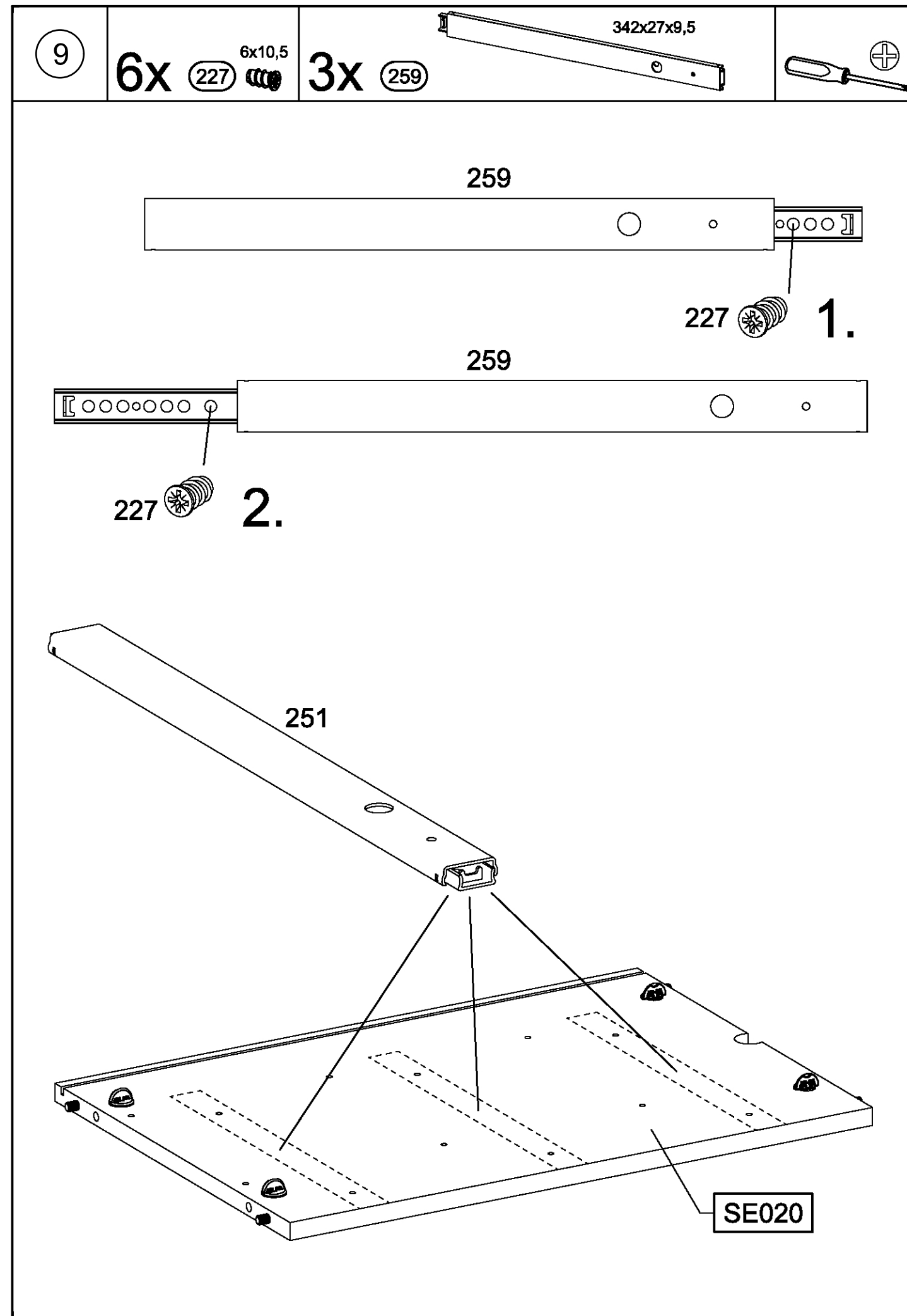
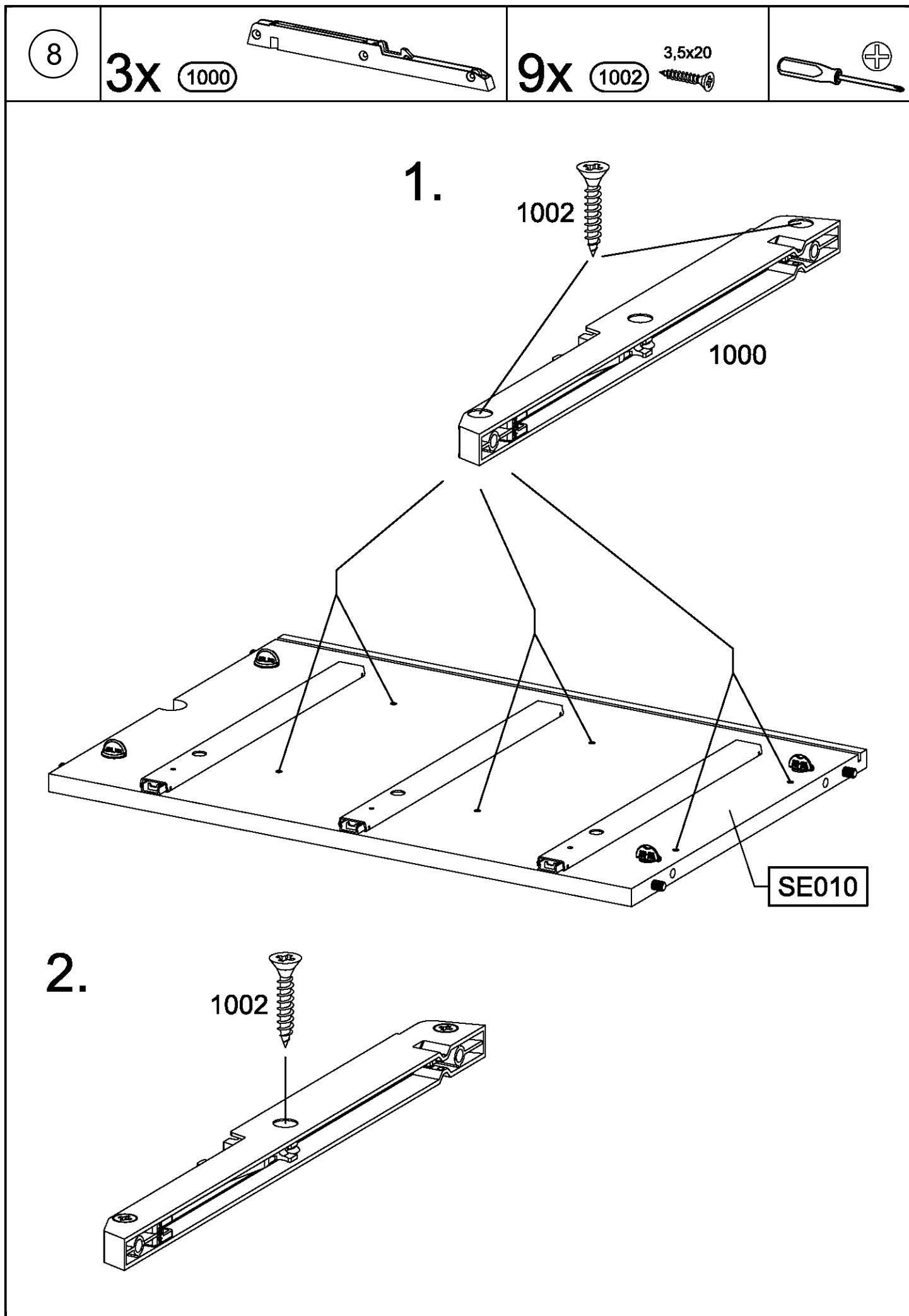
3x 259



7

6x 1003 6x12



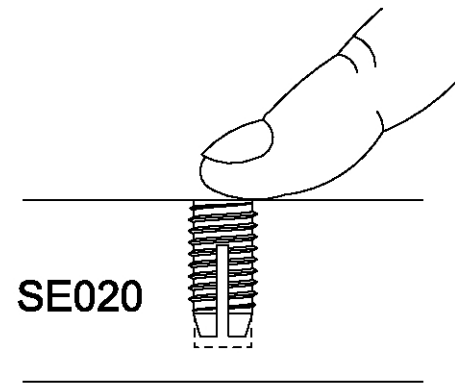
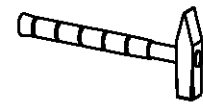


10

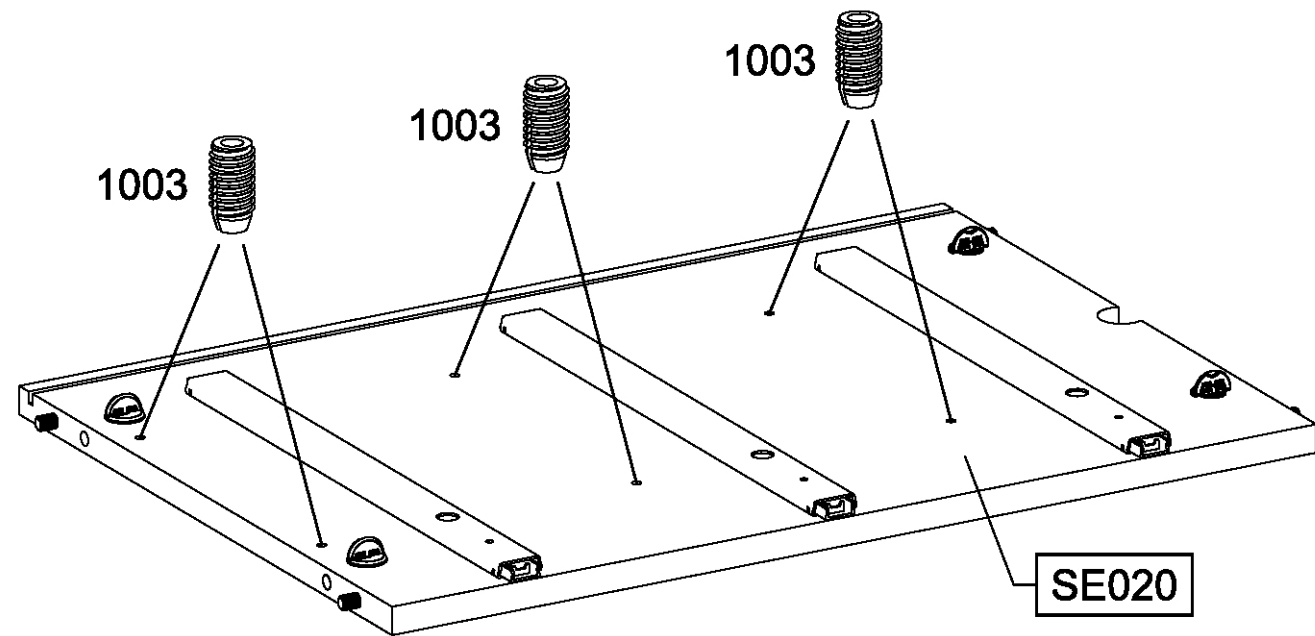
6x

1003

6x12



SE020

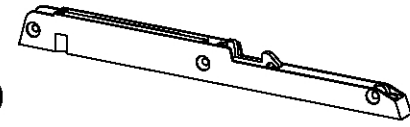


SE020

11

3x

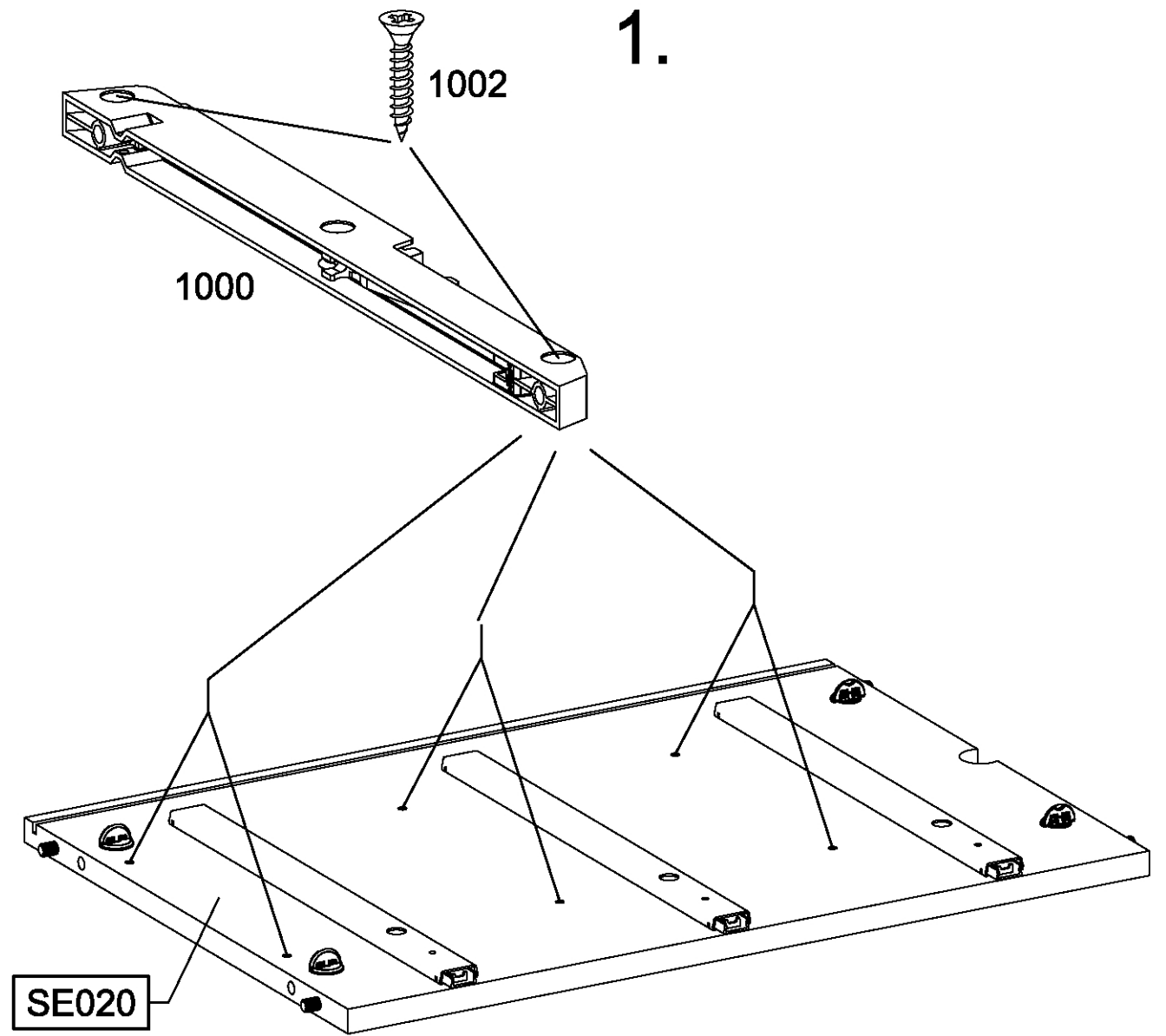
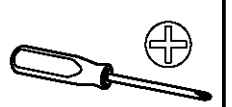
1000



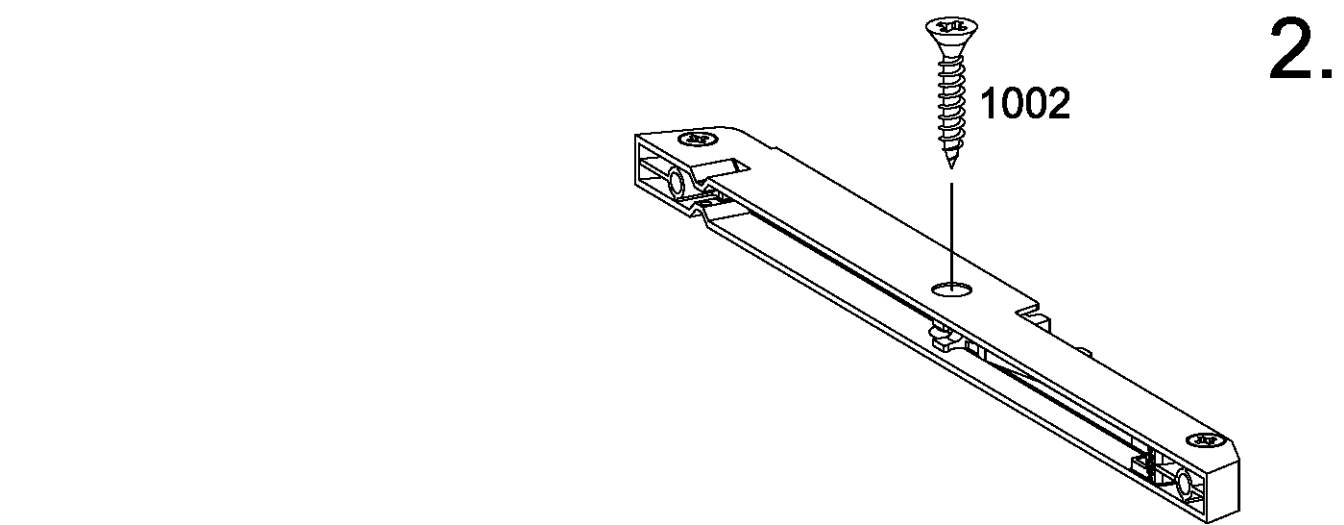
9x

1002

3,5x20



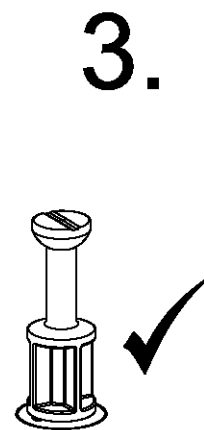
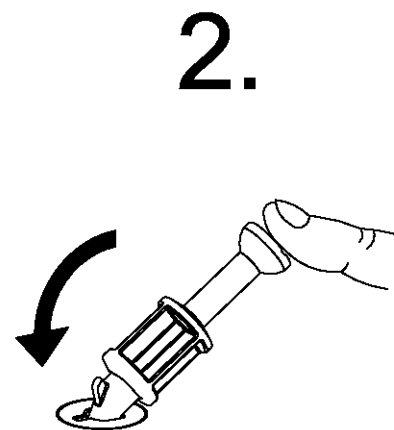
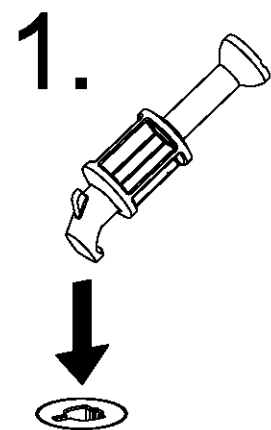
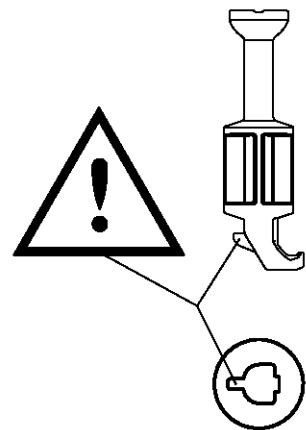
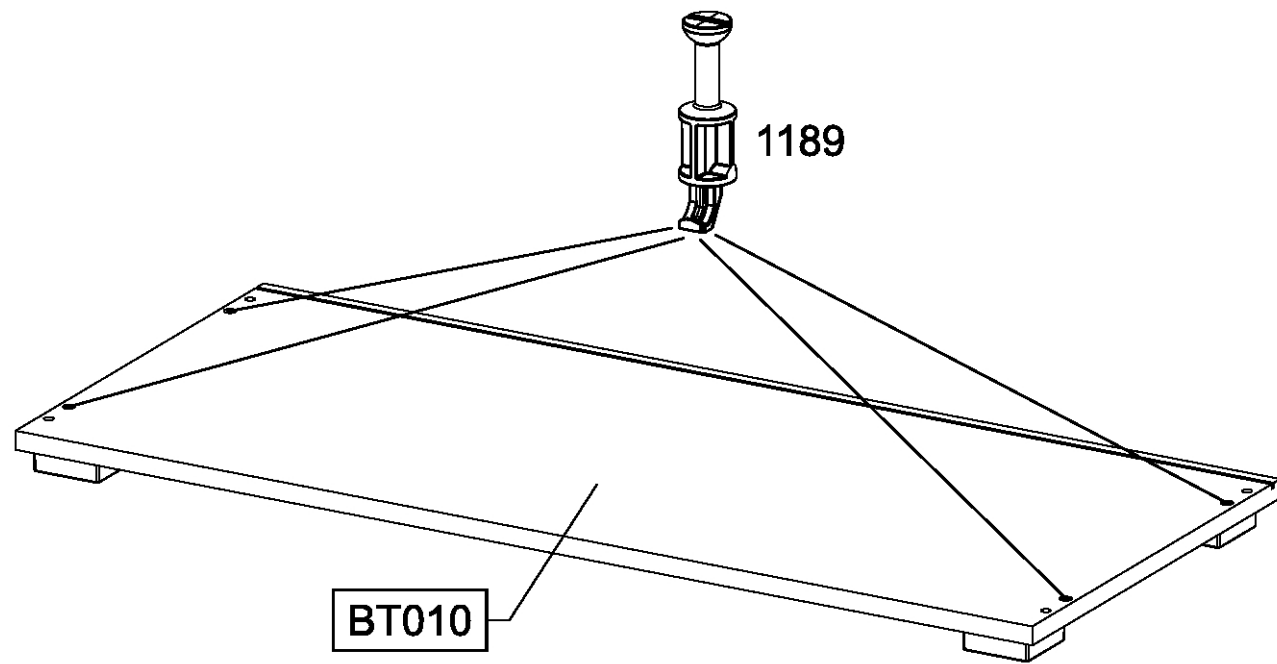
1.



2.

12

4x 1189

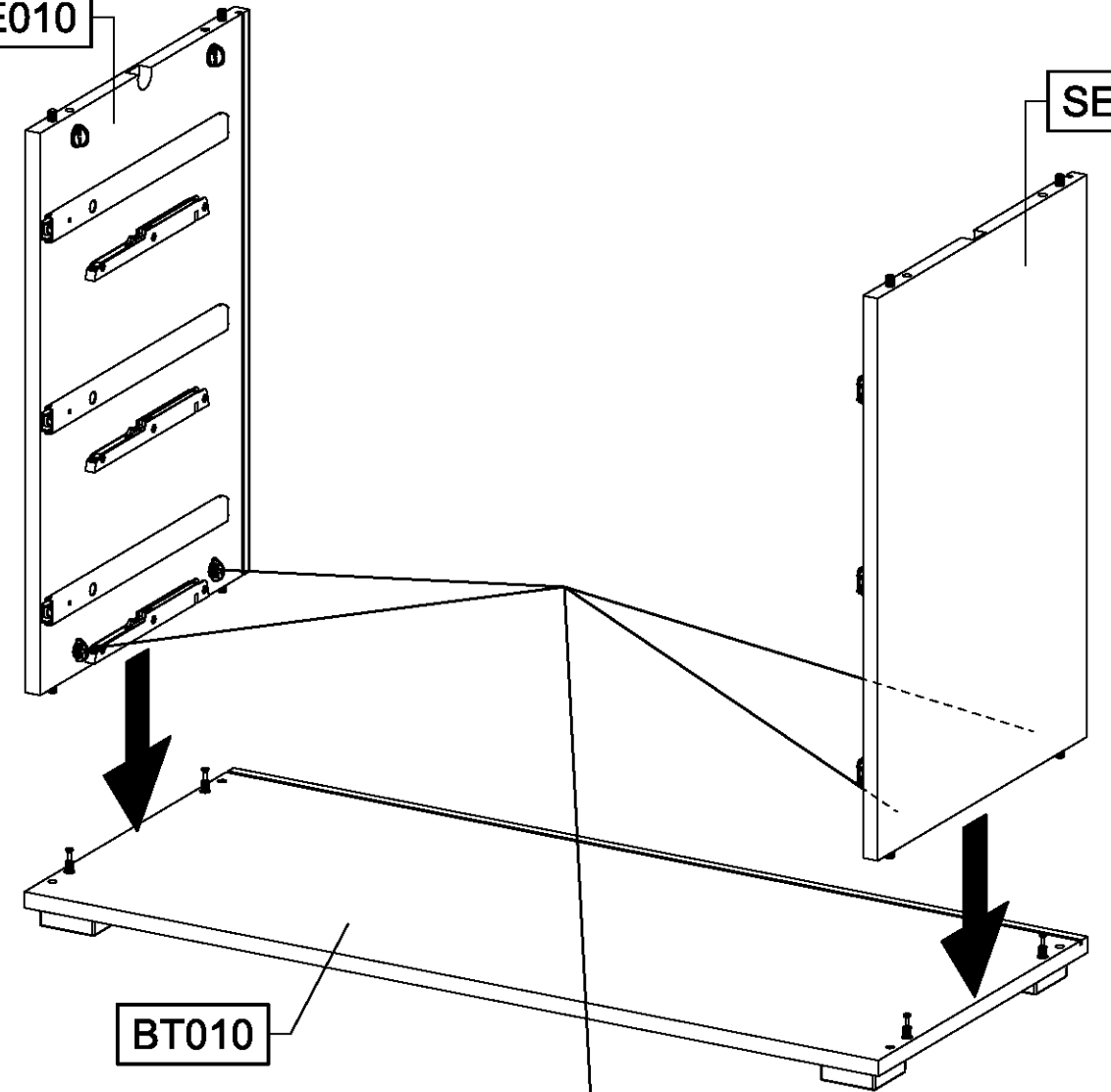


13

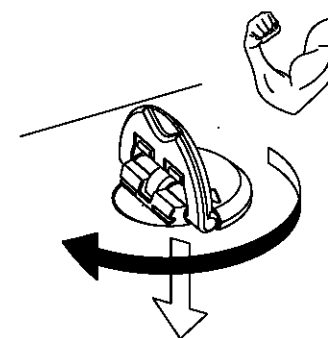


SE010

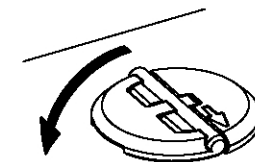
SE020



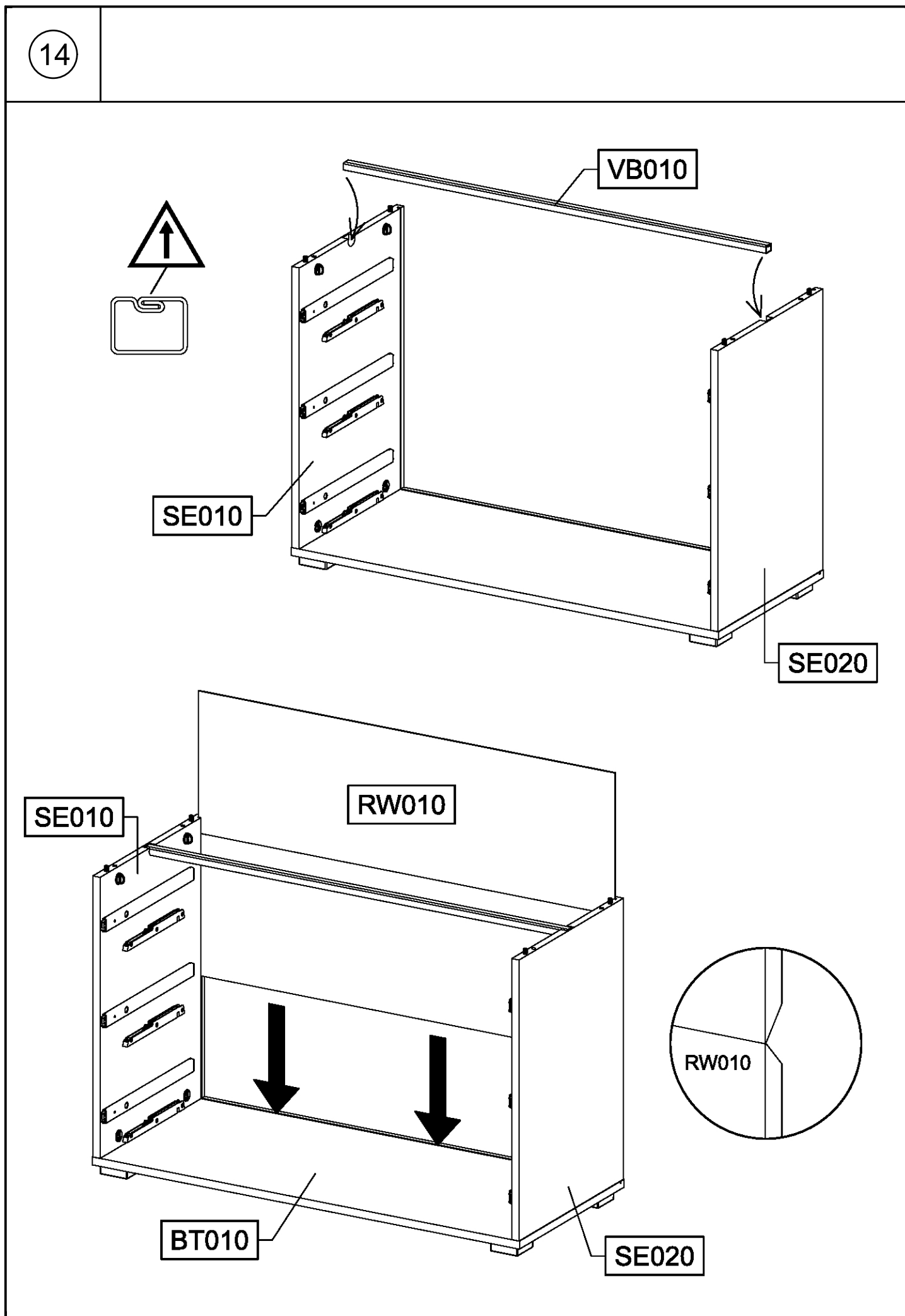
1.



2.

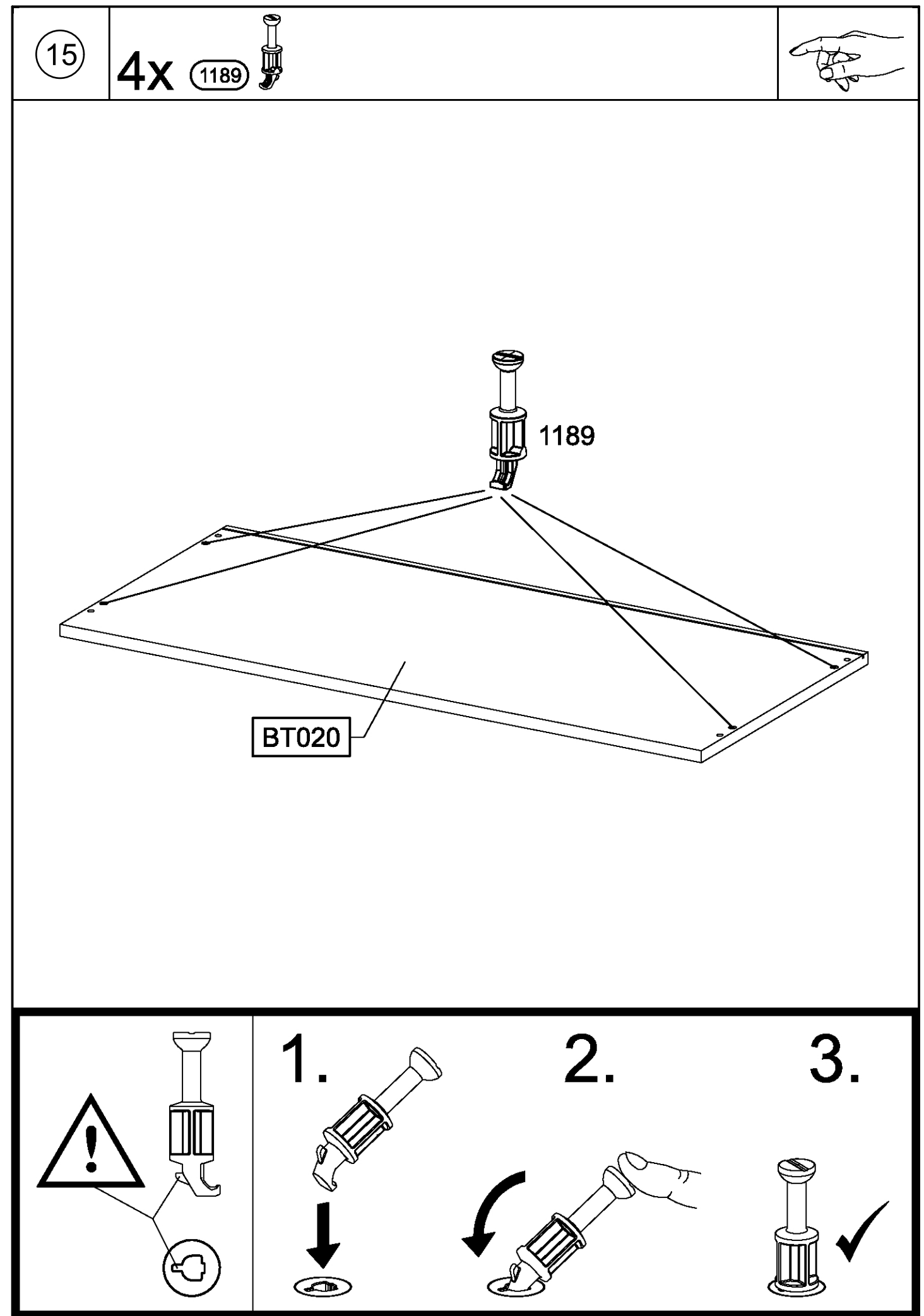


14

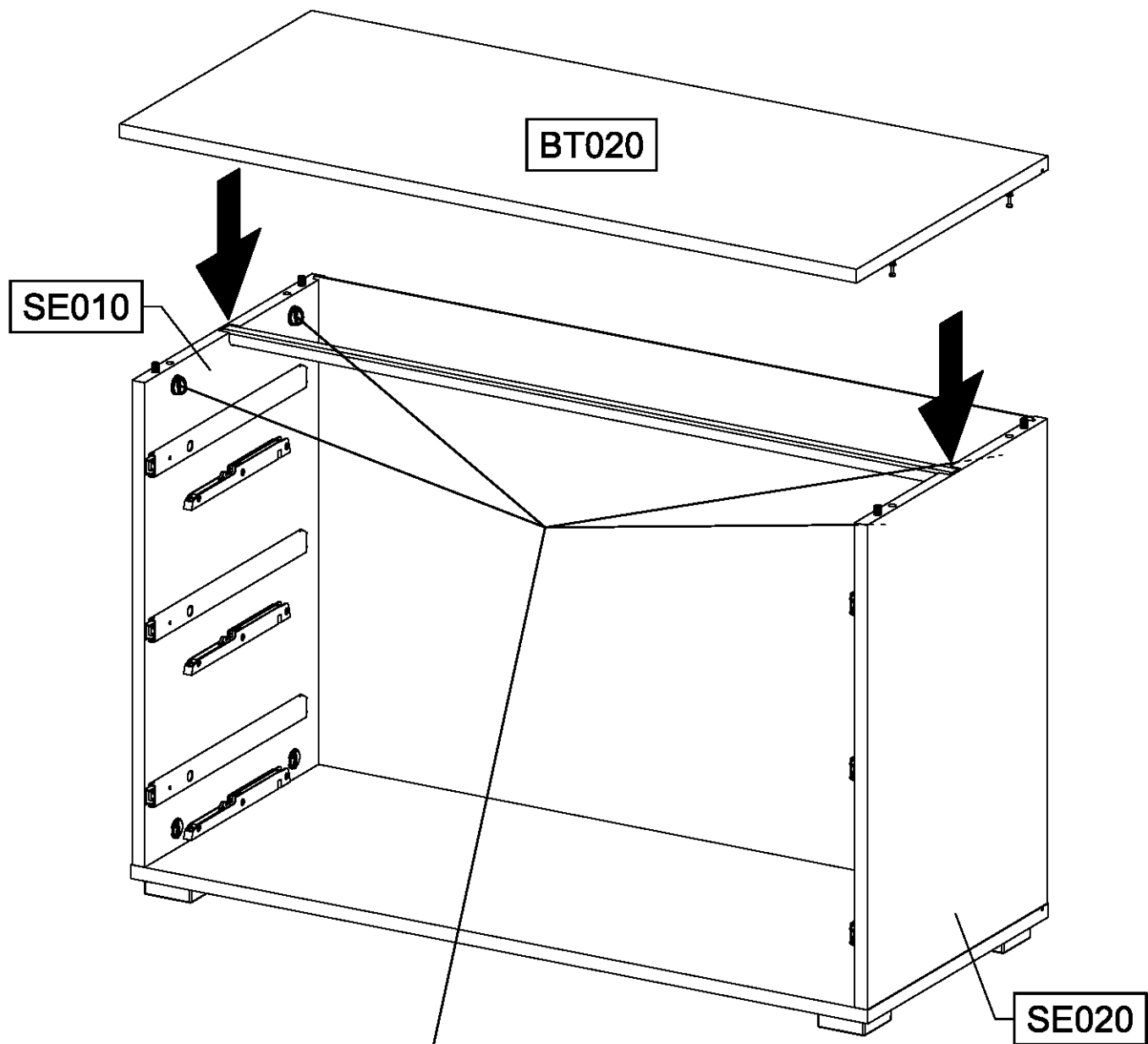


15

4x 1189

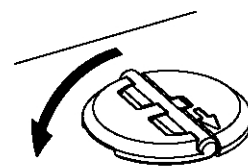
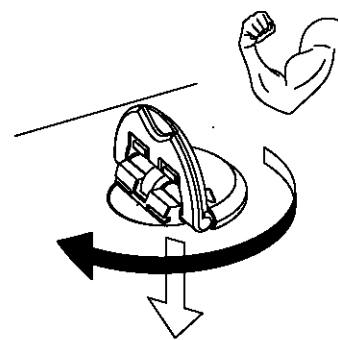


16



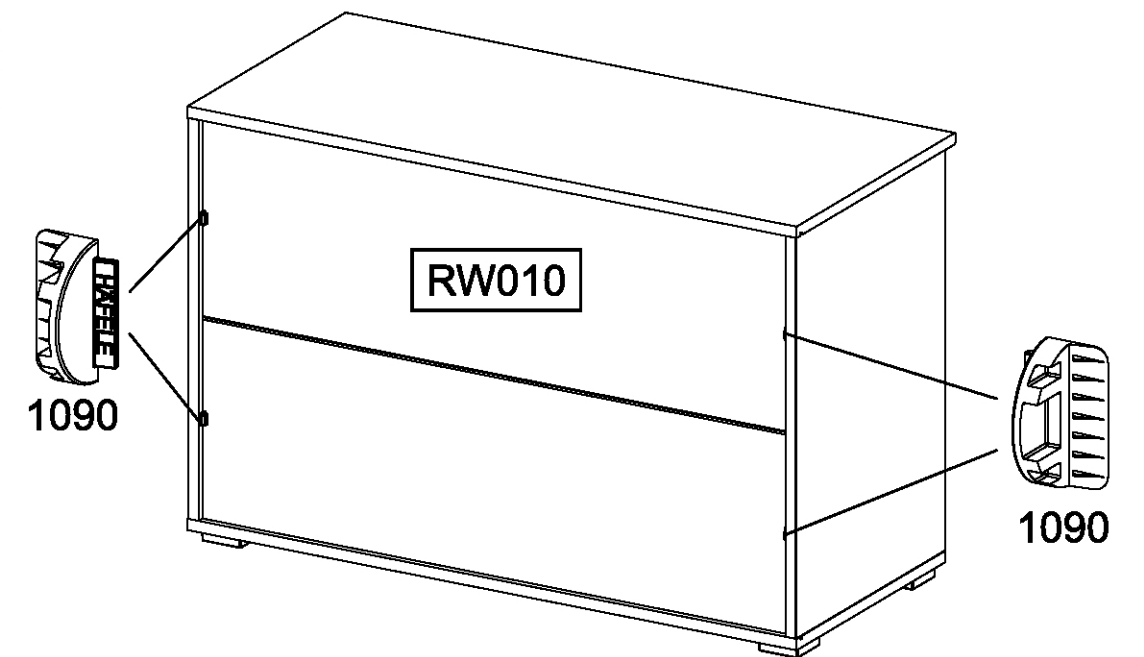
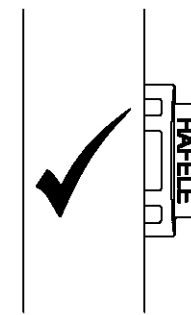
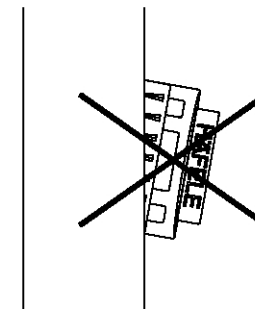
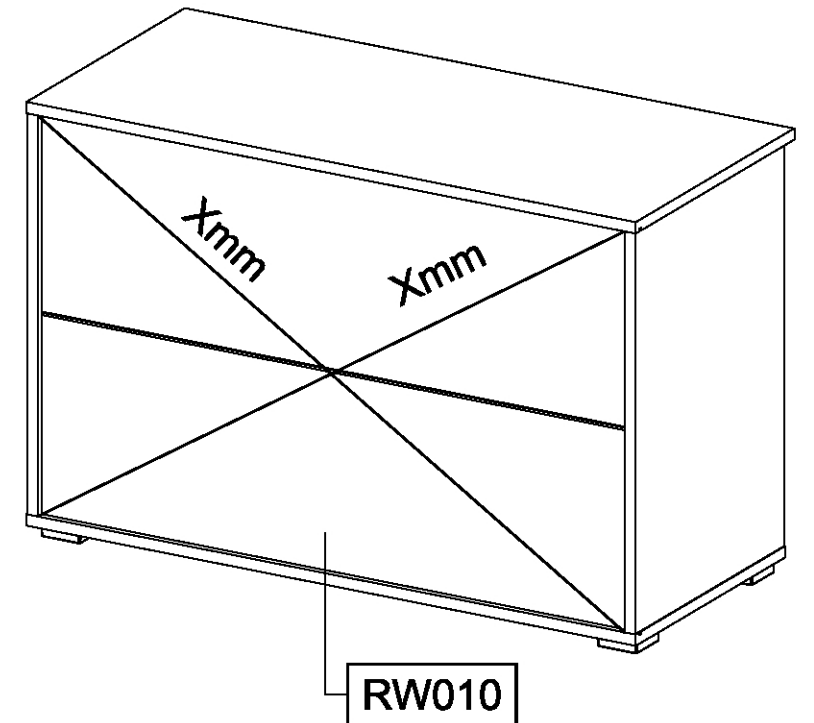
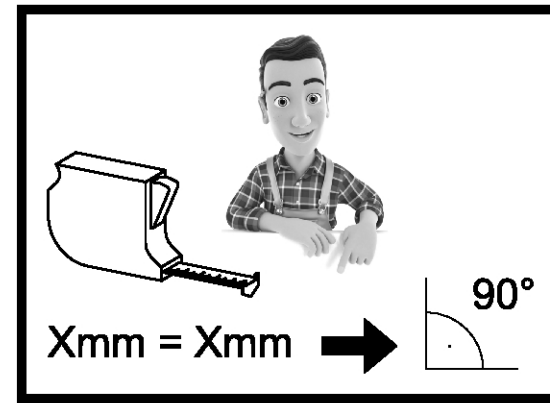
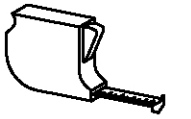
1.

2.



17

4x 1090



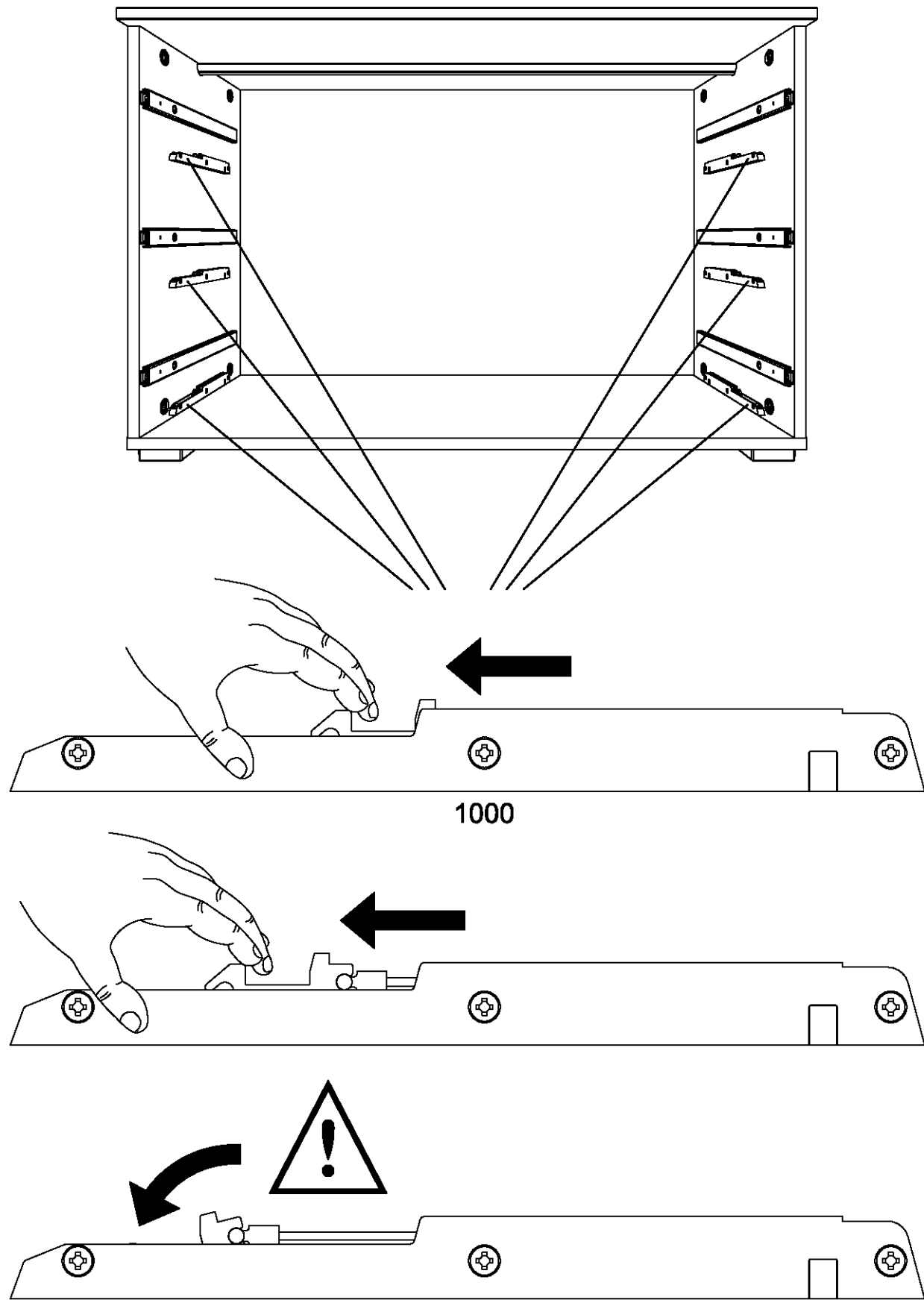
SE010
SE020

RW010

1090

1090

18



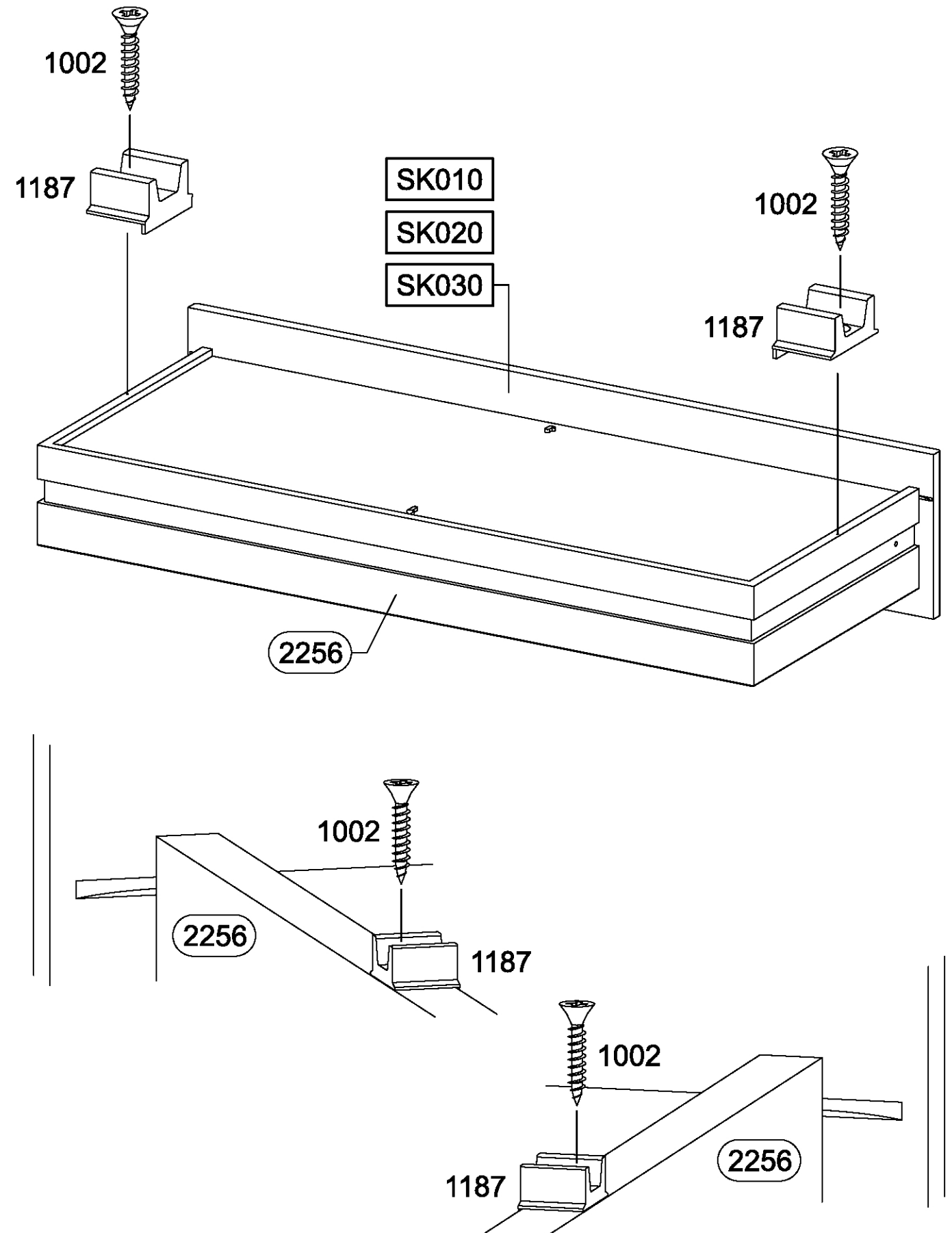
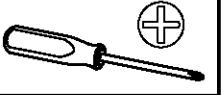
19

6x



3,5x20

6x

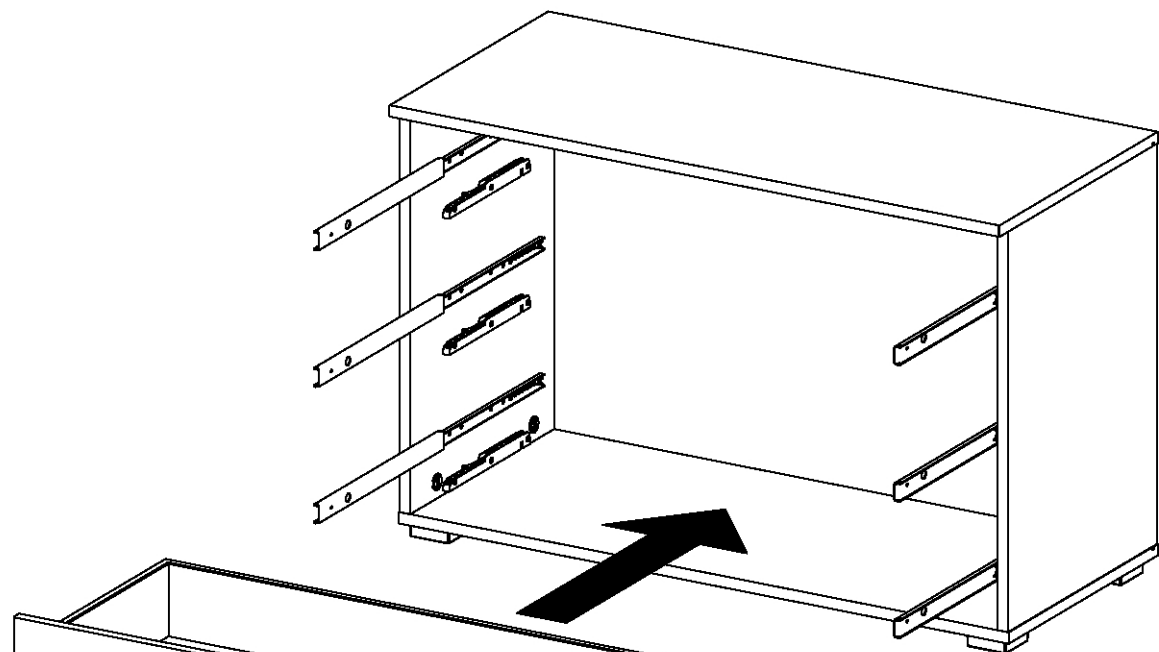
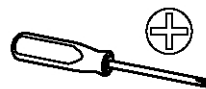


20

6x

568

M4x9



SK010

SK020

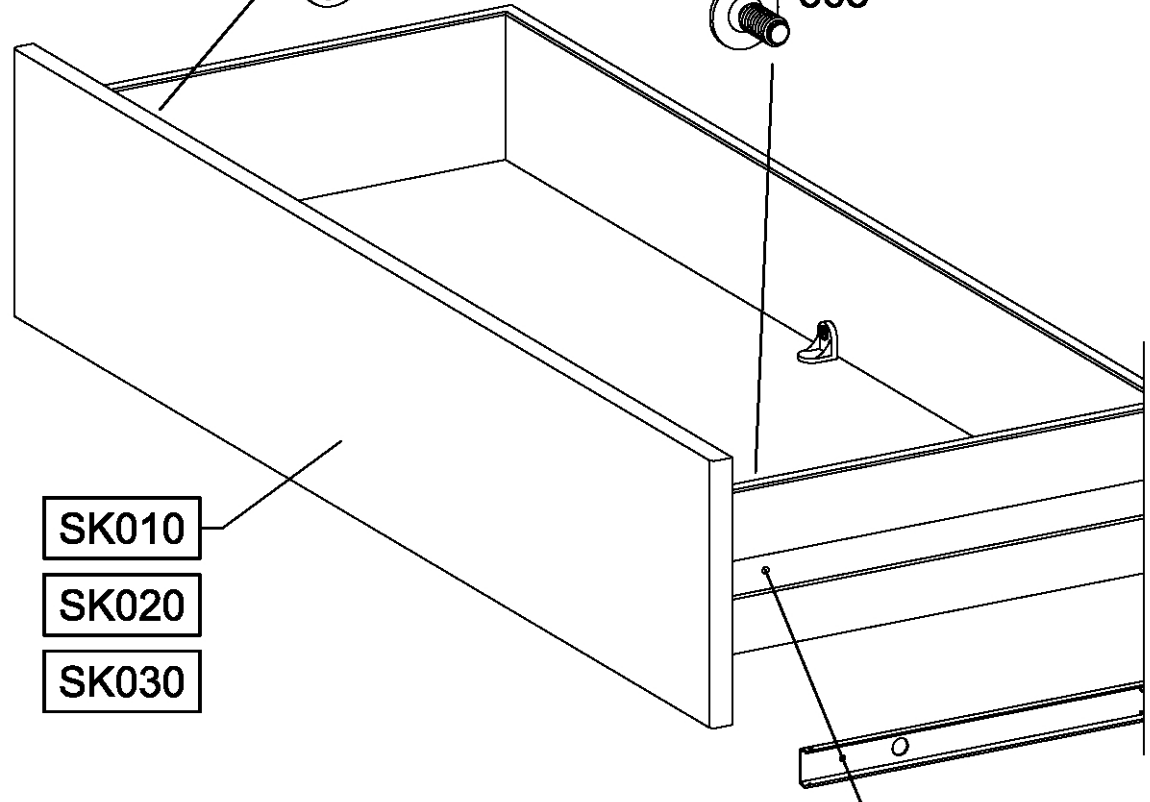
SK030



568



568



SK010

SK020

SK030

