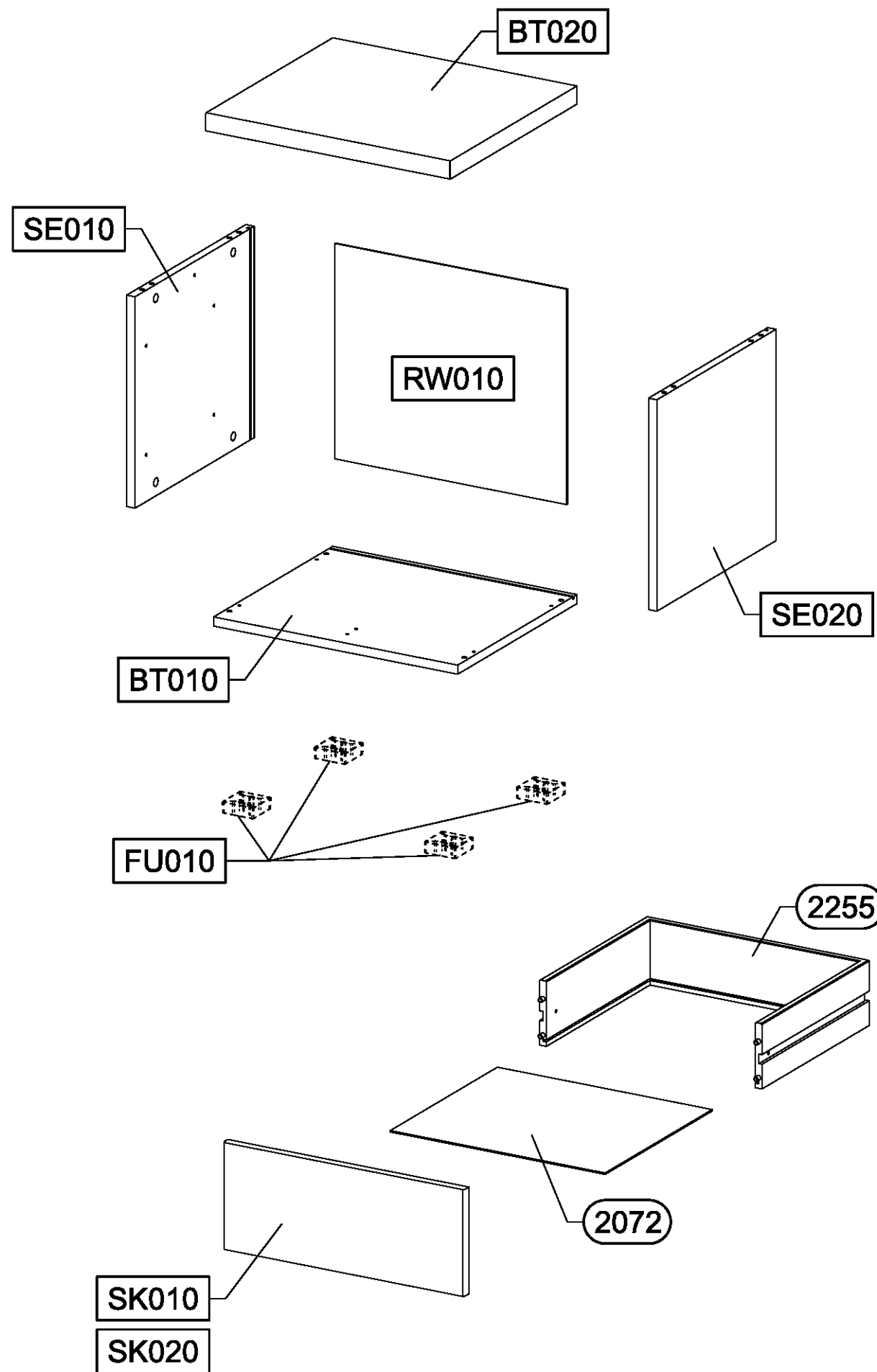
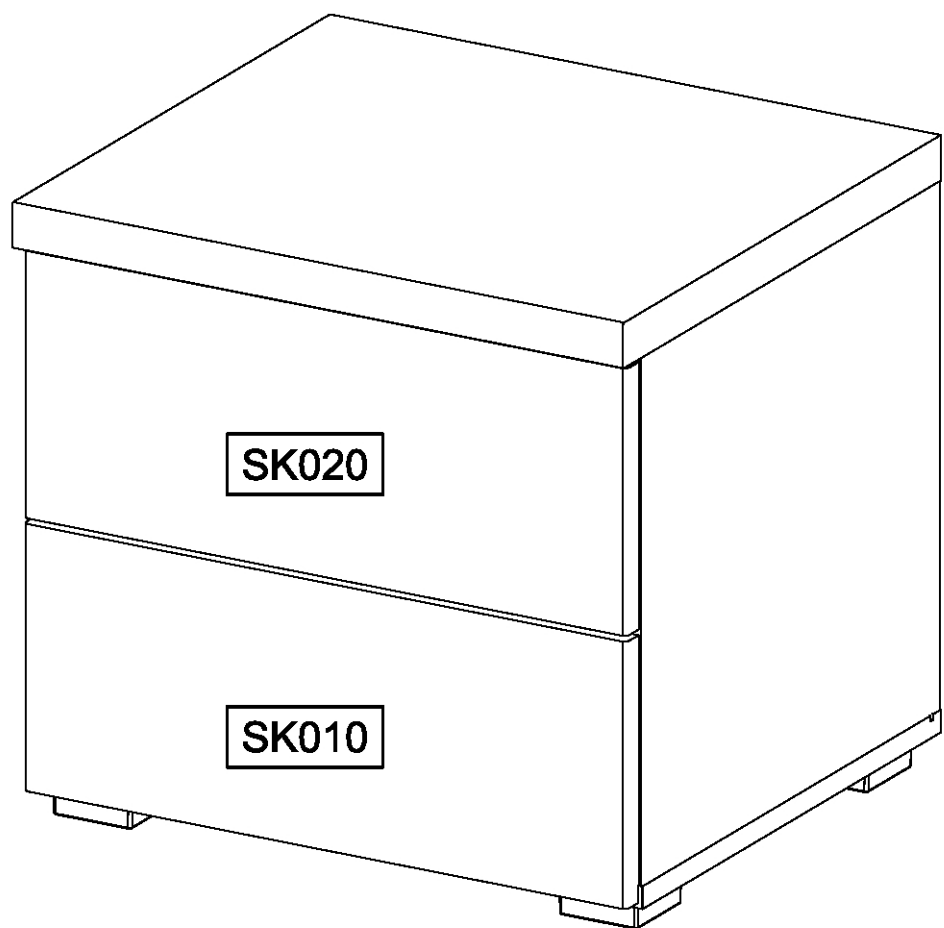
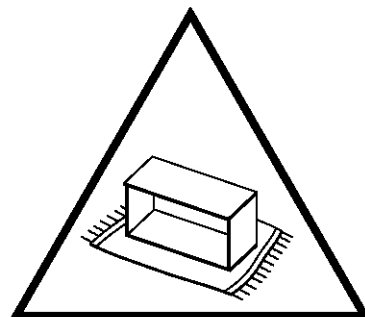
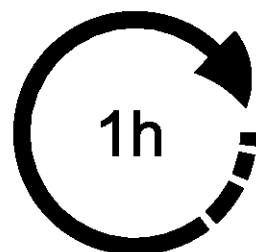
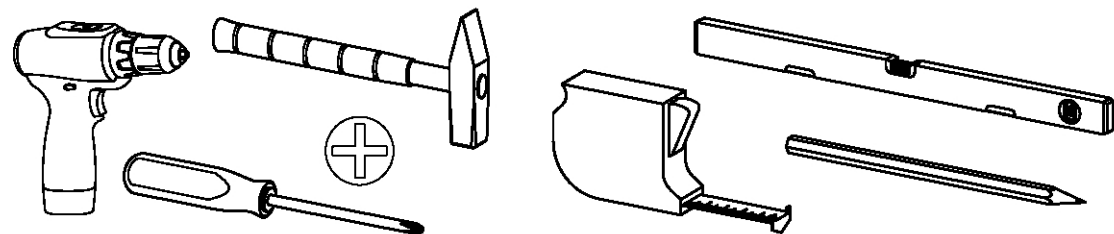
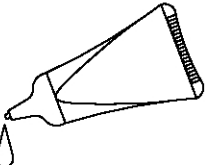


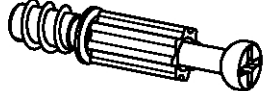

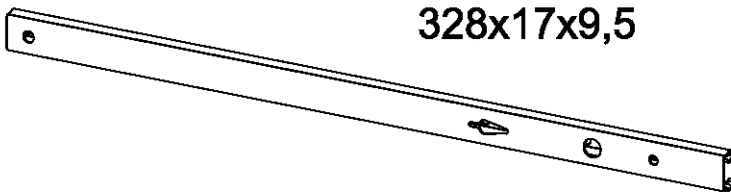


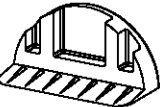
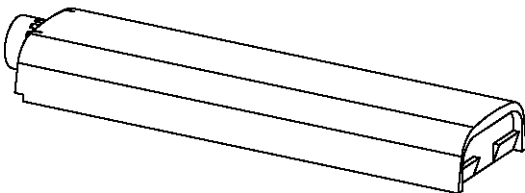
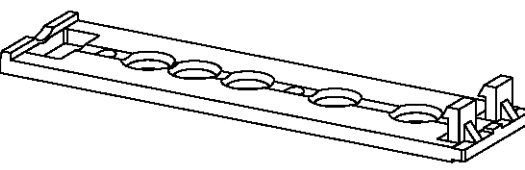
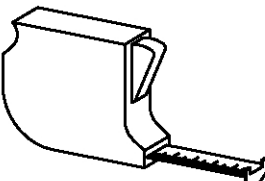
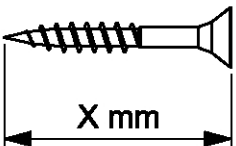
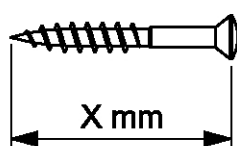
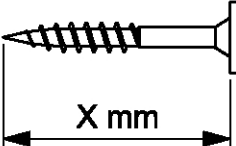
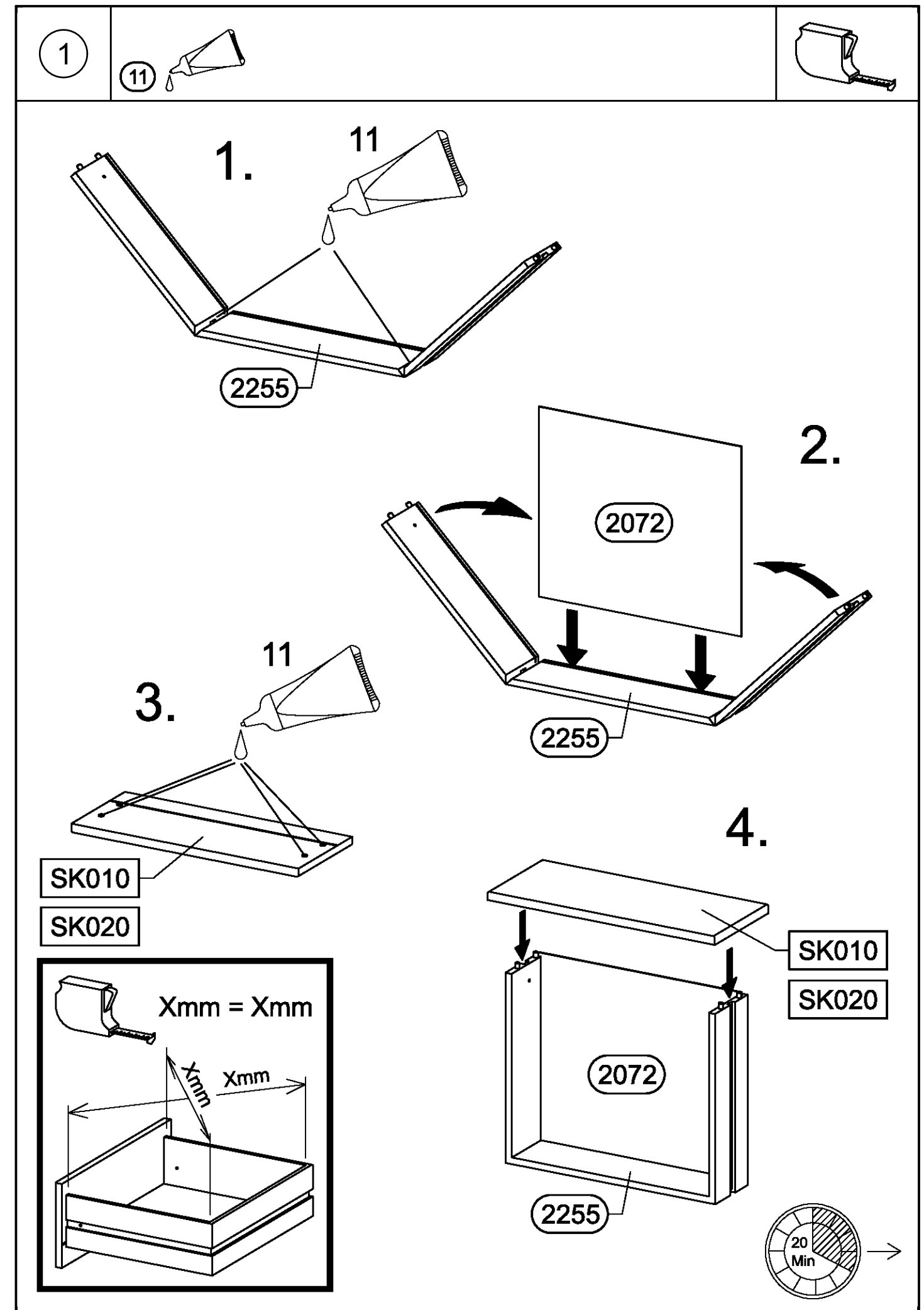


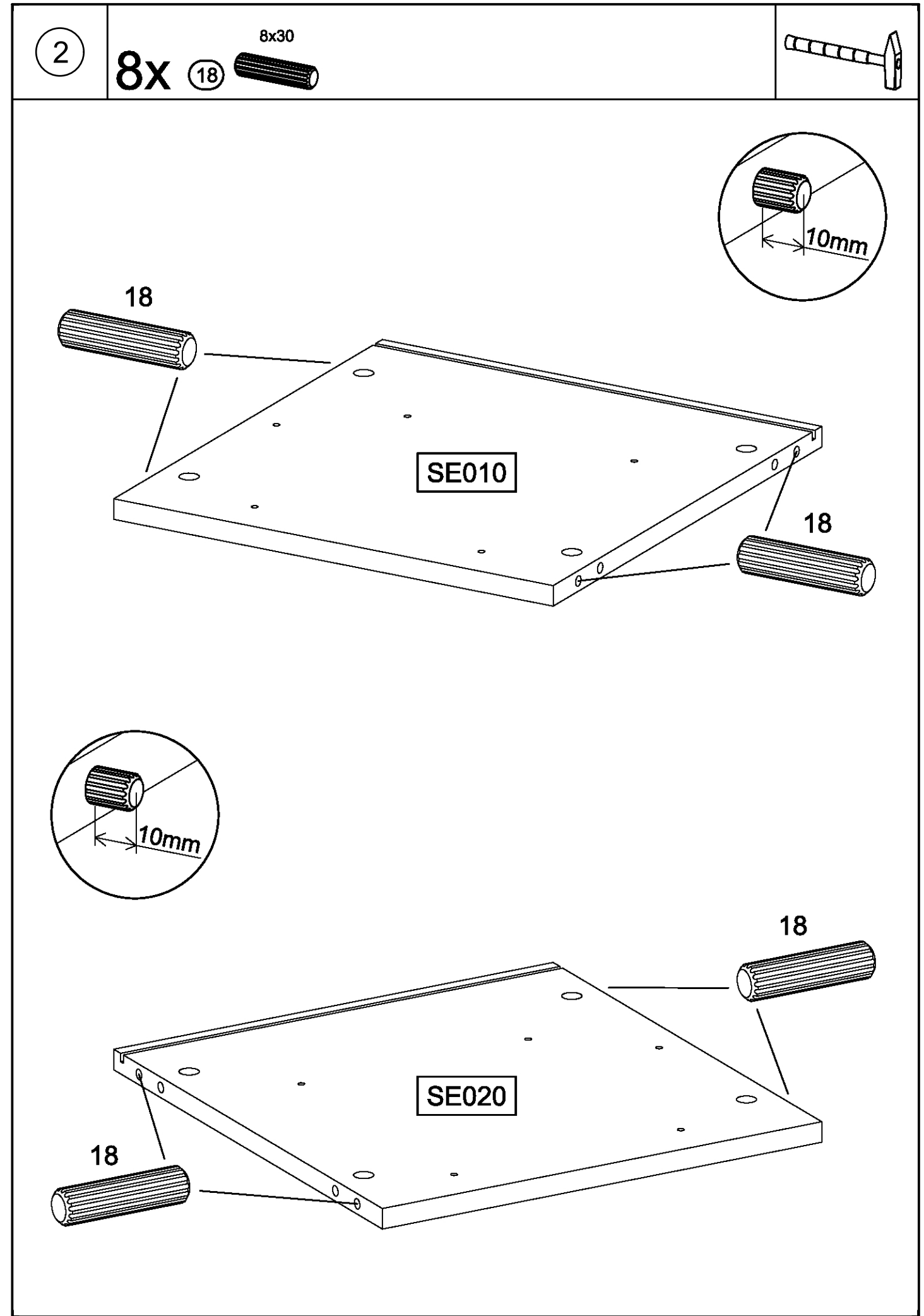
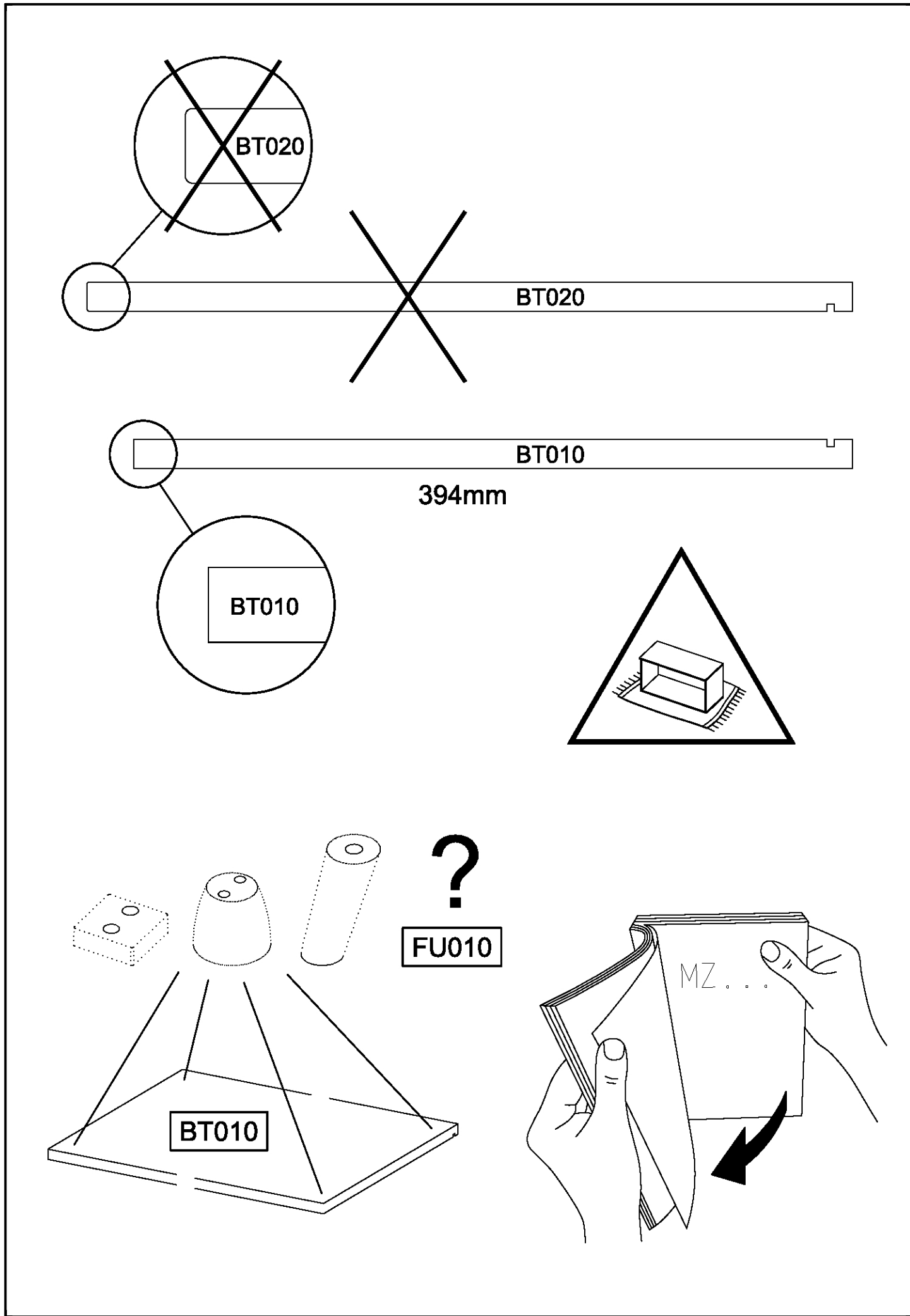
M2645\_01

rauch



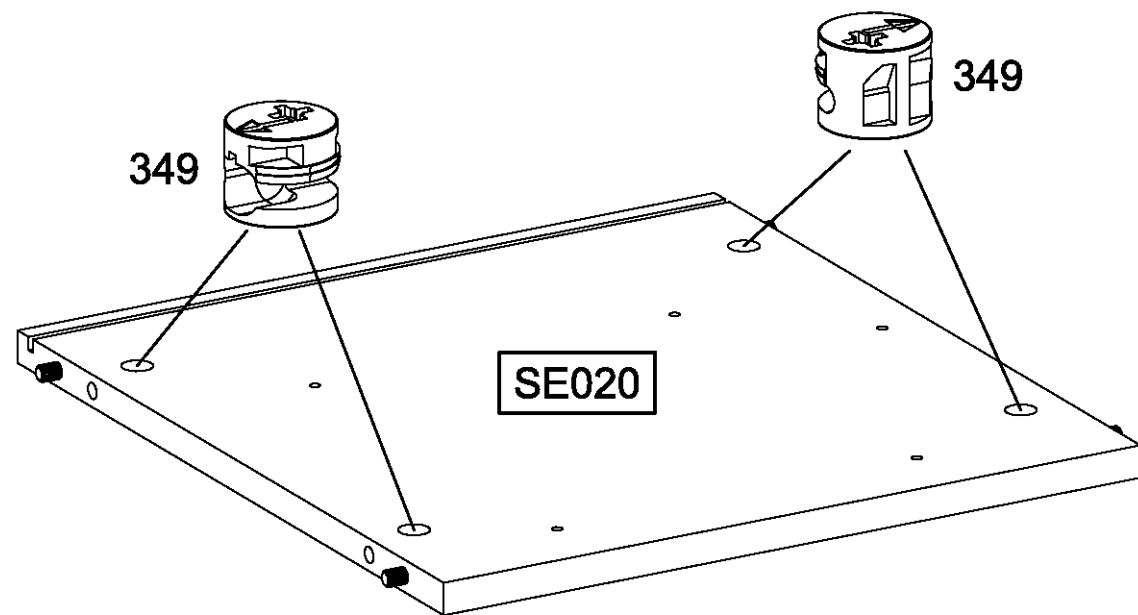
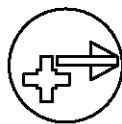
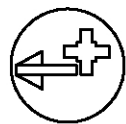
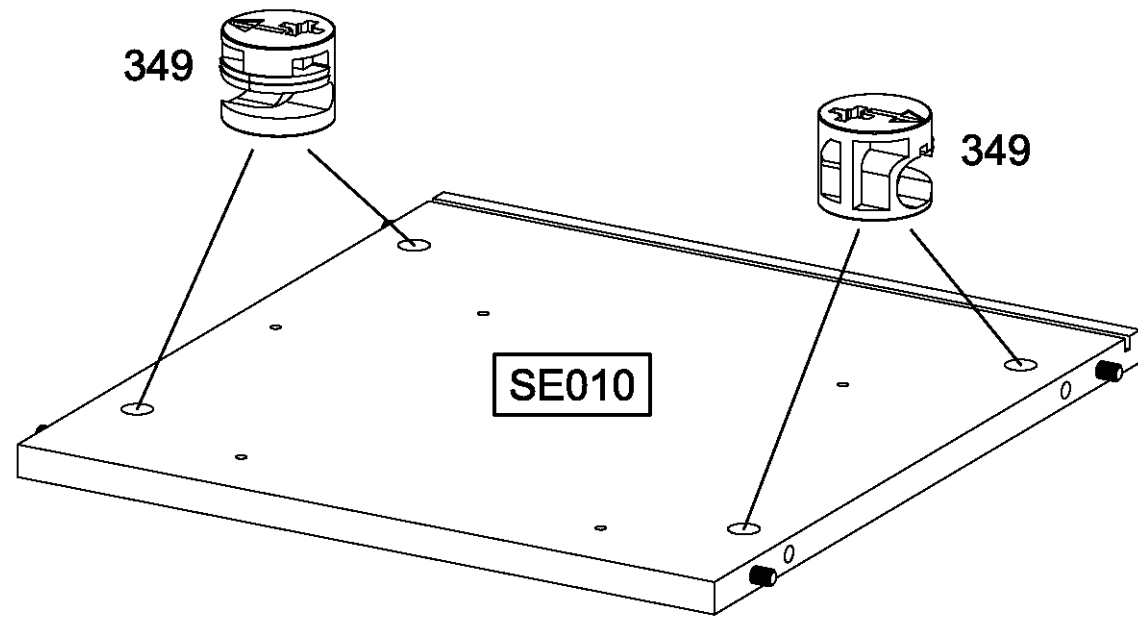
 <p>11</p>	<p>8x</p>  <p>18 8x30</p>	<p>4x</p>  <p>179 6,3x13</p>
<p>8x</p>  <p>183</p>	<p>8x</p>  <p>227 6x10,5</p>	
<p>4x</p>  <p>251 328x17x9,5</p>	<p>8x</p>  <p>349</p>	
<p>4x</p>  <p>568 M4x9</p>	<p>2x</p>  <p>1090</p>	
<p>2x</p>  <p>1245</p>		
<p>2x</p>  <p>1249</p>		
		
 <p>X mm</p>	 <p>X mm</p>	 <p>X mm</p>





3

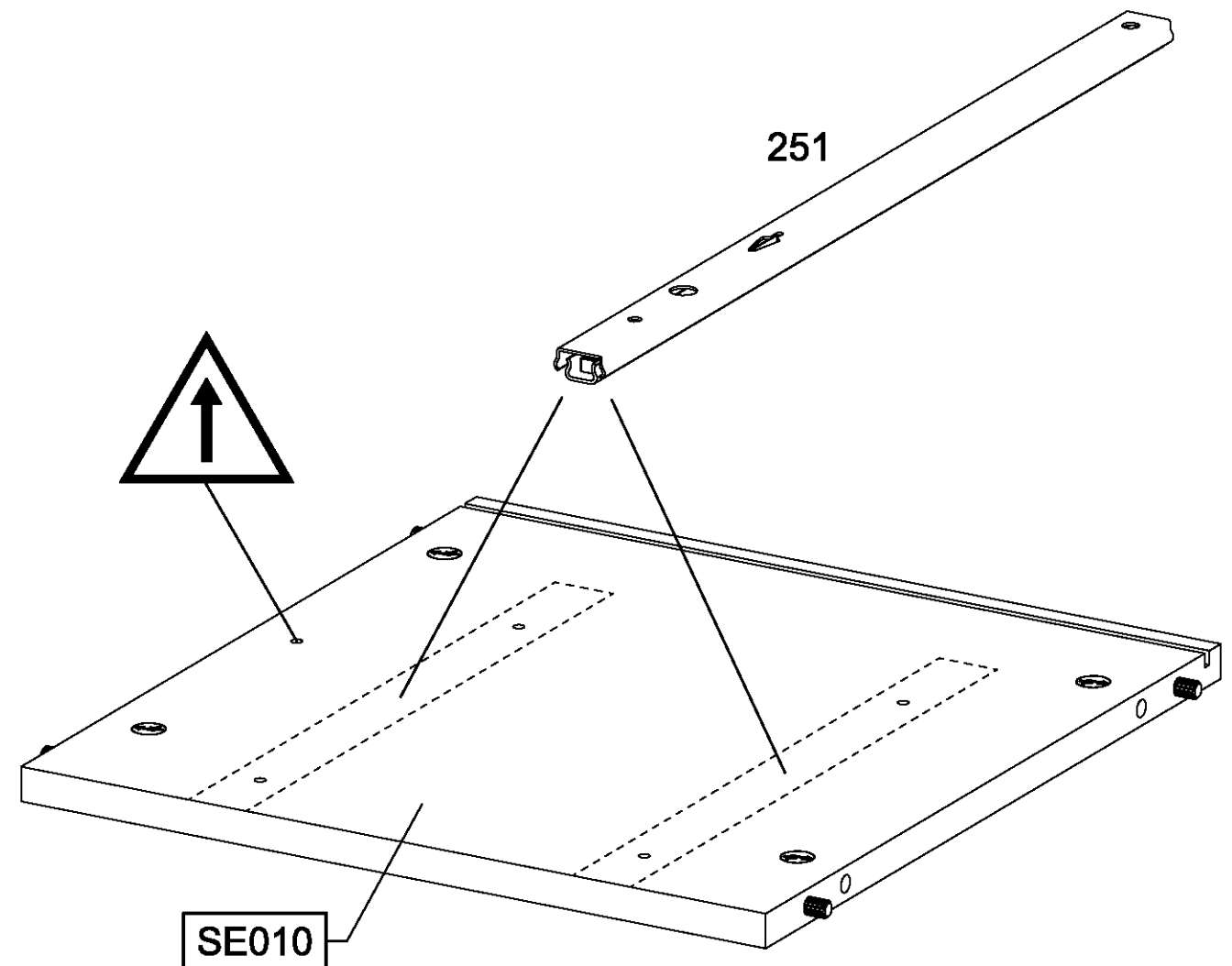
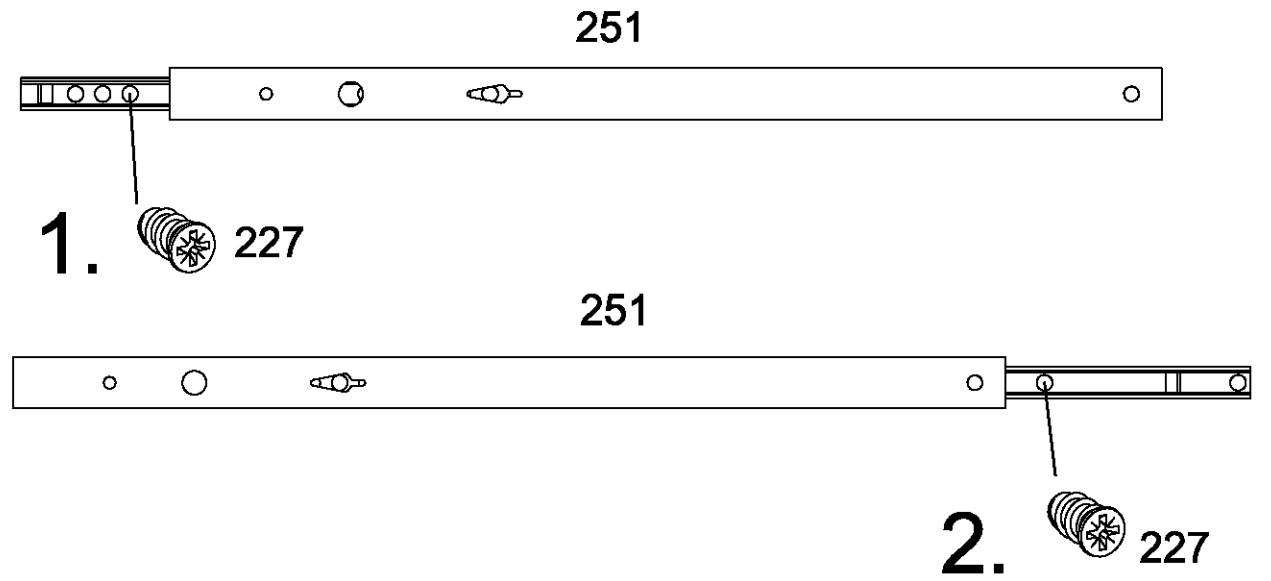
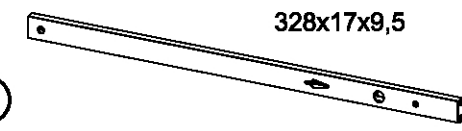
8x 349




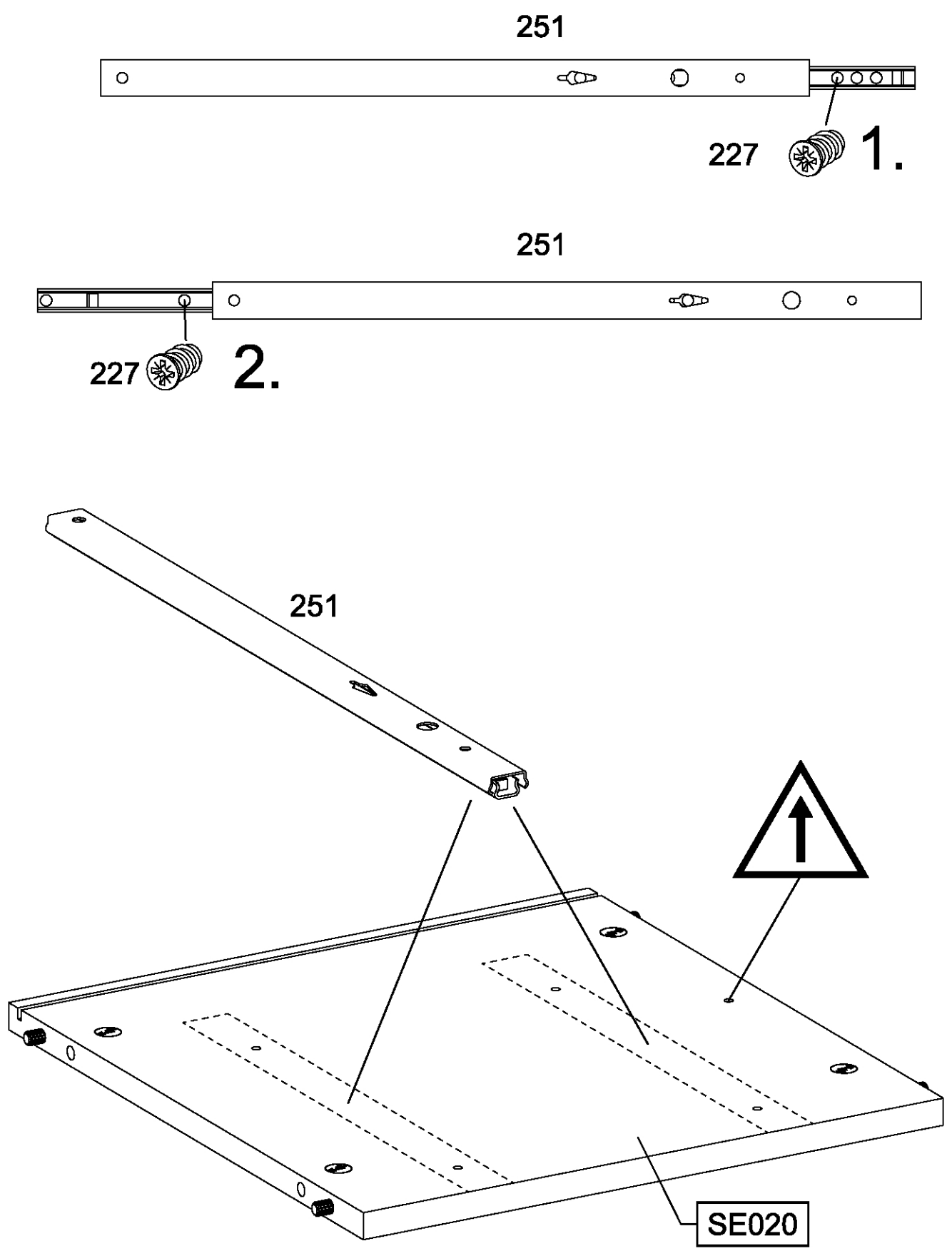
4

4x 227 6x10,5

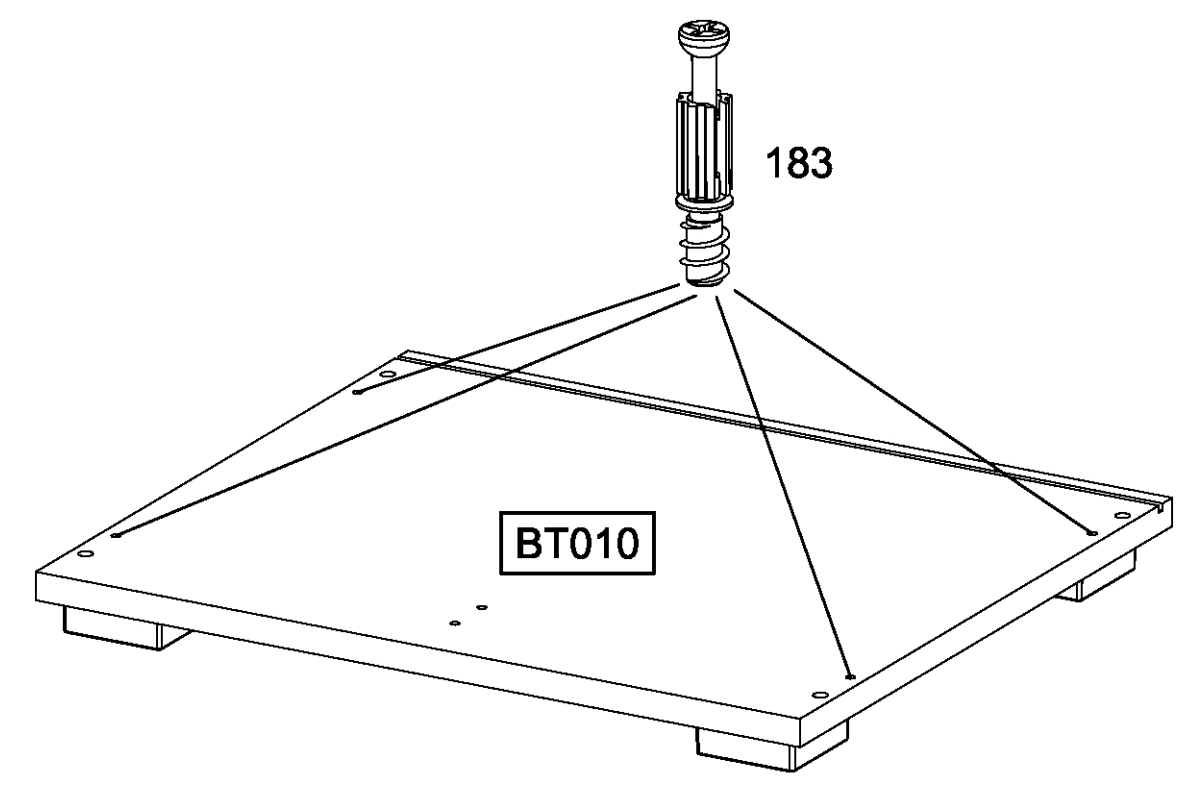
2x 251

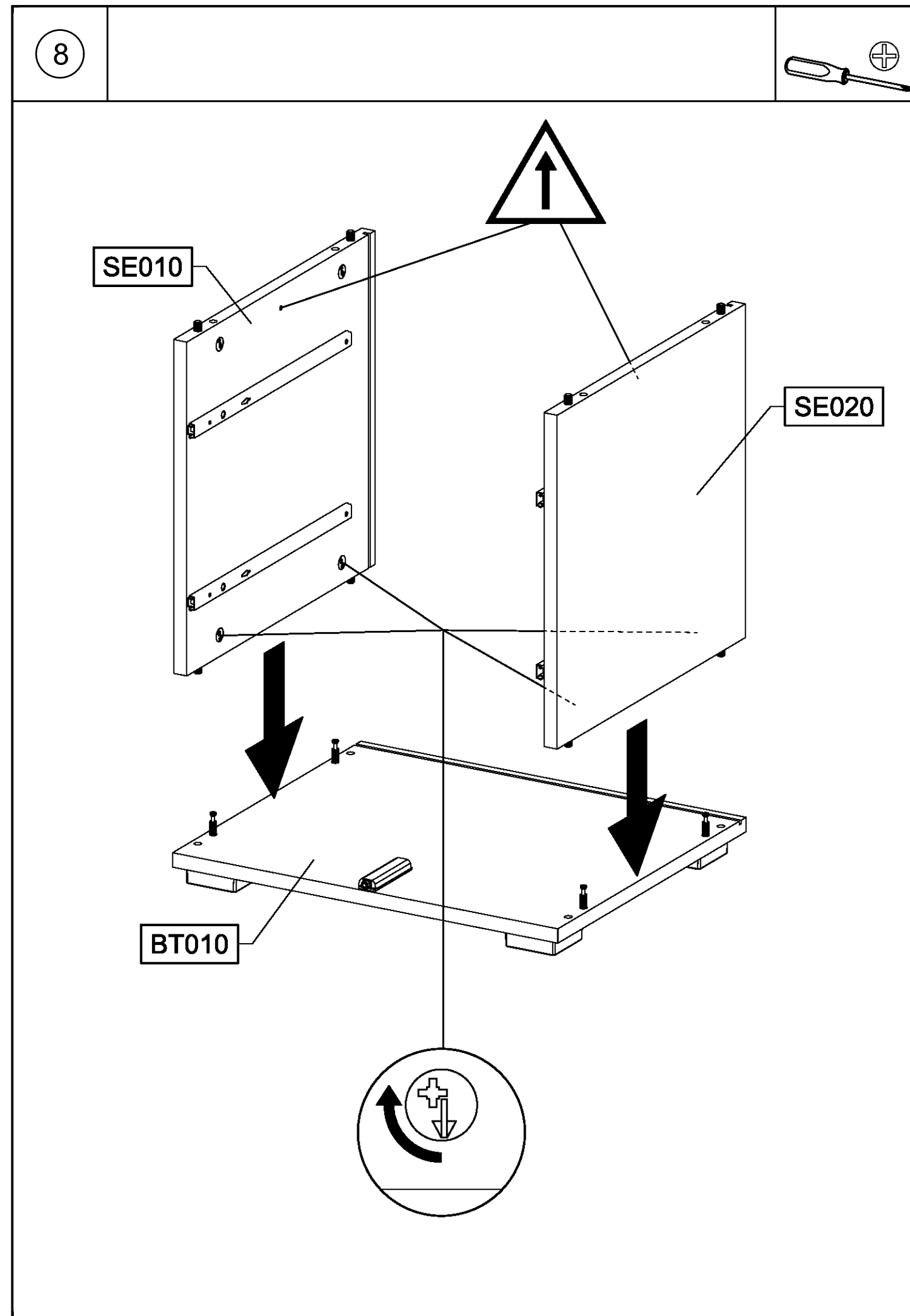
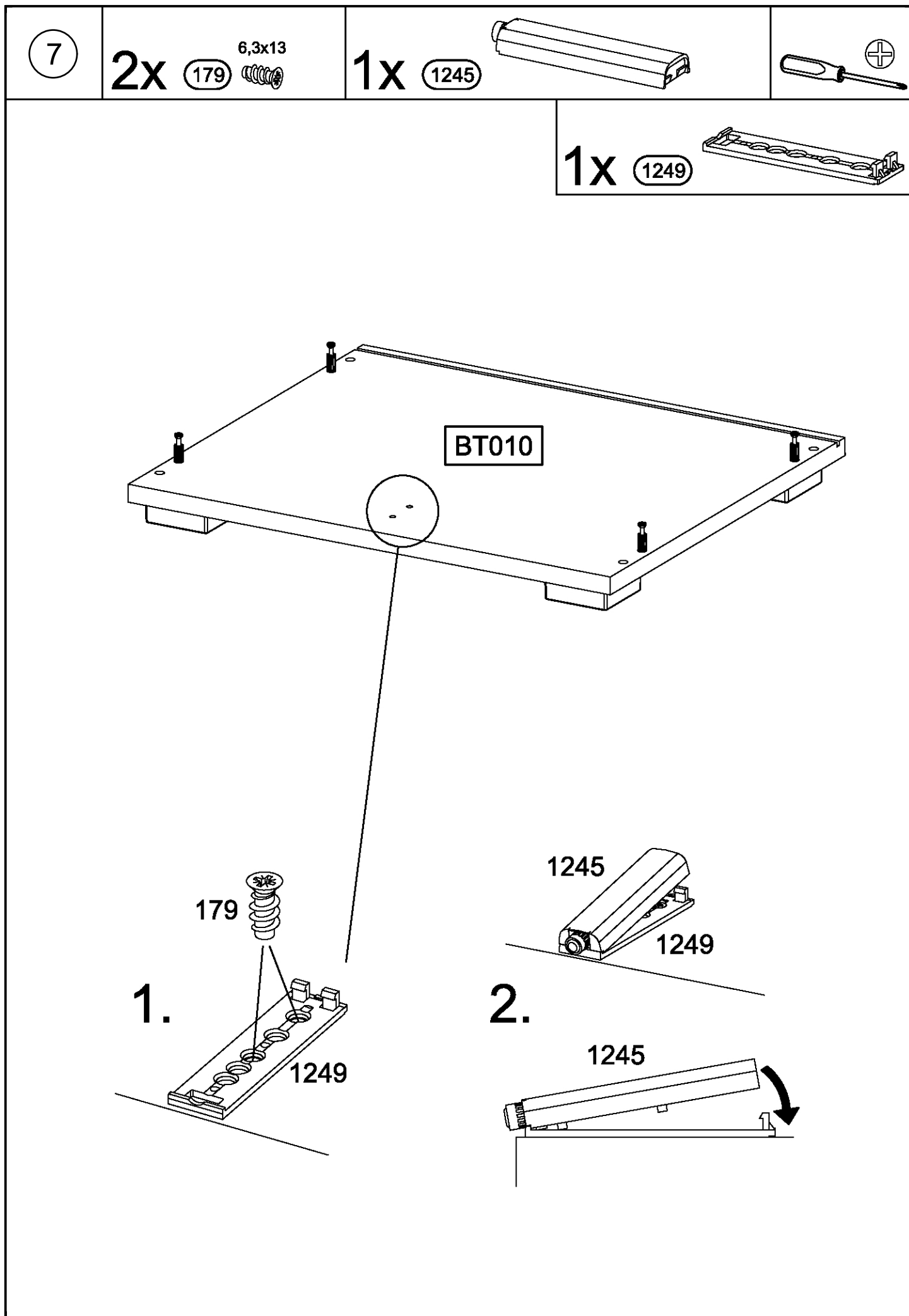


5 **4x** 227 6x10,5 **2x** 251 328x17x9,5 

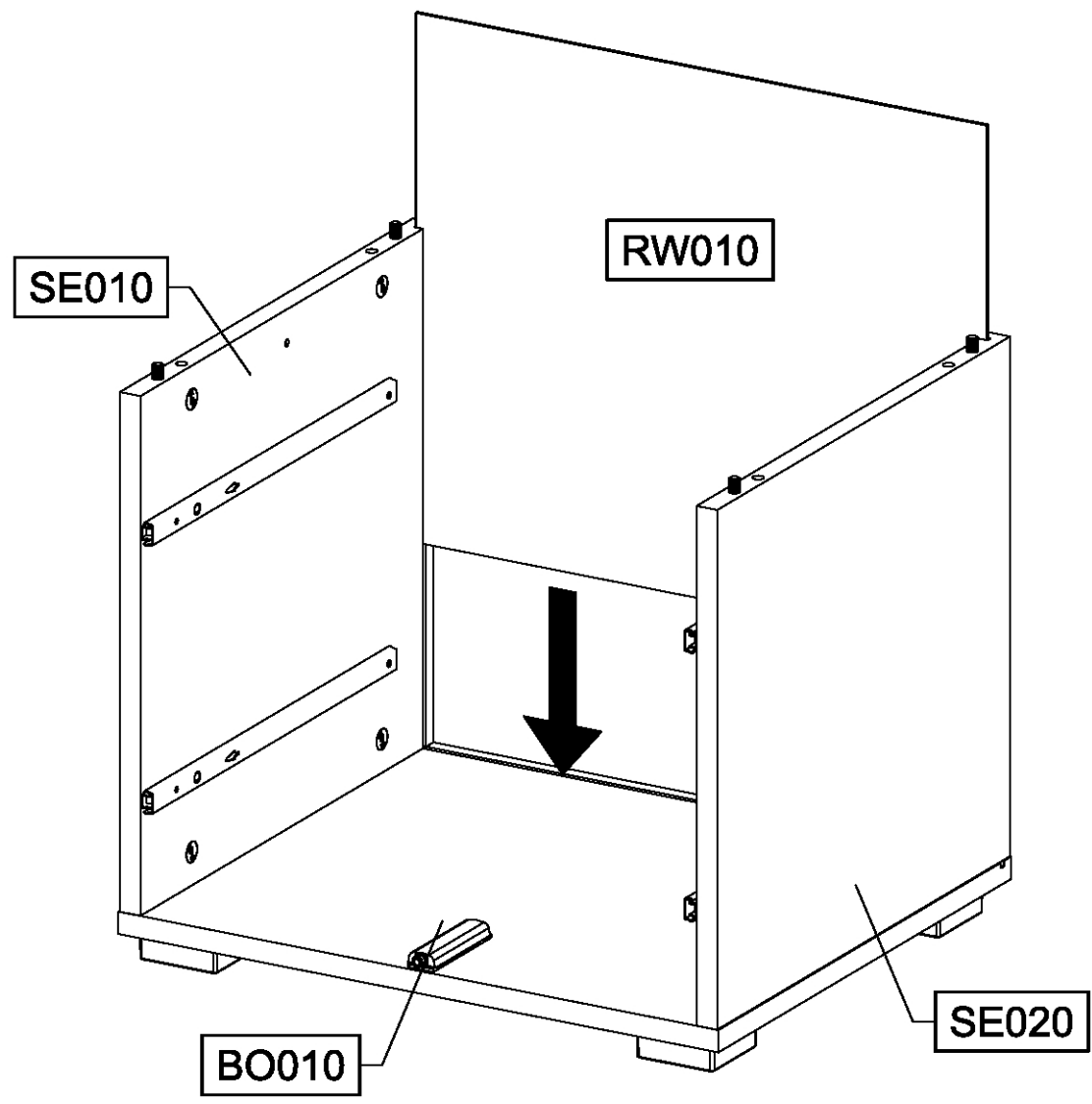


6 **4x** 183  



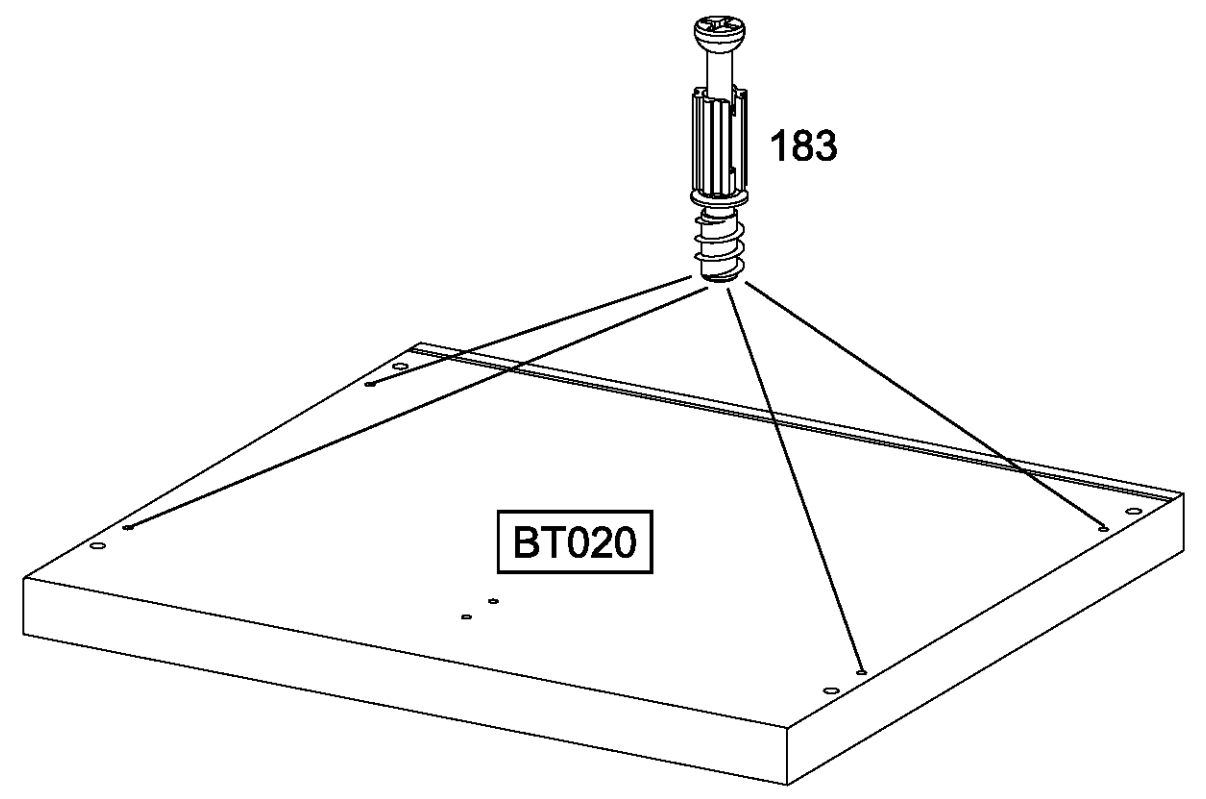
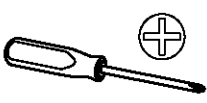


9



10

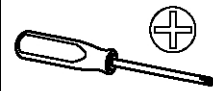
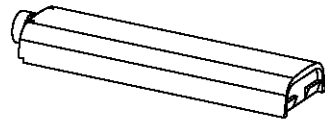
4x 183



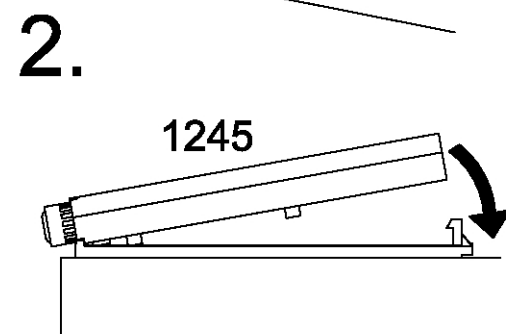
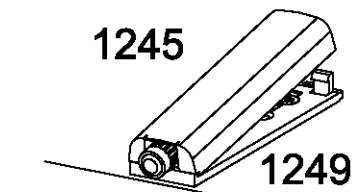
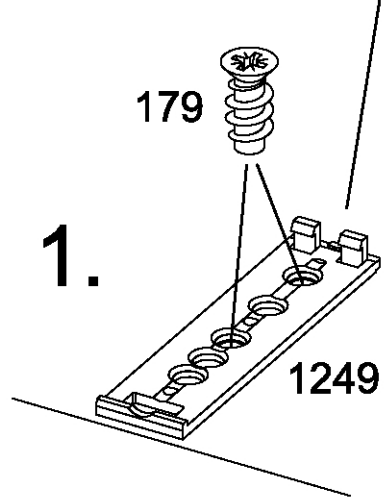
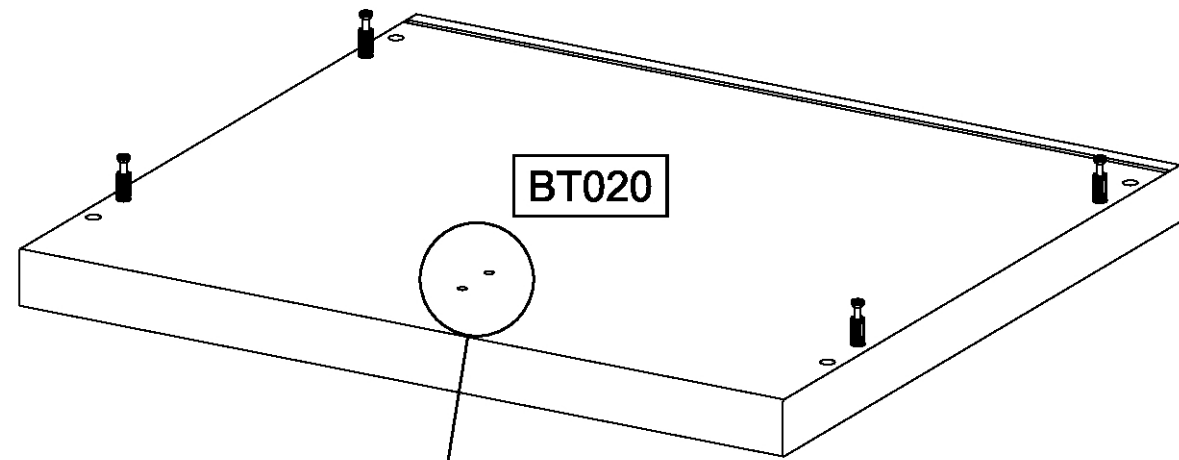
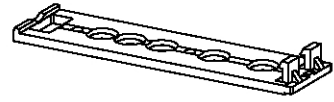
11

2x 179 6,3x13

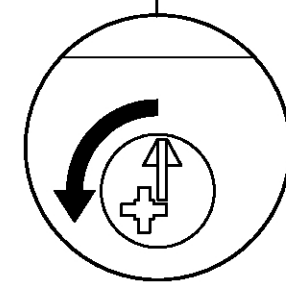
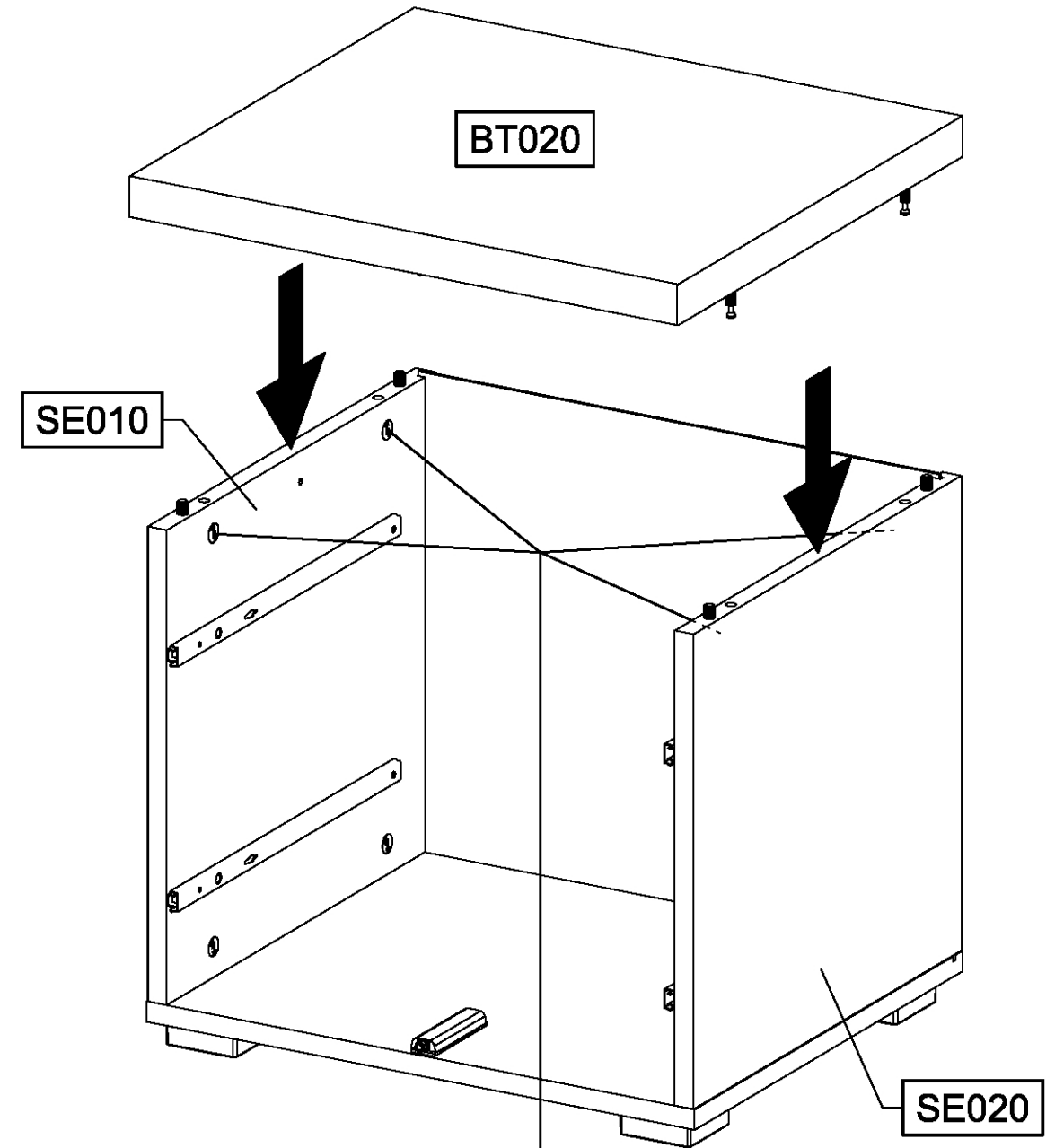
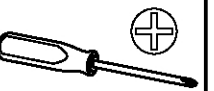
1x 1245



1x 1249



12

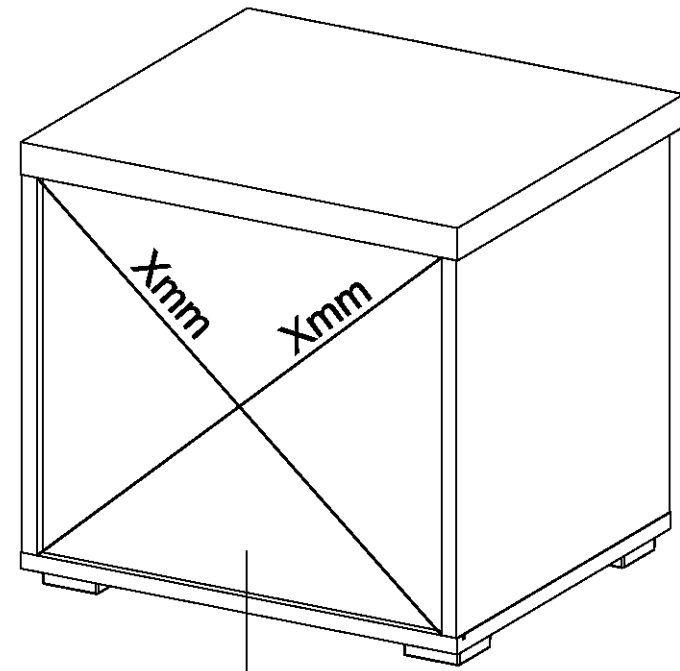
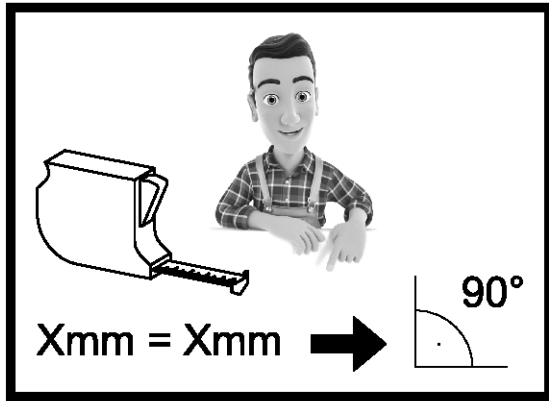
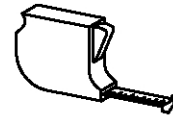




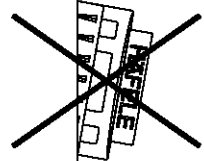
13

2x

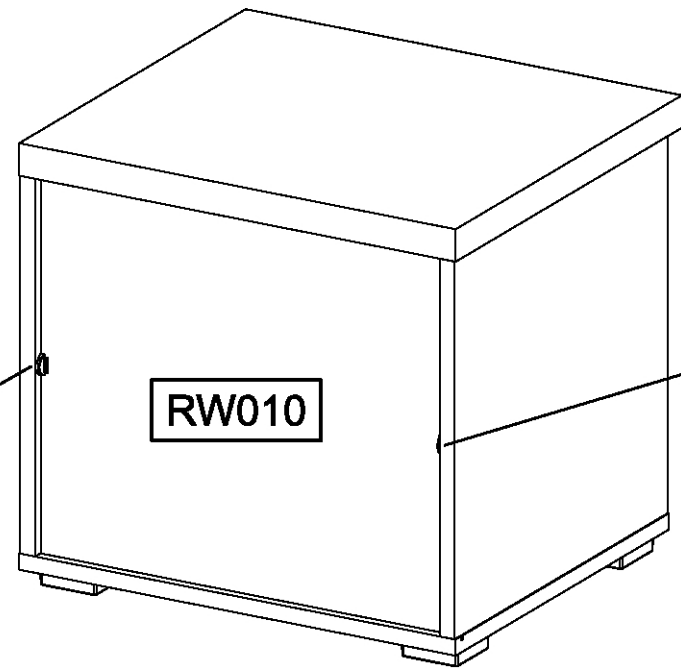
1090



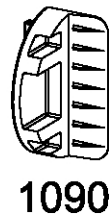
RW010



1090

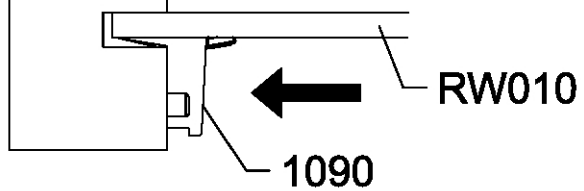


RW010



1090

SE010  
SE020



RW010

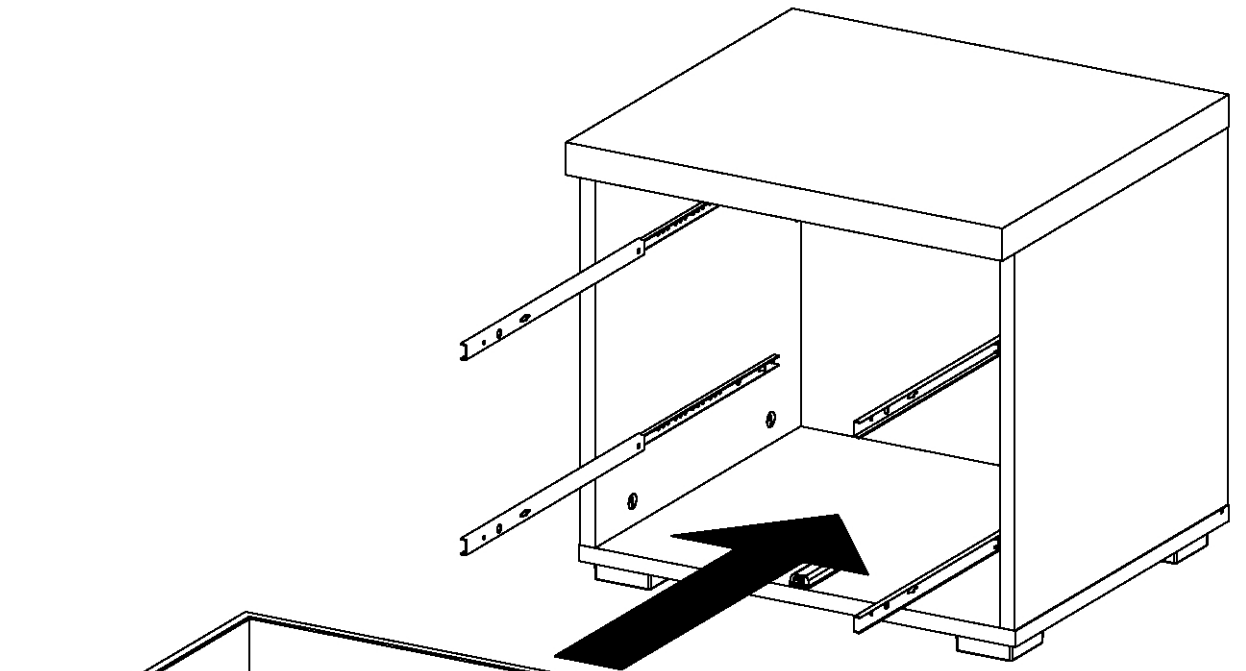
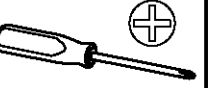
1090

14

4x

568

M4x9



SK010

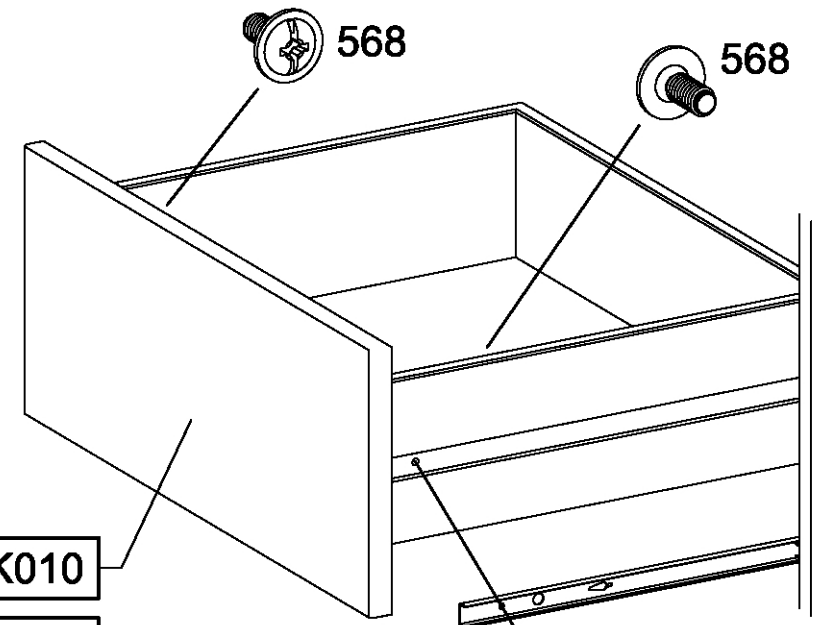
SK020



568



568



SK010

SK020

15

