



Front/Carcase	Colour code
	Handles Metallic grey
Artisan oak colour, Applications black oak colour, Faux leather black	AG317 / AG286 (only Wardrobe)



Artisan oak colour



black oak colour

■ See rauch ORANGE ACCESSORIES 1.1 for extras for sliding door wardrobes.

Supplier: Rauch Möbelwerke GmbH

# Quality features

rauch ORANGE



Interior colour  
Texline  
colour



EASY  
SLIDE

Metal guide  
rails



Drawers  
on silent  
ball-bearing  
runners



Optional  
dampers for  
hinged and  
sliding doors



For extras, see  
rauch ORANGE  
Accessories 11.

Timeless  
look

Attractive  
front designs

Durable  
product  
quality

Excellent  
furniture fit-  
tings

comprehen-  
sive acces-  
sories

## Quality and material



10  
years  
warranty

**10 years rauch manufacturer's warranty.**  
Warranty terms and conditions on  
[rauchmoebel.com/garantie](http://rauchmoebel.com/garantie) and in information  
enclosed with the product.



### WOODMAX chipboard

This healthy green-wood chipboard was designed specifically for use in living areas. Our Woodmax chipboard is made only from pollutant-free small-diameter logs and windfall timber from sustainably managed forestry operations in regional woods.

### Our natural raw material

Rauch has won various awards for the material used in its boards. Strict tests by impartial institutes consistently confirm that our materials and processes are not harmful to health.



### Colour

Furniture with colour finish has an evenly attractive, hard-wearing surface.



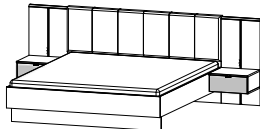
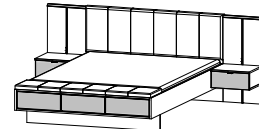
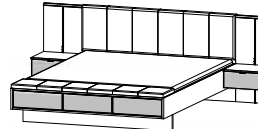
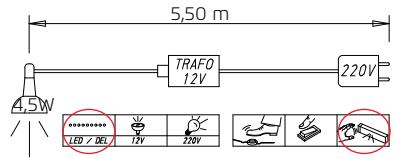
### Load-bearing capacity

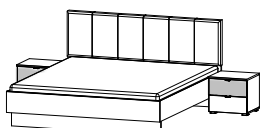
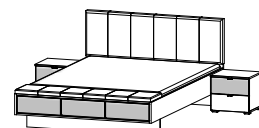
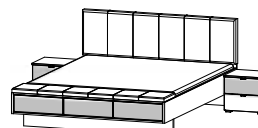
The load limits for all furniture and extras can be found in the load table at:  
<https://qrco.de/rauch-belastungstabelle>

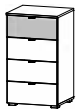

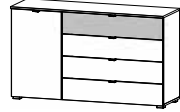
## Award-winning and certified



Front/Carcase	Colour code
	Handles Metallic grey
Artisan oak colour, Applications black oak colour, Faux leather black	AG317

BEDS		Combination consisting of bed and 2 bedside tables. Padded faux leather headboard. 2 bedside tables, hanging with panel, with vertical LED lighting.					
<ul style="list-style-type: none"> <li>• Bed side height = 44 cm</li> <li>• Slatted frame can be adjusted to 6 different heights</li> <li>• Inlet depths (Upper edge of bed side to support height): 13,9 cm, 15,5 cm, 17,1 cm, 18,7 cm, 20,3 cm, 21,9 cm</li> </ul>	 <p>without bench and drawers at foot end</p>	 <p>with upholstered bench in faux leather and drawers at foot end</p>	 <p>with upholstered bench in faux leather and drawers at foot end</p>	 <p>This product contains a light source of the energy efficiency class E. EPREL 766774</p>			
					<b>bed combination</b>	<b>bed combination</b>	<b>bed combination</b>
					headboard padding, with hang, bedside table pair with panel	headboard padding, with hang, bedside table pair with panel	headboard padding, with hang, bedside table pair with panel
					180/200 ↔279 cm †100 cm ↗209 cm <b>BG 80</b>	160/200 ↔259 cm †100 cm ↗243 cm <b>BG 61</b>	180/200 ↔279 cm †100 cm ↗243 cm <b>BG 81</b>
<b>Article</b>	<b>Price</b>	<b>OBL8</b>	<b>OBJ4</b>	<b>OBJ5</b>			

BEDS		Combination consisting of bed and 2 bedside tables. Padded faux leather headboard.					
<ul style="list-style-type: none"> <li>• Bed side height = 44 cm</li> <li>• Slatted frame can be adjusted to 6 different heights</li> <li>• Inlet depths (Upper edge of bed side to support height): 13,9 cm, 15,5 cm, 17,1 cm, 18,7 cm, 20,3 cm, 21,9 cm</li> </ul>	 <p>without bench and drawers at foot end</p>	 <p>with upholstered bench in faux leather and drawers at foot end</p>	 <p>with upholstered bench in faux leather and drawers at foot end</p>				
					<b>bed combination</b>	<b>bed combination</b>	<b>bed combination</b>
					headboard padding, with 2 bedside tables	headboard padding, 2 drawers, with 2 bedside tables	headboard padding, 2 drawers, with 2 bedside tables
					180/200 ↔278 cm †100 cm ↗209 cm <b>BG 80</b>	160/200 ↔258 cm †100 cm ↗243 cm <b>BG 61</b>	180/200 ↔278 cm †100 cm ↗243 cm <b>BG 81</b>
<b>Article</b>	<b>Price</b>	<b>OBL6</b>	<b>OG18</b>	<b>OG19</b>			

MATCHING PIECES		Top drawers in application colour.					
							
					<b>chest</b>	<b>chest</b>	<b>chest</b>
					4 drawers	4 drawers	1-door, hinged left, 4 drawers
					↔47 cm †81 cm ↗42 cm	↔93 cm †81 cm ↗42 cm	↔140 cm †81 cm ↗42 cm
<b>Article</b>	<b>Price</b>	<b>637F</b>	<b>639B</b>	<b>6L00</b>			

Front/Carcase	Colour code
	Handle strips Metallic grey
Artisan oak colour	AG317
Artisan oak colour, Applications black oak colour	AG286 (only Wardrobe)

WARDROBES		Single-colour front		
See rauch ORANGE ACCESSORIES 1.1 for extras for sliding door wardrobes. 		<p><b>NOTE!</b> Please order using colour code AG317 Artisan oak colour!</p>		
				sliding door wardrobe
				2-door
				↔226 cm †210 cm ↗62 cm
Article	Price	4852		

WARDROBES		Front with COLOUR applications black oak		
See rauch ORANGE ACCESSORIES 1.1 for extras for sliding door wardrobes. 		<p><b>NOTE!</b> Please order using colour code AG286 Artisan oak colour, Applications black oak colour!</p>		
				sliding door wardrobe
				2-door
				↔226 cm †210 cm ↗62 cm
Article	Price	4852		

WARDROBES		Extras for sliding door robes					
<p><b>NOTE!</b> Please order using colour code AG317 Artisan oak colour!</p>	<p>Can be assembled retrospectively without additional drilling.</p>			<p>This product contains a light source of the energy efficiency class G.</p>			
					hanging unit	passepartout	passepartout
					for sliding wardrobe, Colour: black oak	for sliding wardrobe 225 cm	with lighting, for sliding wardrobe 225 cm
					↔114 cm †37 cm ↗6 cm	↔233 cm †214 cm ↗23 cm	↔233 cm †214 cm ↗23 cm
Article	Price	9B33	9P3P	9P3L			