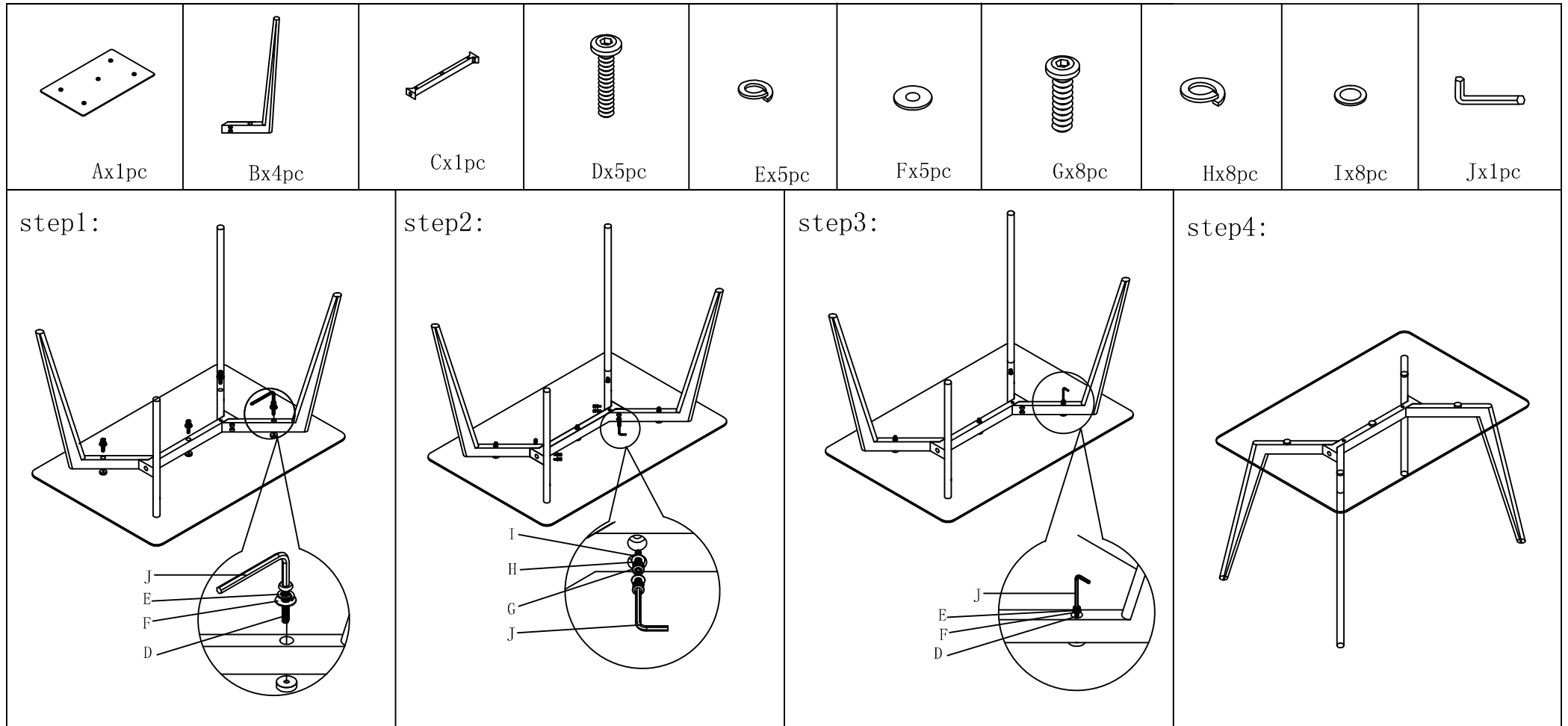


# OSLO 120X80 STOL



only tight 50% in the first step, please tight 100% in the step2 then go on step3.