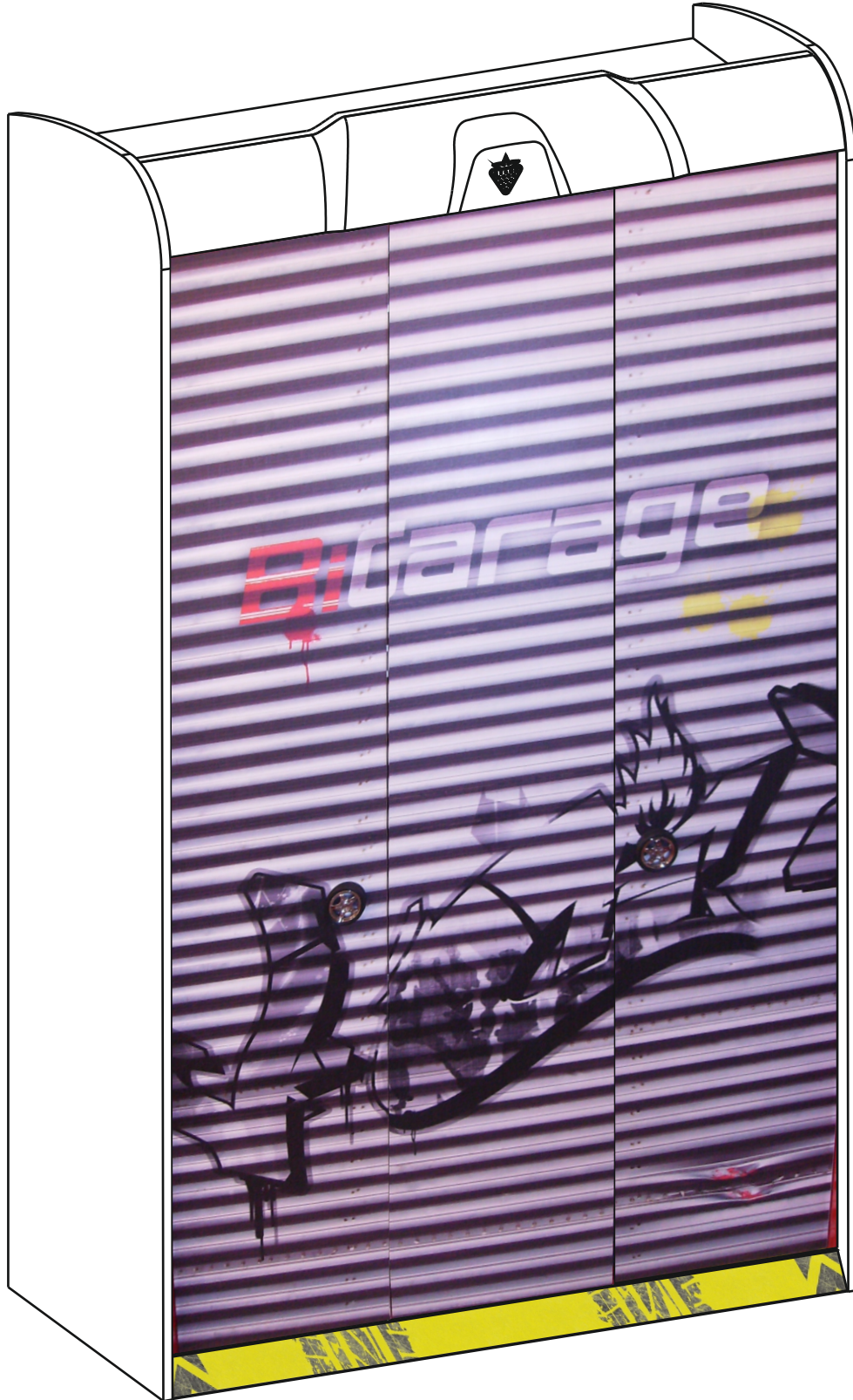
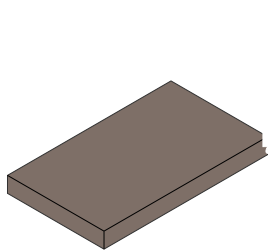
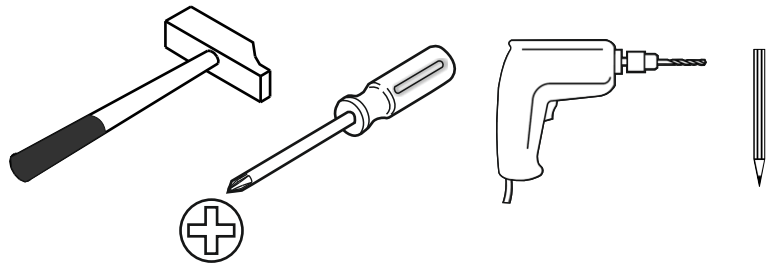
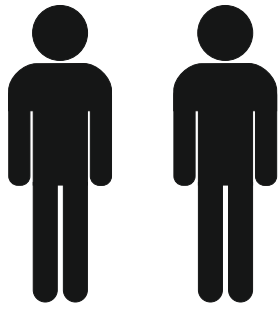
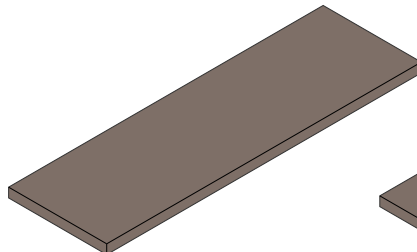


20.35.1002.00

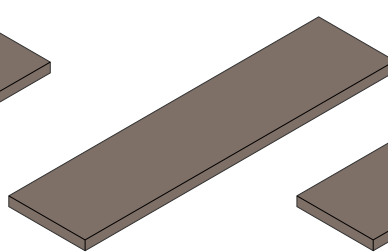




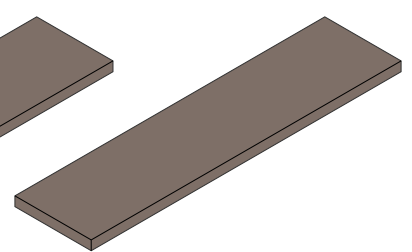
4/1



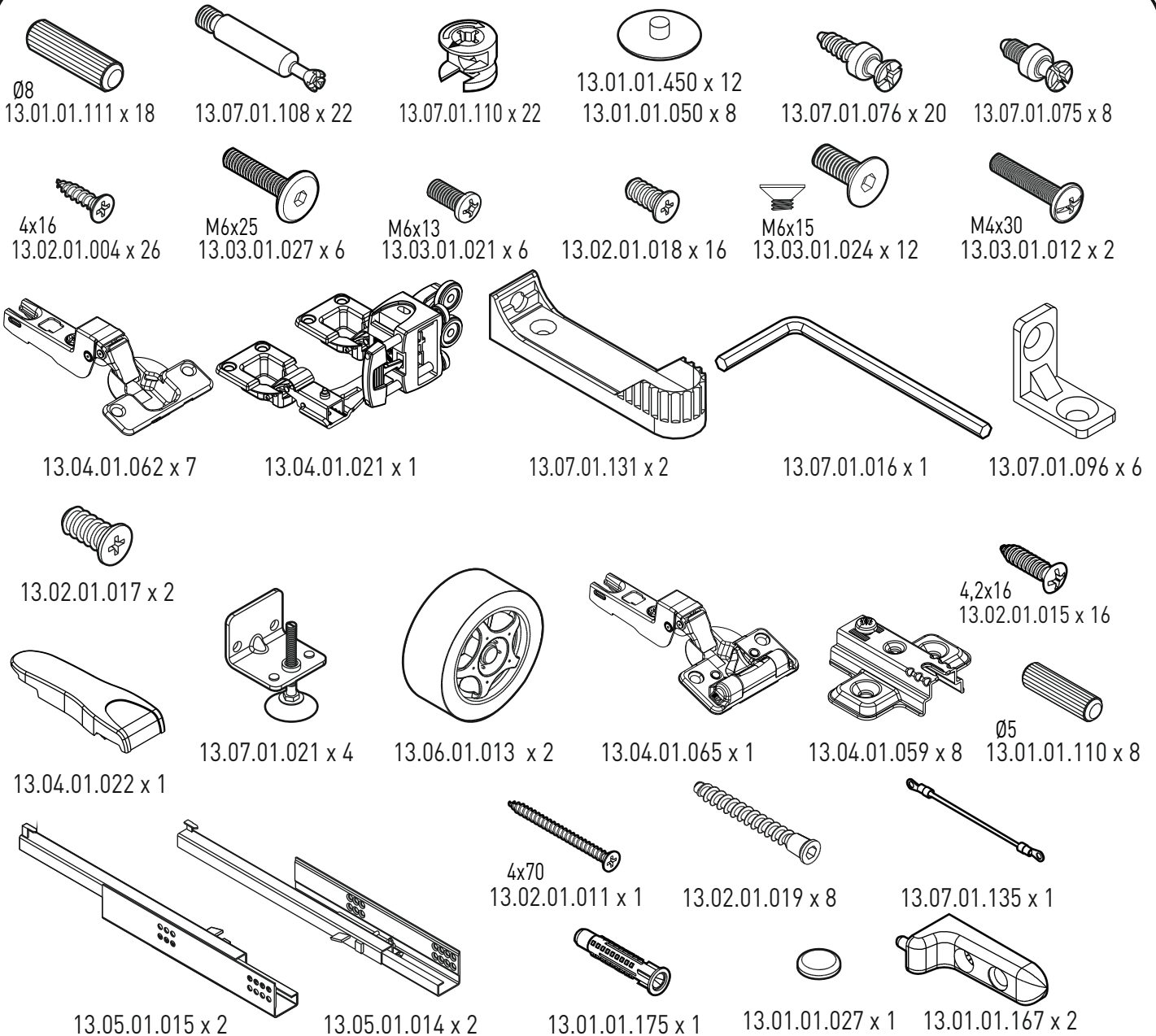
4/2



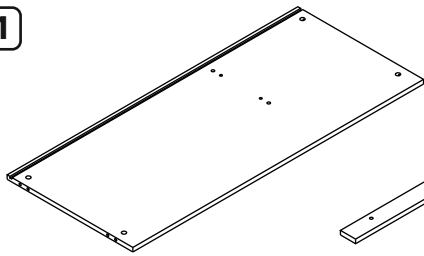
4/3



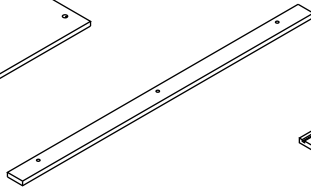
4/4



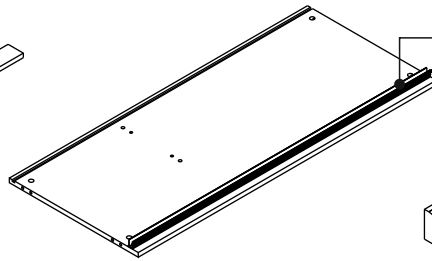
4/1



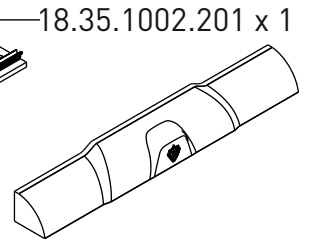
18.35.1002.003 x 1



18.35.1002.004 x 2

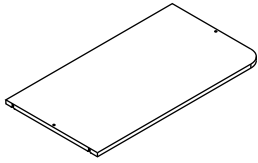


18.35.1002.008 x 1

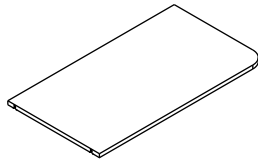


18.35.1002.201 x 1

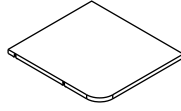
18.35.1002.801 x 1



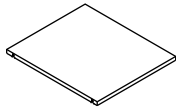
18.35.1002.011 x 1



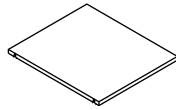
18.35.1002.012 x 1



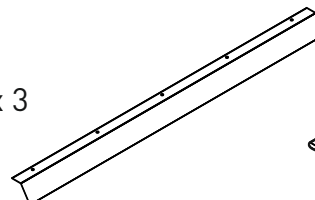
18.35.1002.015 x 3



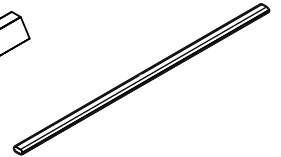
18.35.1002.013 x 1



18.35.1002.014 x 1

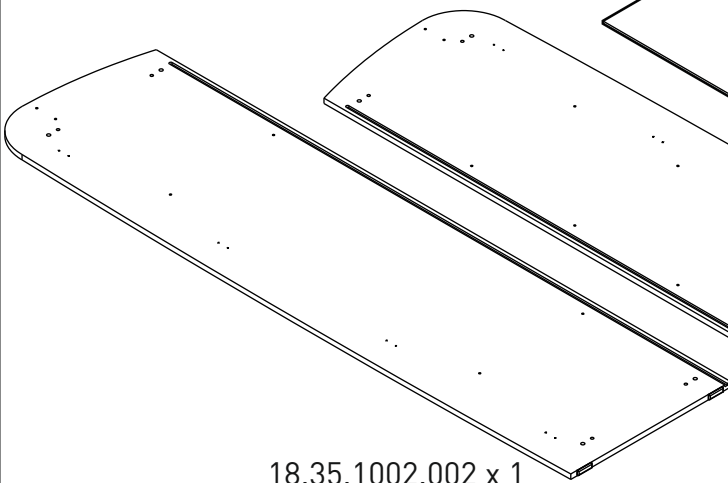


185.35.1002.020 x 1

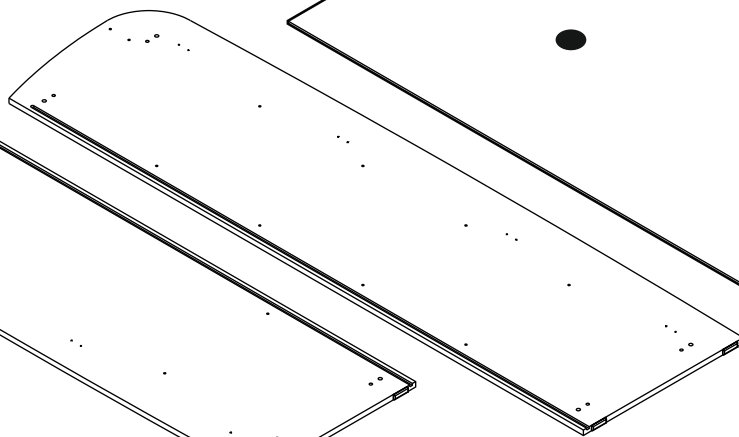


13.13.01.019 x 1

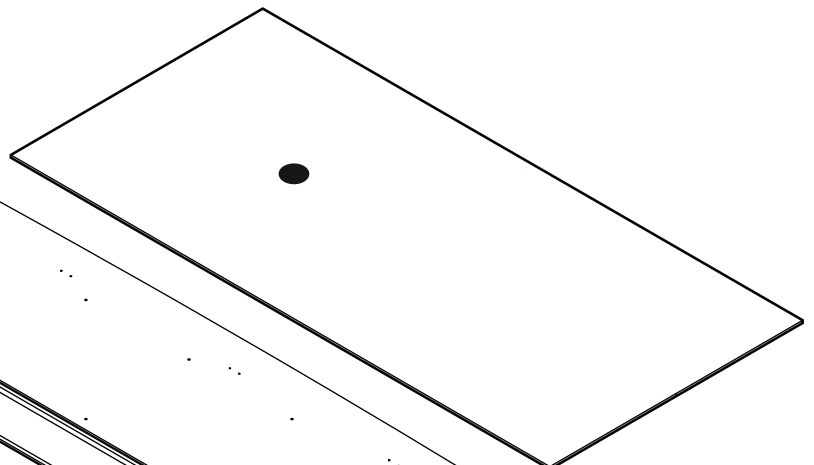
4/2



18.35.1002.002 x 1



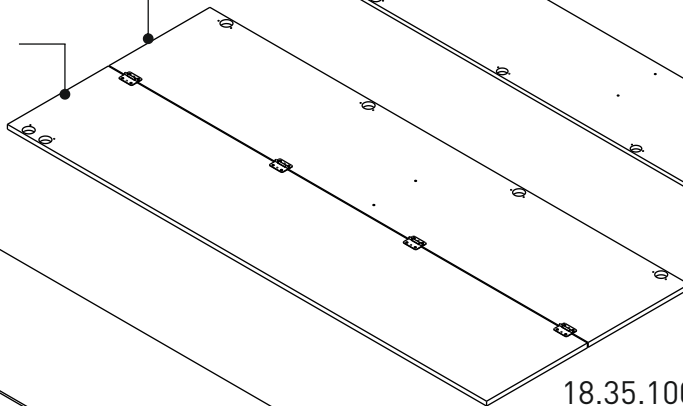
18.35.1002.001 x 1



18.35.1002.006 x 1

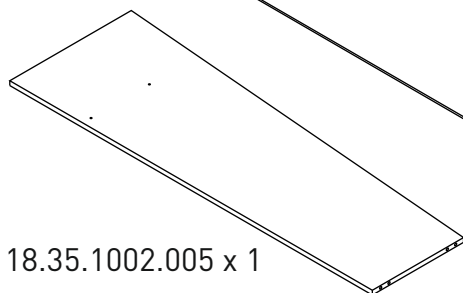
4/3

18.35.1002.018 x 1
18.35.1002.017 x 1

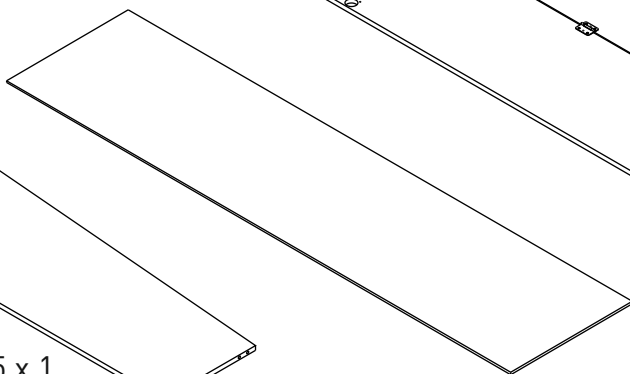


18.35.1002.016 x 1

18.35.1002.019 x 1

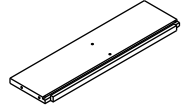
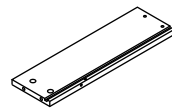
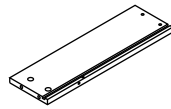
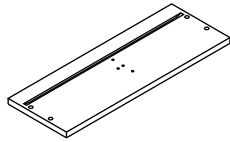
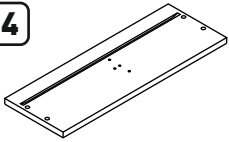


18.35.1002.005 x 1



18.35.1002.007 x 1

4/4



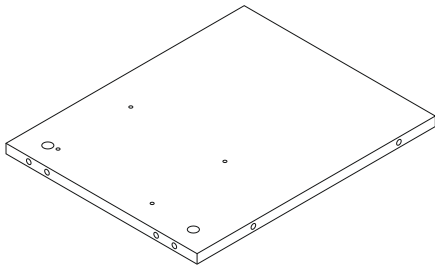
18.35.1002.023x1

18.35.1002.024x1

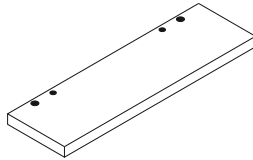
18.35.1002.027x2

18.35.1002.026x2

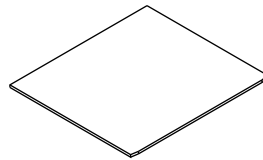
18.35.1002.025x2



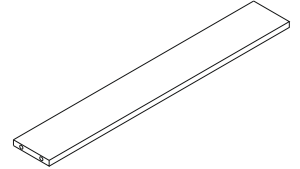
18.35.1002.021x1



18.35.1002.022x1

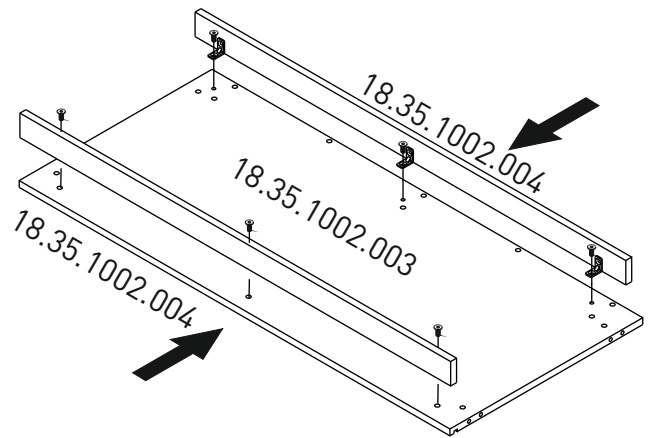
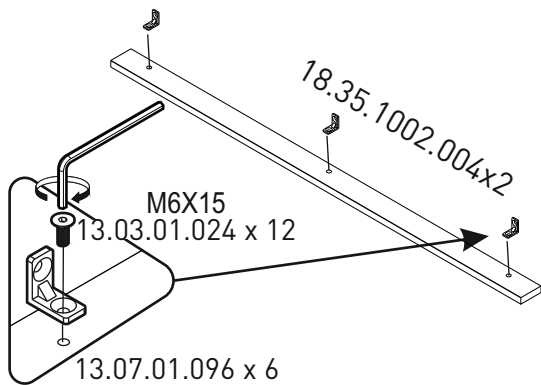


18.35.1002.029x2

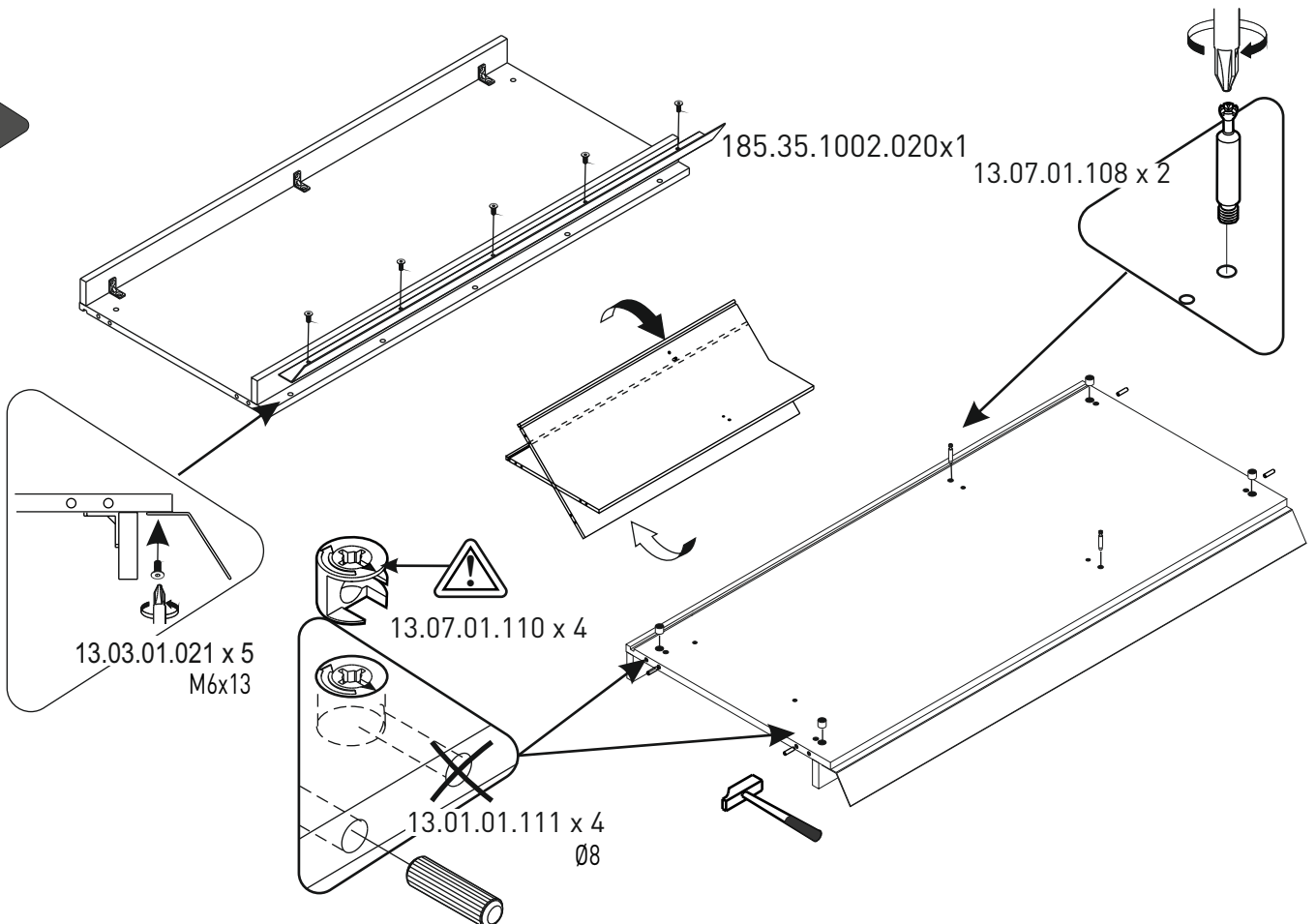


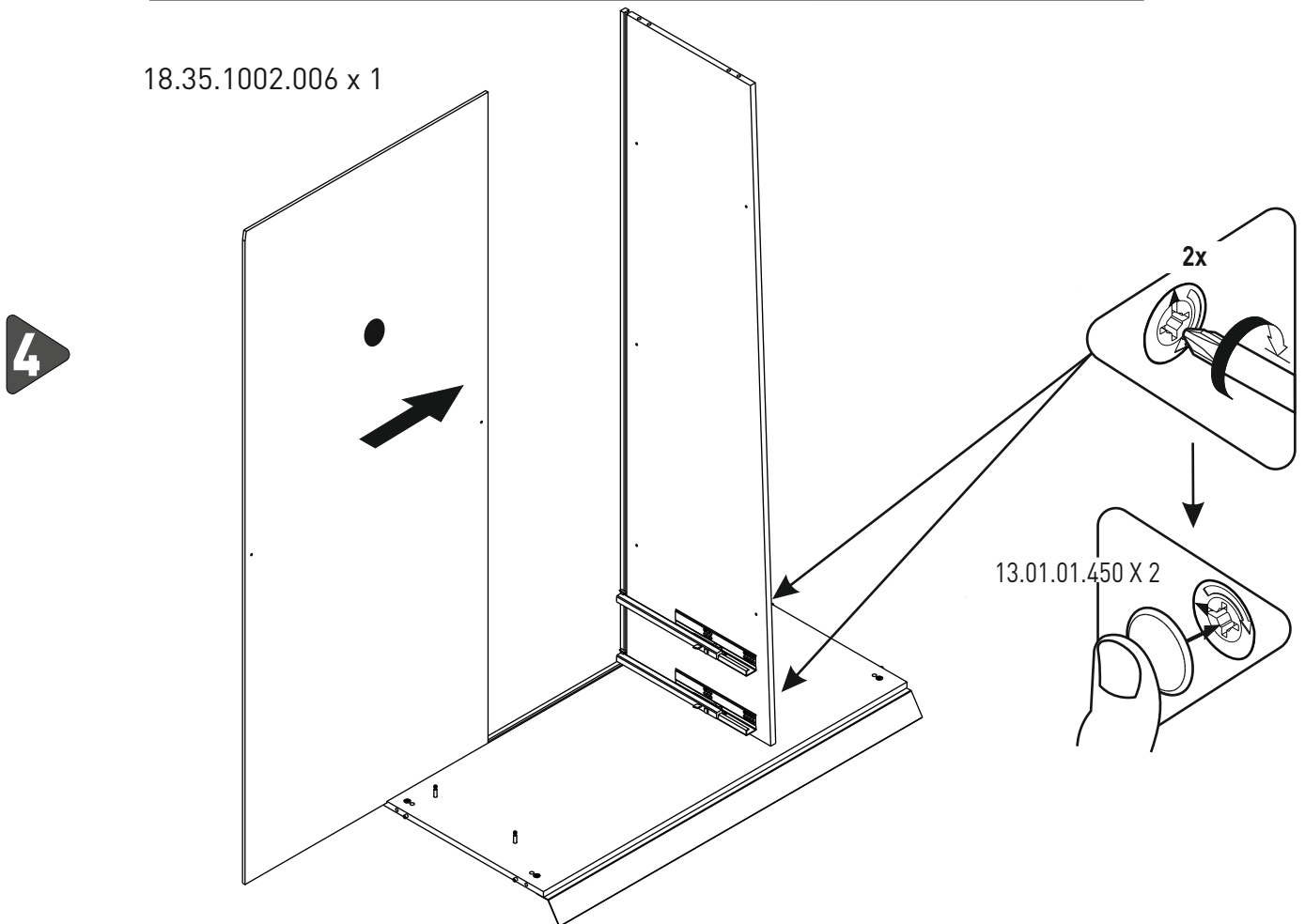
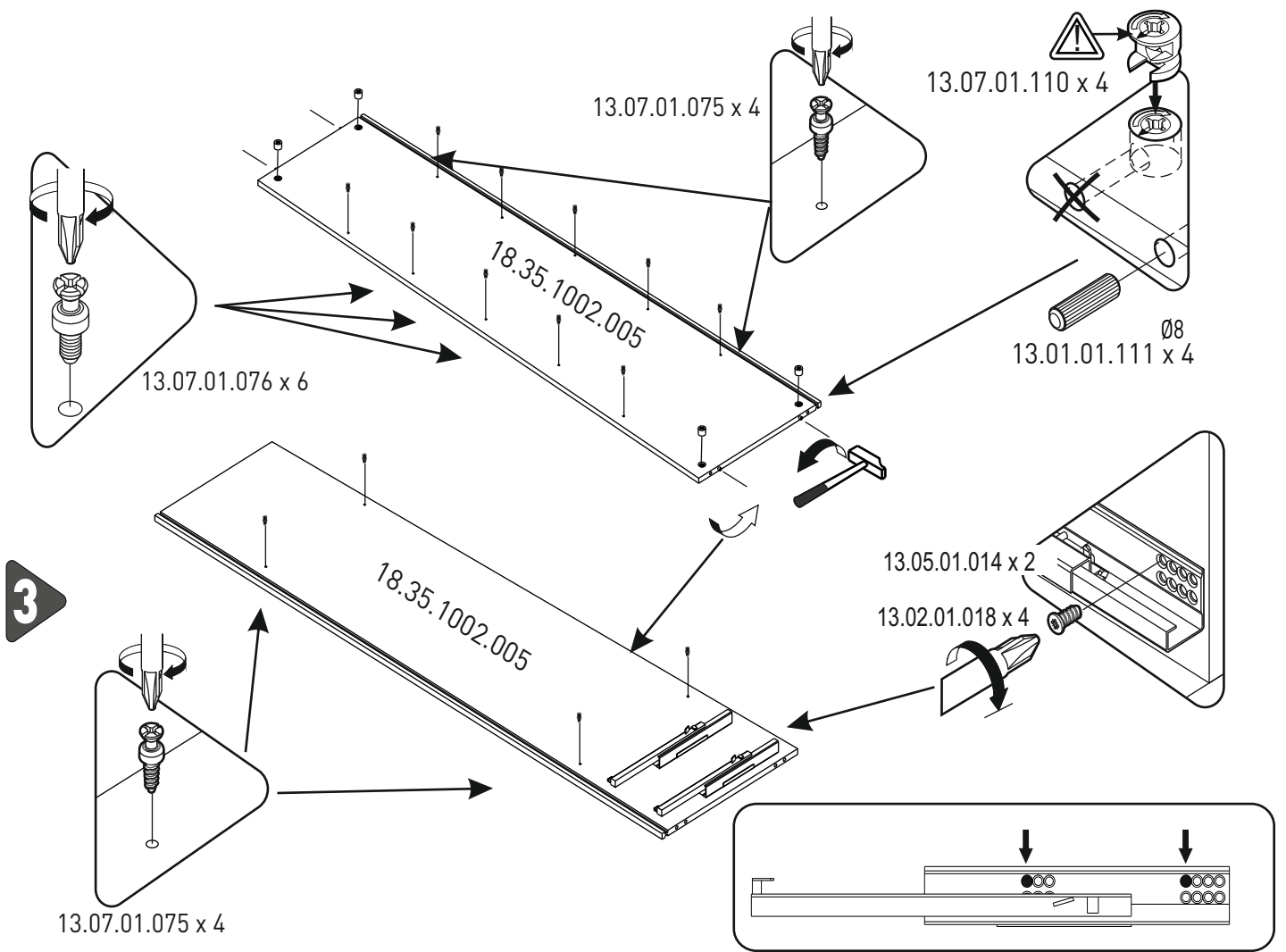
18.35.1002.028x2

1

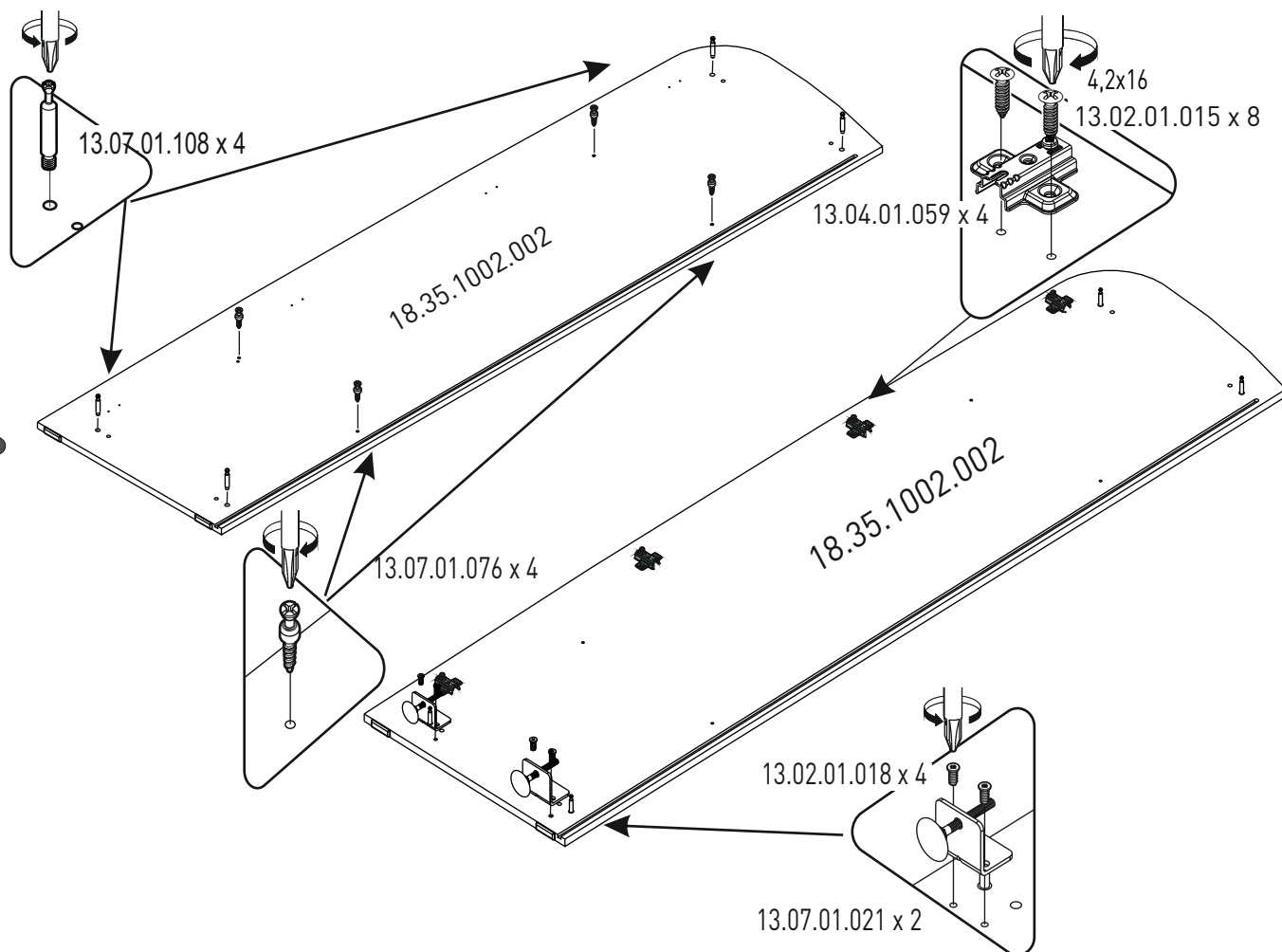


2

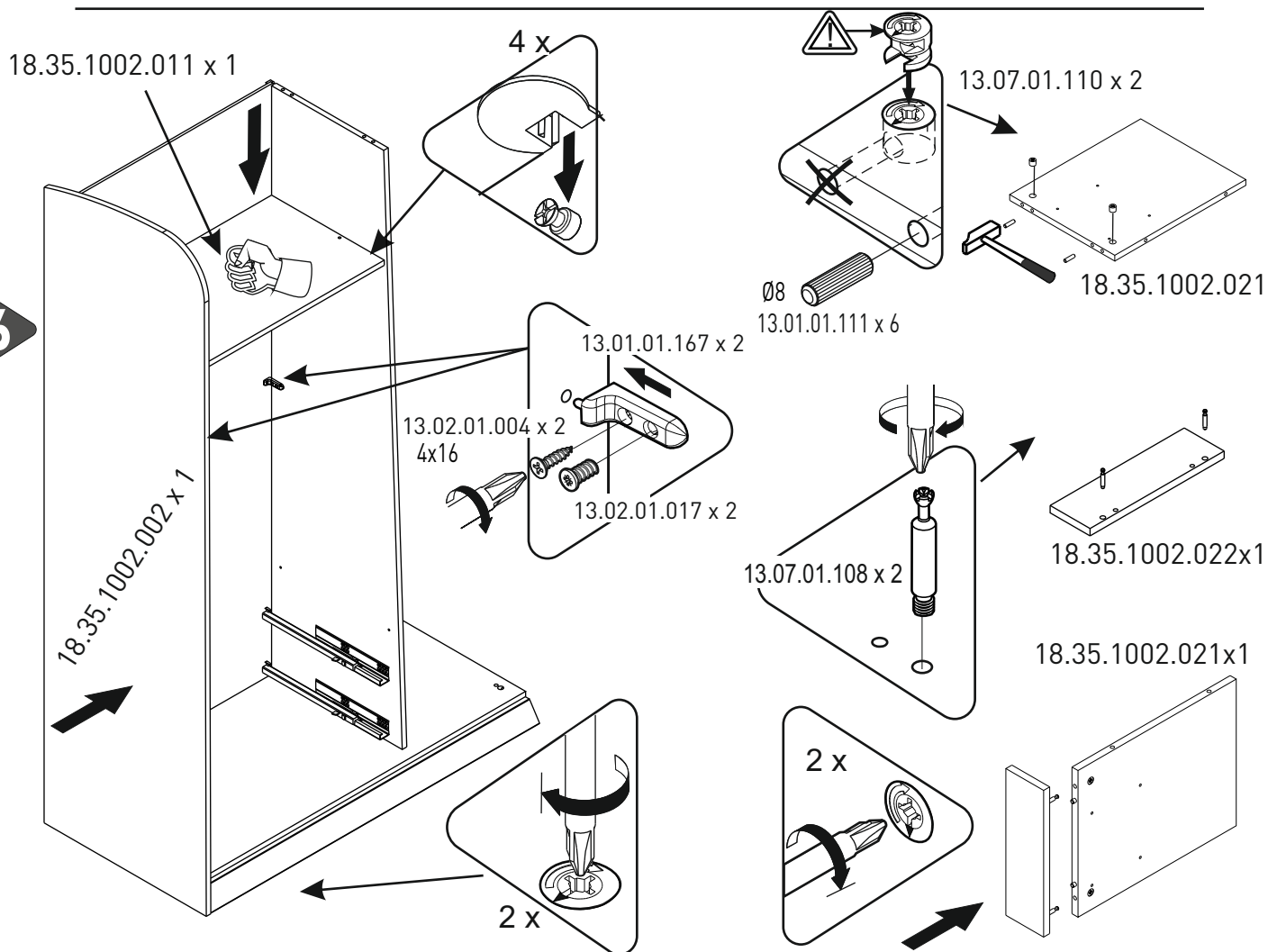




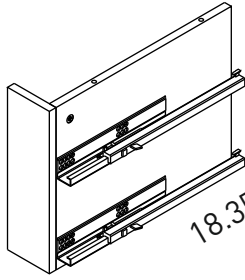
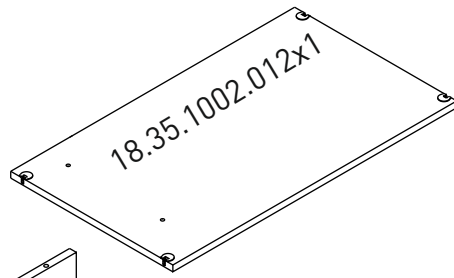
5



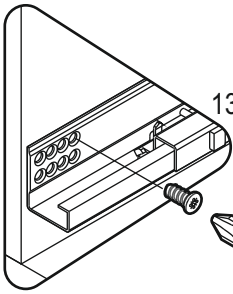
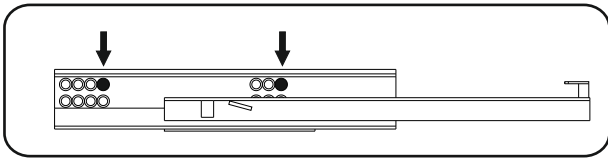
6



7

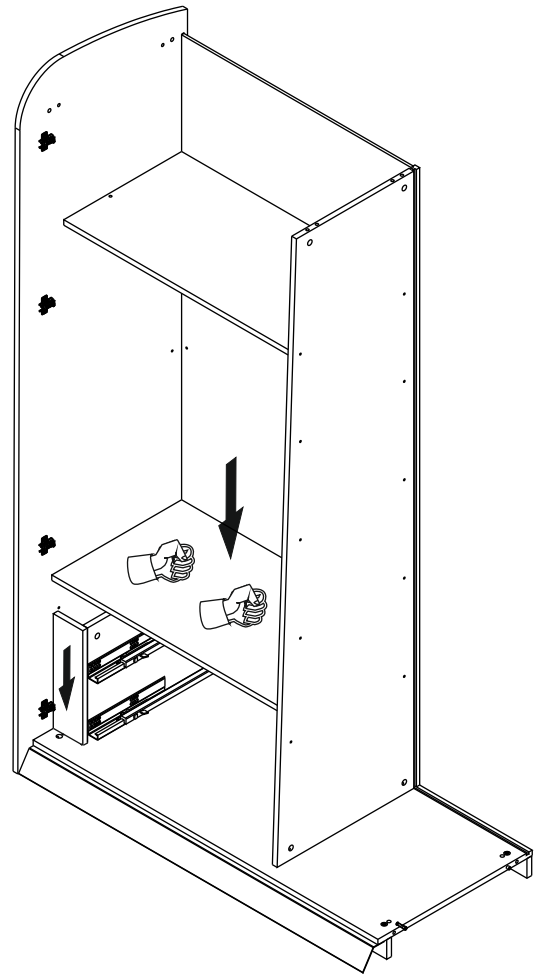


18.35.1002.012 x 1

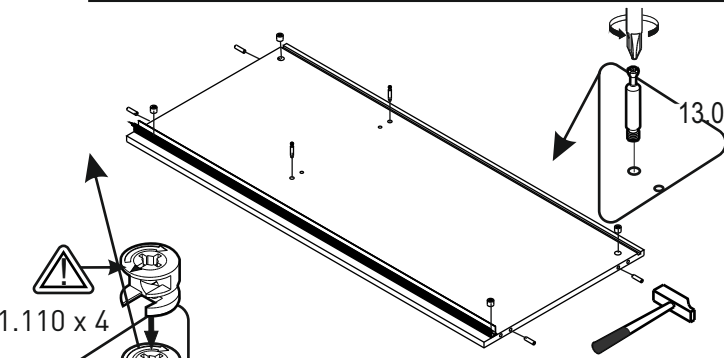


13.05.01.015 x 2

13.02.01.018 x 4



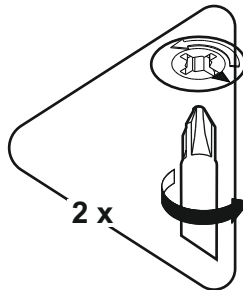
8



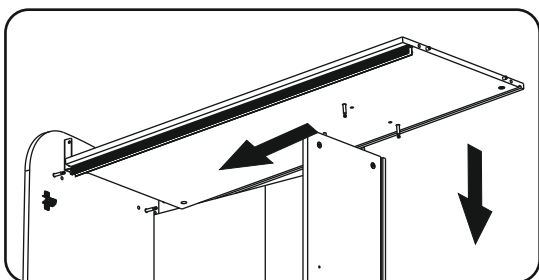
13.07.01.108 x 2

13.07.01.110 x 4

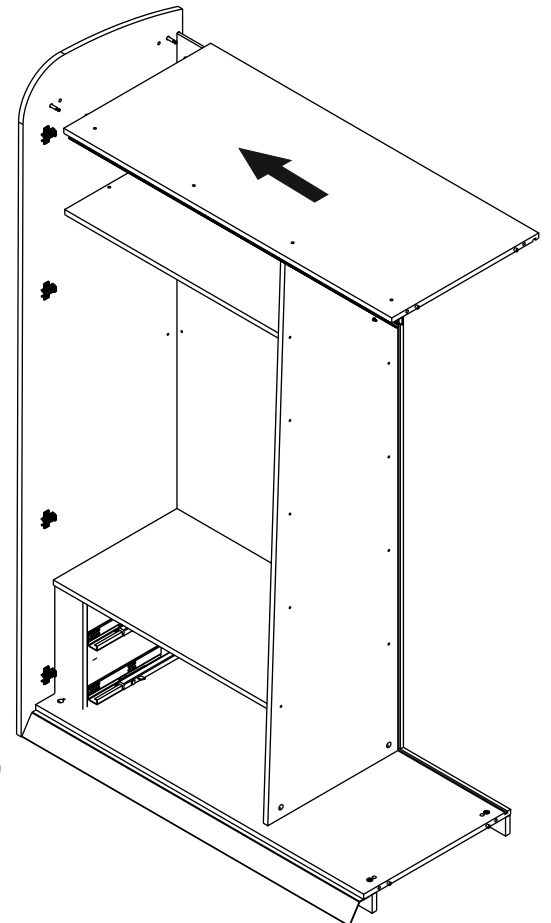
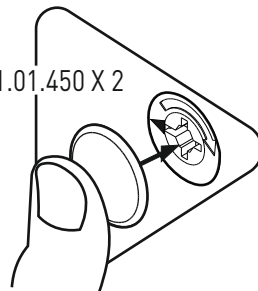
13.01.01.111 x 4



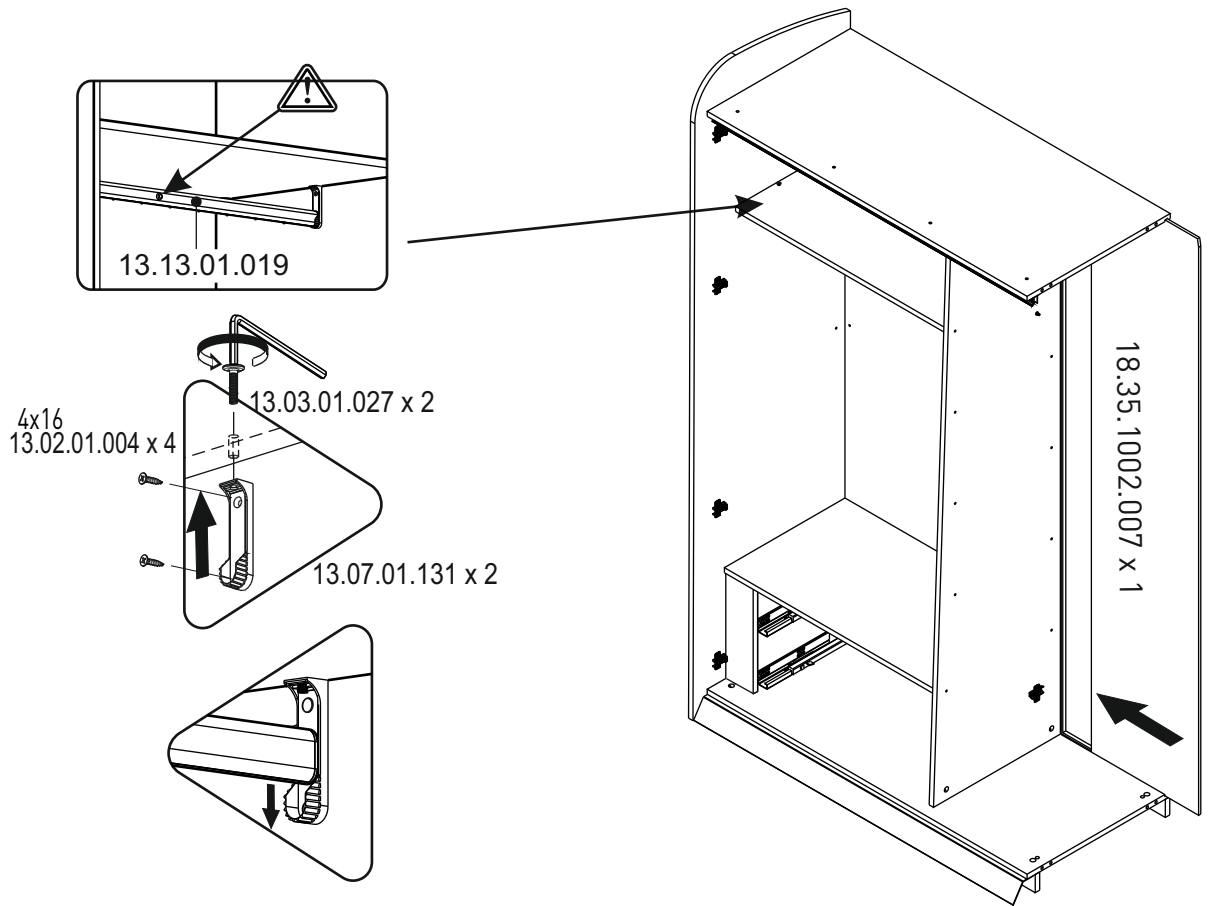
2 x



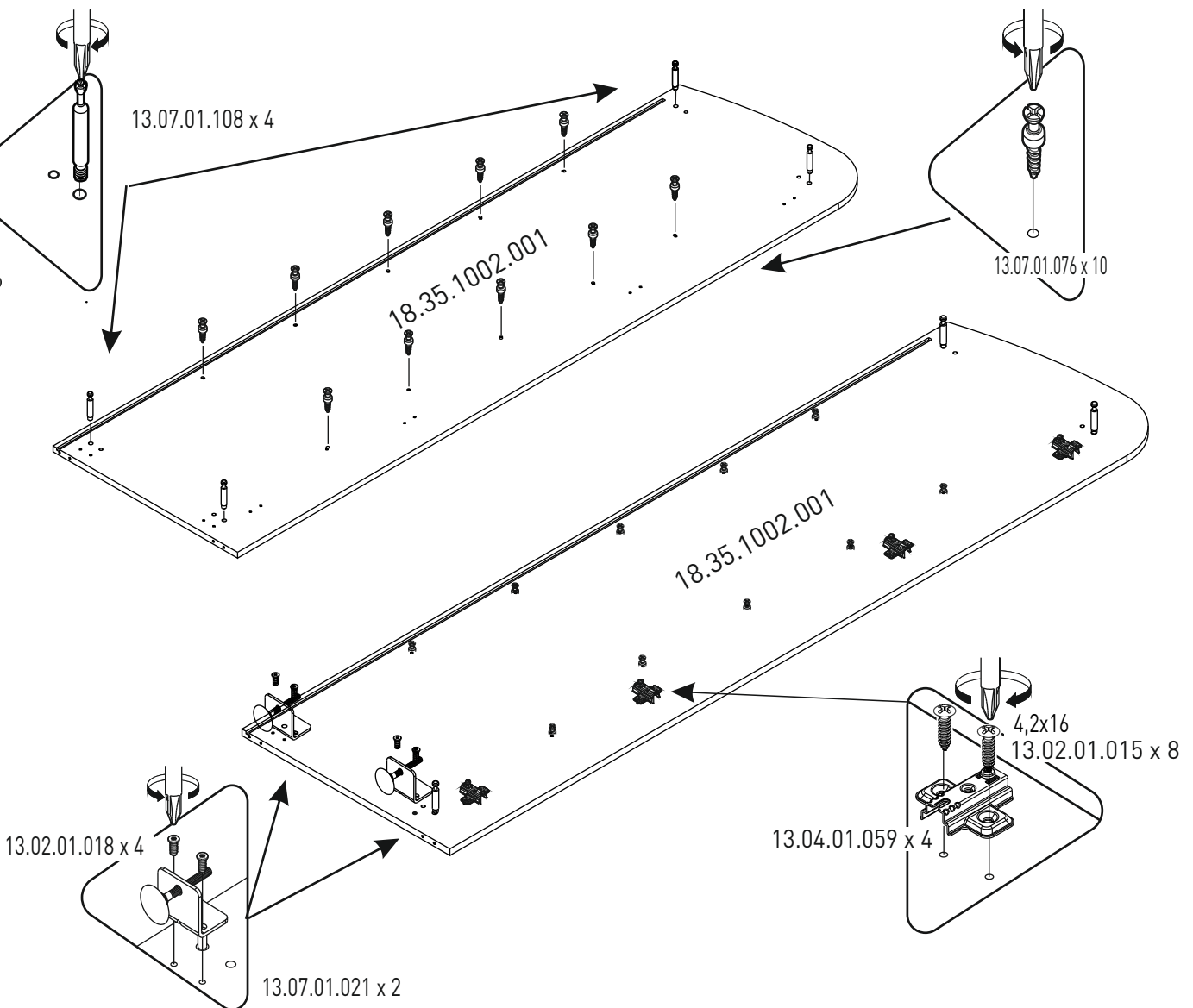
13.01.01.450 x 2

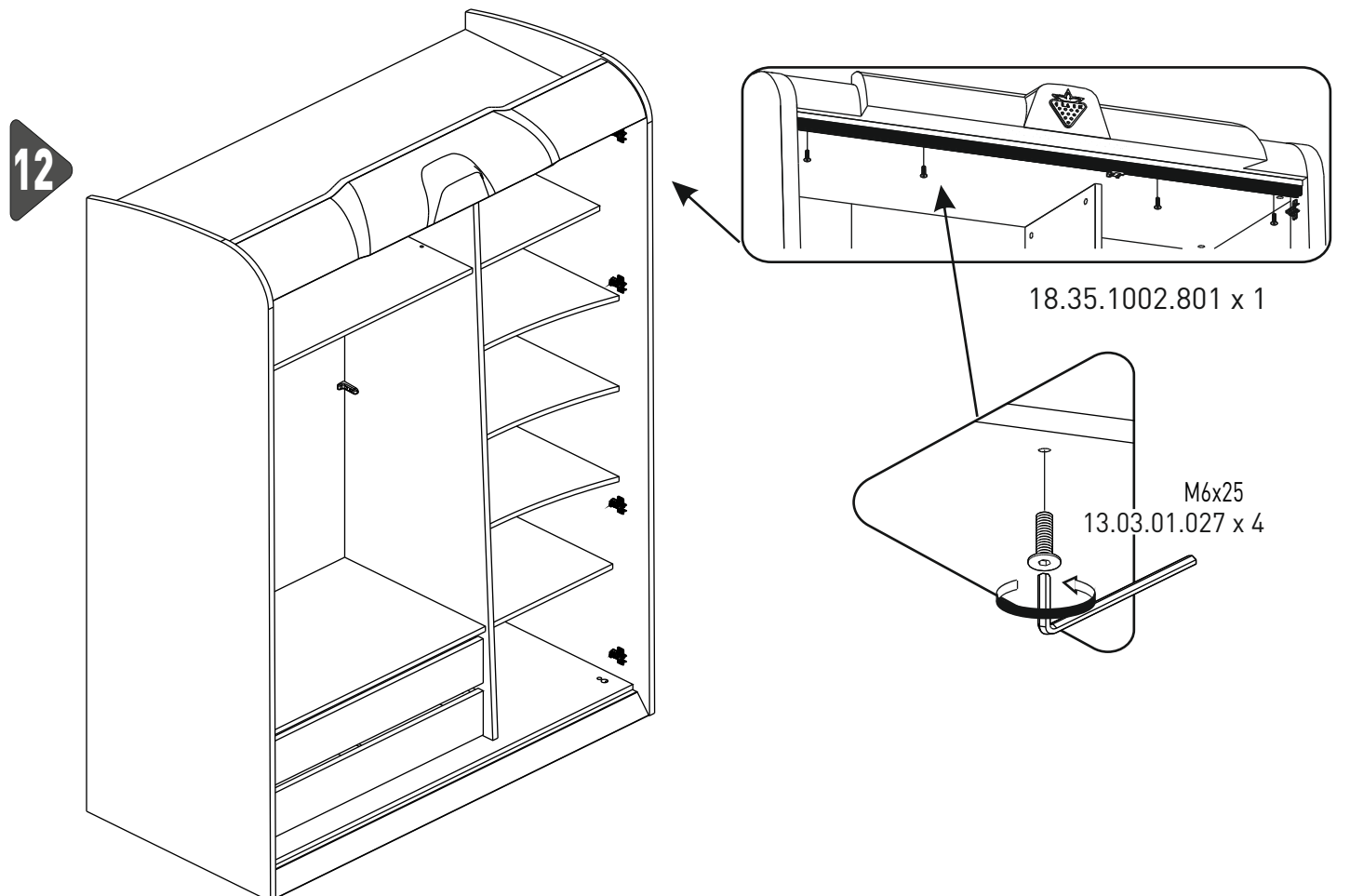
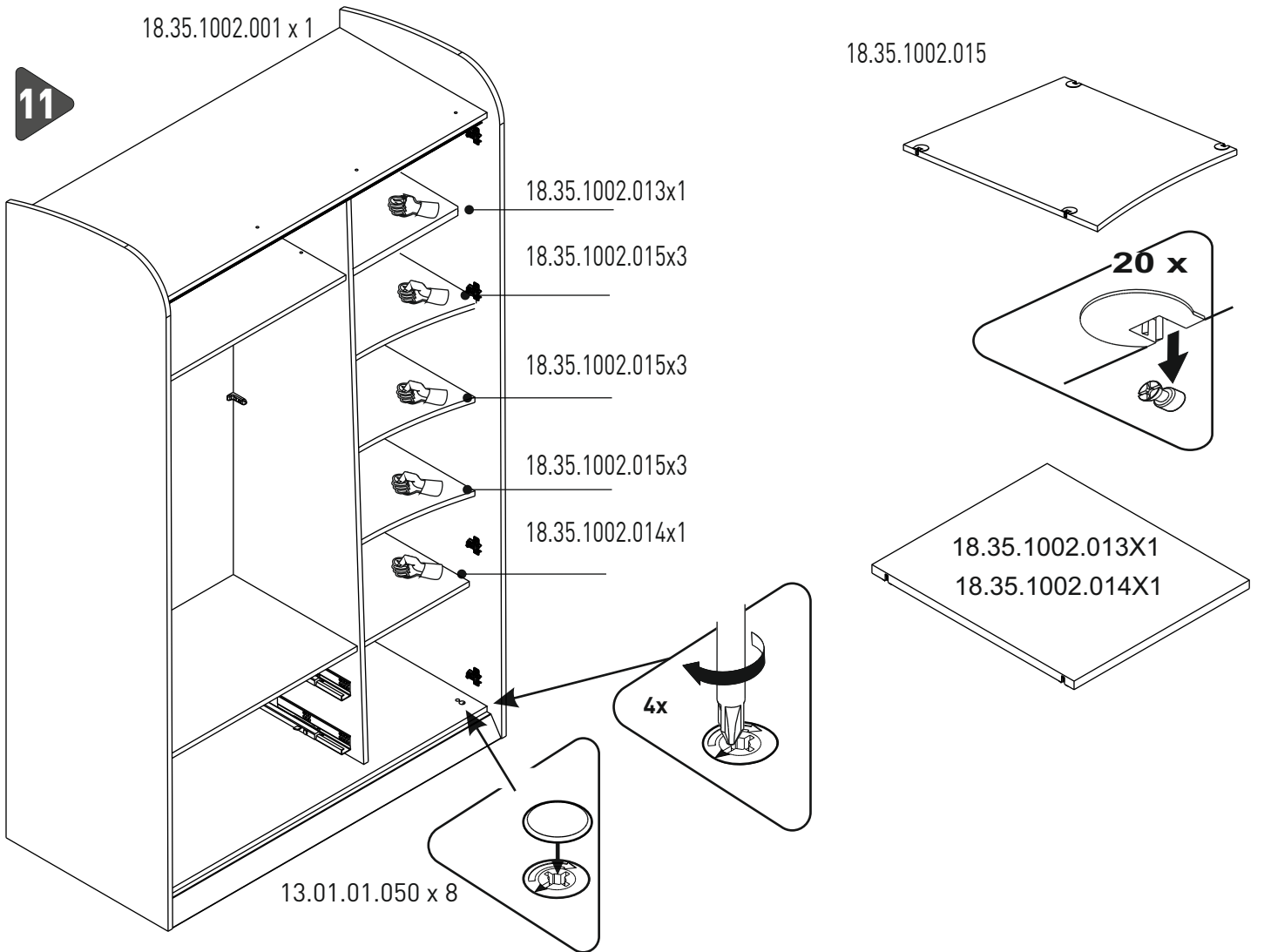


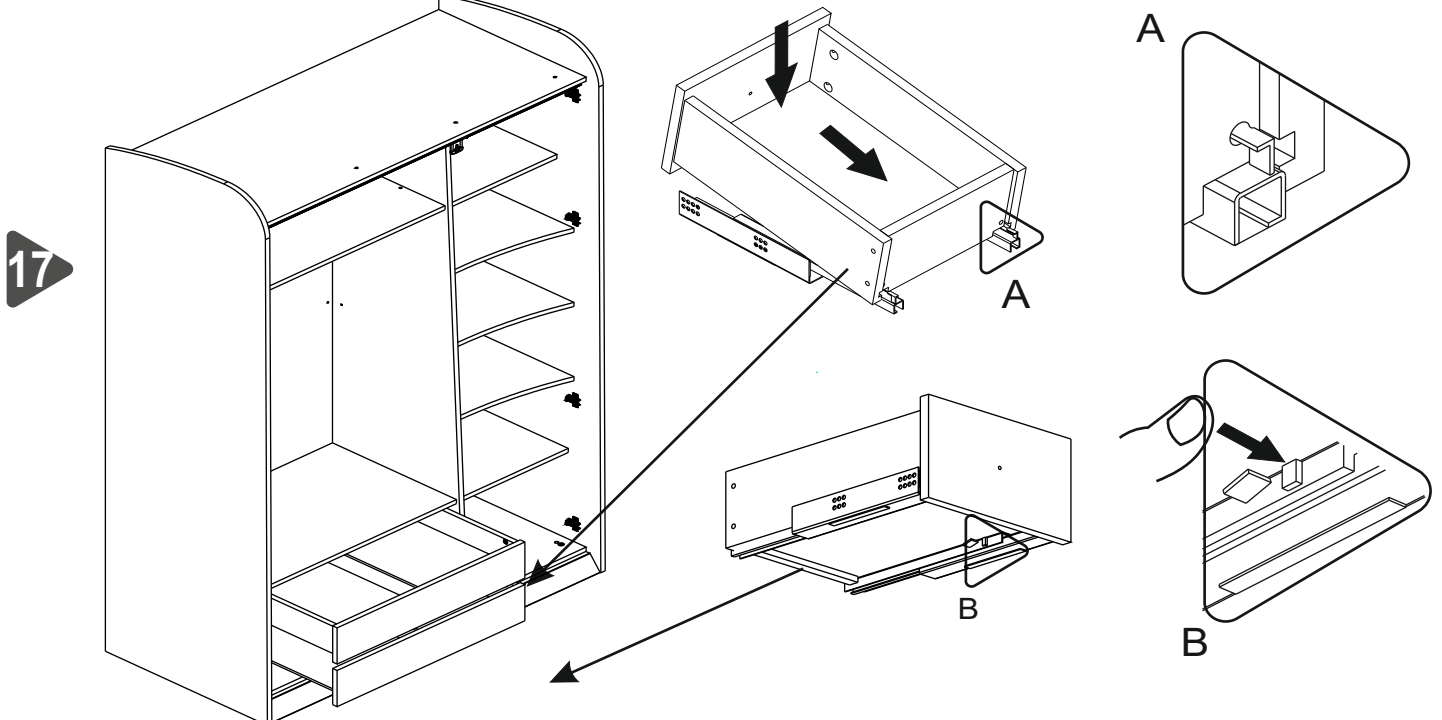
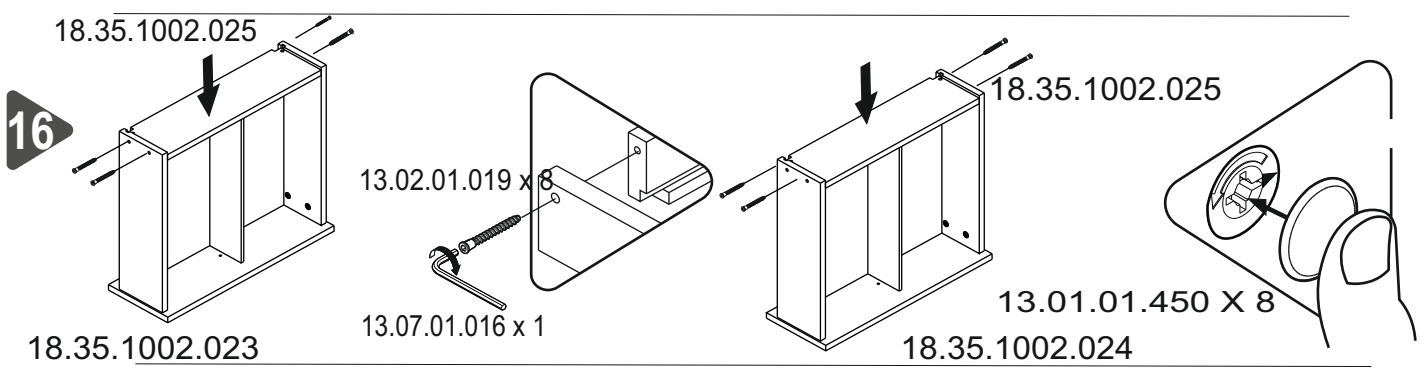
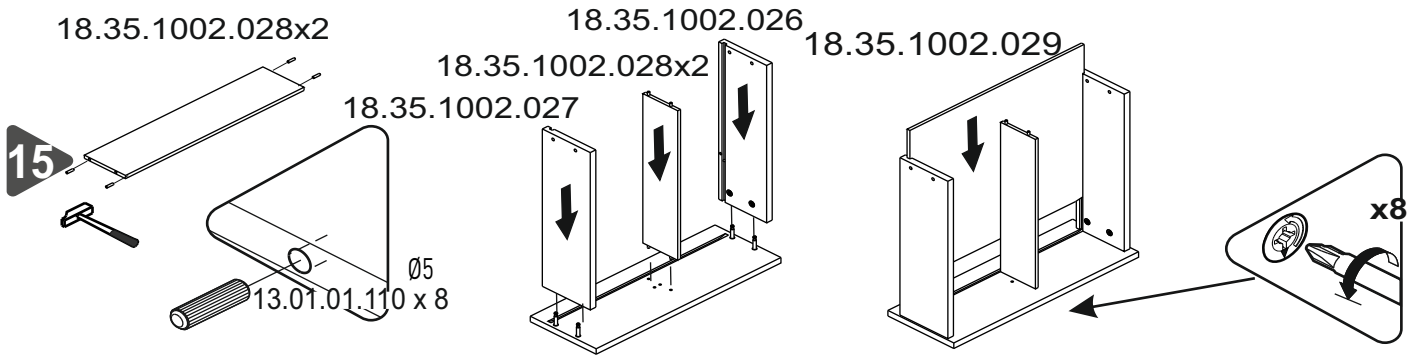
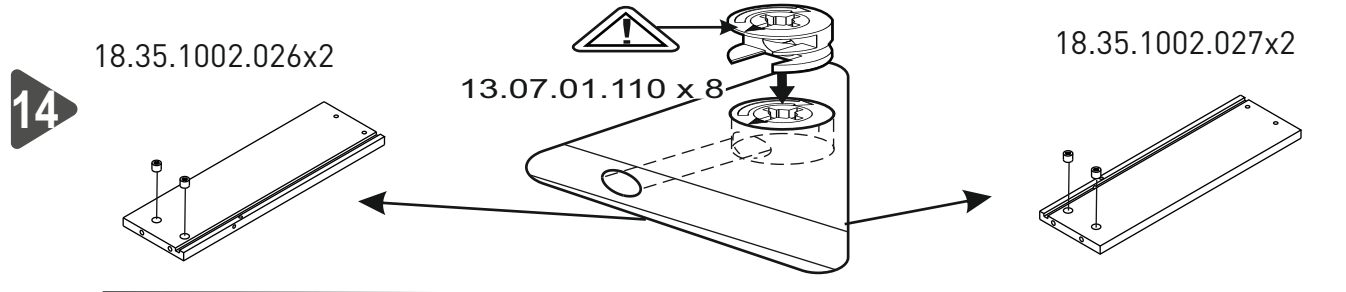
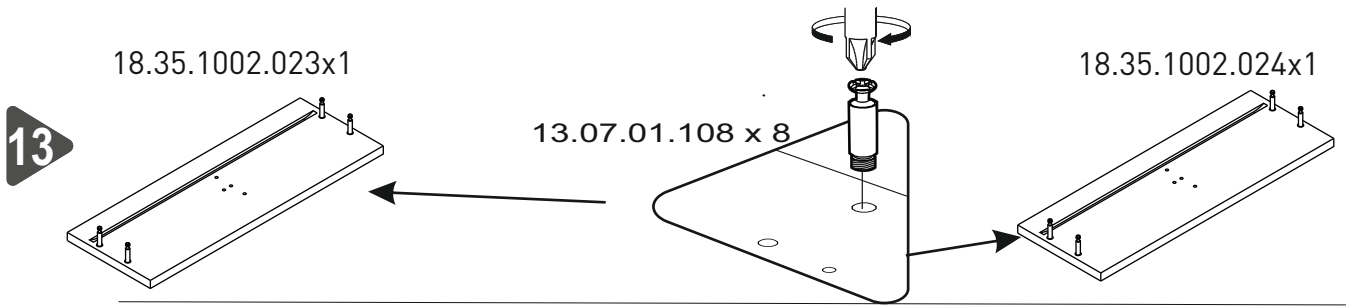
9



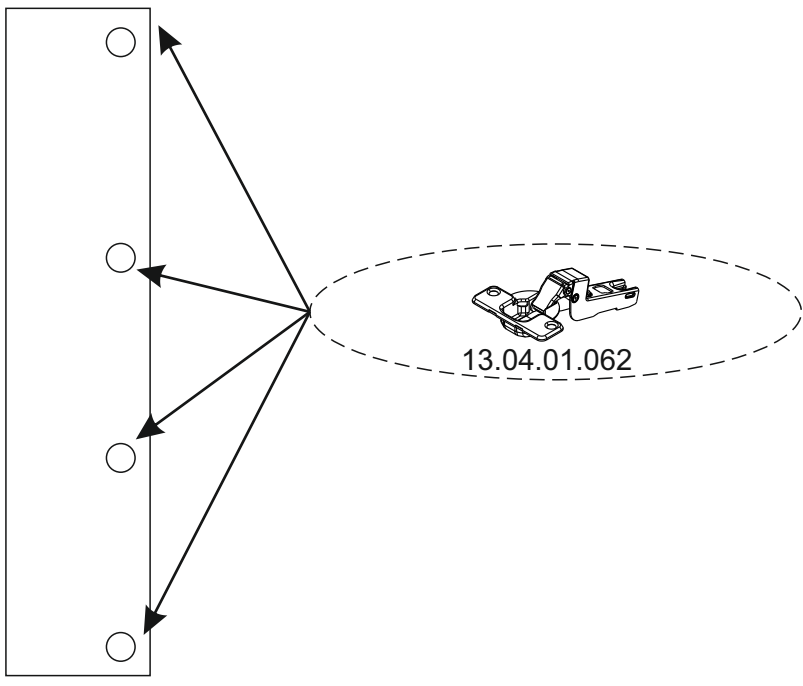
10



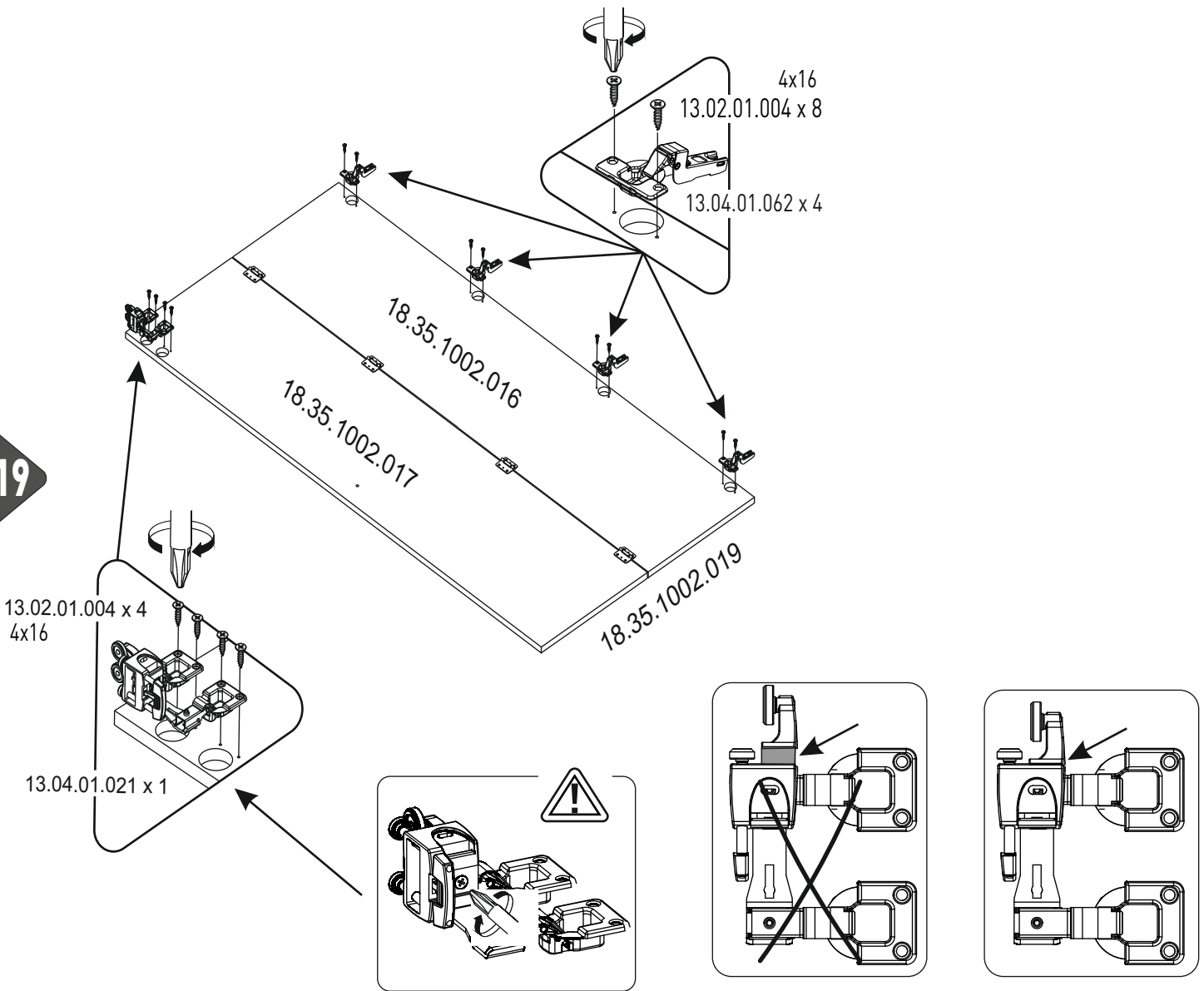




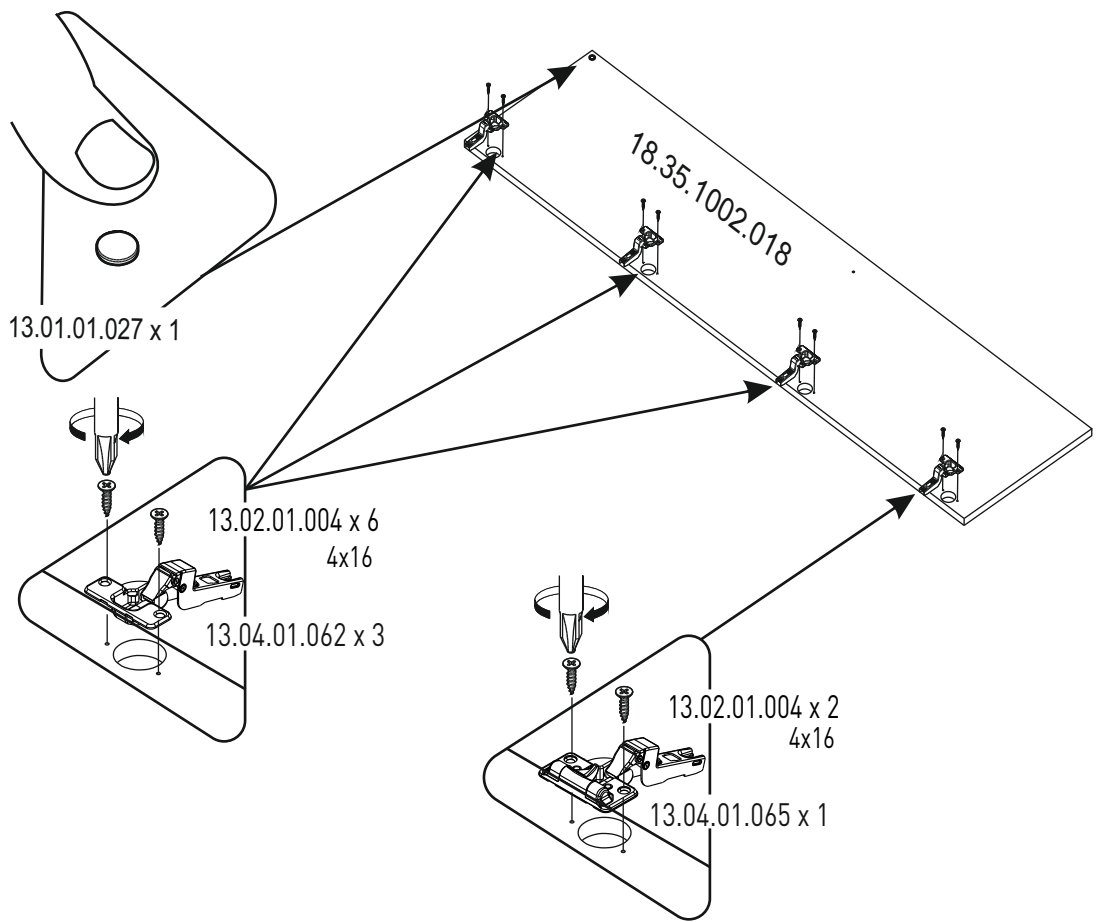
18



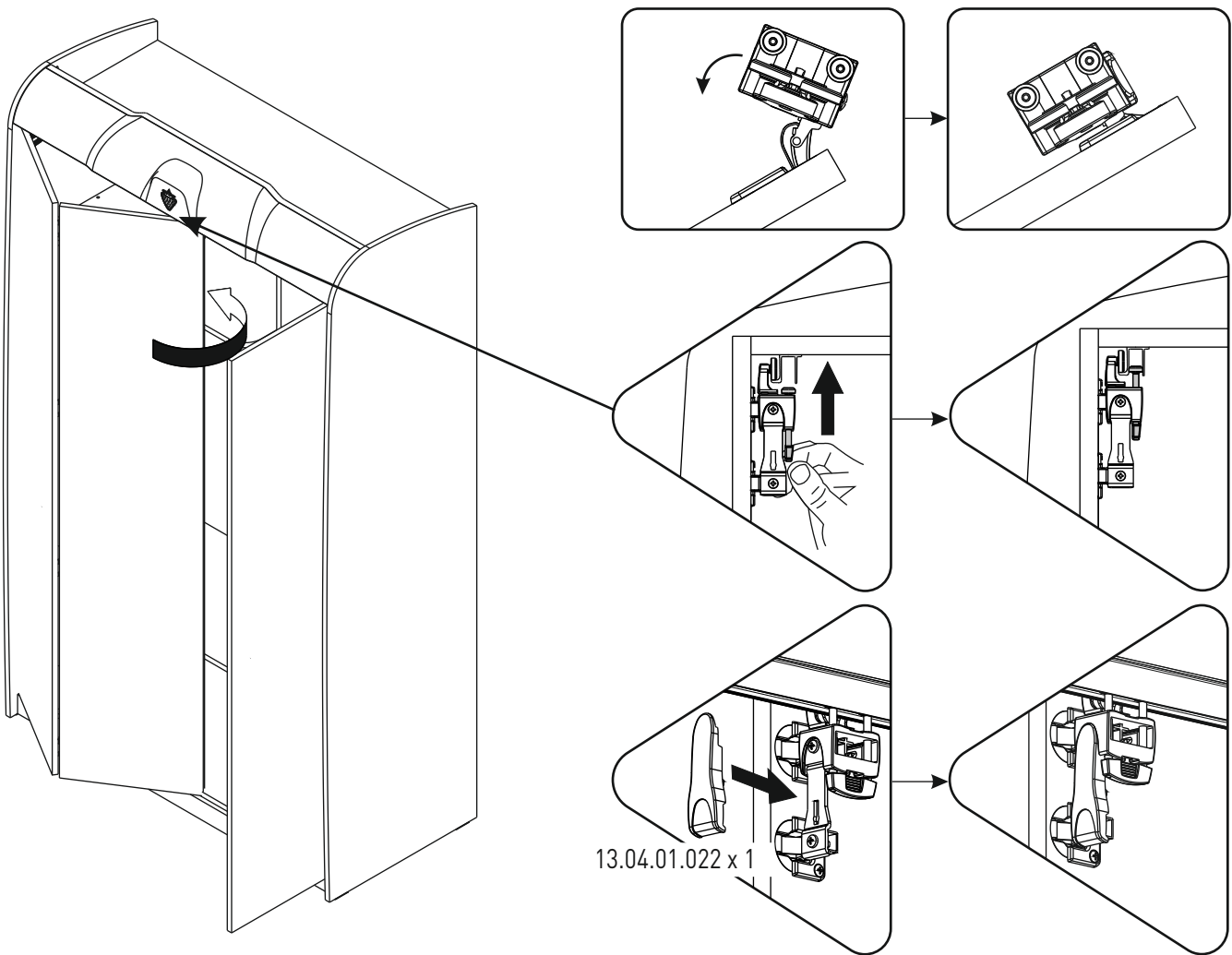
19



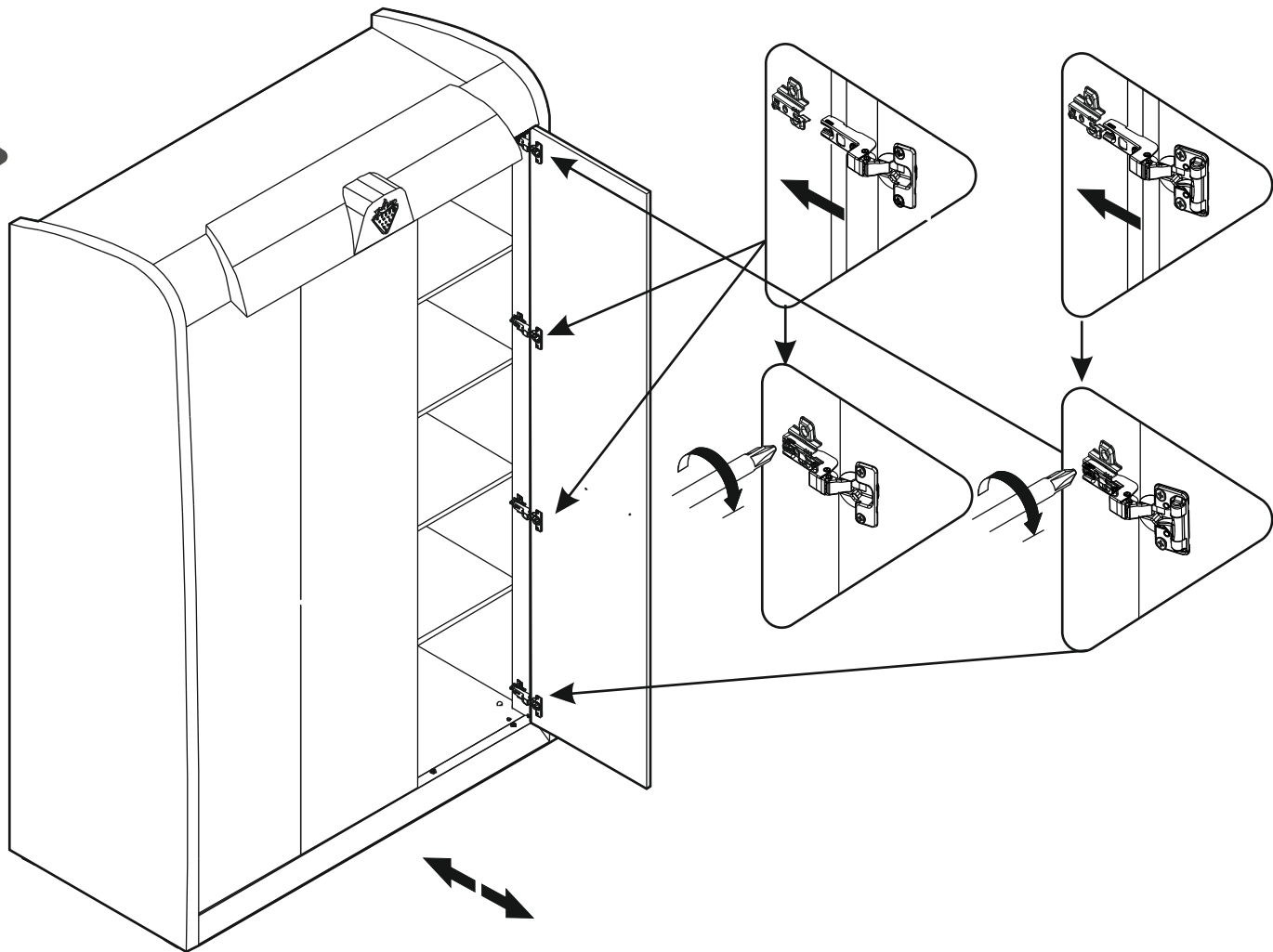
19



20



21



22

