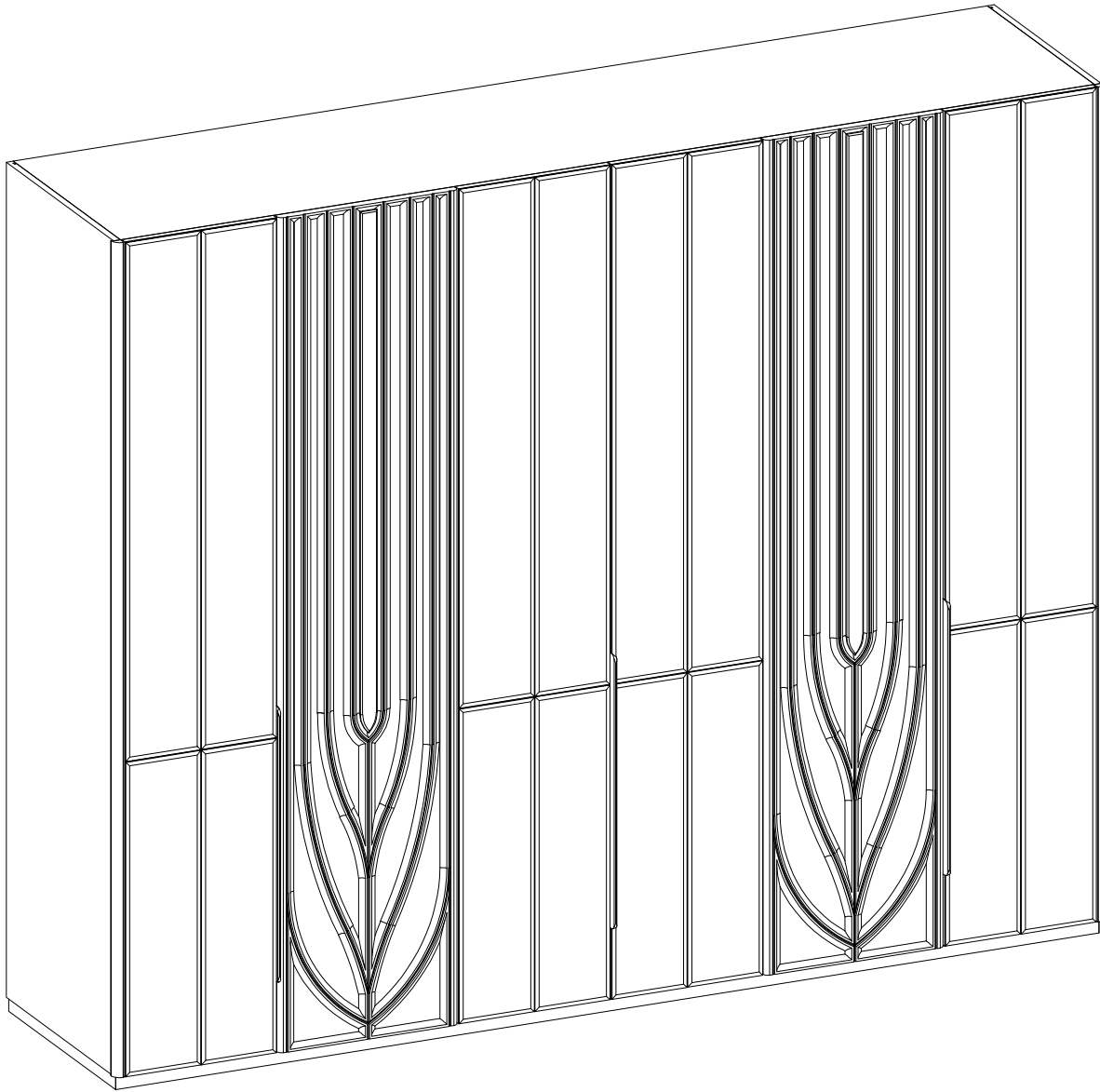
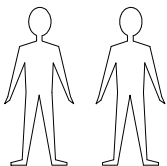


VALS

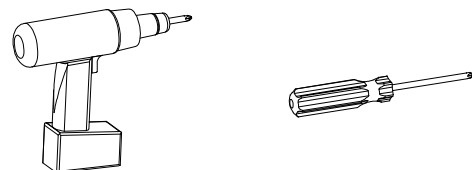
WARDROBE

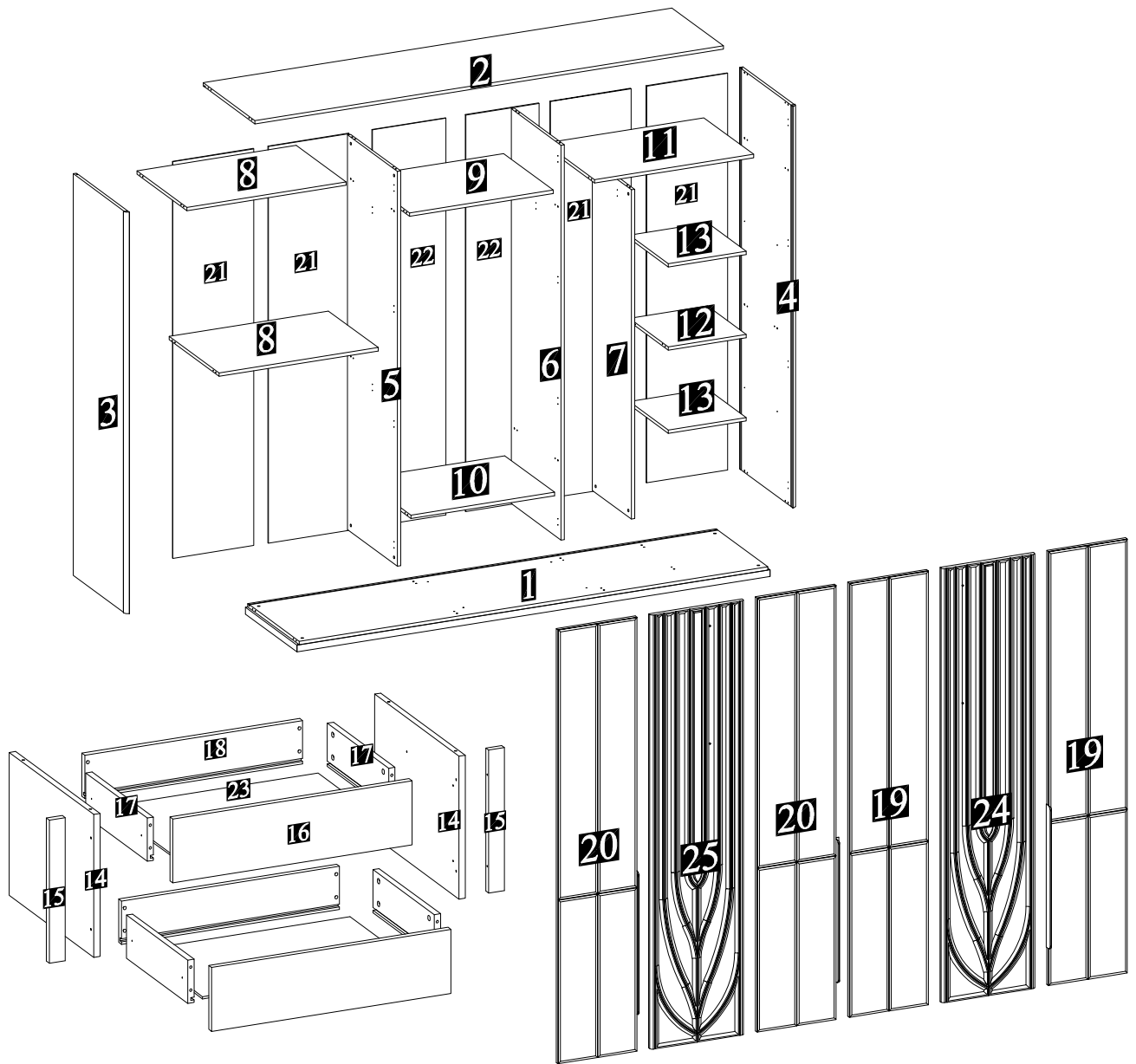


Requerid



Tools Needed

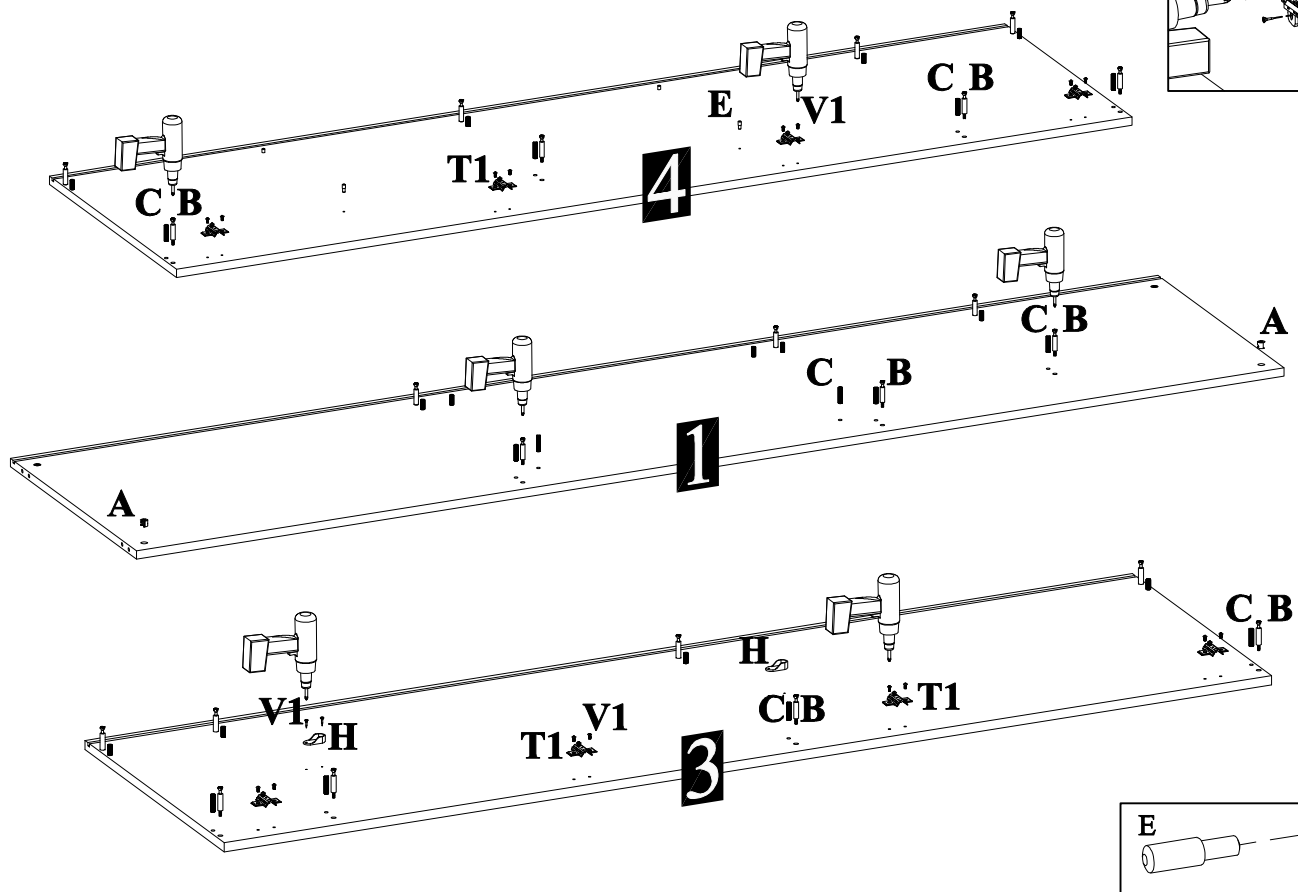




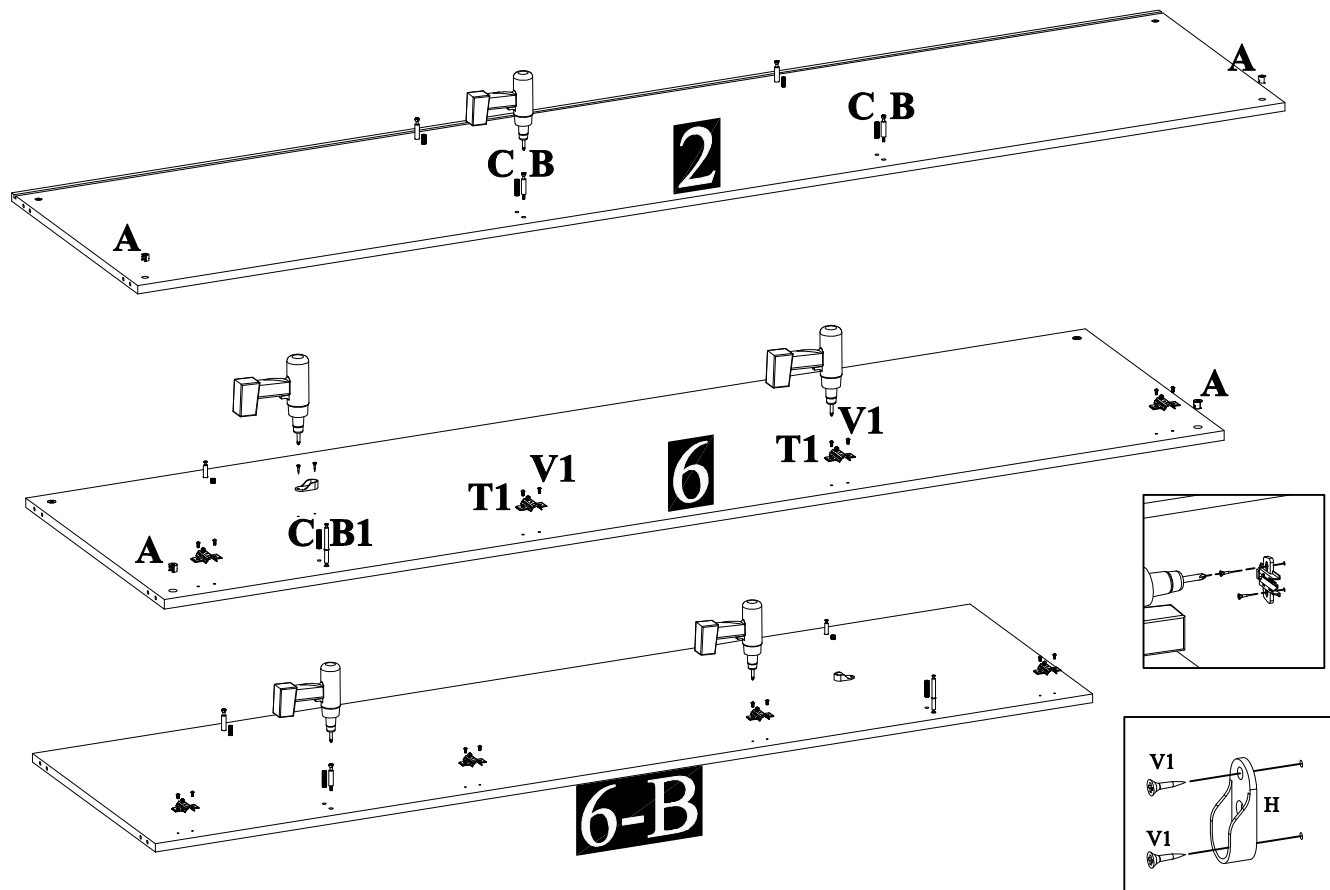
Hardware supplied for assembly

A	B	D	C	V1	V2	V3	KV4	E	F	H
60	56	60	52	89	24	40	6	24	40	8
						3				
						L				
	M3	FM3	M2	FM2	B1	KV	T1	R3		
	4	4	8	8	2	4	24	2		

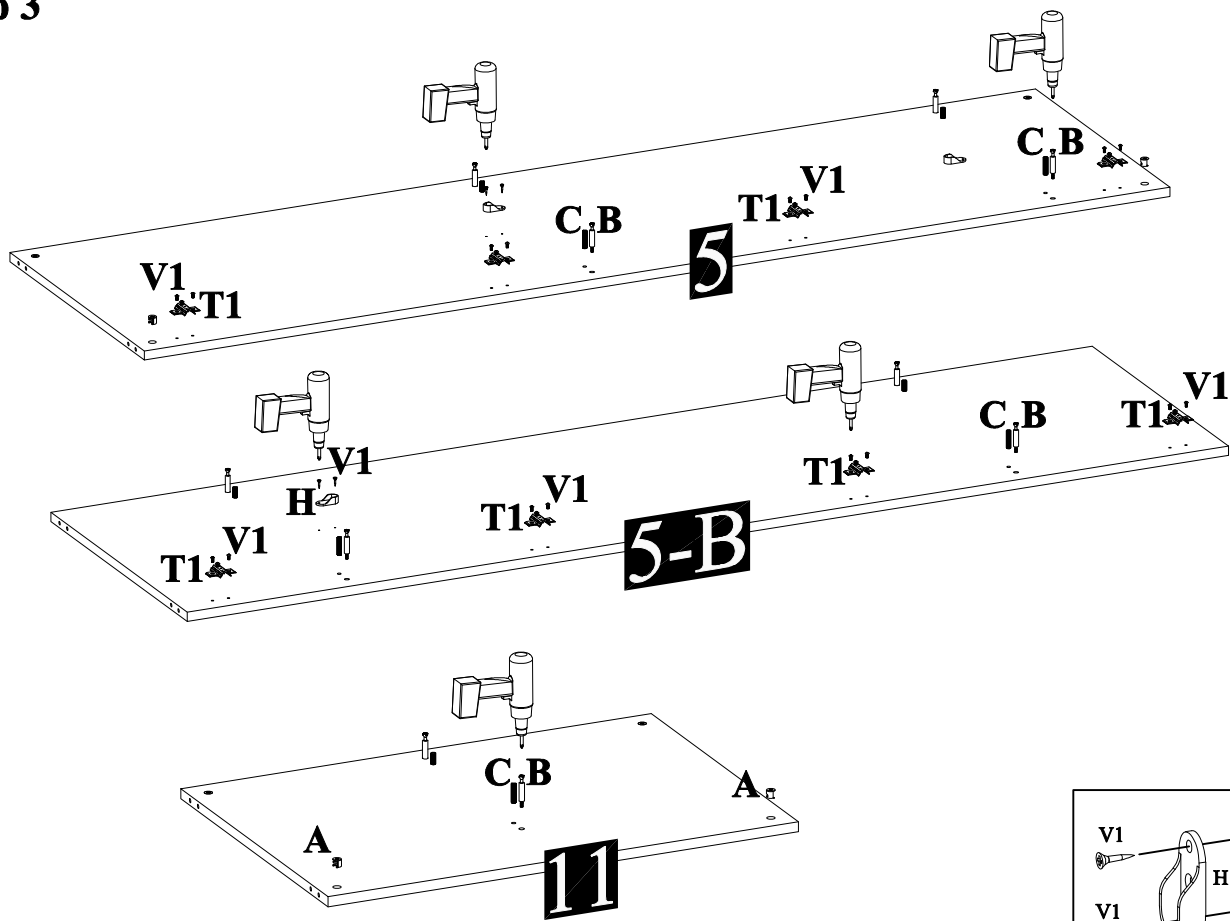
Step 1



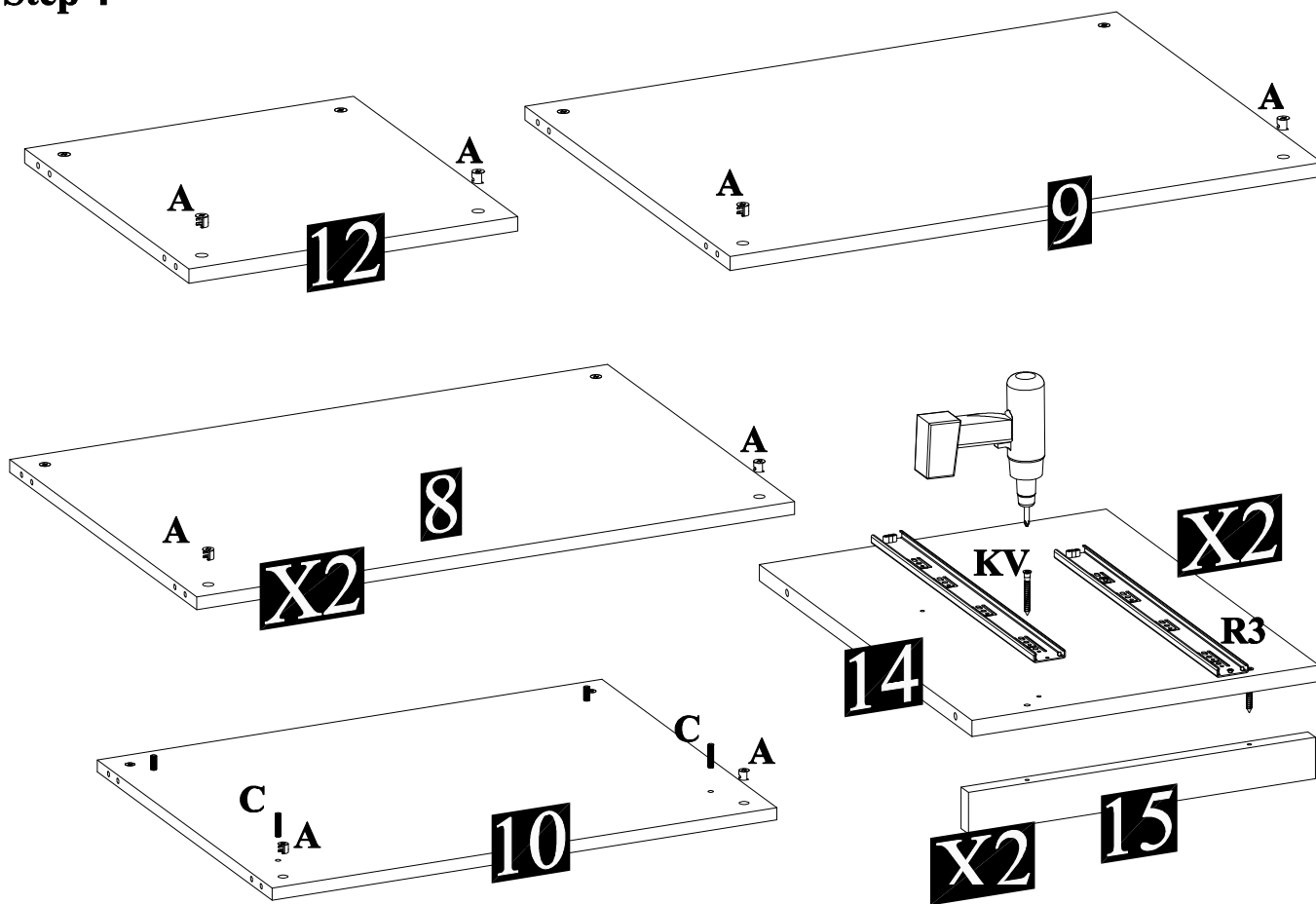
Step 2



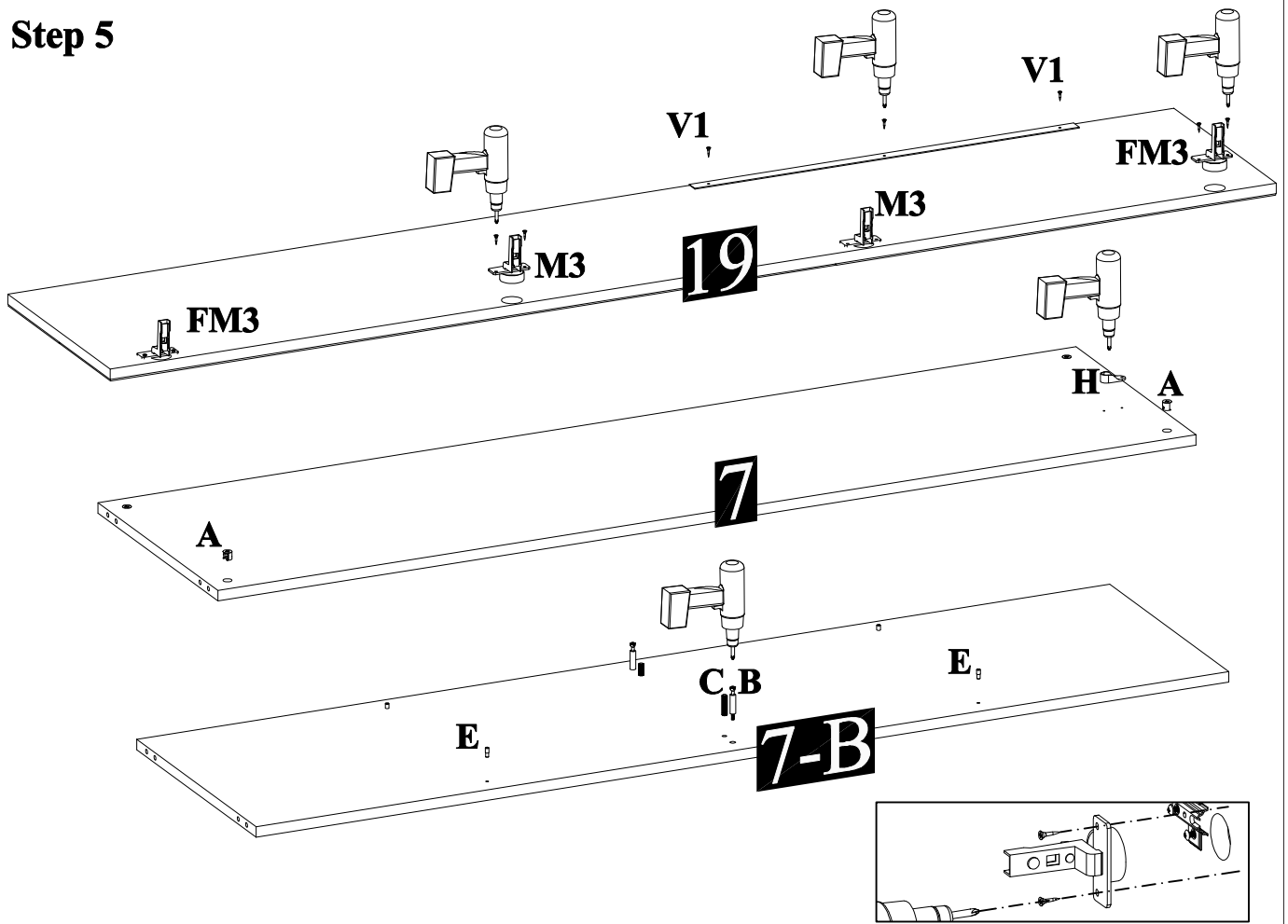
Step 3



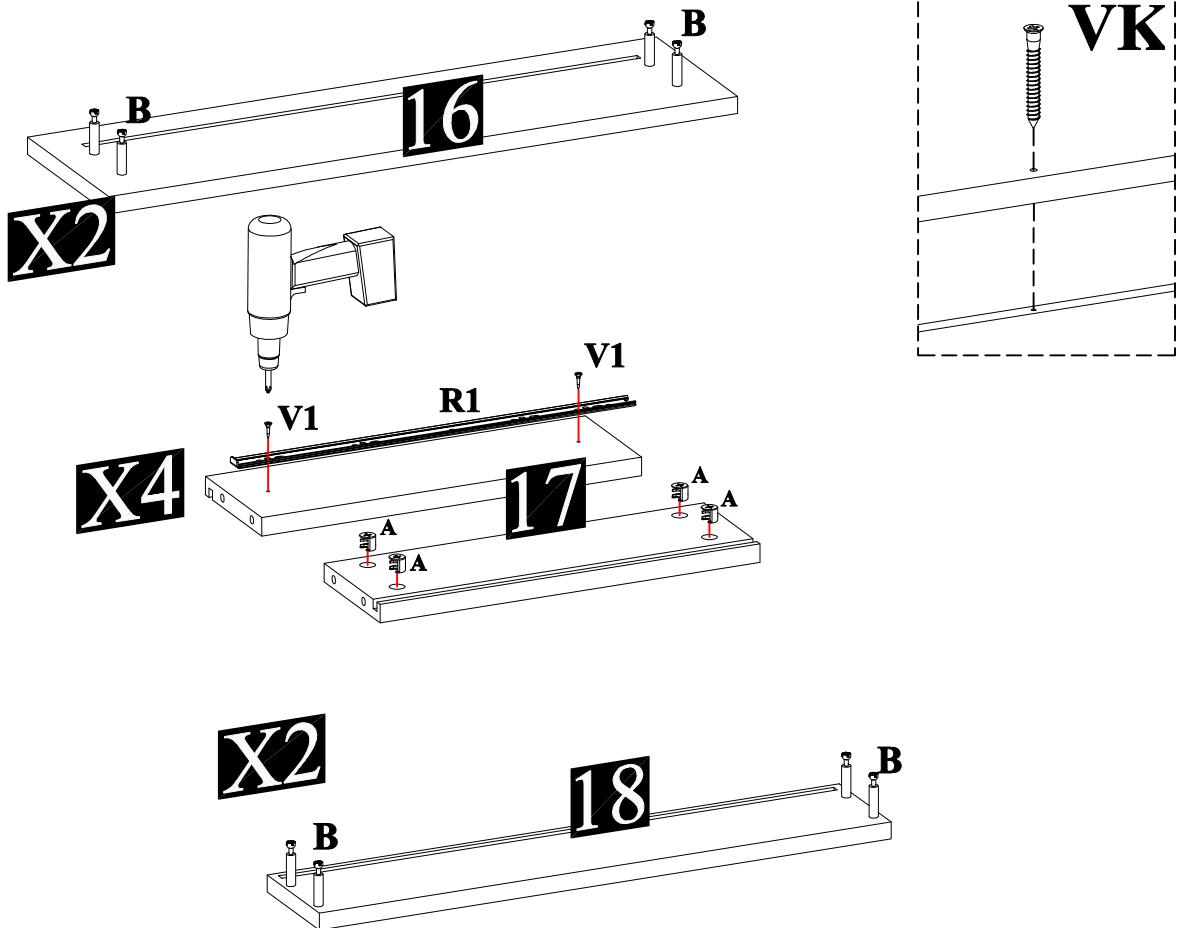
Step 4



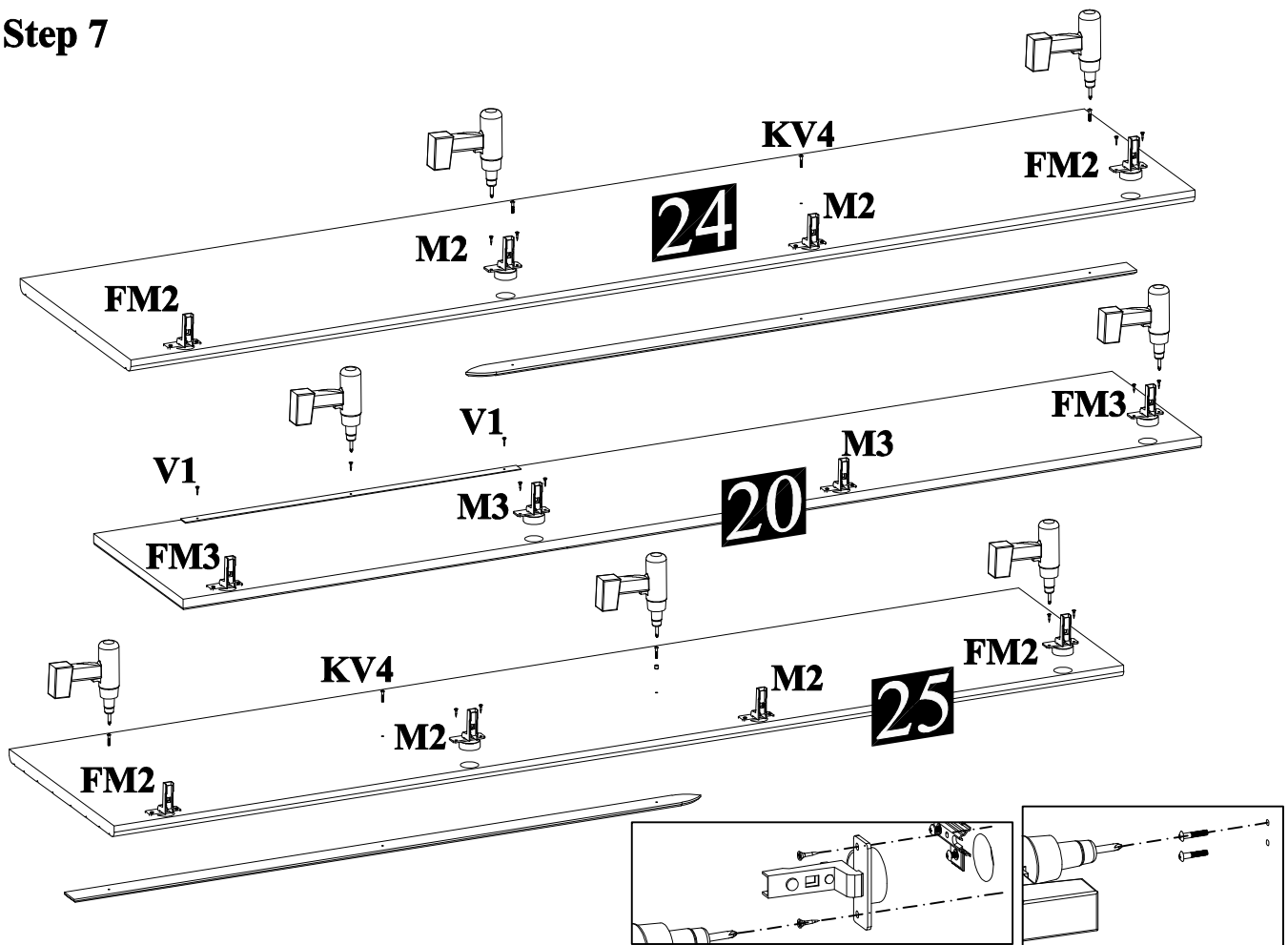
Step 5



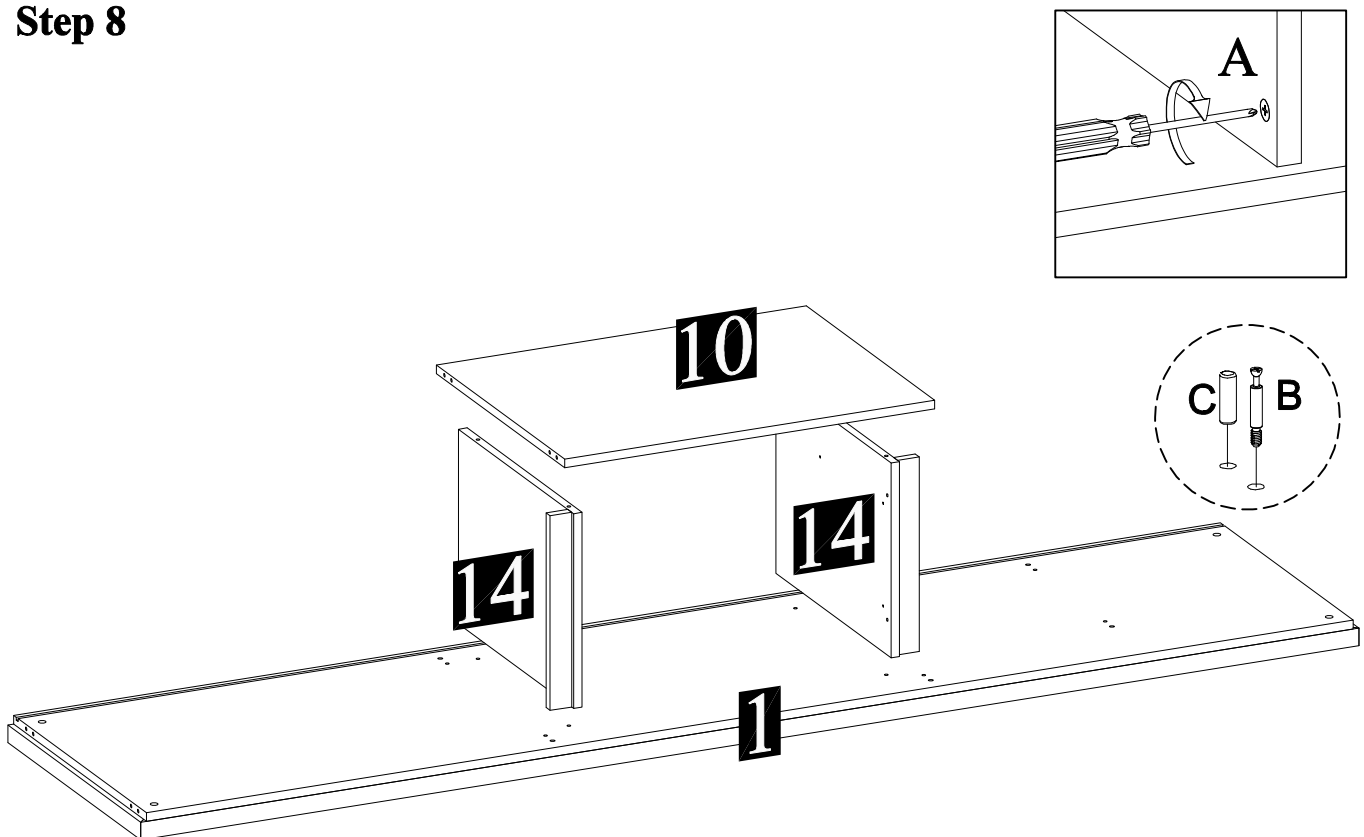
Step 6



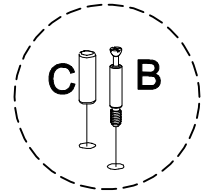
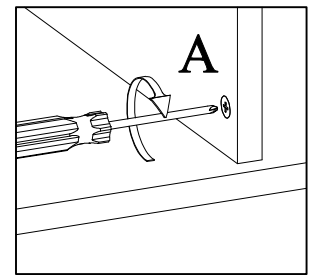
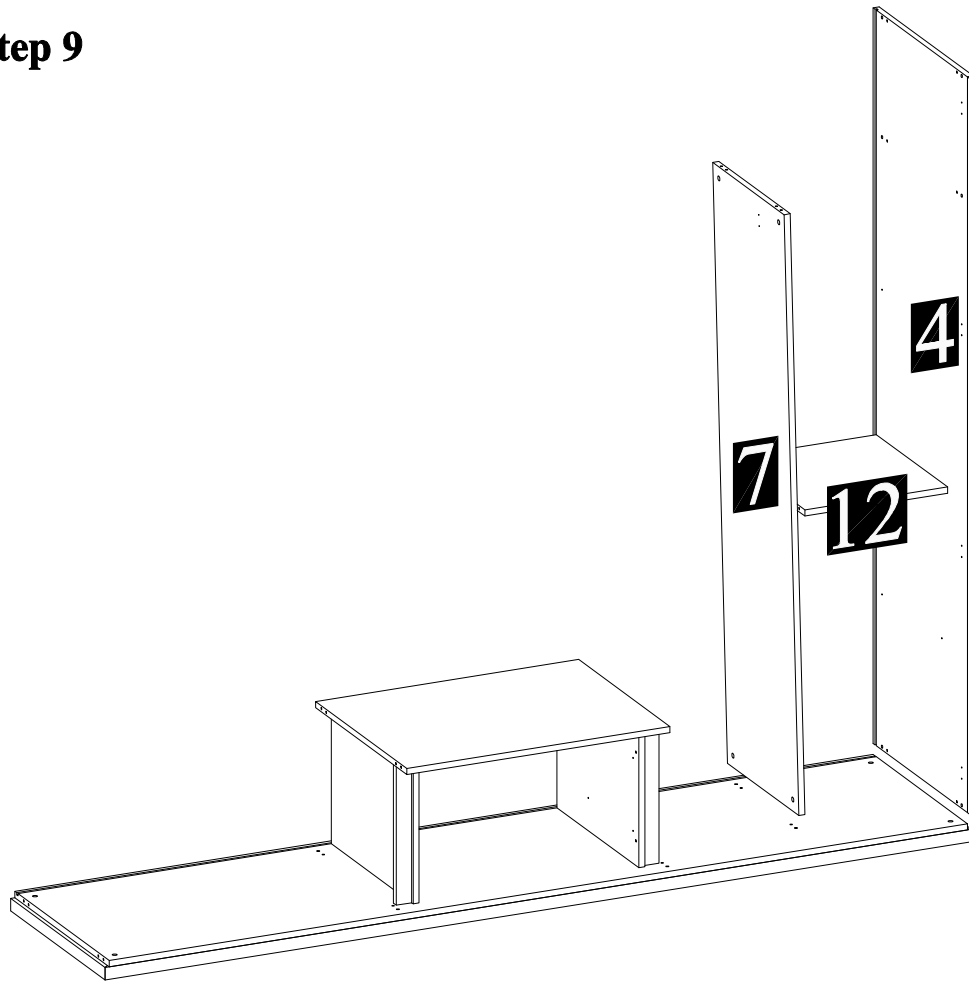
Step 7



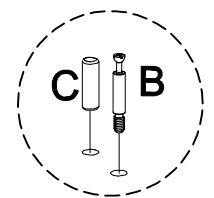
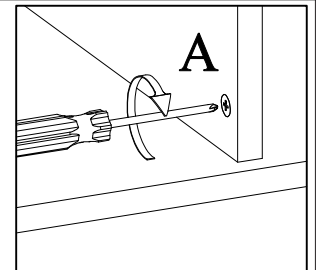
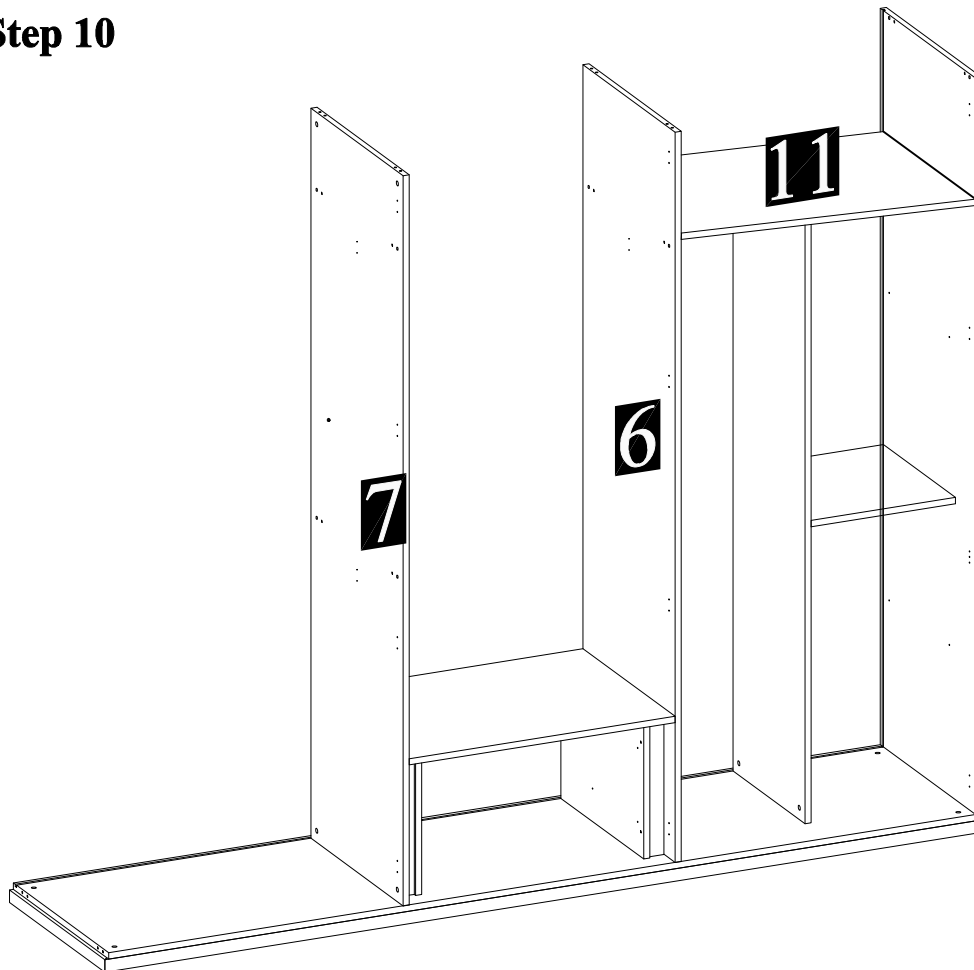
Step 8



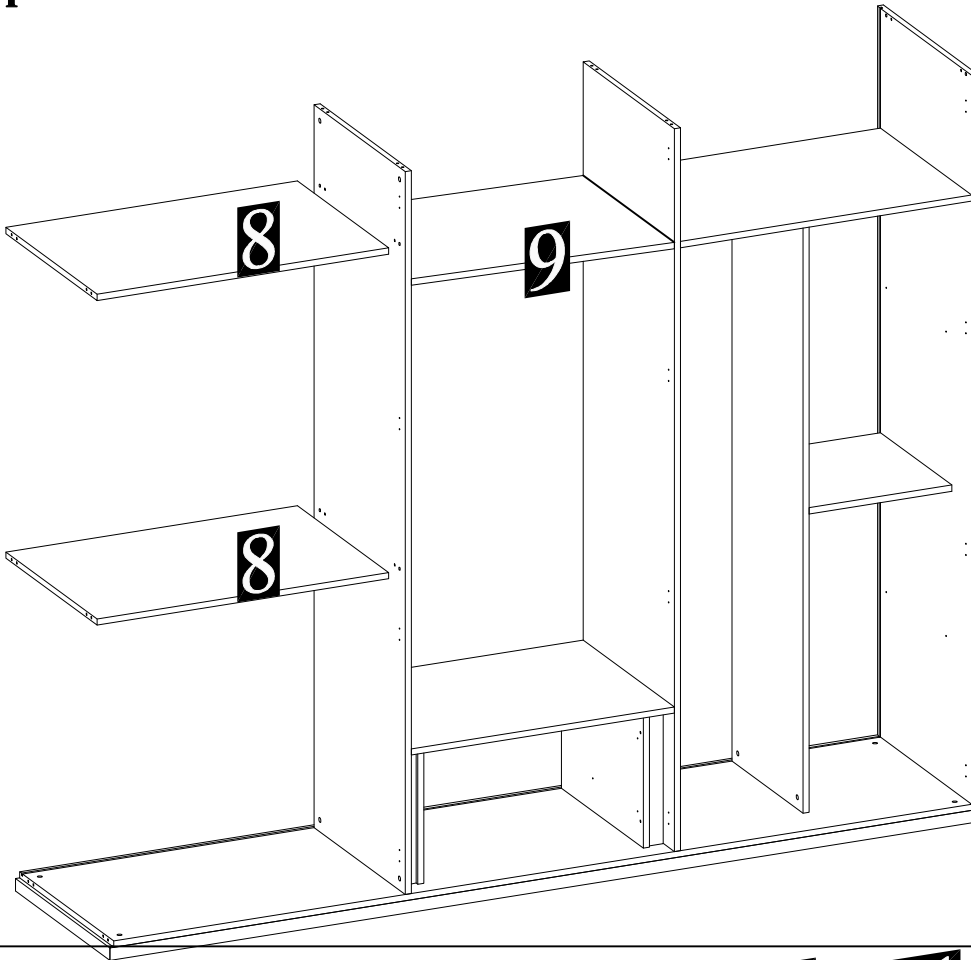
Step 9



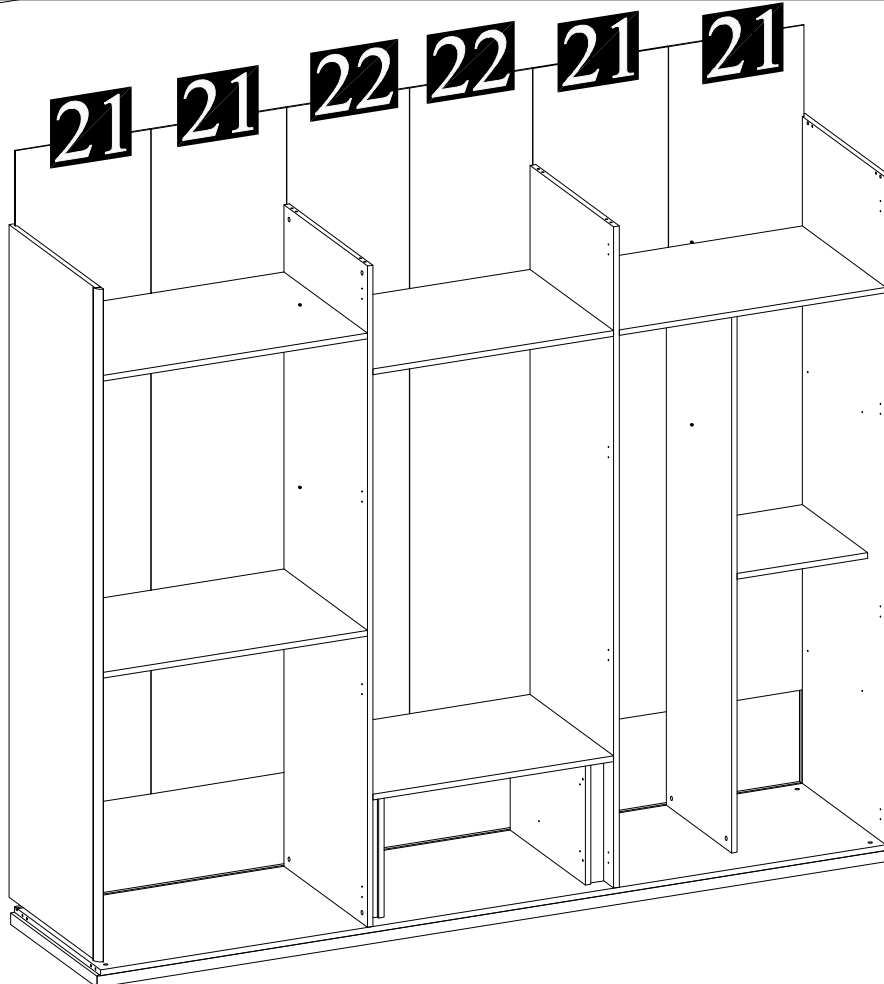
Step 10



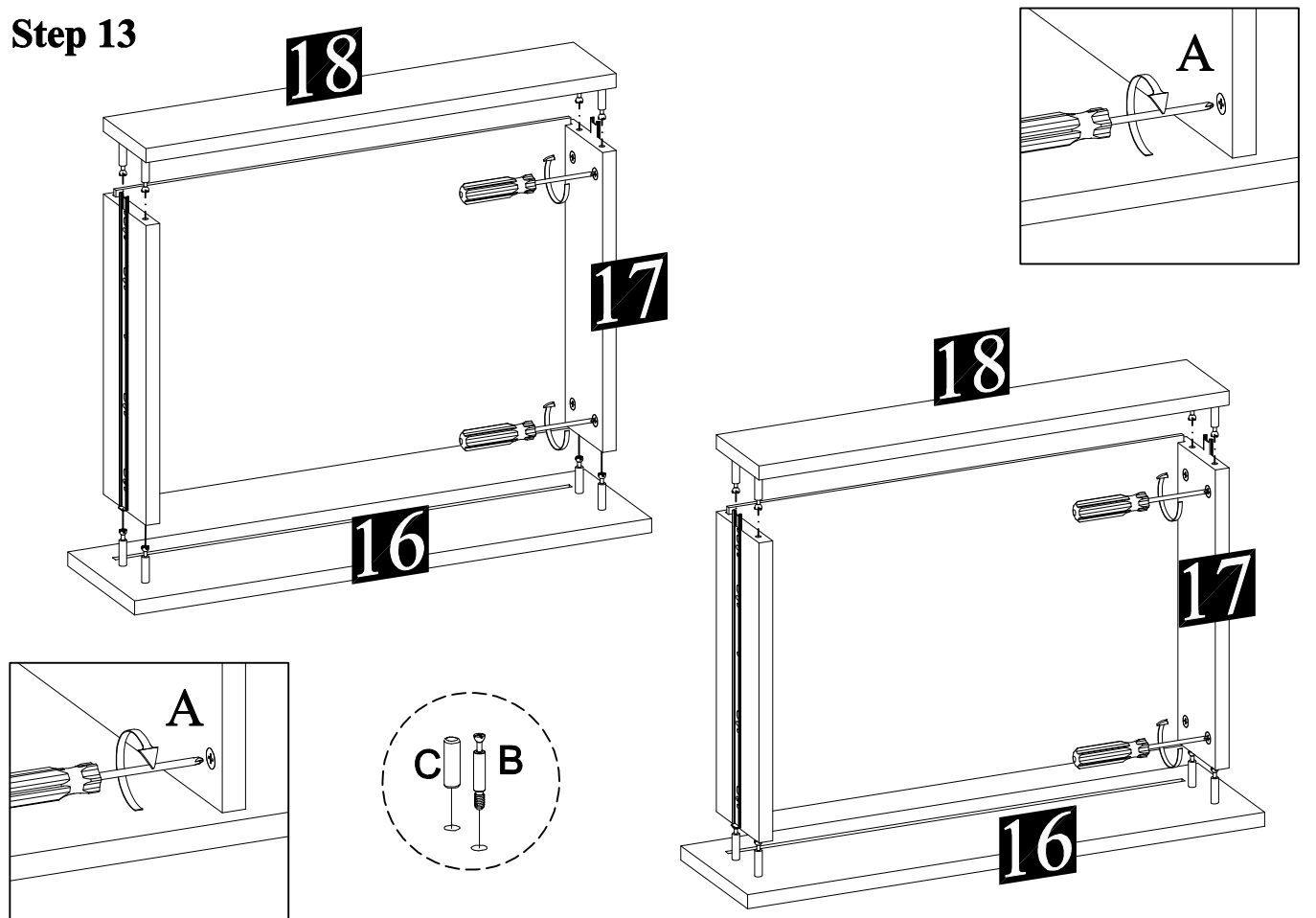
Step 11



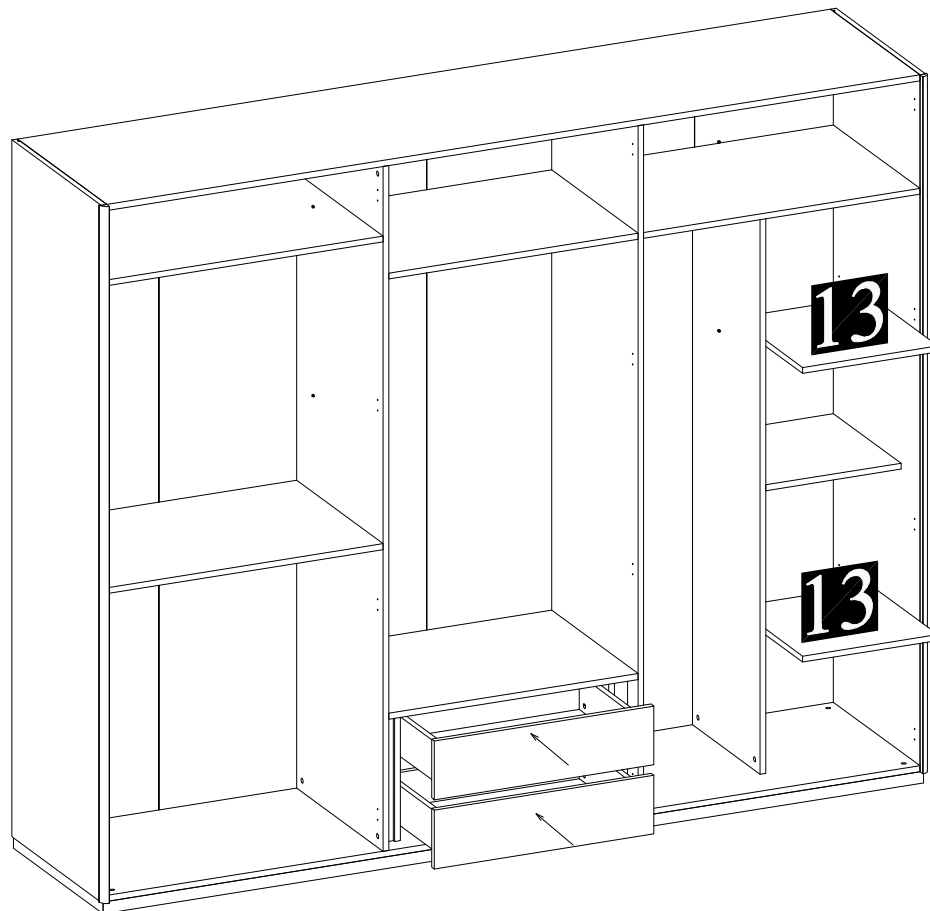
Step 12



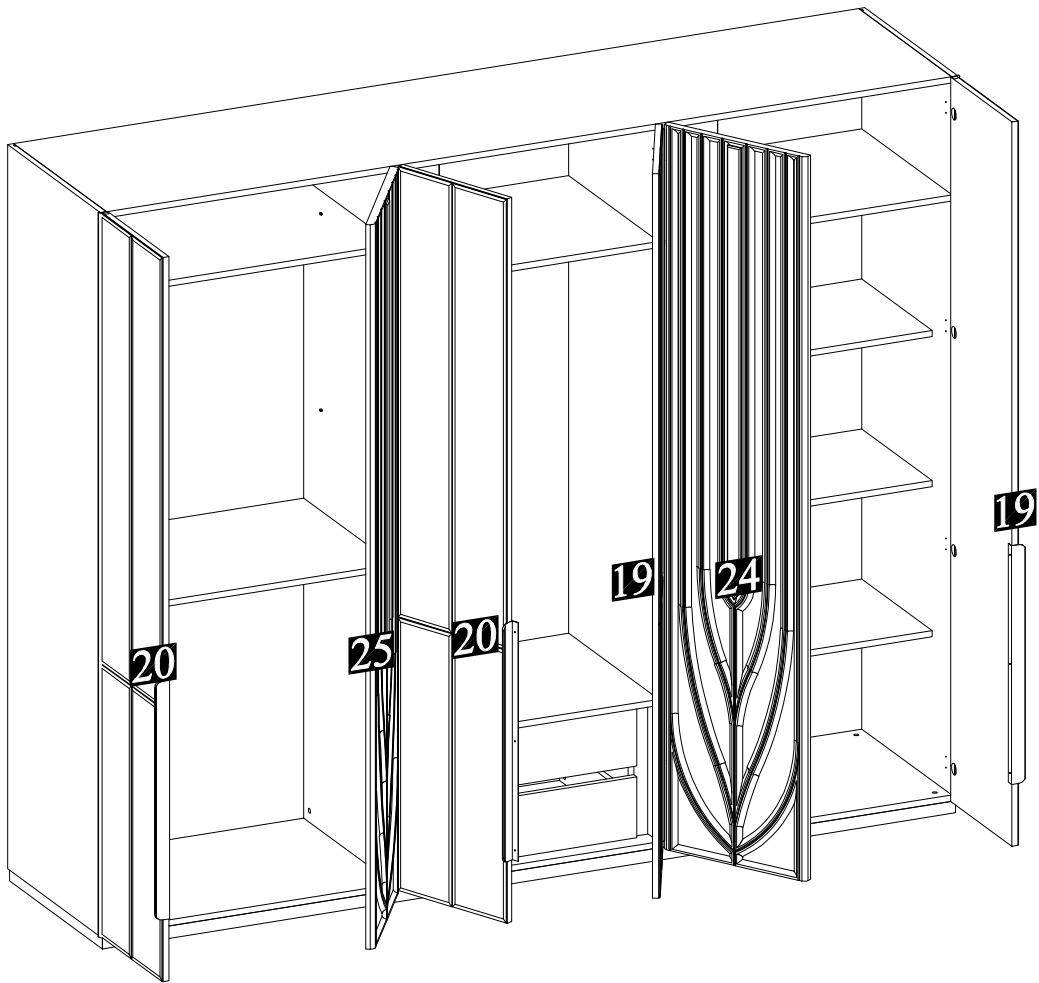
Step 13



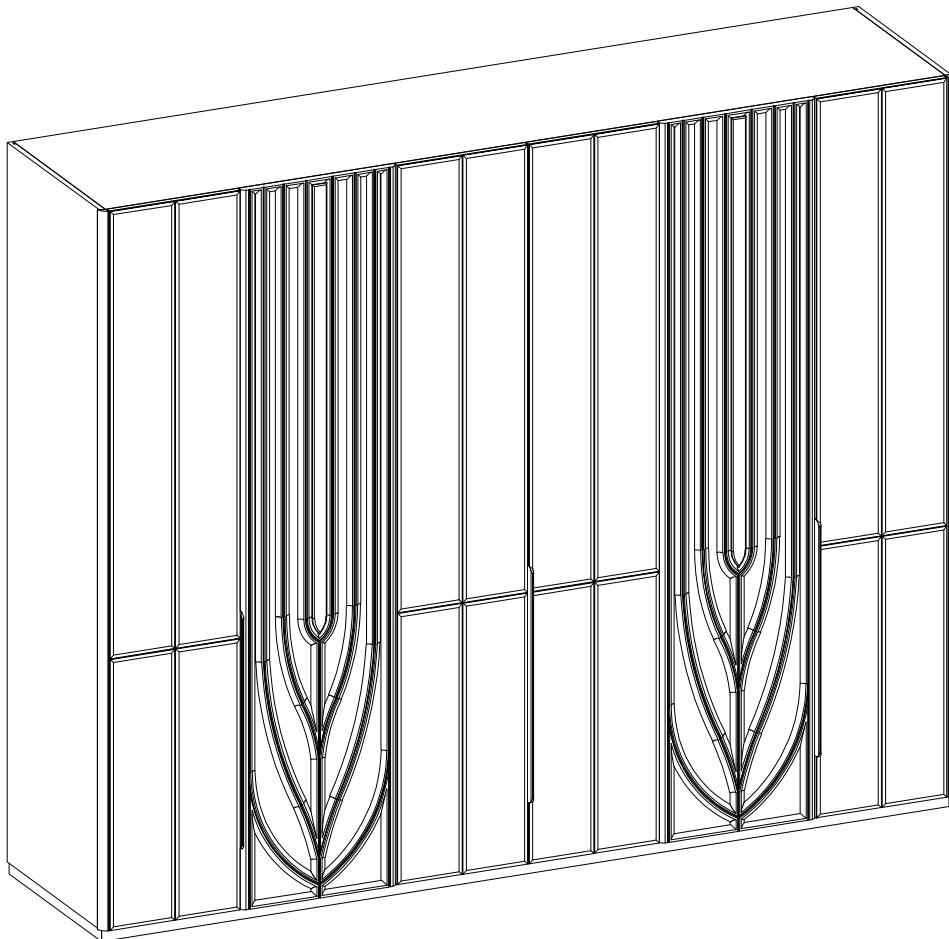
Step 14

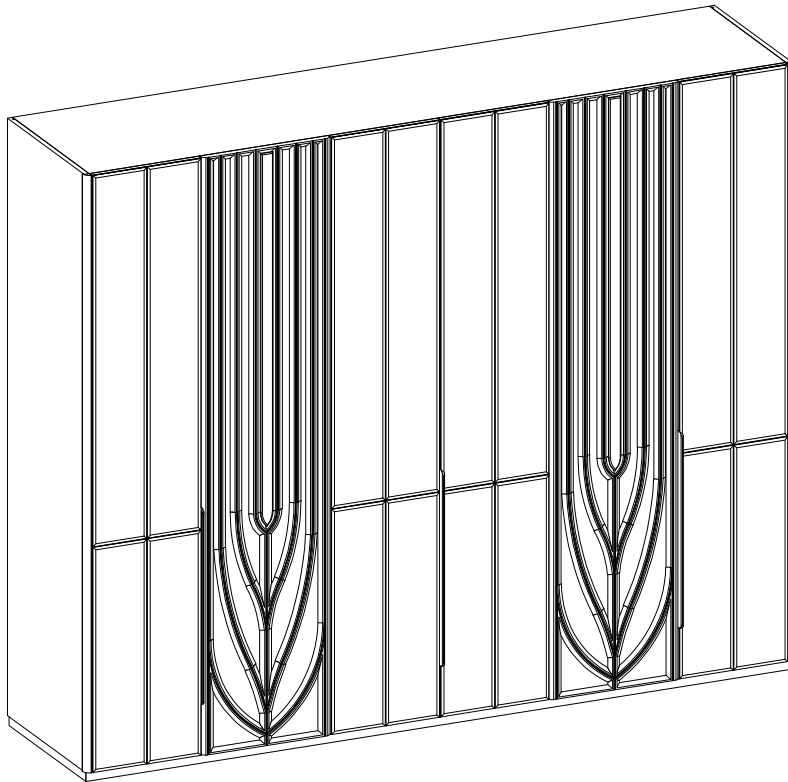


Step 15



Step 16





VALS

WARDROBE

Dimension: 2616 X 648 X 2160 MM

Cleaning and Care Guide

Your New Furniture

FOLLOWING THESE FEW BASIC STEPS WILL HELP YOU PROTECT YOUR INVESTMENT FOR YEARS OF ENJOYMENT TO COME.

Do not expose your furniture to any liquids.

Wipe up spilled liquids immediately with a soft, slightly damp cloth in the direction of the wood grain.

For stone surfaces, soak liquids up with a paper towel and wipe dry to avoid any staining.

Avoid harsh commercial cleaners, glass cleaners and spray polishes on wood.

Do not expose your furniture to strong or direct sunlight, leave near heat outlets or air conditioning units, or open windows and dampness. Excessive exposure to sunlight and heat can cause your furniture's finish to start fading.

Extreme temperatures and humidity changes can cause wood cracking and splitting.

Do not place rubber or plastic materials on the wood finish.

Chemicals within the plastic or rubber may react with the finish if left in contact for a long period of time. Use a strip of felt or cork.

Never place hot objects on any furniture surface.

Use a hot plate between your furniture and hot objects to protect the finish.

Frequently dust surfaces with a clean, damp, lint free cloth.

Abrasive build up can cause damage a finish over time.

Small scratches and marks can be touched up or covered with a mark or scratch remover or a touch up stick. These can be purchased from any paint or hardware store.