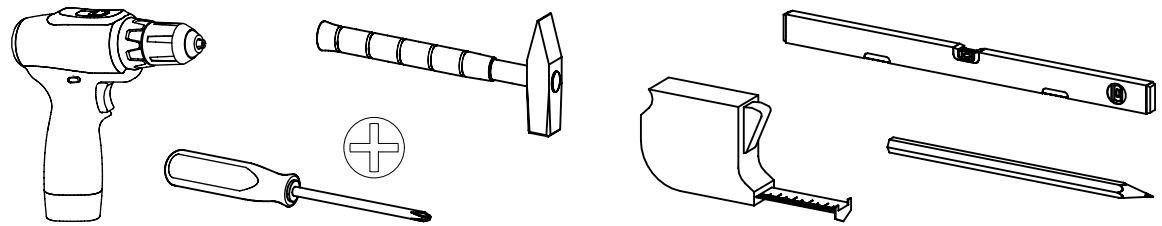


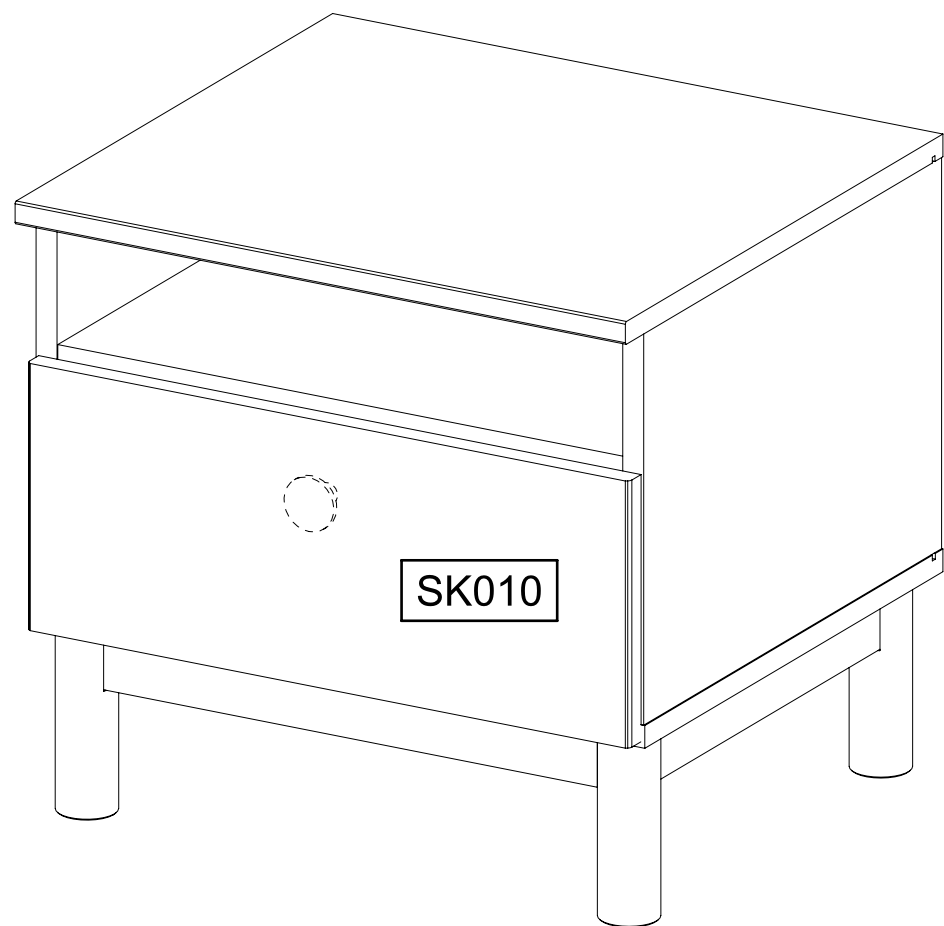
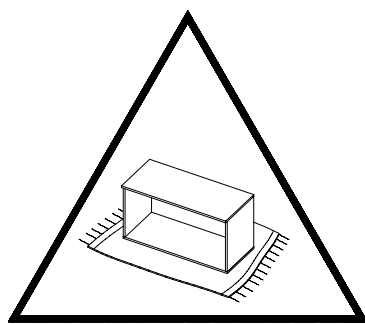
1.

M2738_01

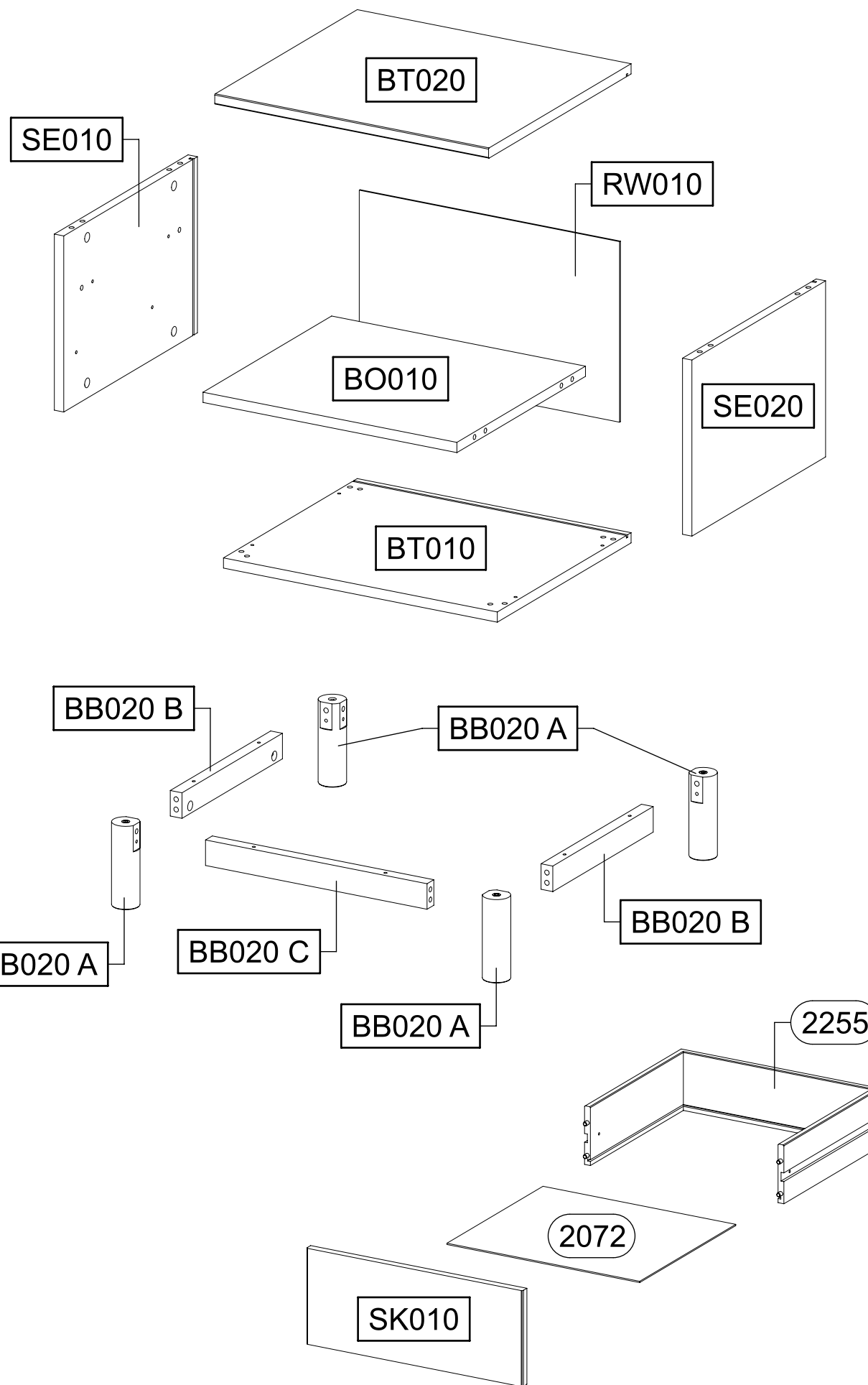
rauch



0,5-1h



2.



<p>2x</p> <p>328x17x9,5</p> <p>(251)</p>	<p>18x</p> <p>(349)</p>	
<p>18x</p> <p>(183)</p>	<p>18x</p> <p>8x30</p> <p>(18)</p>	<p>4x</p> <p>6x10,5</p> <p>(227)</p>
<p>2x</p> <p>M4x9</p> <p>(568)</p>	<p>2x</p> <p>(1090)</p>	<p>3x</p> <p>3x20</p> <p>(215)</p>
<p>4x</p> <p>M6x40</p> <p>(245)</p>	<p>6x</p> <p>4,5x35</p> <p>(214)</p>	<p>(11)</p>

X mm

X mm

X mm

1

11

1.

(2255)

2.

(2072)

(2255)

3.

(11)

SK010

4.

SK010

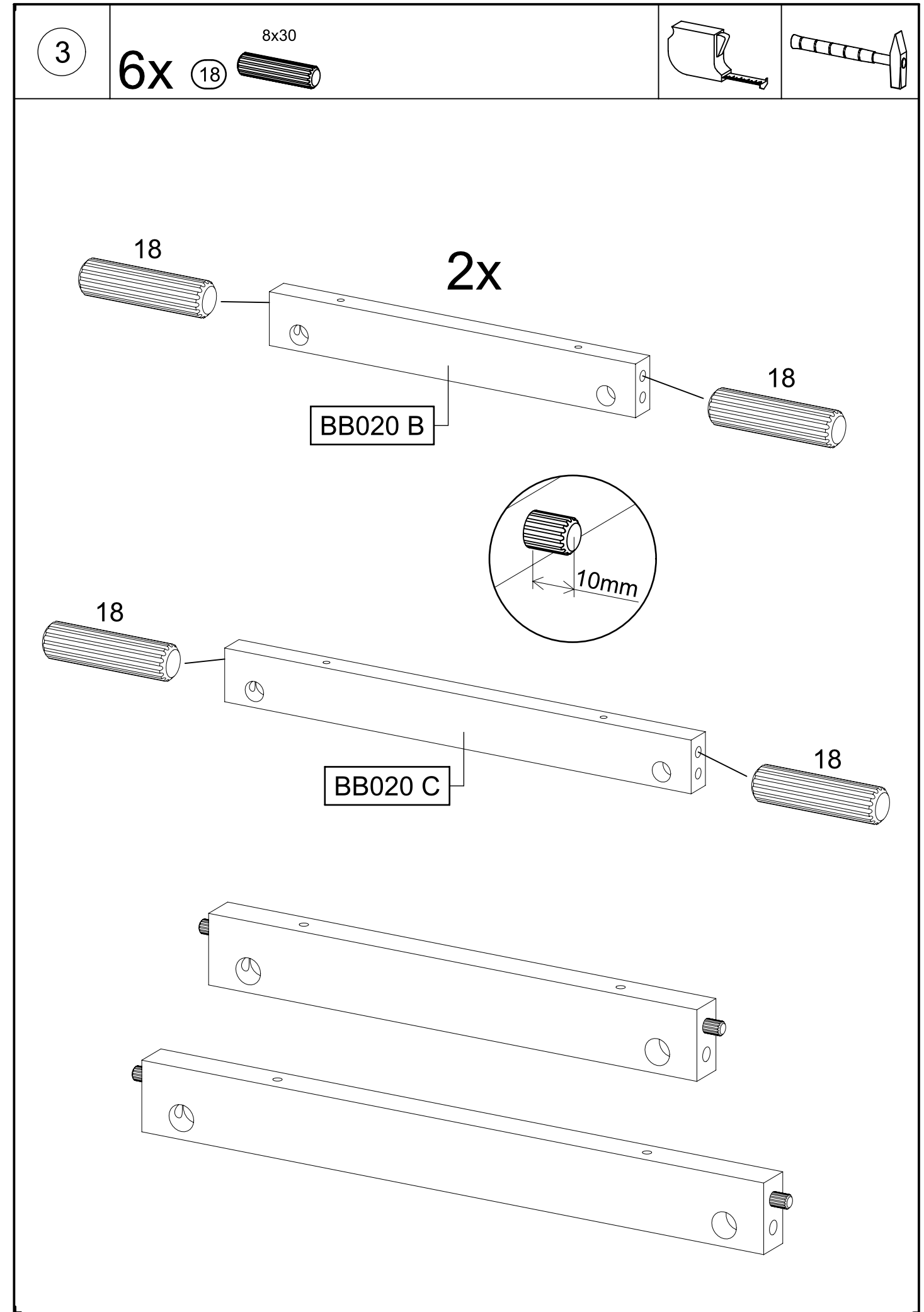
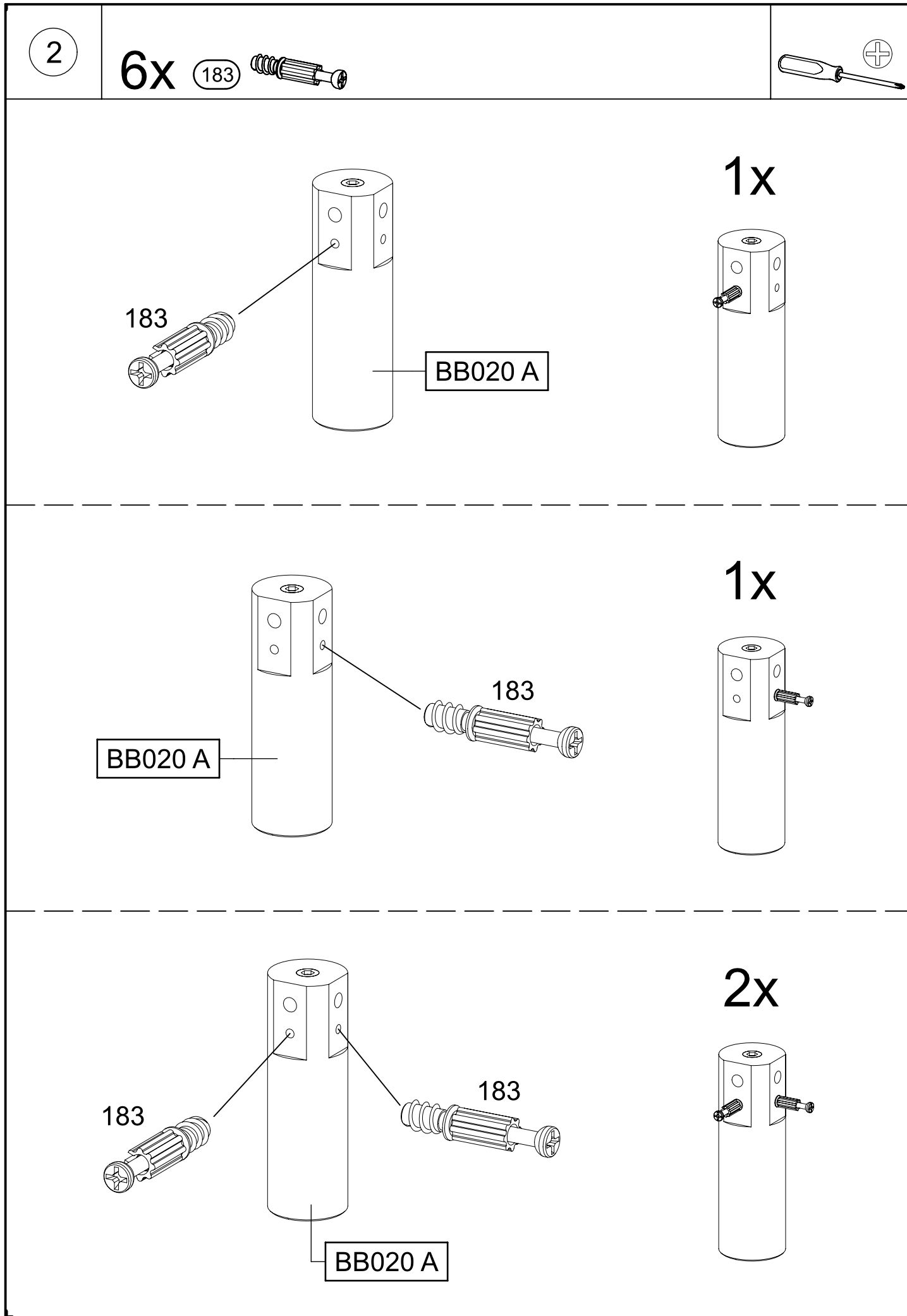
(2072)

(2255)

Xmm = Xmm

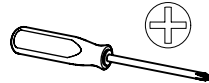
Xmm

Xmm



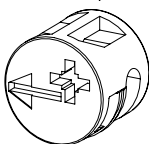
4

6x 349

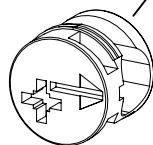


2x

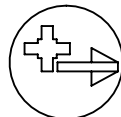
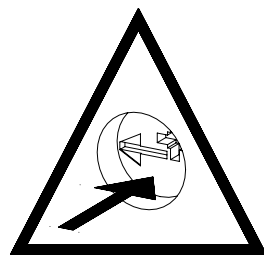
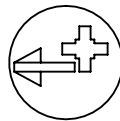
BB020 B



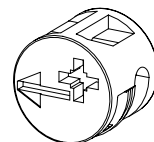
349



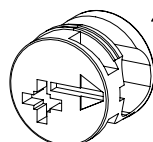
349



BB020 C

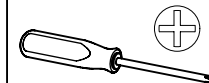


349

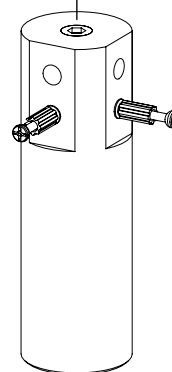


349

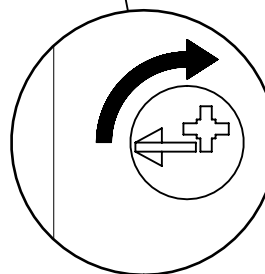
5



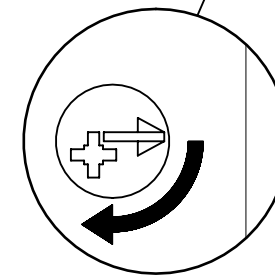
BB020 A



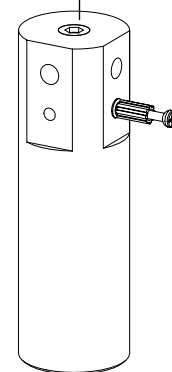
BB020 B



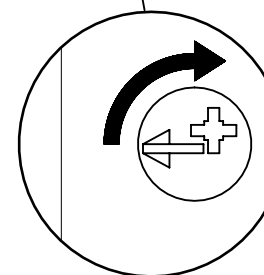
BB020 A



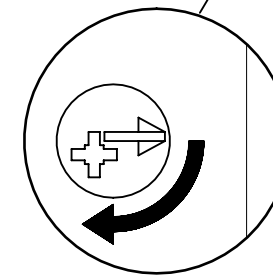
BB020 A



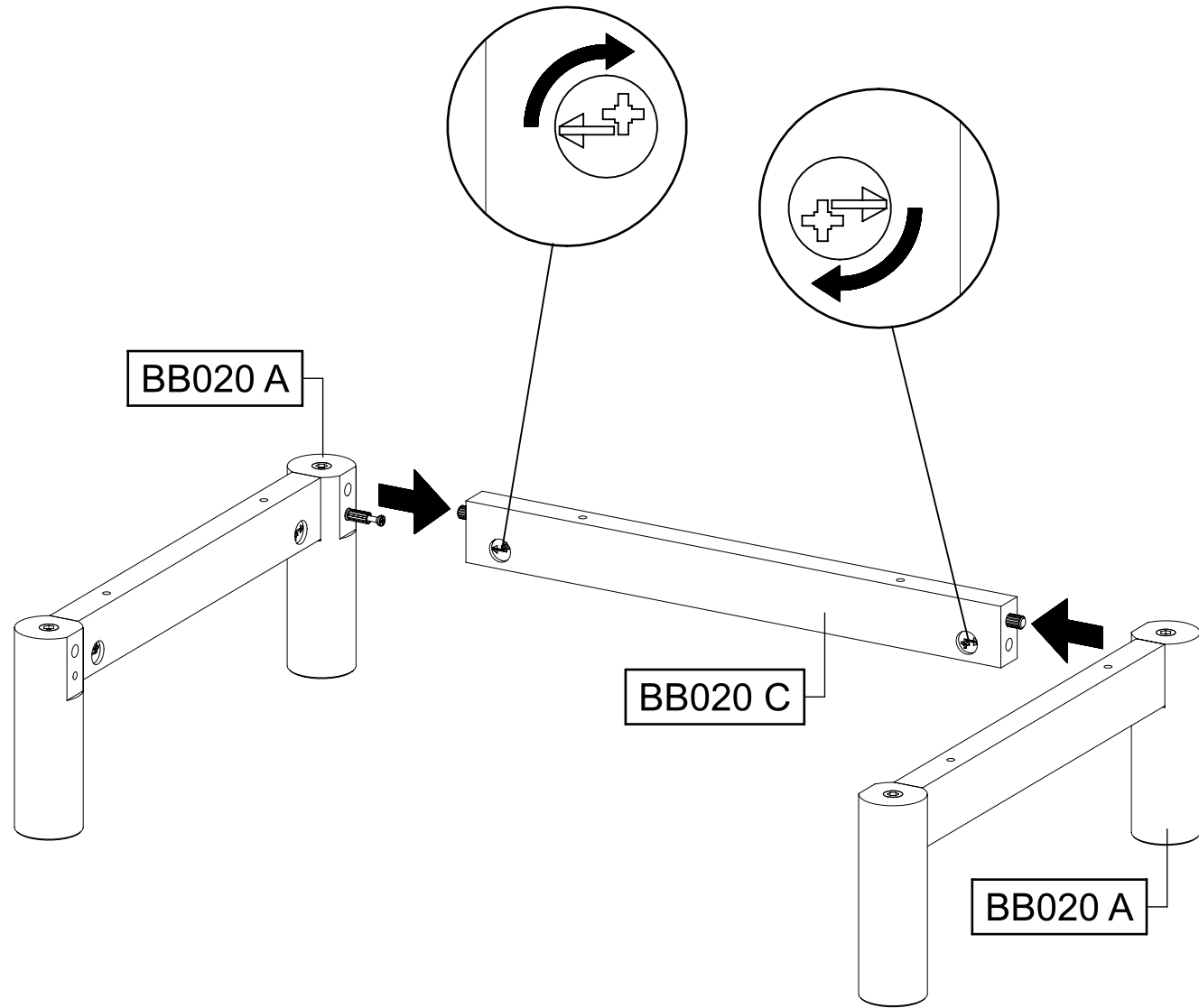
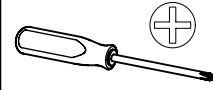
BB020 B



BB020 A



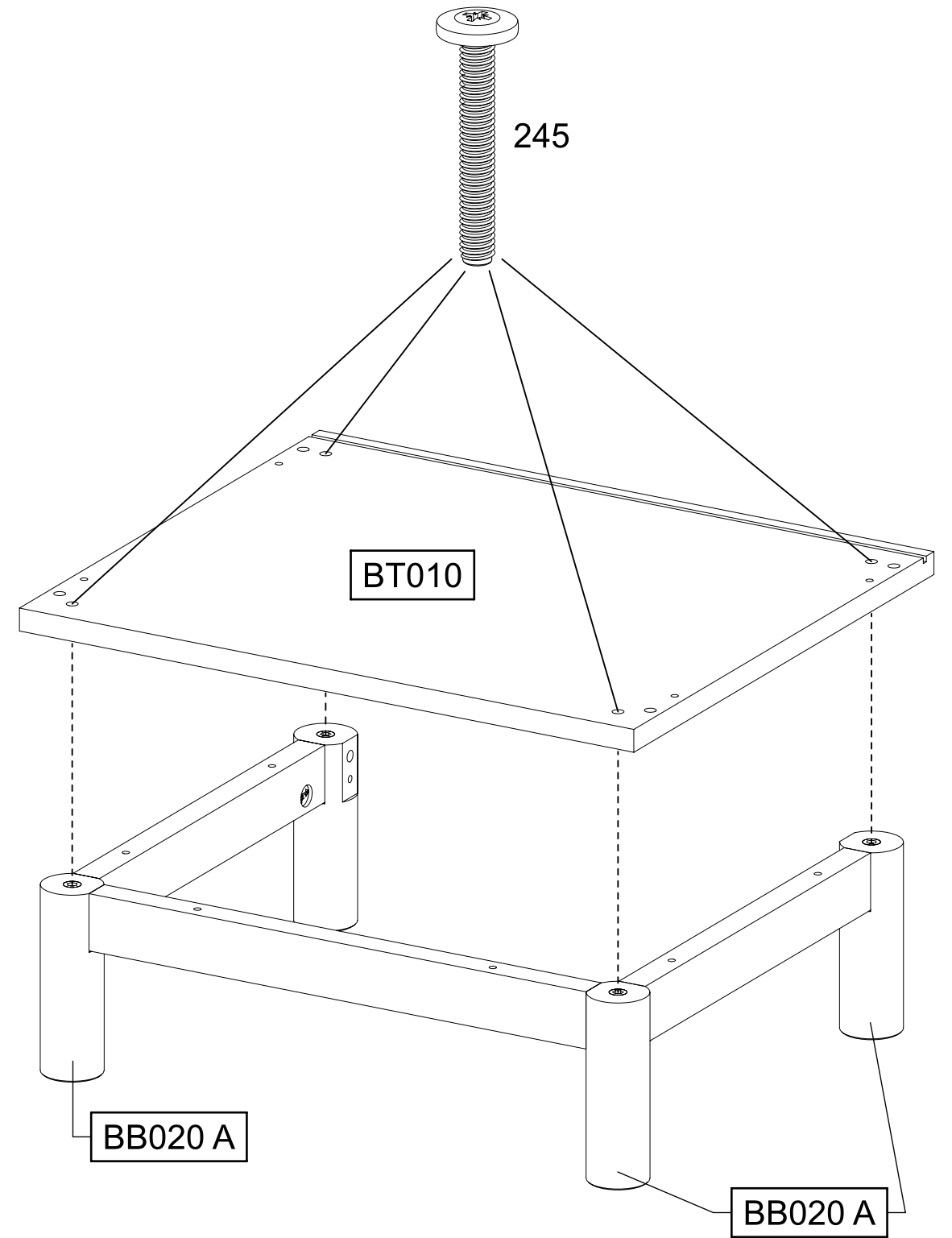
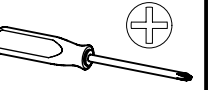
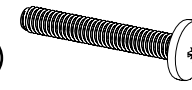
6



7

4x (245)

M6x40

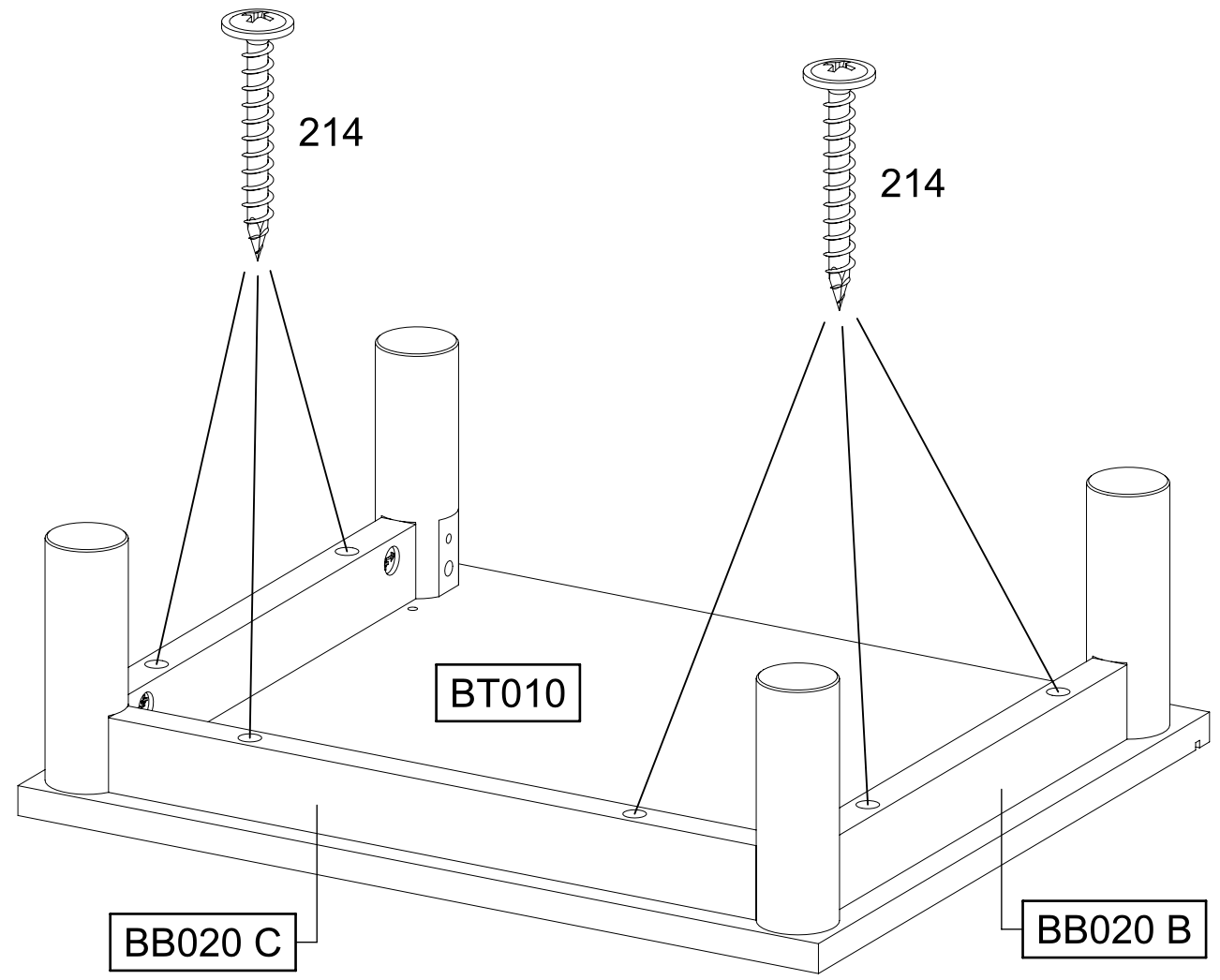
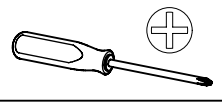
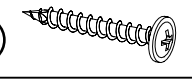


8

6x

214

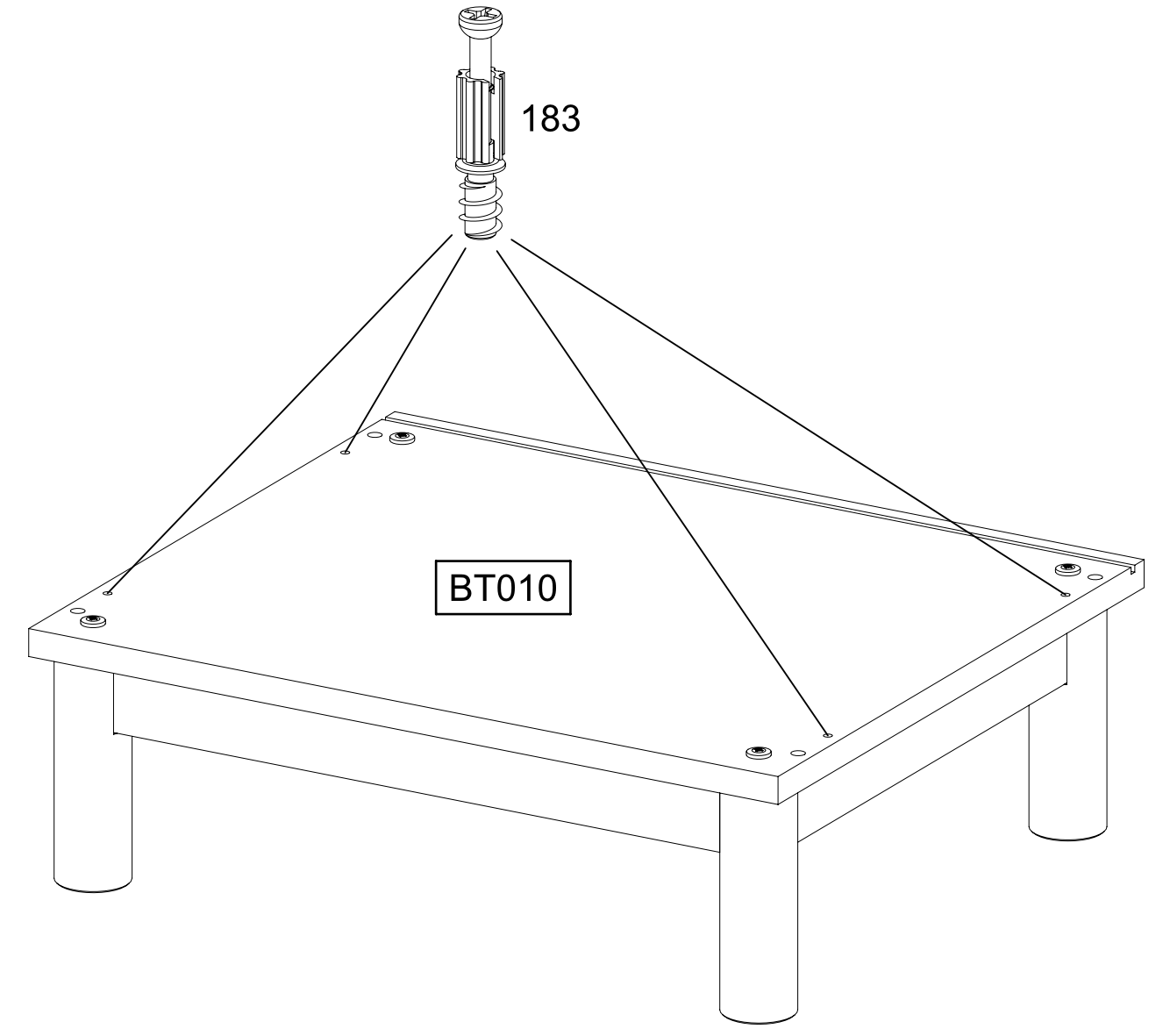
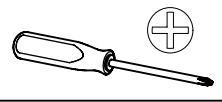
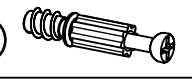
4,5x35



9

4x

183

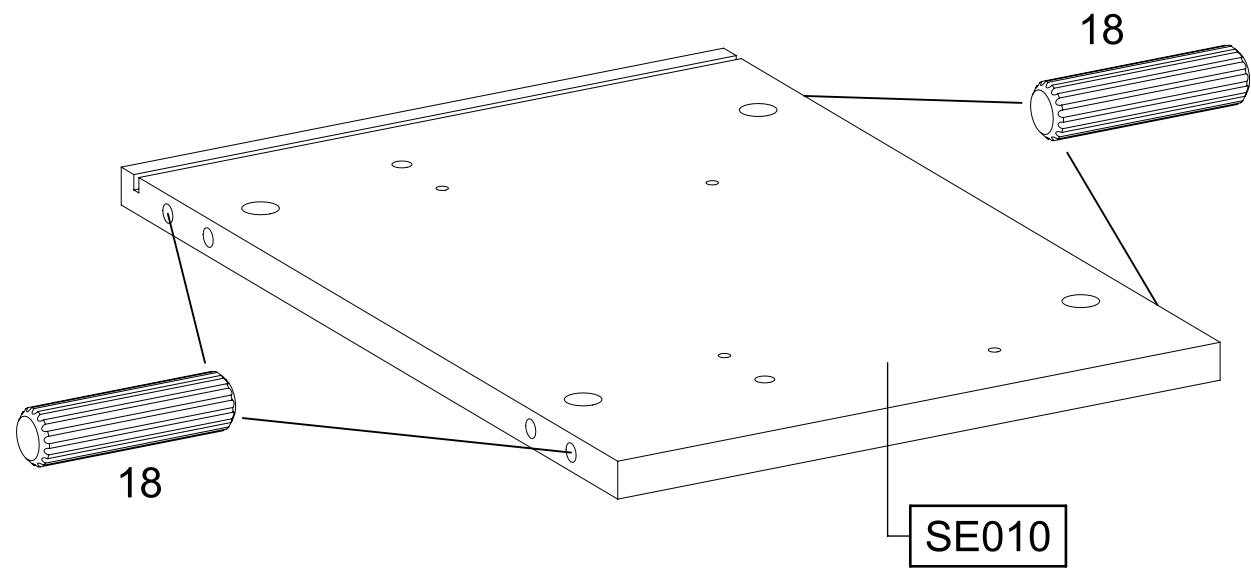
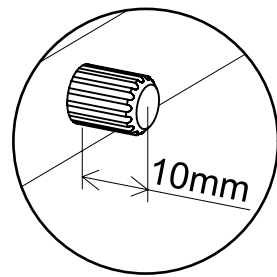
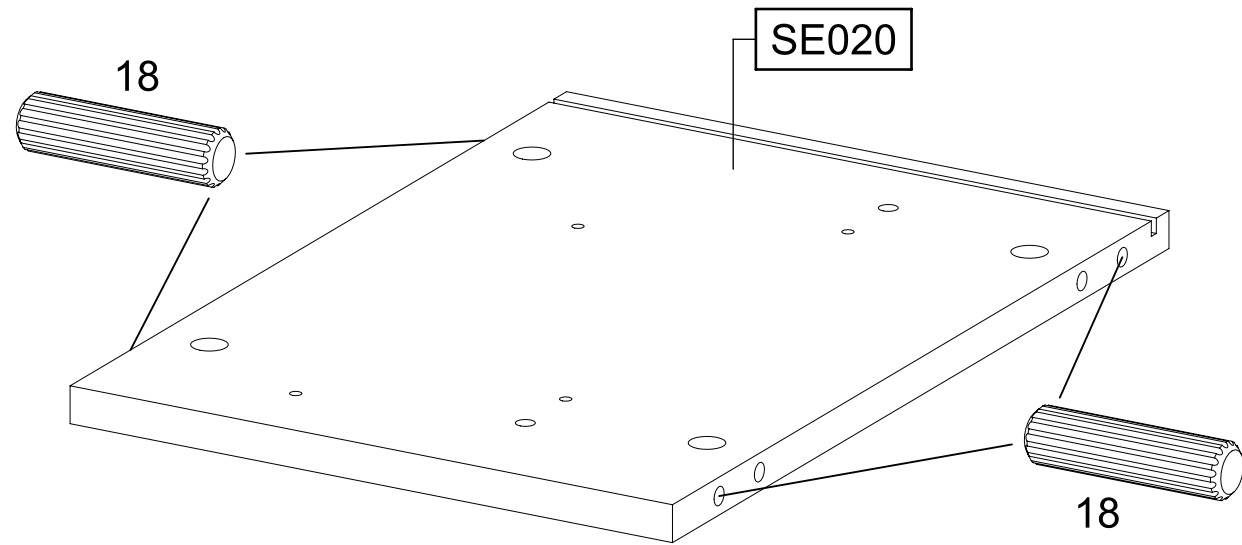
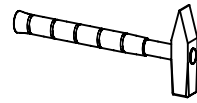
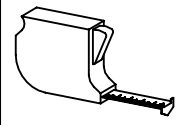


10

8x

18

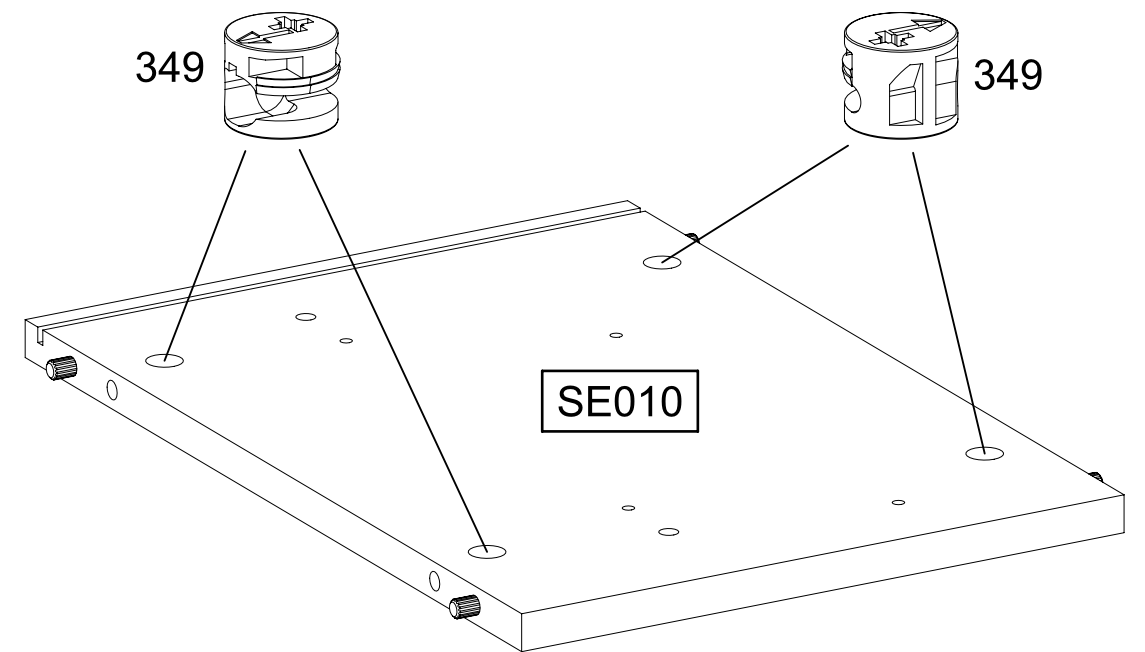
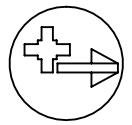
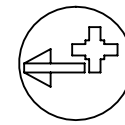
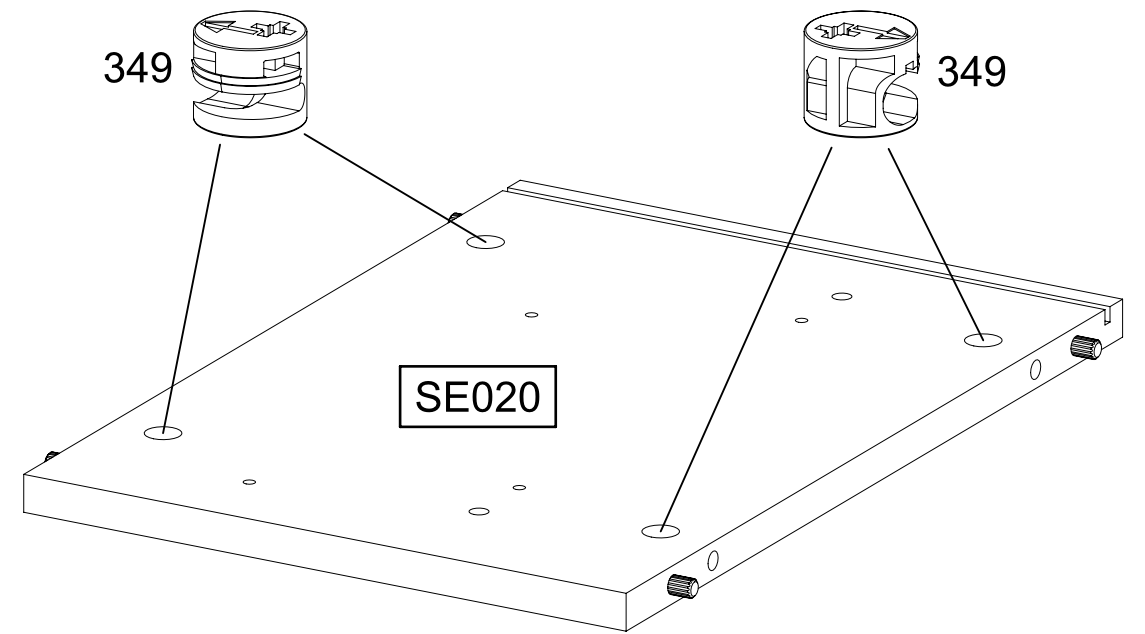
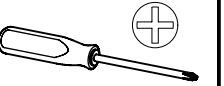
8x30



11

8x

349

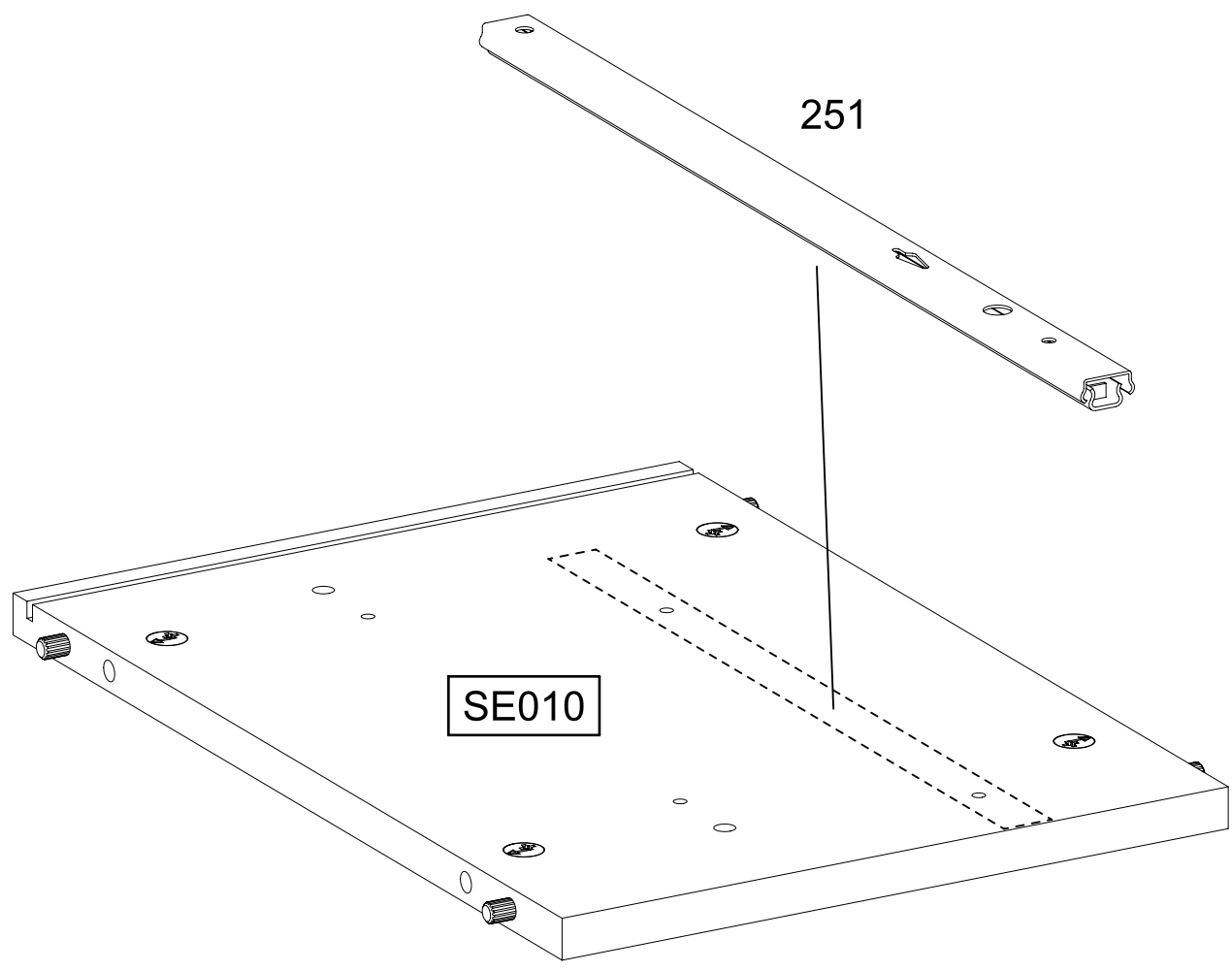
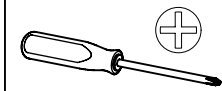


12

2x 227 6x10,5

1x 251

328x17x9,5

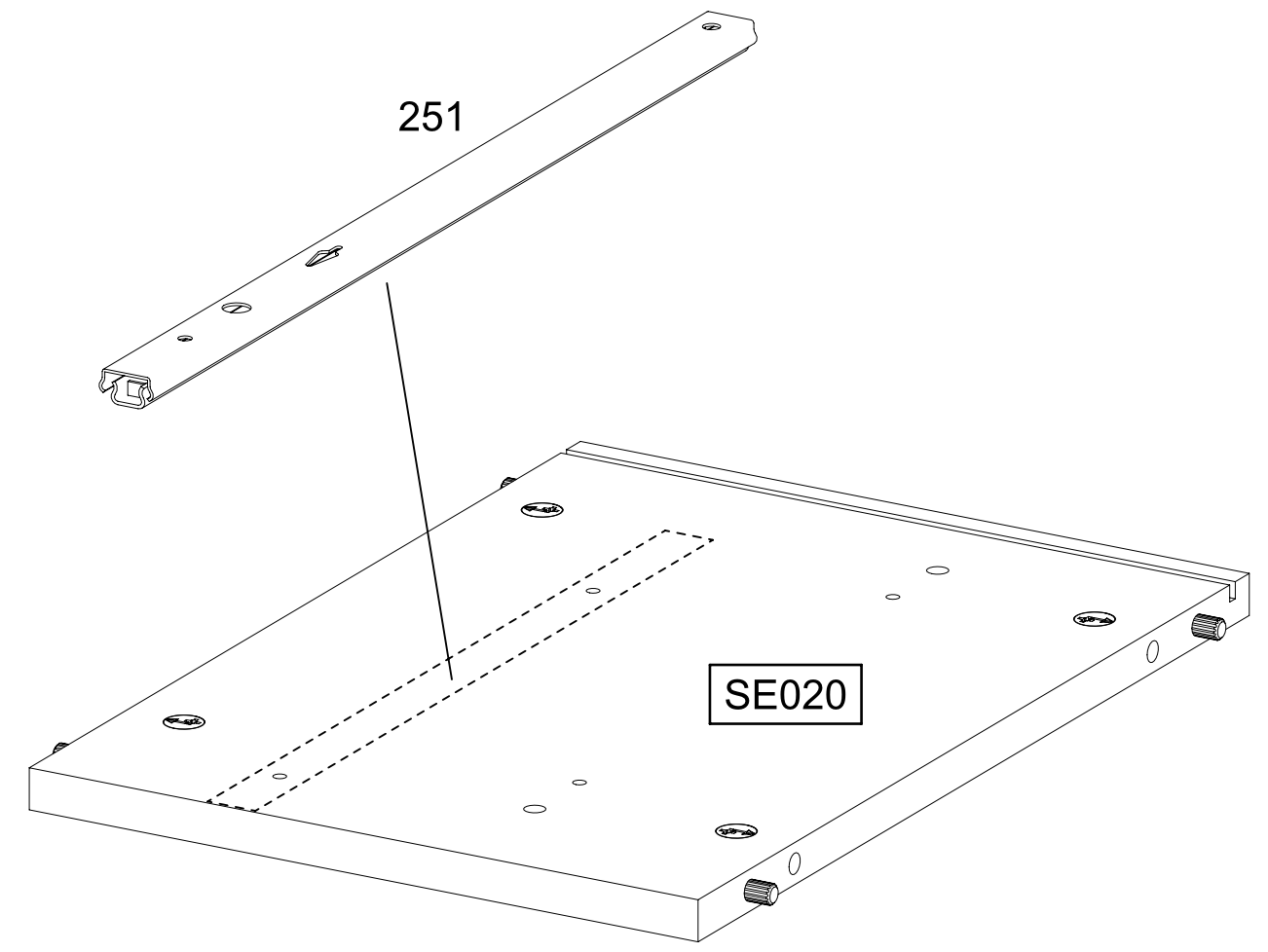
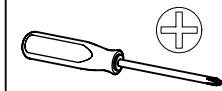


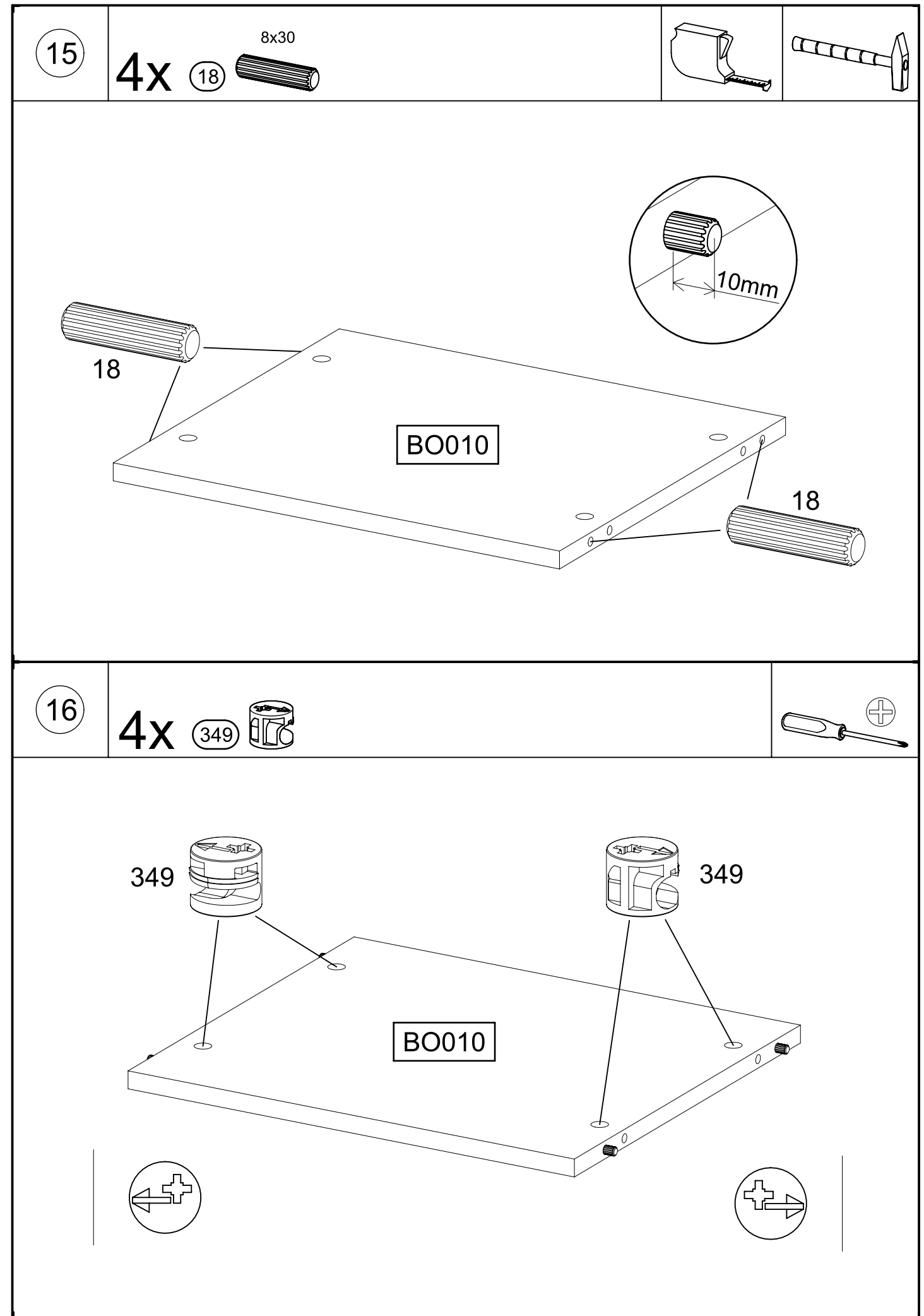
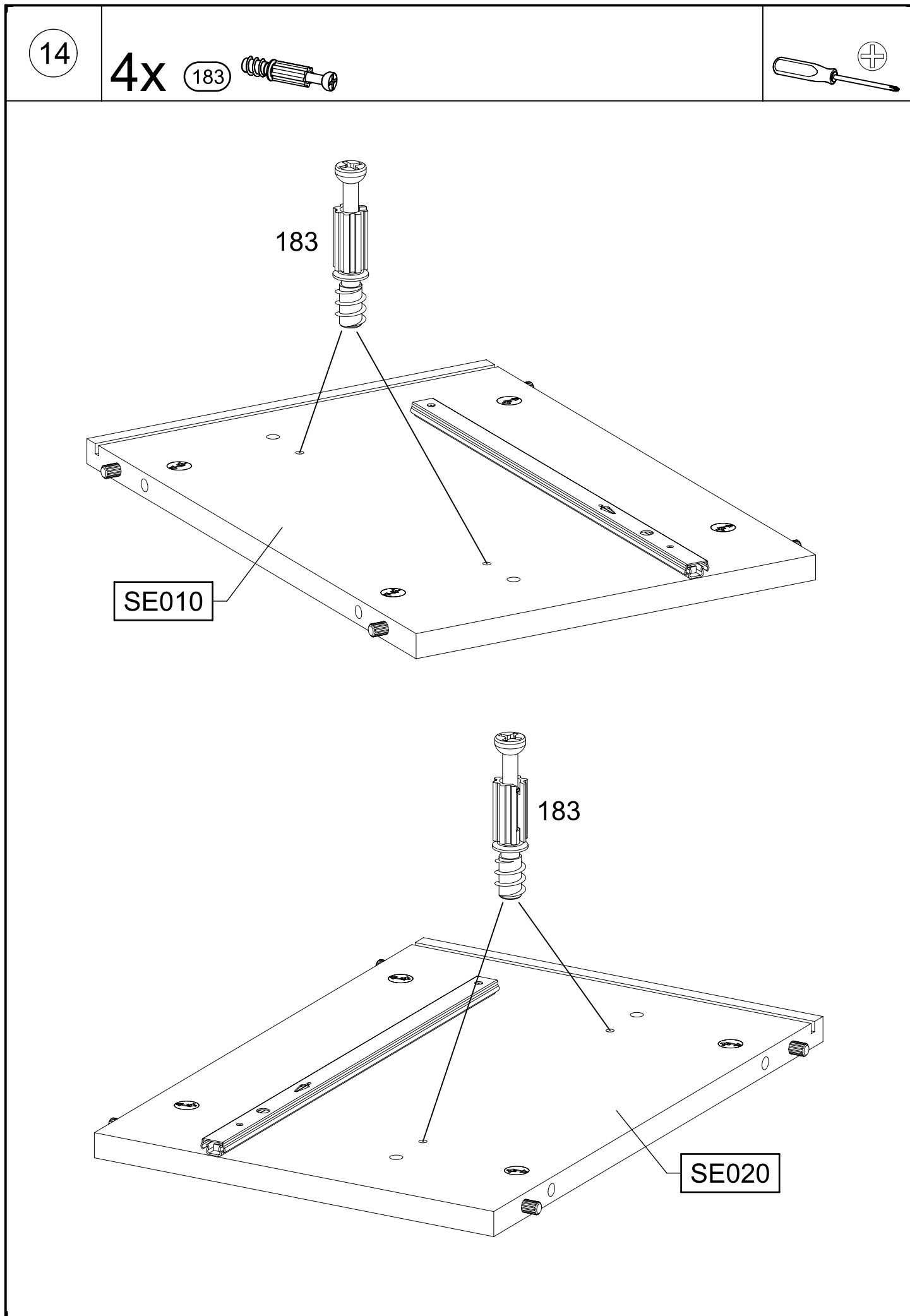
13

2x 227 6x10,5

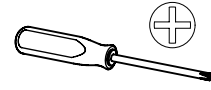
1x 251

328x17x9,5





17



SE020

BO010

SE010

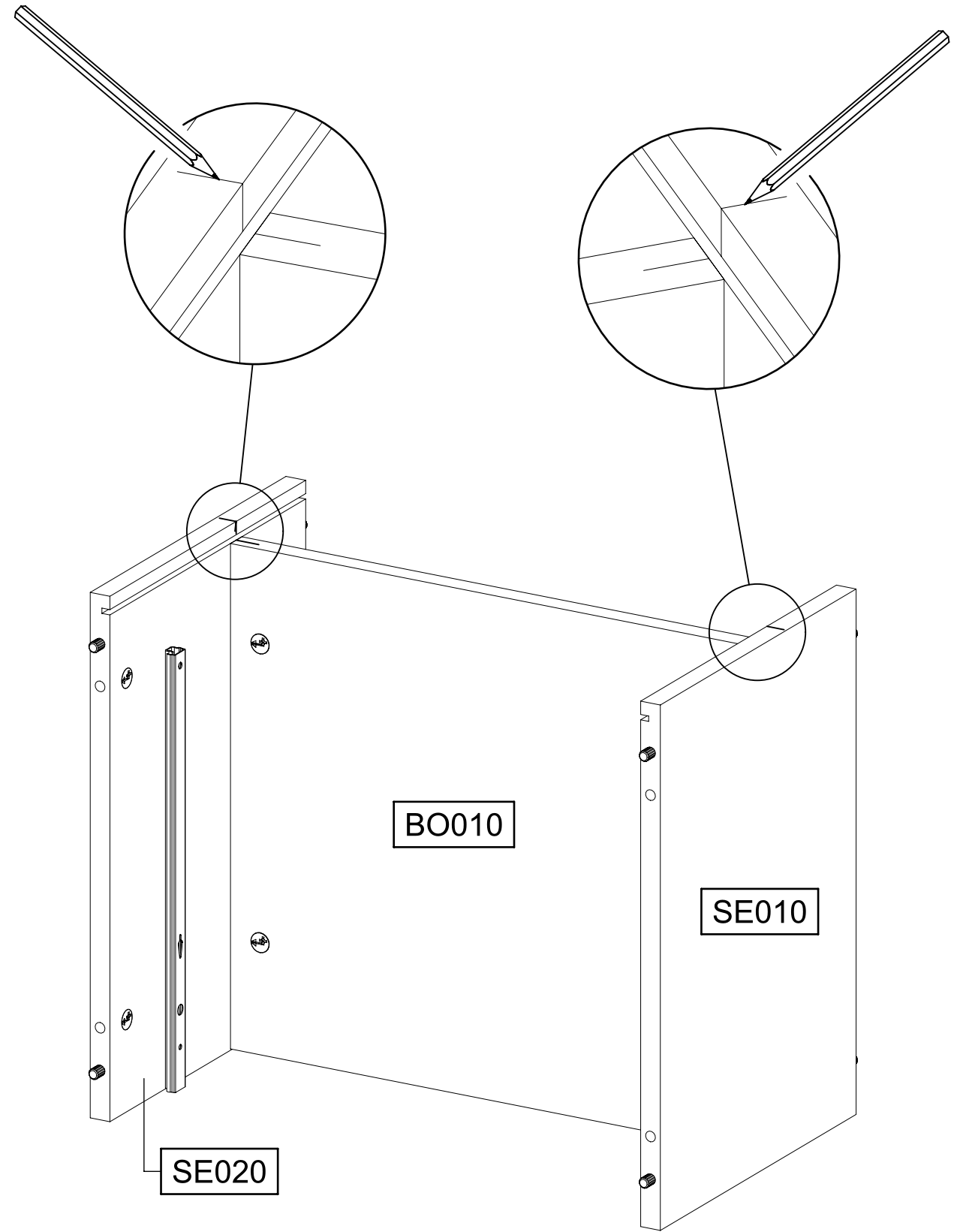
SE020

SE010

BO010



18

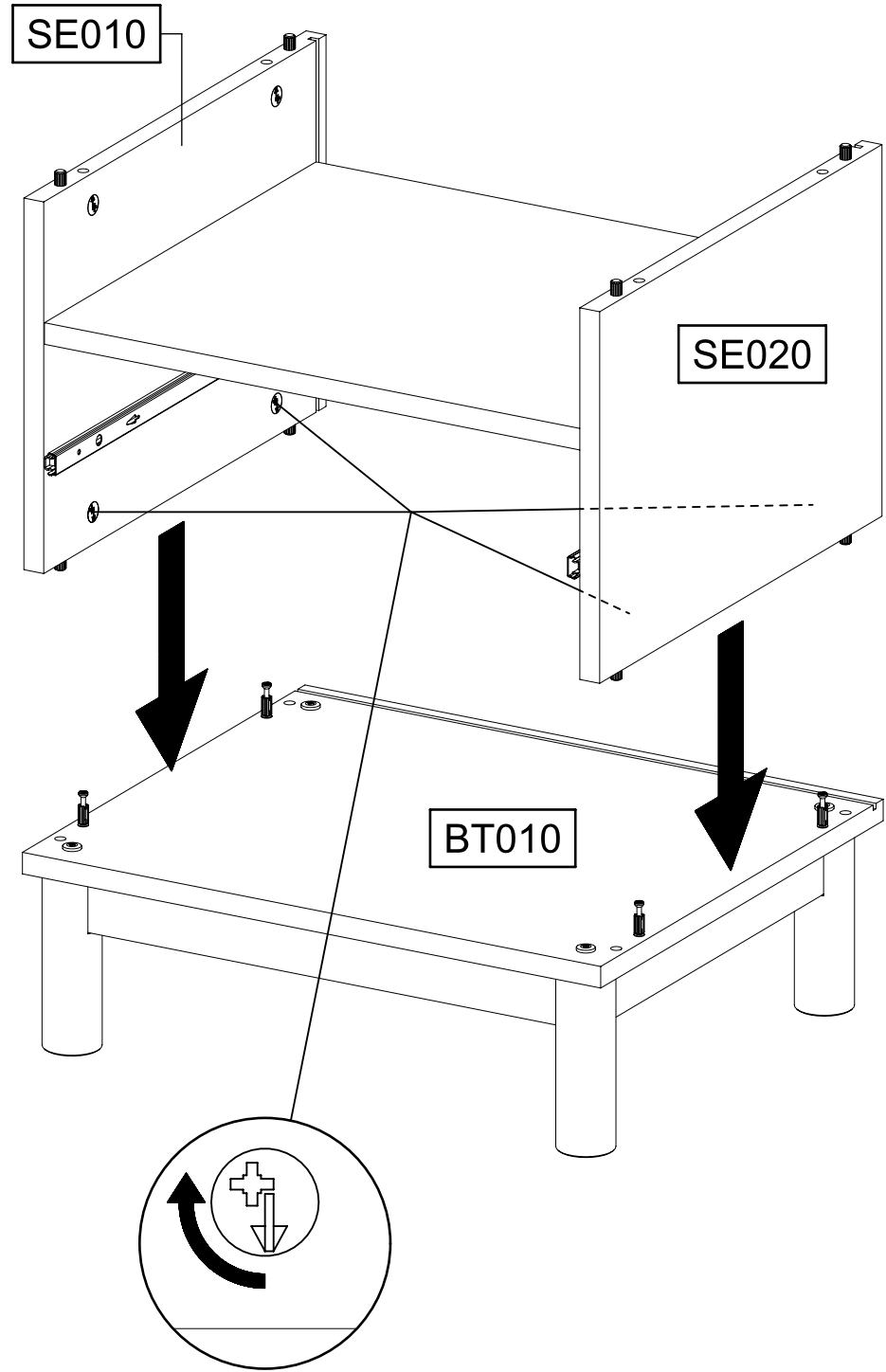
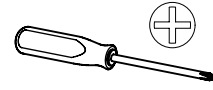


BO010

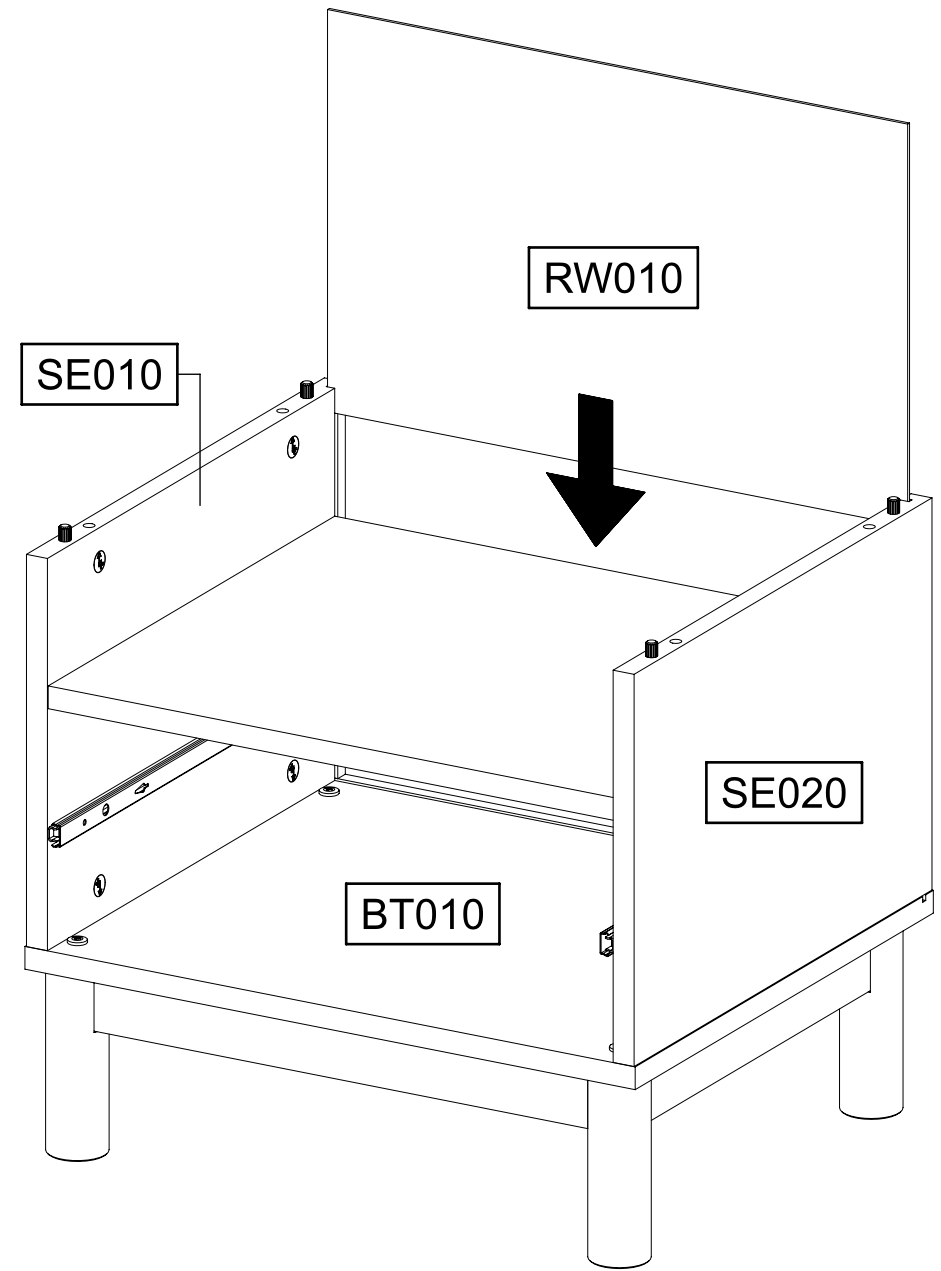
SE010

SE020

19



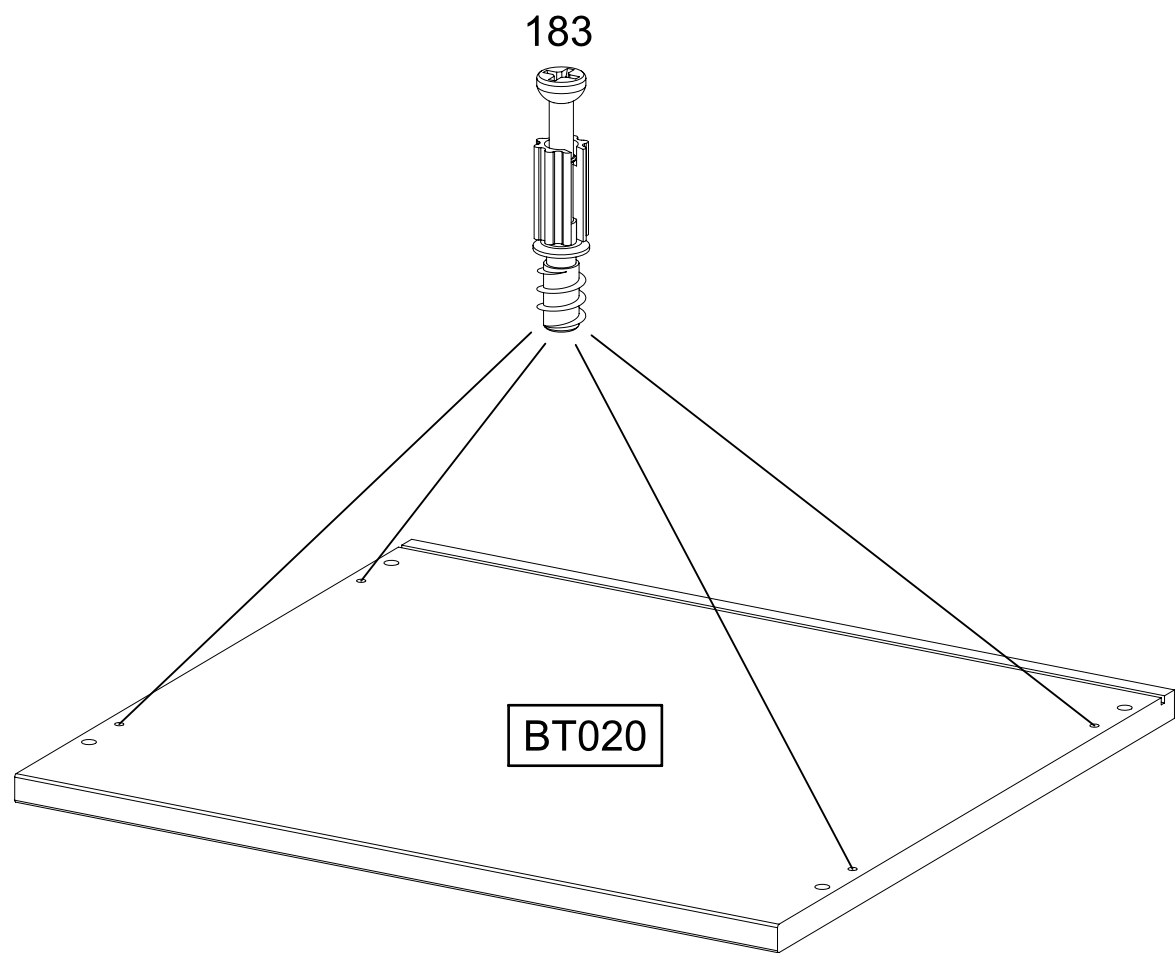
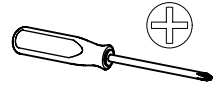
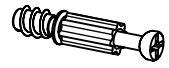
20



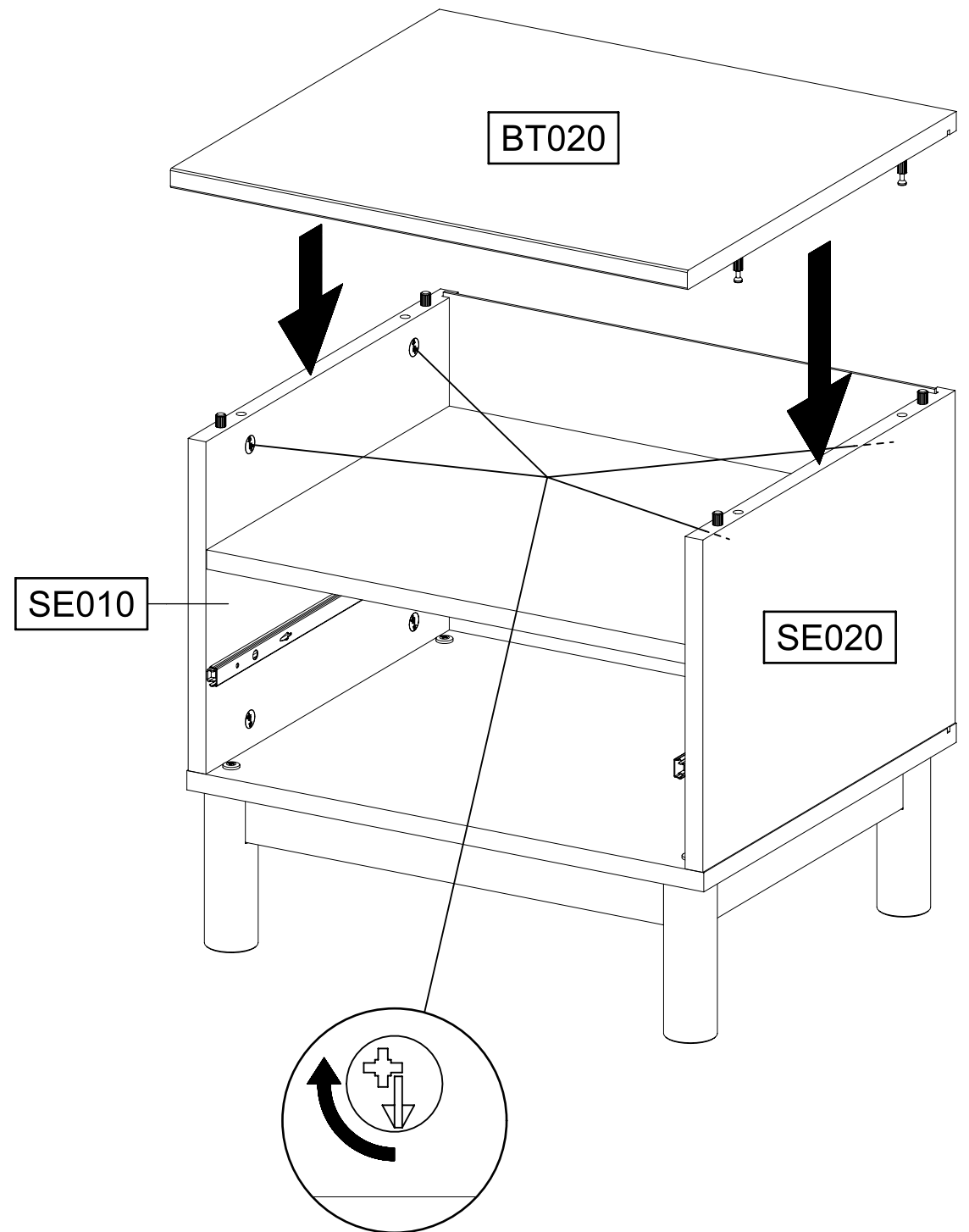
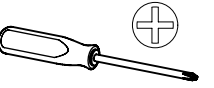
21

4x

183



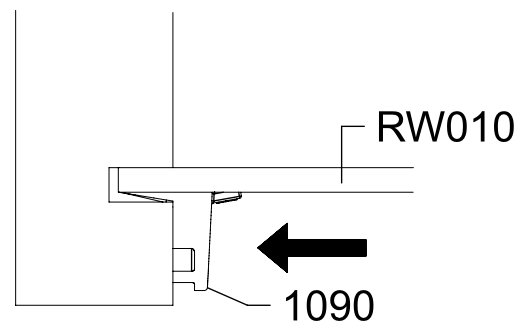
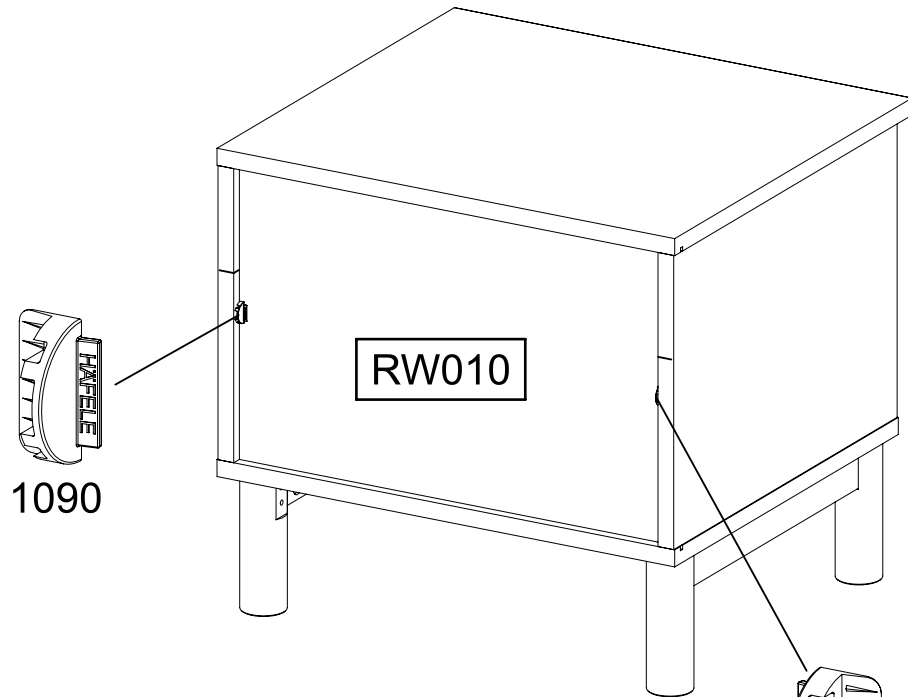
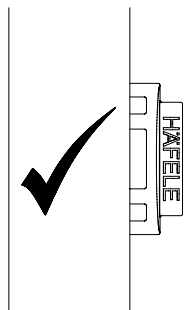
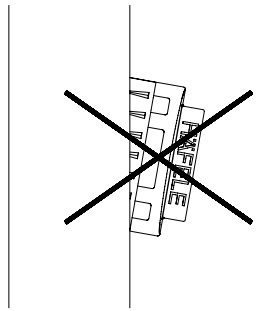
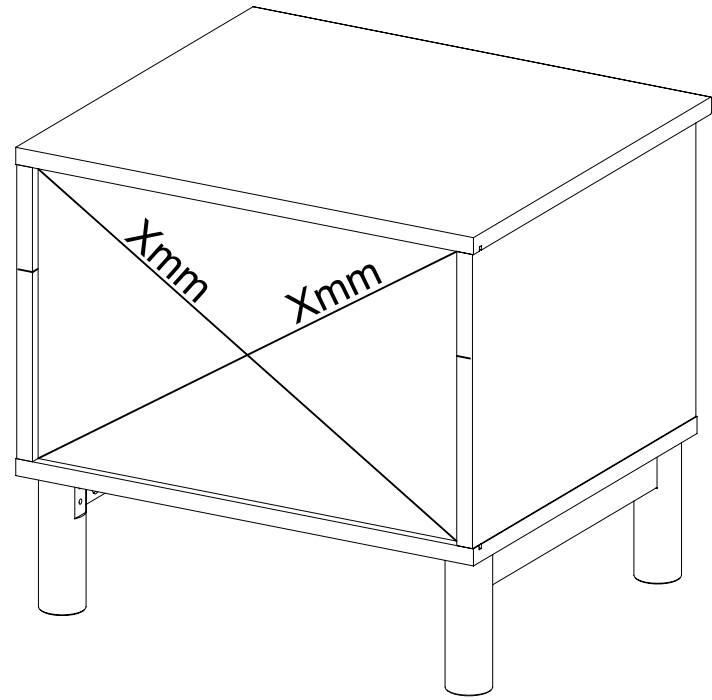
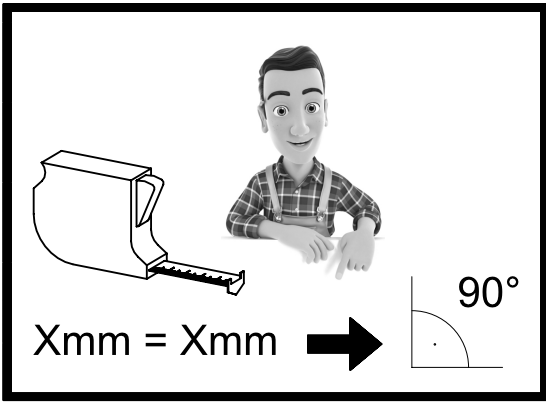
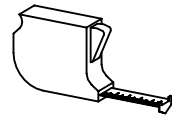
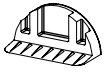
22



23

2x

1090



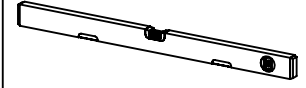
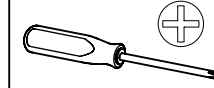
1090

24

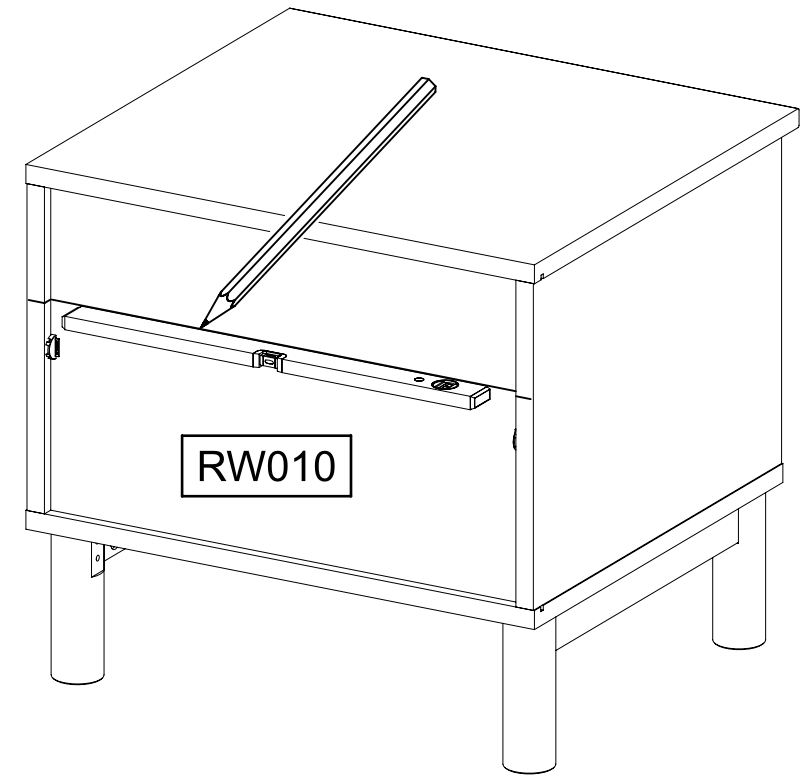
3x

215

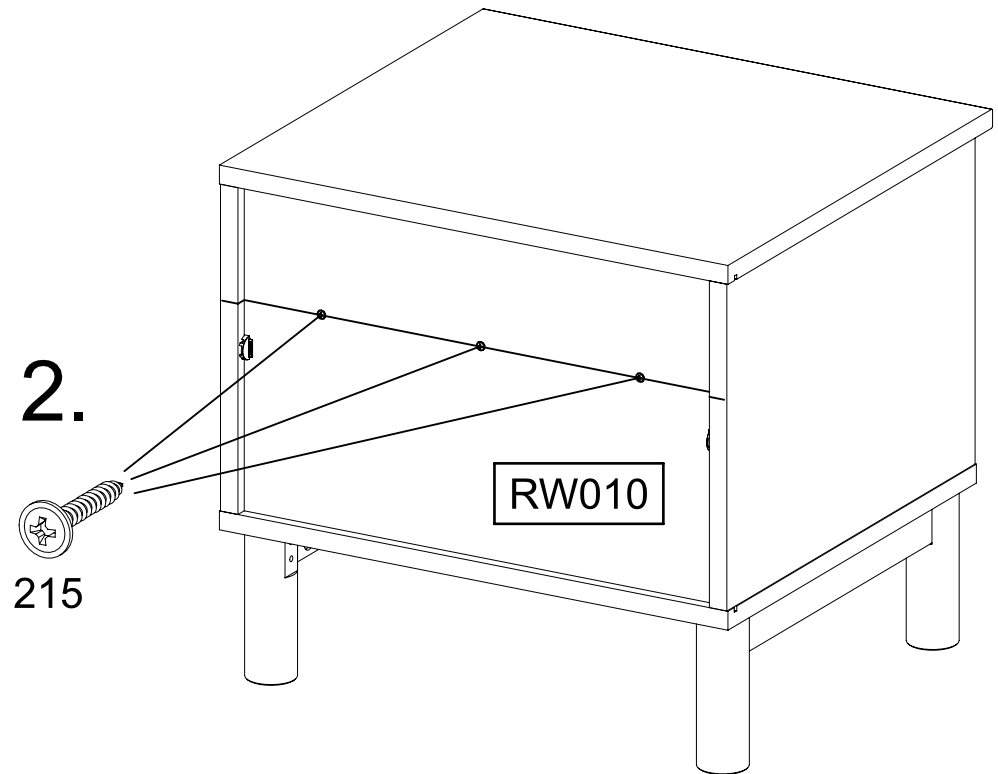
3x20



1.



2.



215

25

2x

568

M4x9

