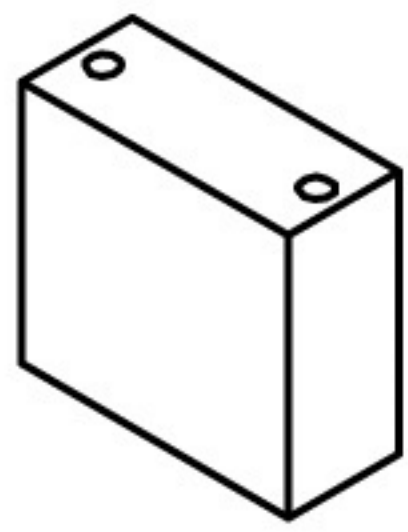
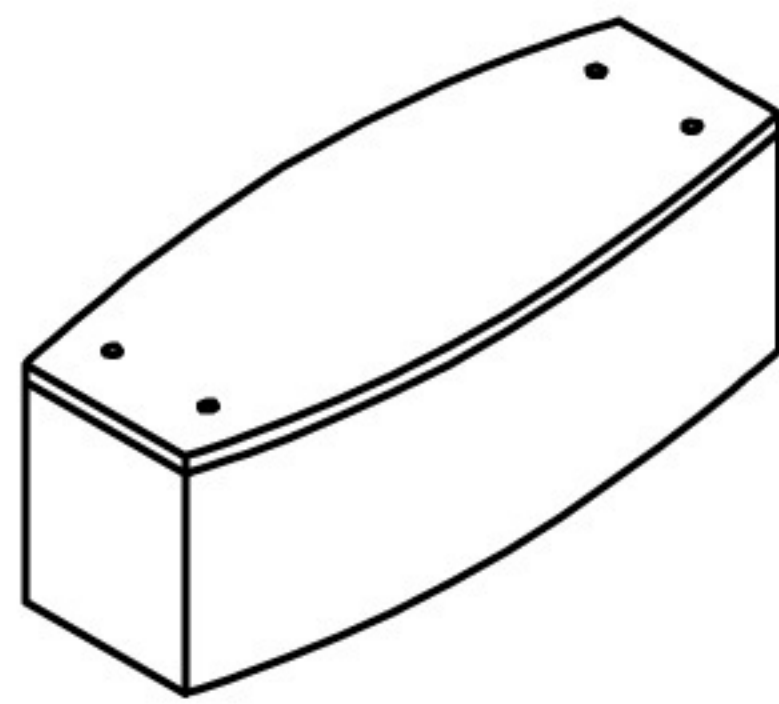


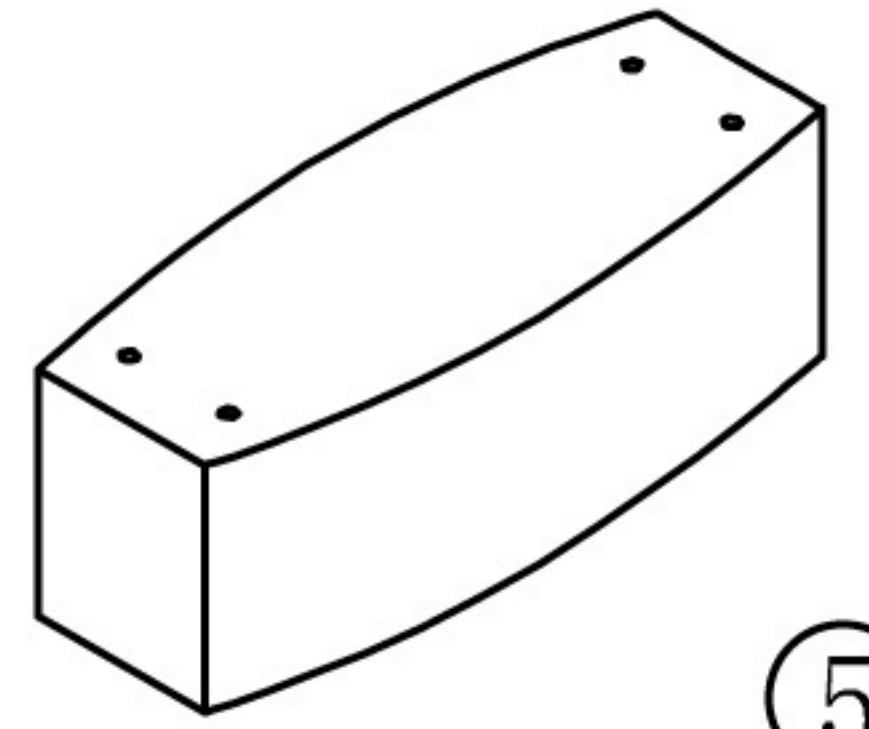
① x1



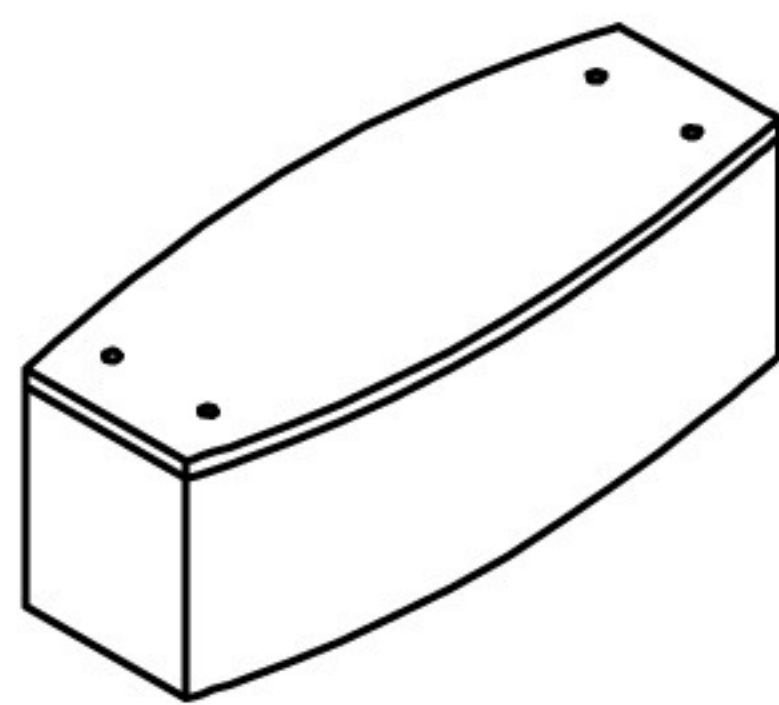
② x2



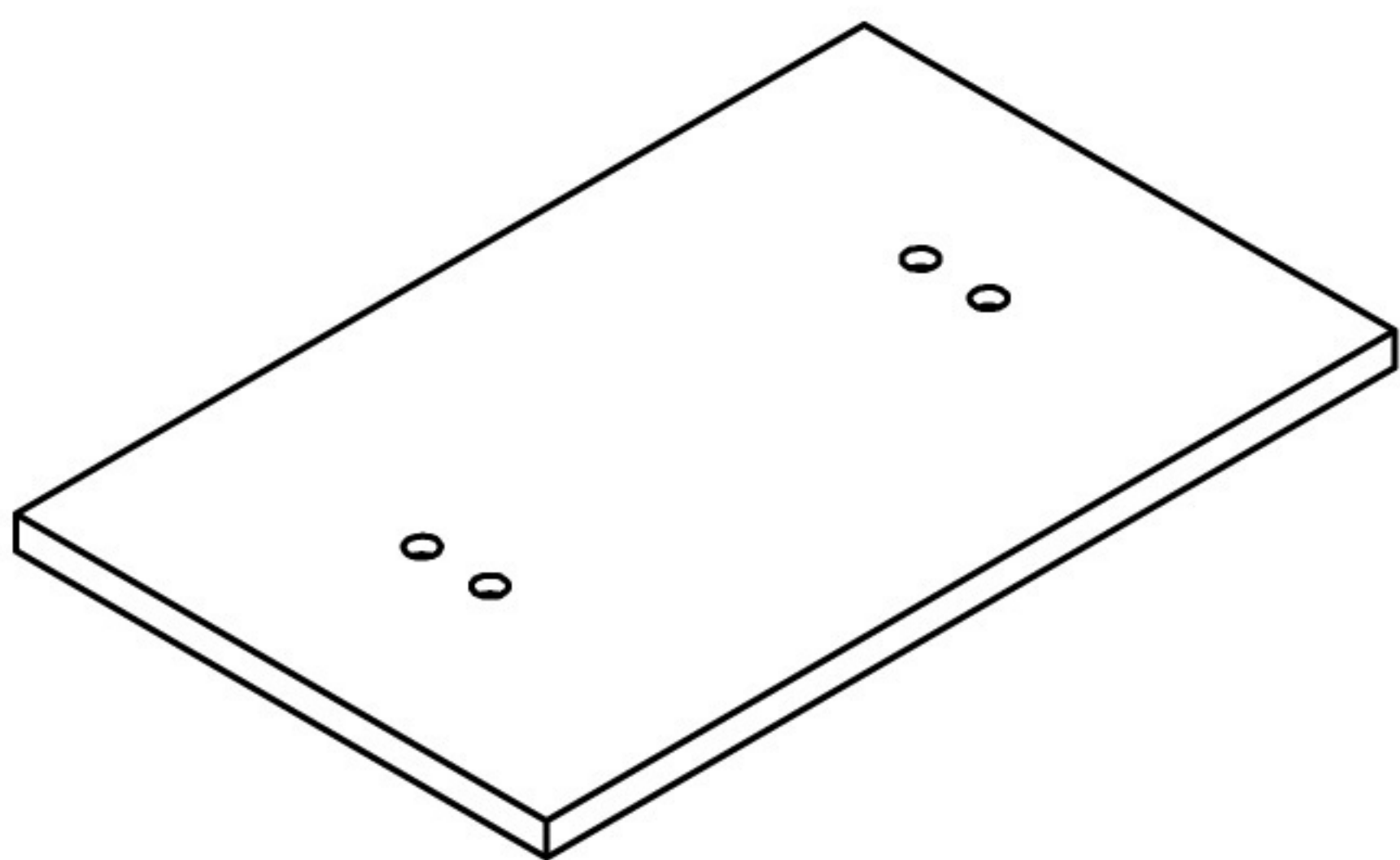
④ x2



⑤ x1

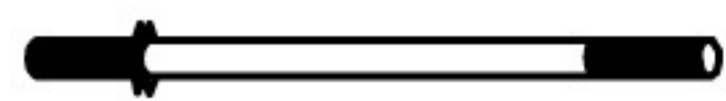


③ x1

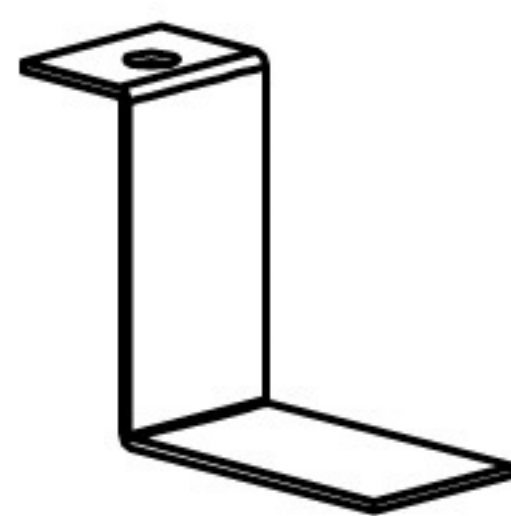


⑥ x1

A (M8x690mm) x4



Bx2



C (M6x16) x2



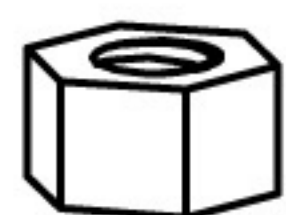
D (M4) x1



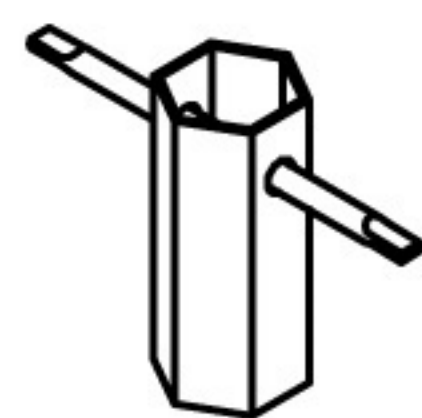
E (∅22x1.5mm) x4



F (M8) x4



G (M8) x1



H (M8) x4

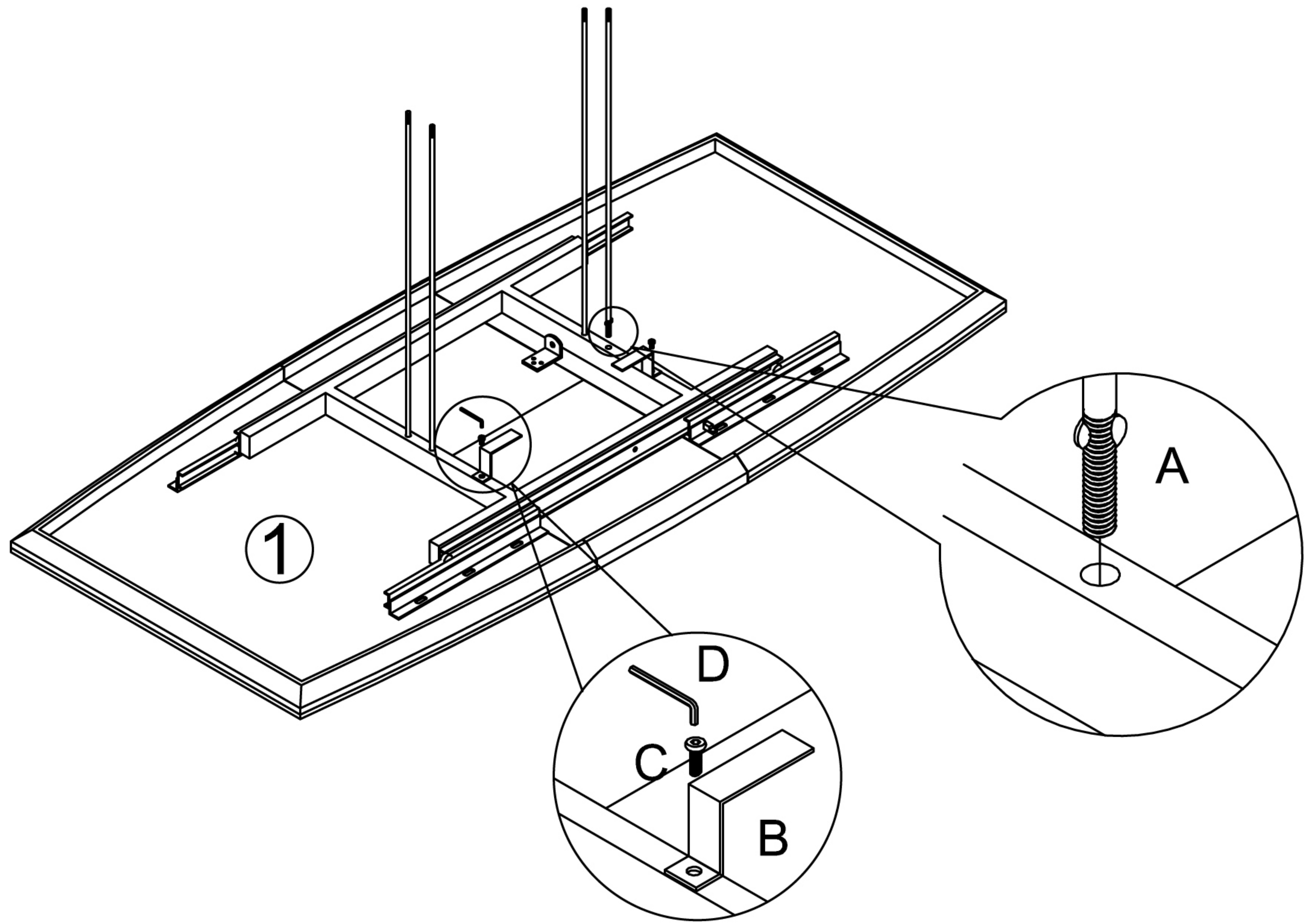


I (M6x15mm) x6

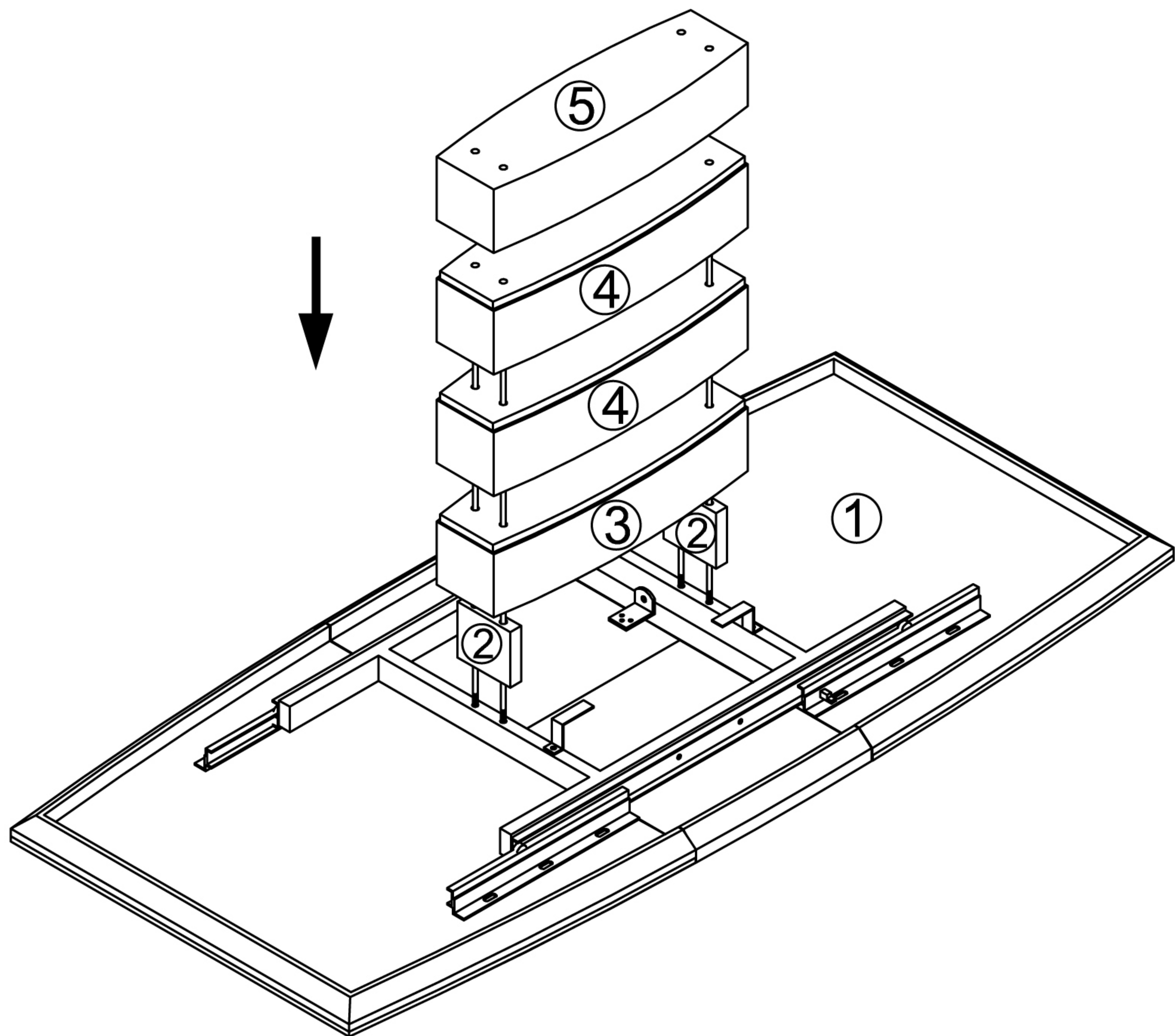


1/4

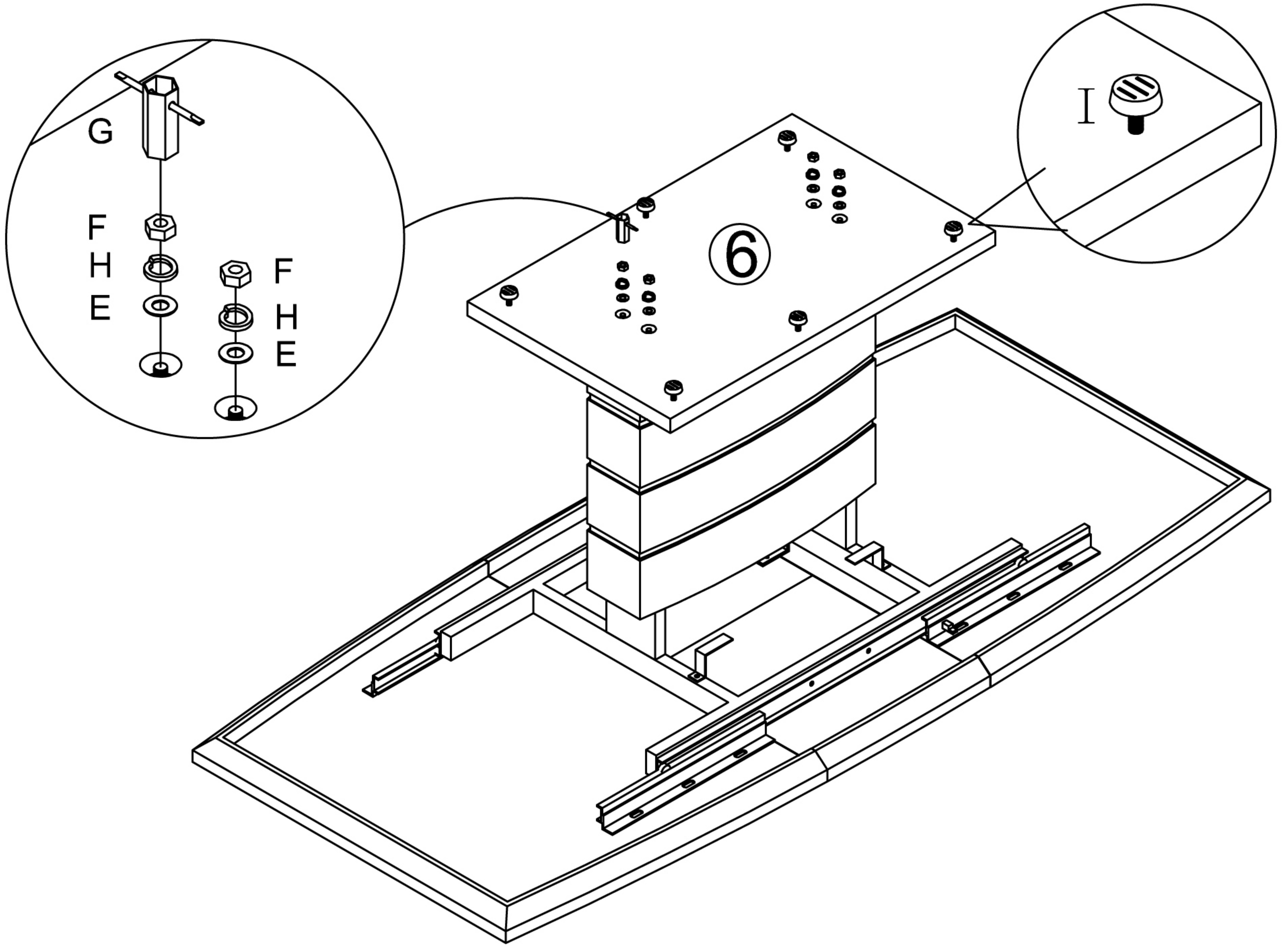
1



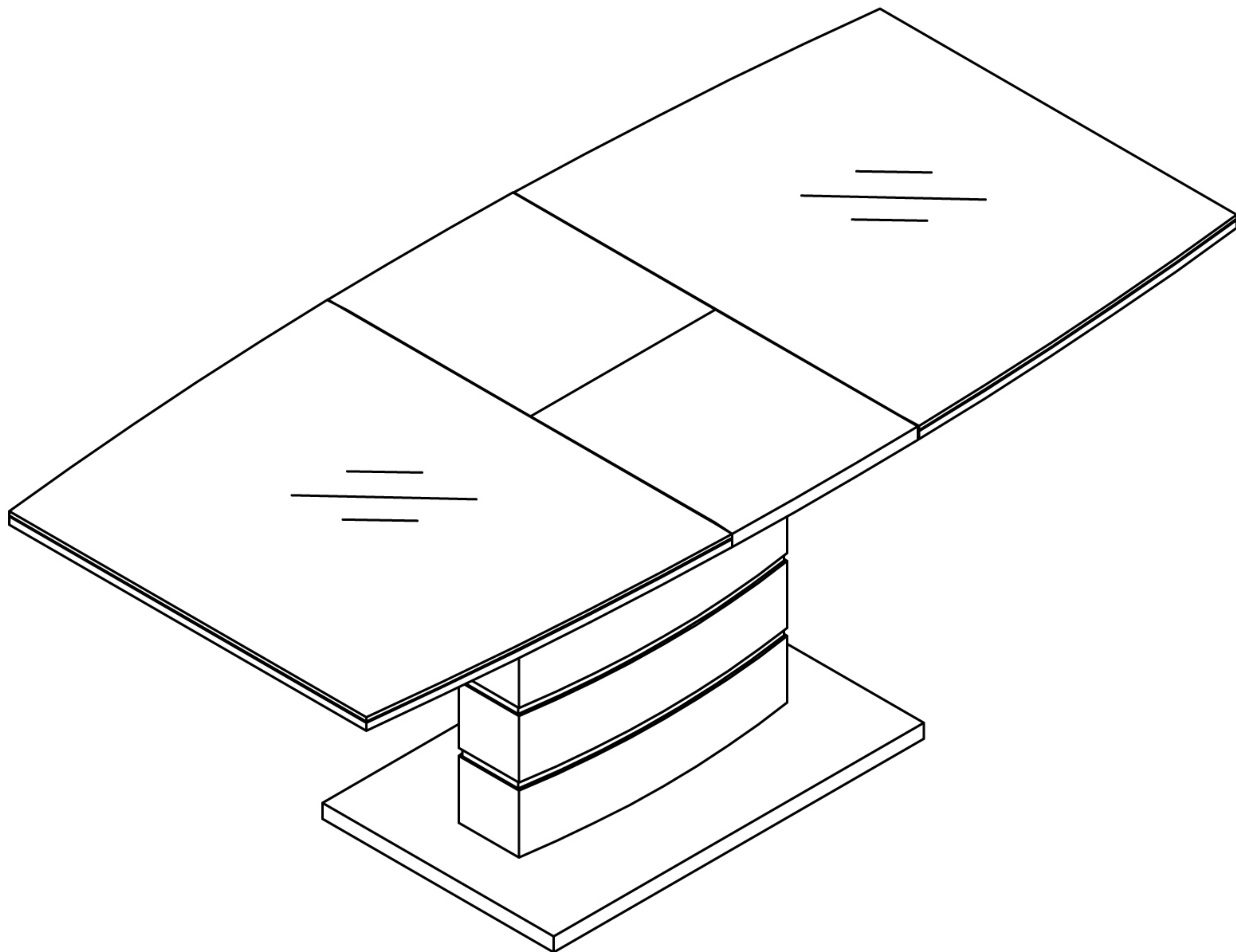
2



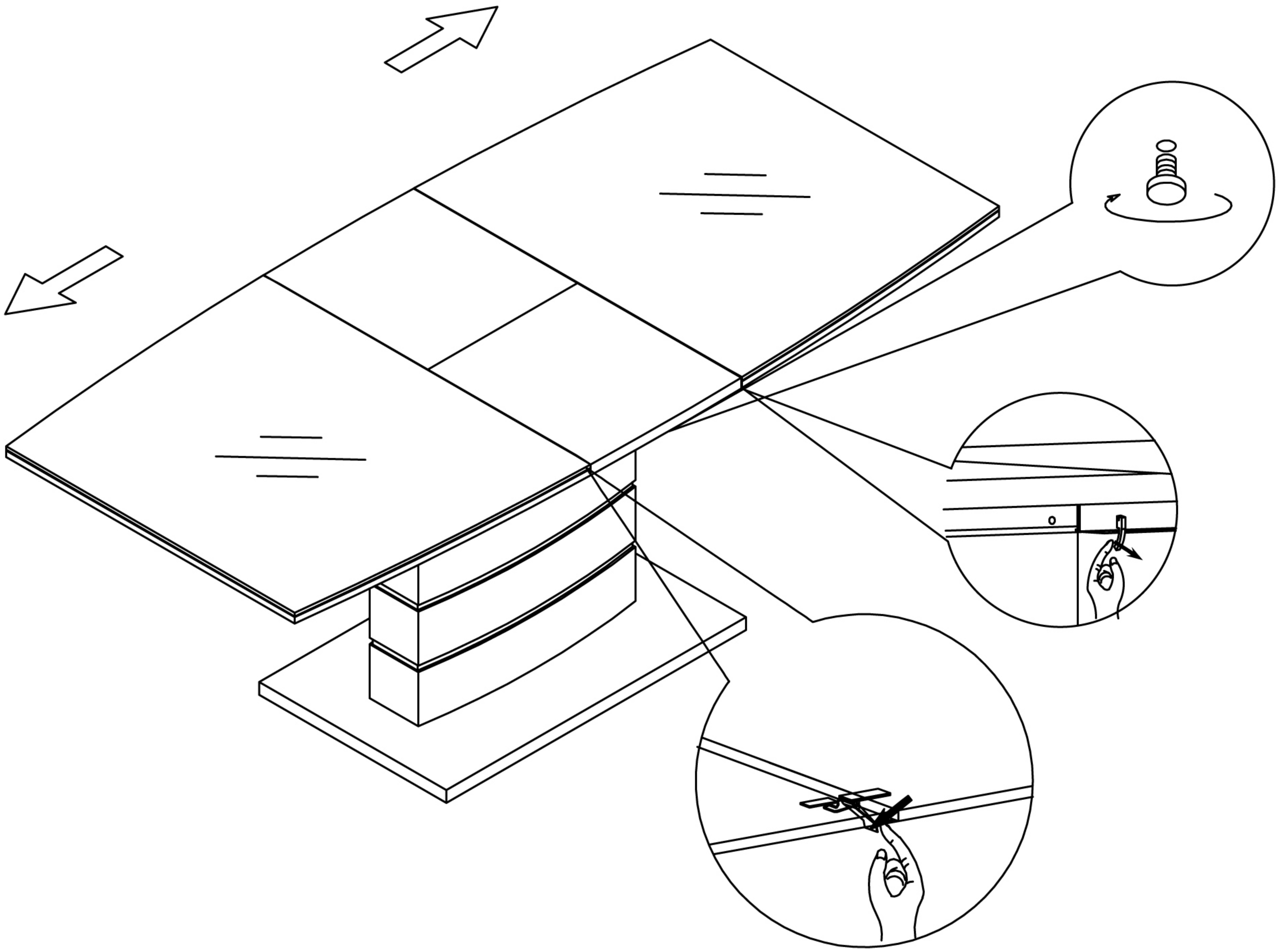
3



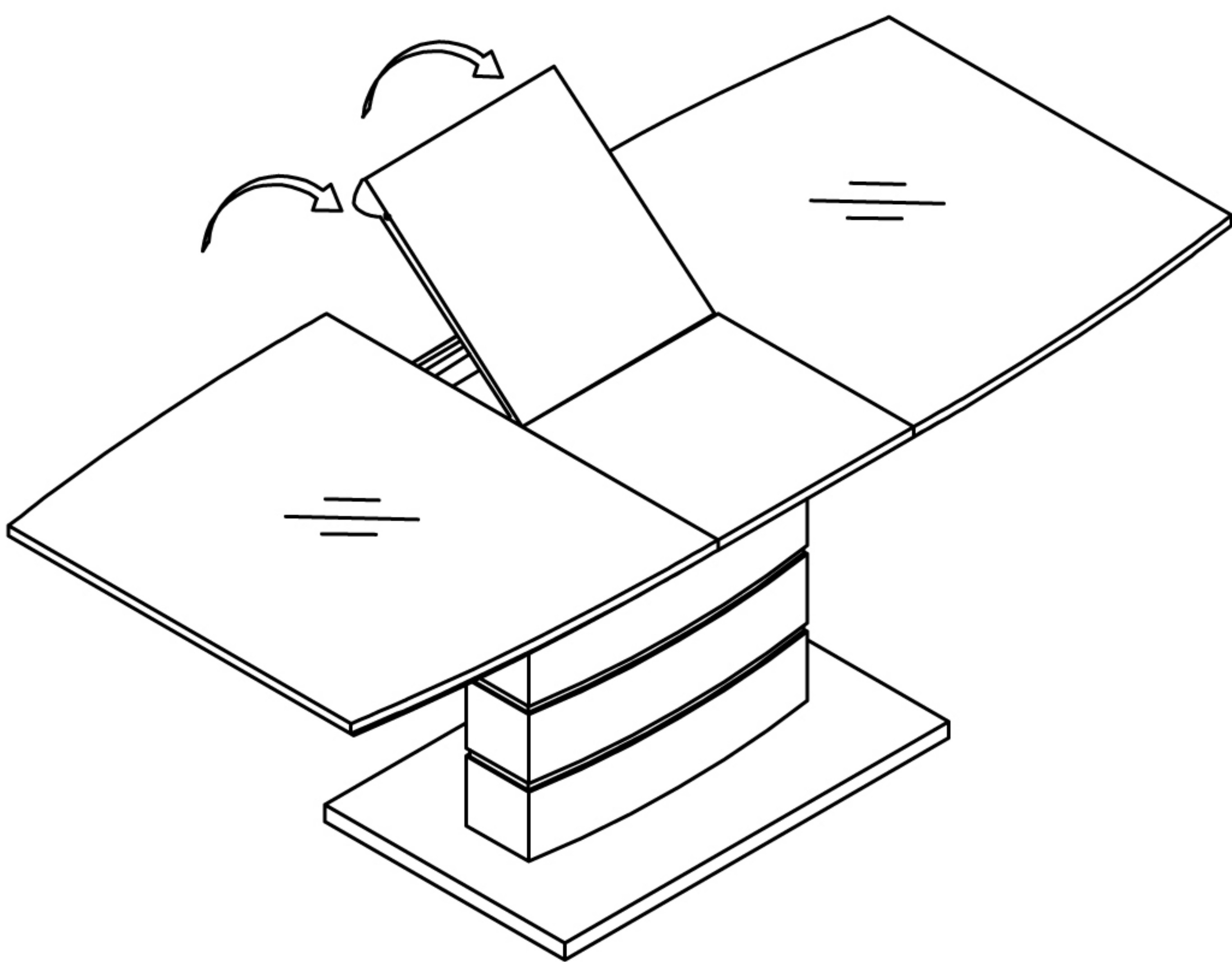
4



5



6



7

